

[54] MULTIPLE LEVEL CHESS BOARD

[76] Inventor: Walter M. Gengler, 800 E. Clinton, Lot #12, Beloit, Kans. 67420

[\*\*] Term: 14 Years

[21] Appl. No.: 30,542

[22] Filed: Mar. 27, 1987

[52] U.S. Cl. .... D21/23

[58] Field of Search ..... D21/14-36; 273/236-287

D. 263,245	3/1982	Bonser	.....	D21/23
1,877,154	9/1932	Weaver	.	
3,399,895	9/1968	Beach	.	
3,781,014	12/1973	Kolwicz	.	
4,179,127	12/1979	Goodman	.	
4,249,740	2/1981	Cheney	.	
4,348,027	9/1982	Escamilla	.	
4,504,060	3/1985	Riihiluoma	.	

Primary Examiner—Louis S. Zarfes  
Assistant Examiner—W. Krawczewicz  
Attorney, Agent, or Firm—Terry M. Gernstein

[57] CLAIM

The ornamental design for multiple level chess board, as shown and described.

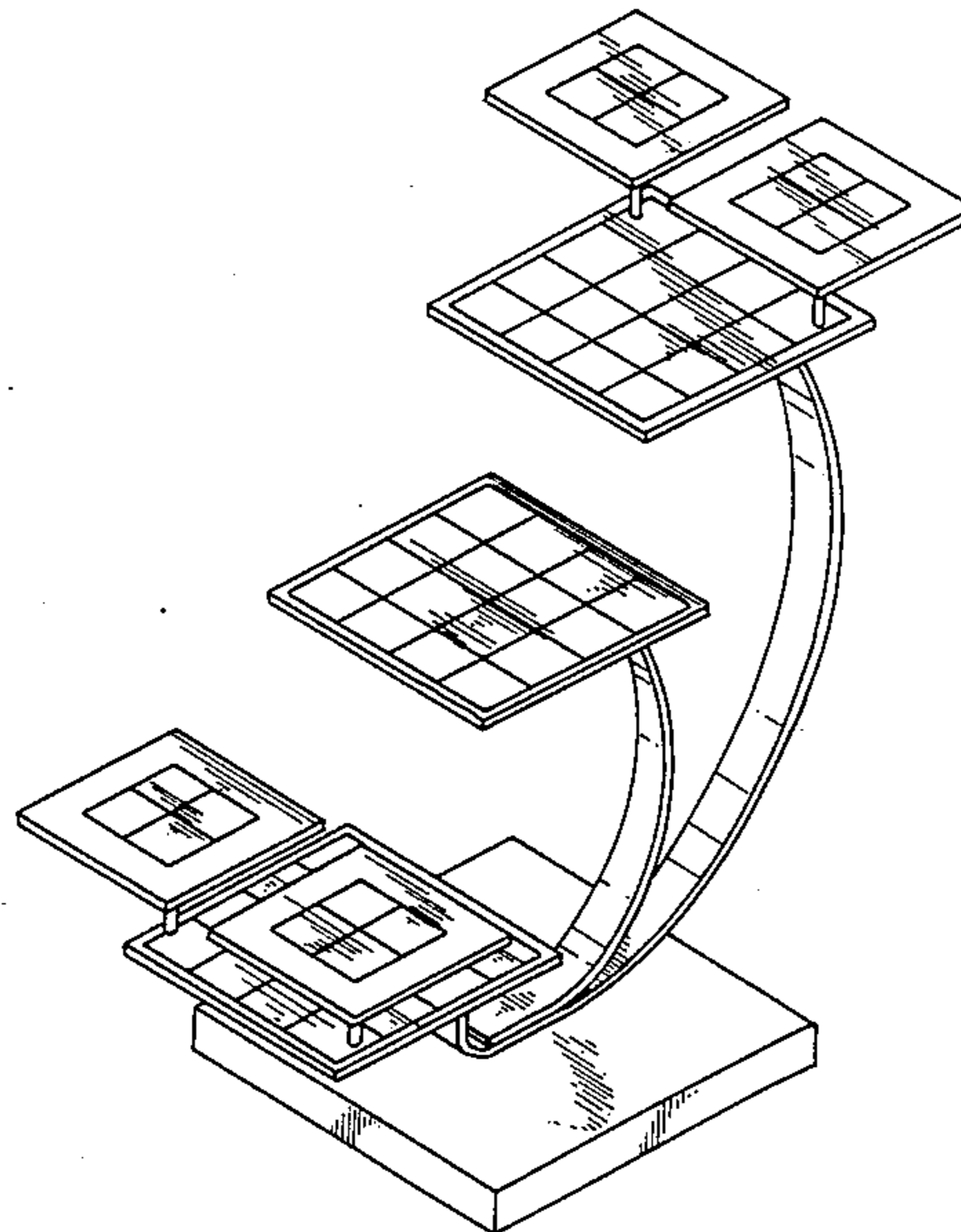
[56] References Cited

U.S. PATENT DOCUMENTS

D. 200,109	1/1965	Hirsch	.....	D21/23
D. 210,542	3/1968	Stokey	.	
D. 215,103	9/1969	Stevens	.	
D. 219,155	11/1970	Gibbon, Jr.	.....	D21/23
D. 226,669	4/1973	Culver	.....	D21/23
D. 242,271	11/1976	Harvey	.	

DESCRIPTION

FIG. 1 is an isometric view of a multiple level chess board showing my new design;  
FIG. 2 is a typical side view thereof;  
FIG. 3 is a top view thereof; and  
FIG. 4 is a typical end view thereof.



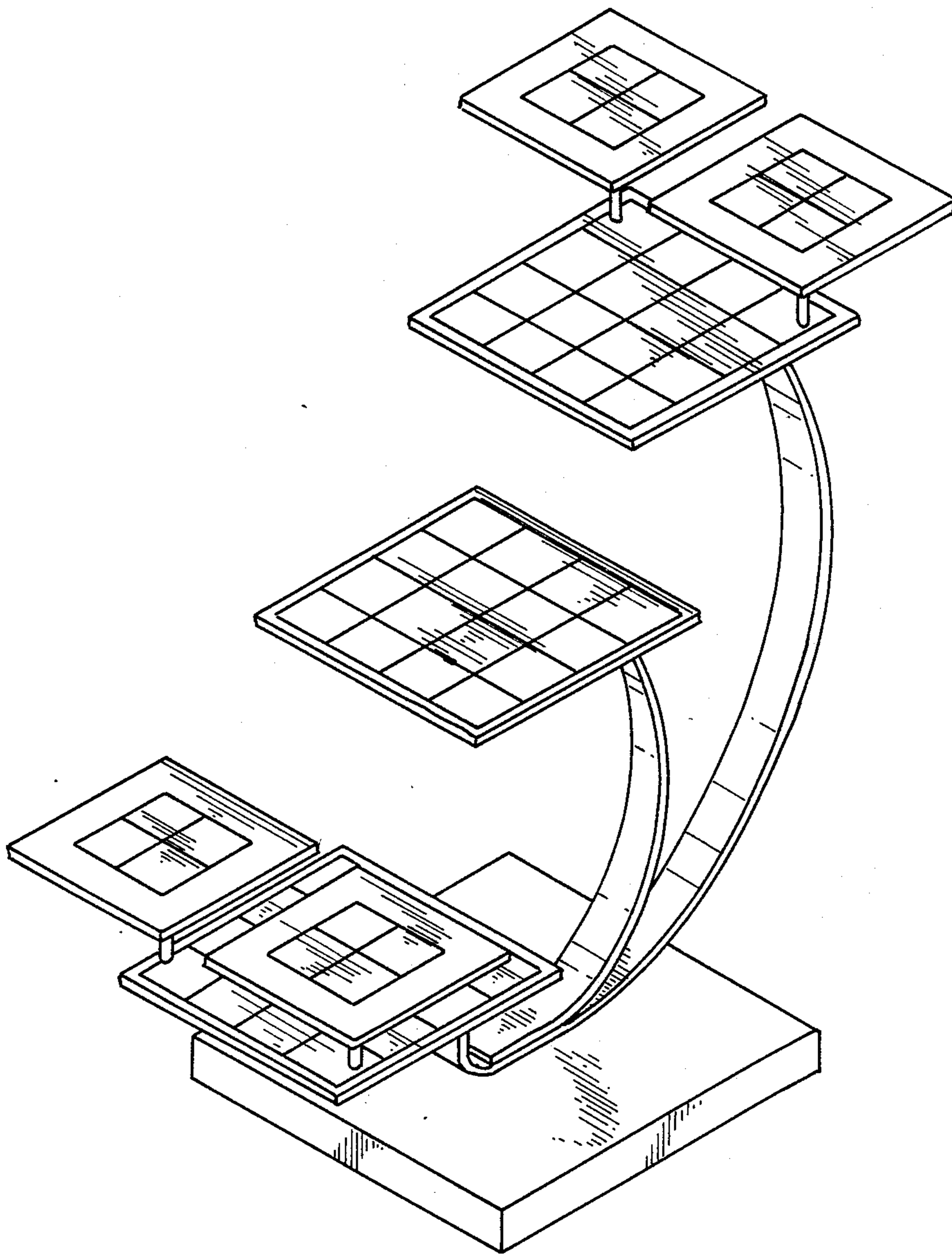


Fig. 1

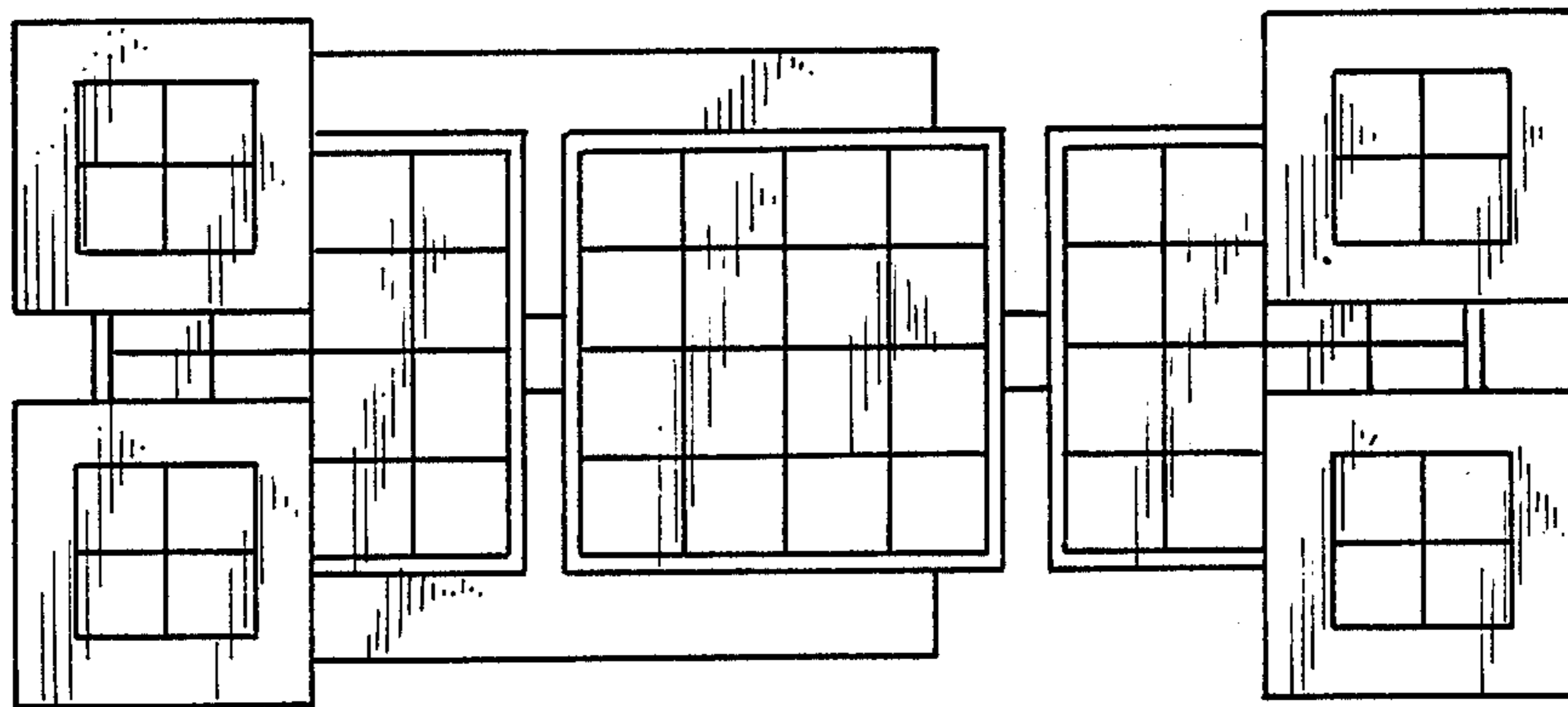
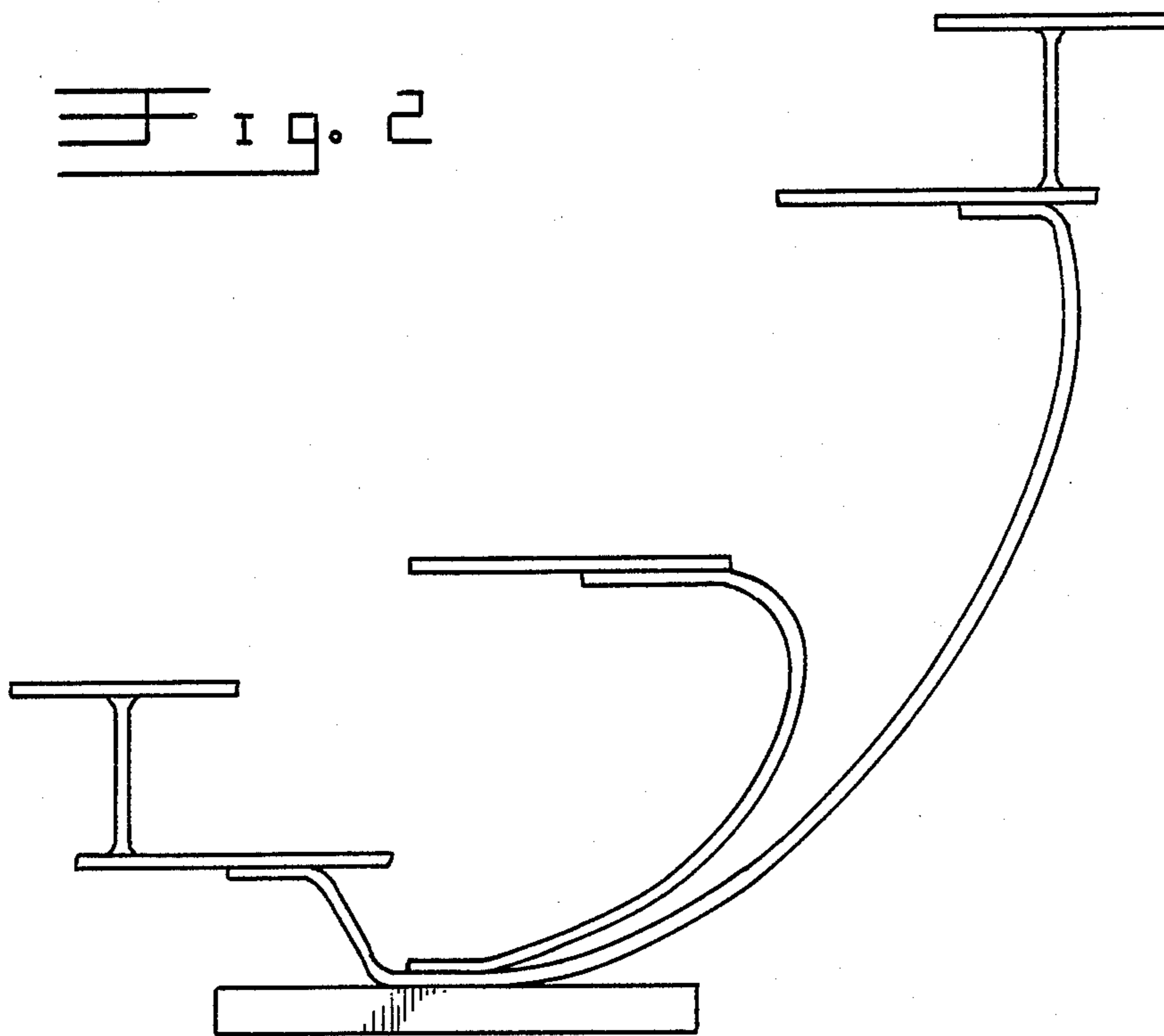


Fig. 3

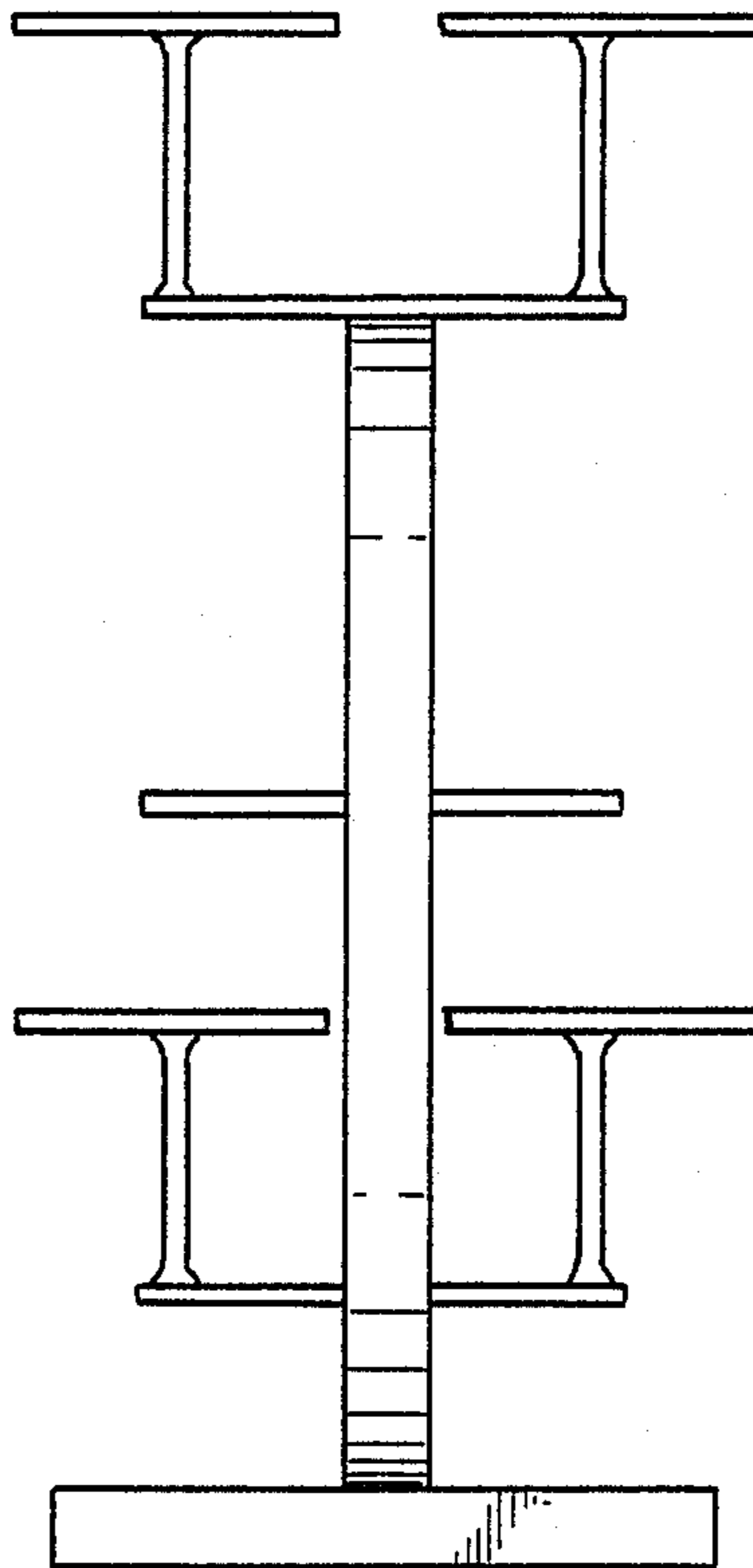


Fig. 4