

[54] **ILLUMINATED SIGN**

[76] **Inventor: Scott A. Hunter, 7922 Elden Ave., Whittier, Calif. 90602**

[\*\*] **Term: 14 Years**

[21] **Appl. No.: 76,552**

[22] **Filed: Jul. 22, 1987**

[52] **U.S. Cl. .... D20/10**

[58] **Field of Search ..... D20/10, 15, 39; 362/812; 40/584, 541, 564, 572**

[56] **References Cited**

**U.S. PATENT DOCUMENTS**

D. 116,605	9/1939	Houle	.....	D20/10
1,707,965	4/1929	Scantlebury	.....	362/812
2,551,622	5/1951	Mohr	.....	362/812
2,564,110	8/1951	Howenstine et al.	.....	362/812
2,566,458	9/1951	Macau	.....	362/812

2,833,072 5/1958 Gregogy ..... 40/591

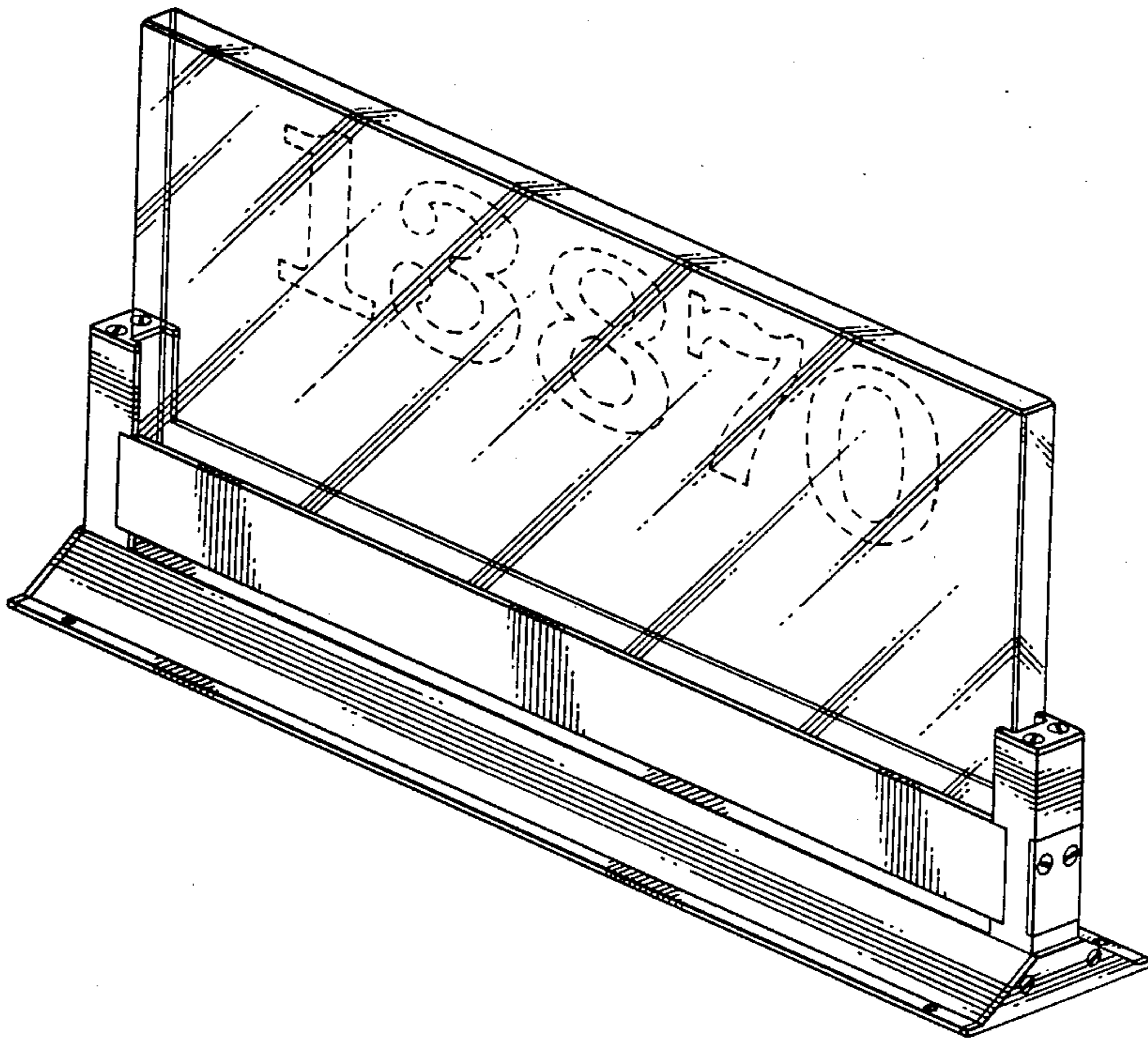
*Primary Examiner*—Susan J. Lucas  
*Assistant Examiner*—Marcus Jackson  
*Attorney, Agent, or Firm*—Richard F. Carr; Richard L. Gausewitz; Allan Rothenberg

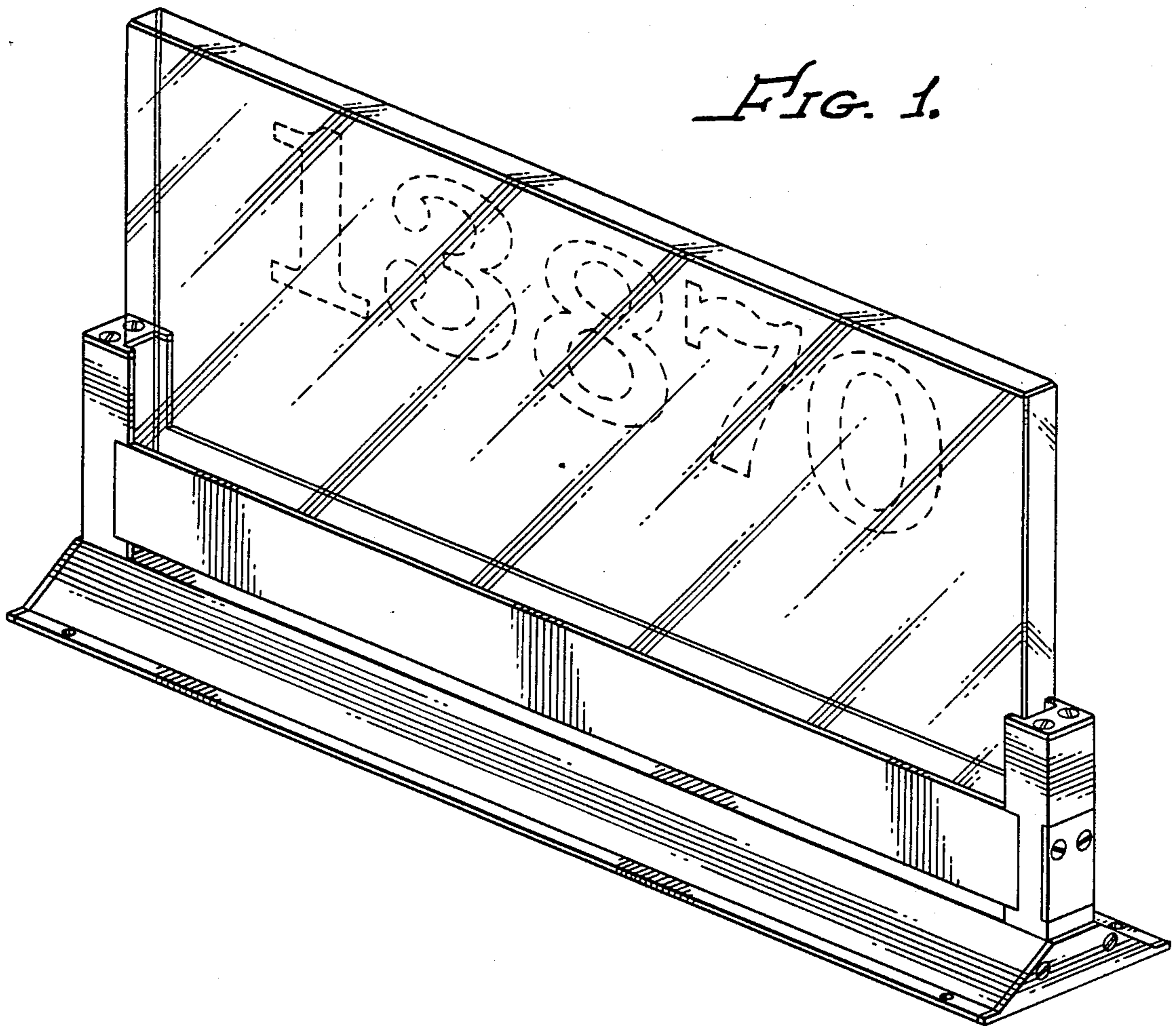
[57] **CLAIM**

The ornamental design for an illuminated sign, as shown and described.

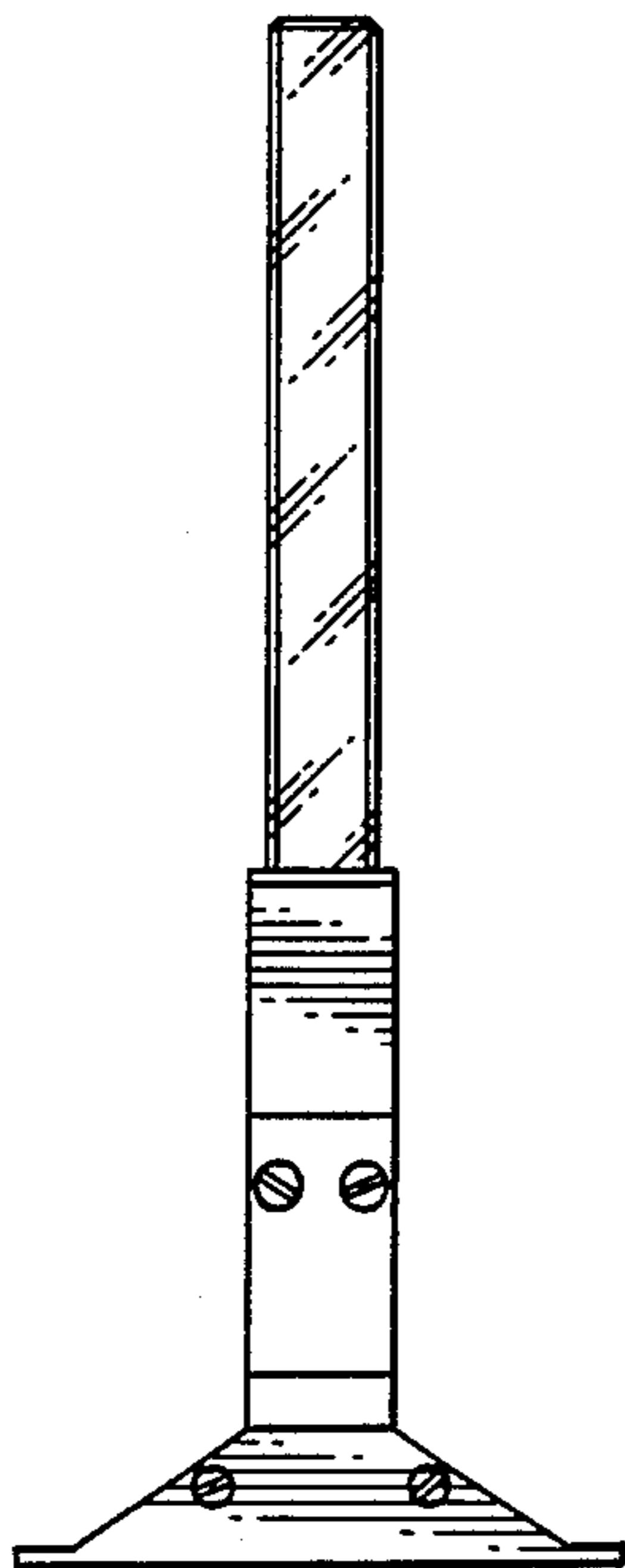
**DESCRIPTION**

FIG. 1 is a perspective view of an illuminated sign showing my new design;  
FIG. 2 is a right side elevational view thereof;  
FIG. 3 is a rear elevational view thereof; and  
FIG. 4 is a sectional view taken along line 4—4 of FIG. 3.  
The broken lines showing the numbers are for illustrative purposes only and form no part of the claimed design.





*FIG. 1.*



*FIG. 2.*

FIG. 4.

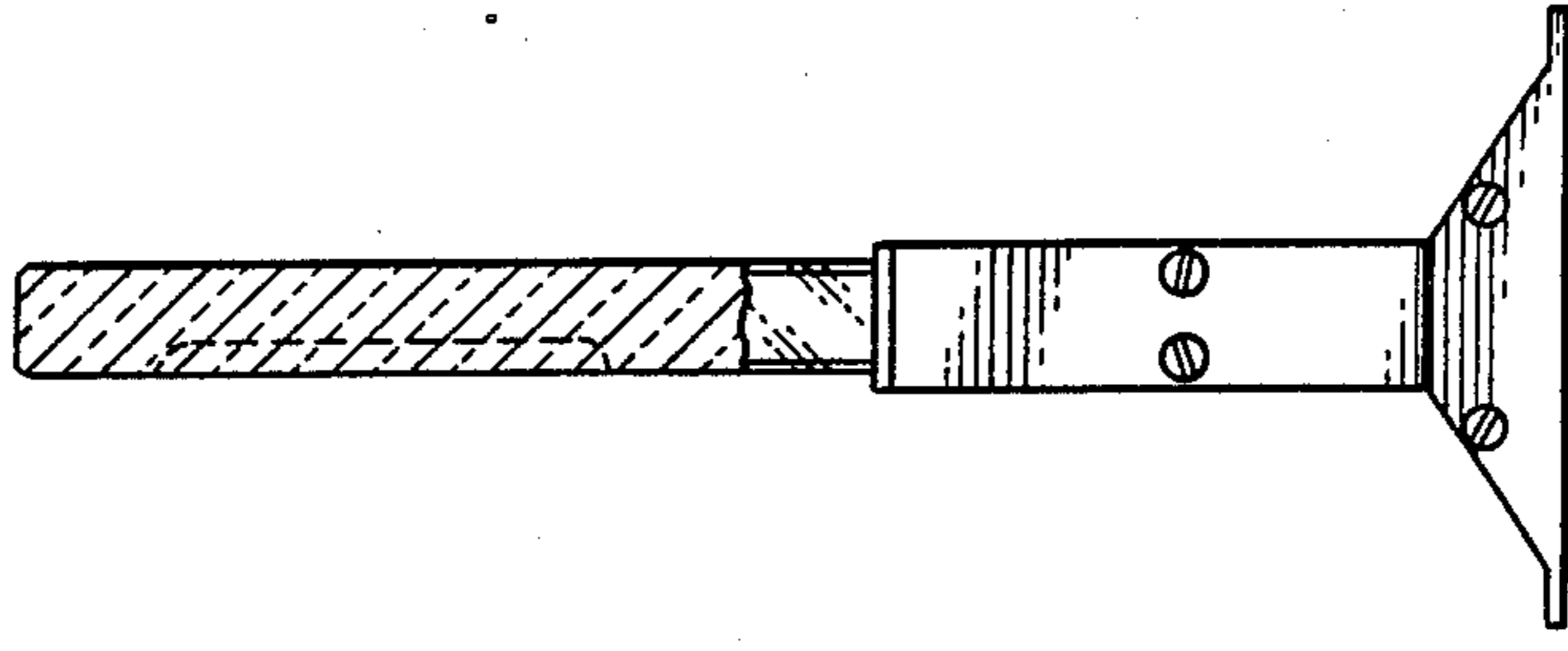


FIG. 3.

