

United States Patent [19]
O'Keefe

[11] **Patent Number: Des. 308,540**

[45] **Date of Patent: ** Jun. 12, 1990**

[54] **TYPEWRITER RIBBON RE-INKER**

[76] **Inventor: Richard O'Keefe, 3833 Monsols,
Florissant, Mo. 63034**

[**] **Term: 14 Years**

[21] **Appl. No.: 889,075**

[22] **Filed: Jul. 24, 1986**

[52] **U.S. Cl. D18/99**

[58] **Field of Search D18/12, 99; 101/96,
101/107, 332, 336; 400/197, 200, 201, 202,
202.1, 202.2, 202.4**

3,983,840 10/1976 Francis 400/197
4,126,715 11/1978 Schiffmacher 400/197
4,268,368 5/1981 Aviram 400/197
4,690,576 9/1987 Cory 400/200

Primary Examiner—Nelson C. Holtje
Assistant Examiner—Caron D. Veynar
Attorney, Agent, or Firm—Terry M. Gernstein

[57] **CLAIM**

The ornamental design for a typewriter ribbon re-inker, as shown and described.

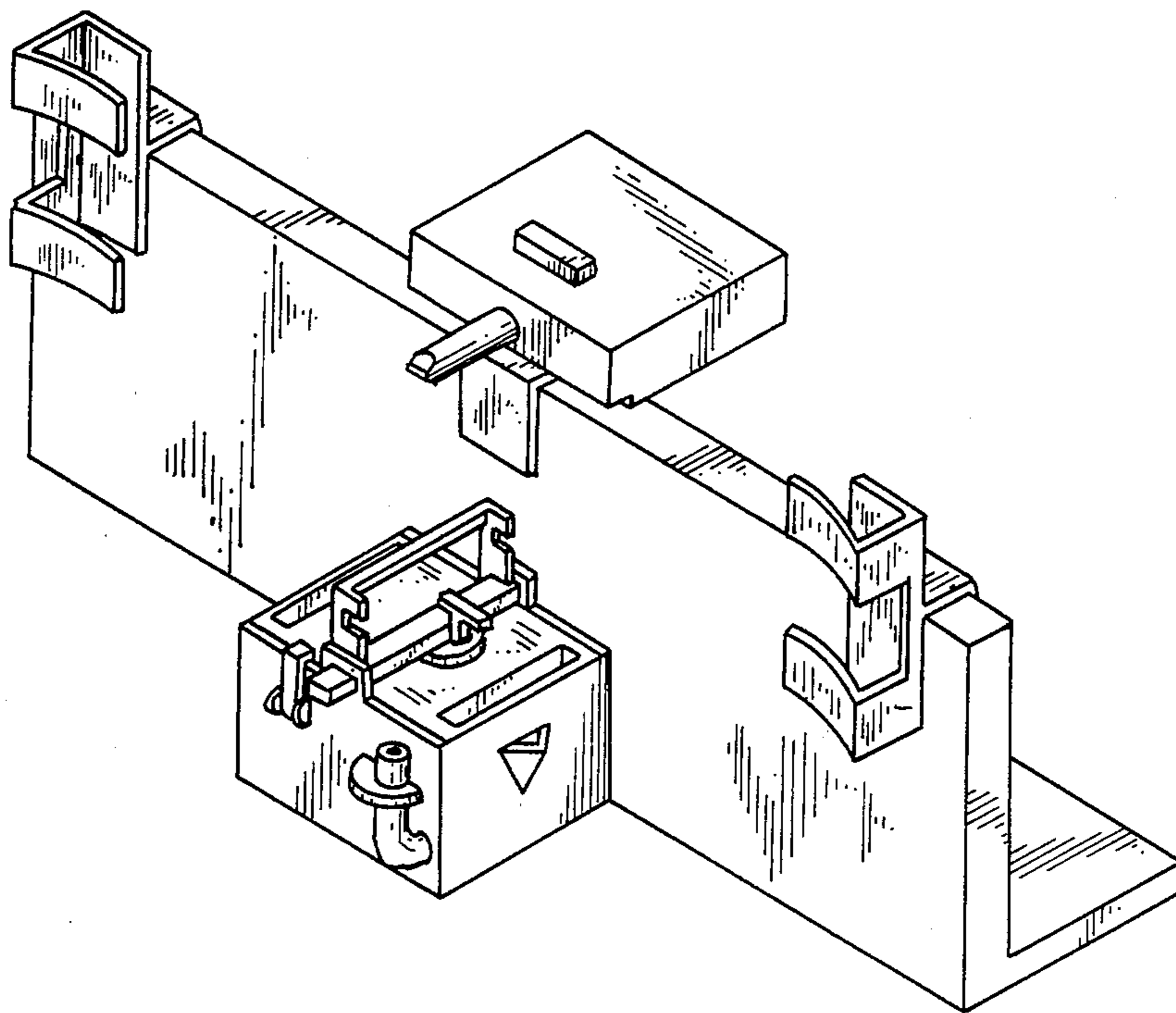
DESCRIPTION

FIG. 1 is a perspective view of a typewriter ribbon re-inker showing my new design;
FIG. 2 is a rear elevational view thereof;
FIG. 3 is a right side elevational view thereof.

[56] **References Cited**

U.S. PATENT DOCUMENTS

1,636,573 7/1927 Neidich 400/197



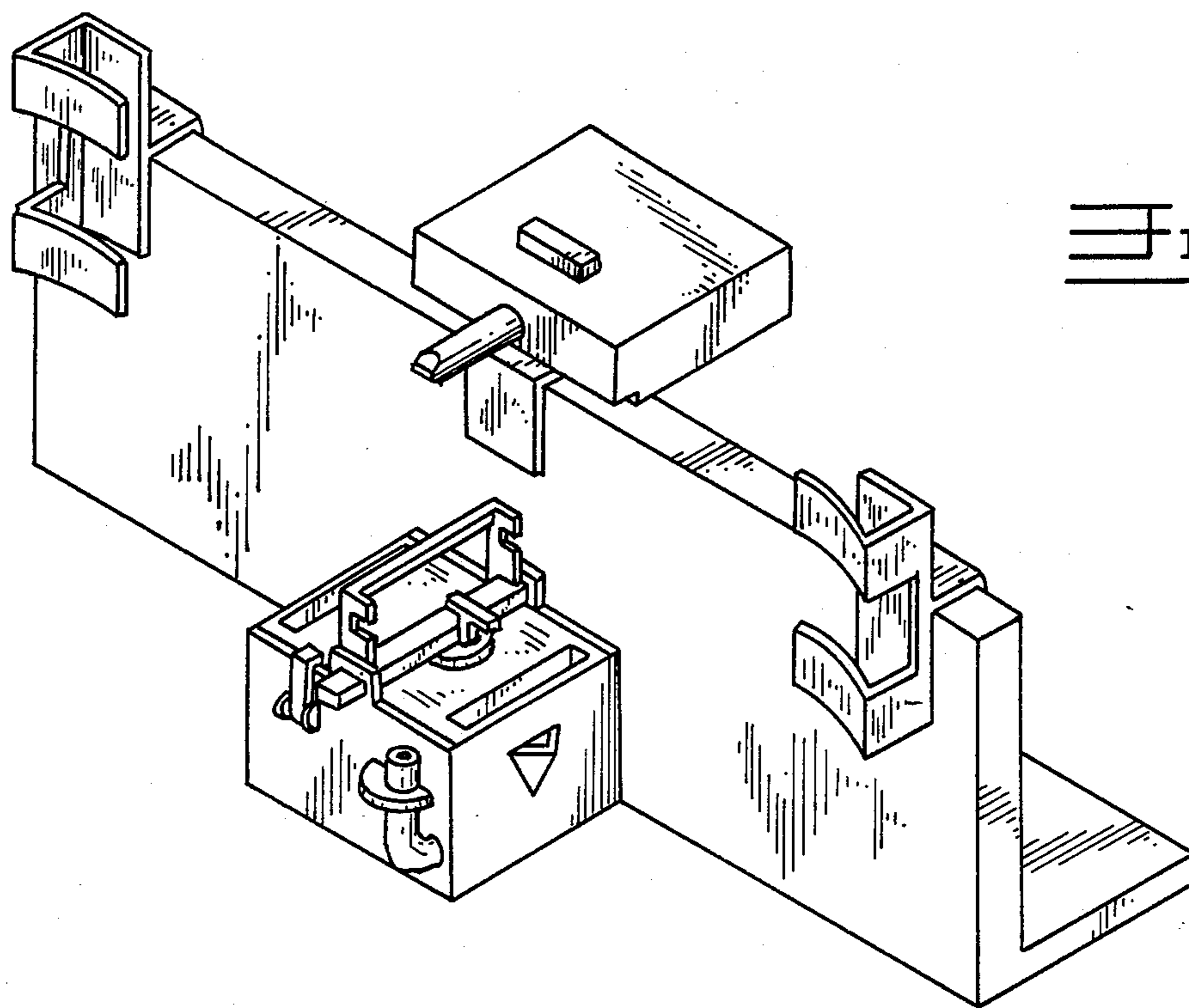


Fig. 1

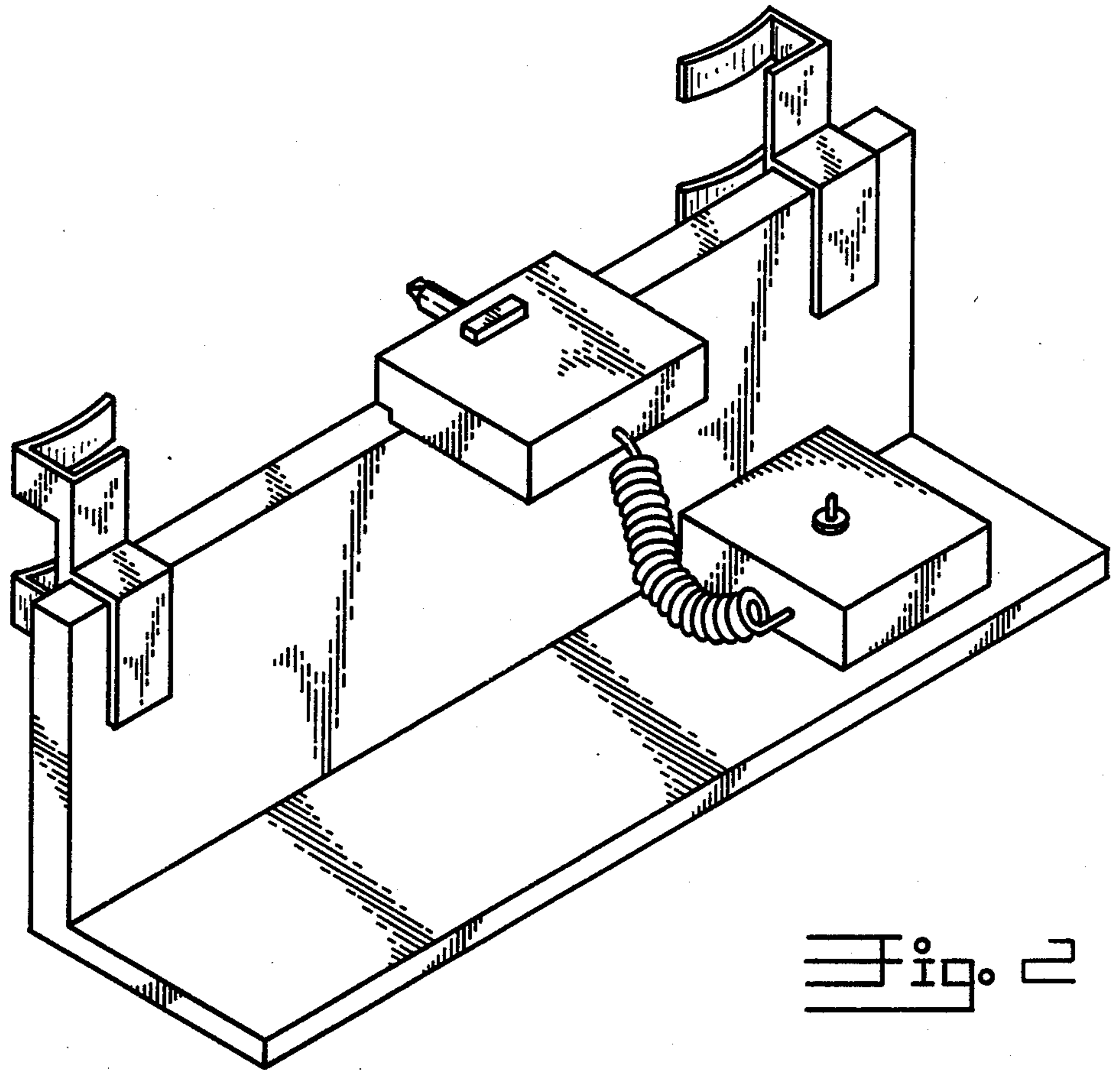


Fig. 2

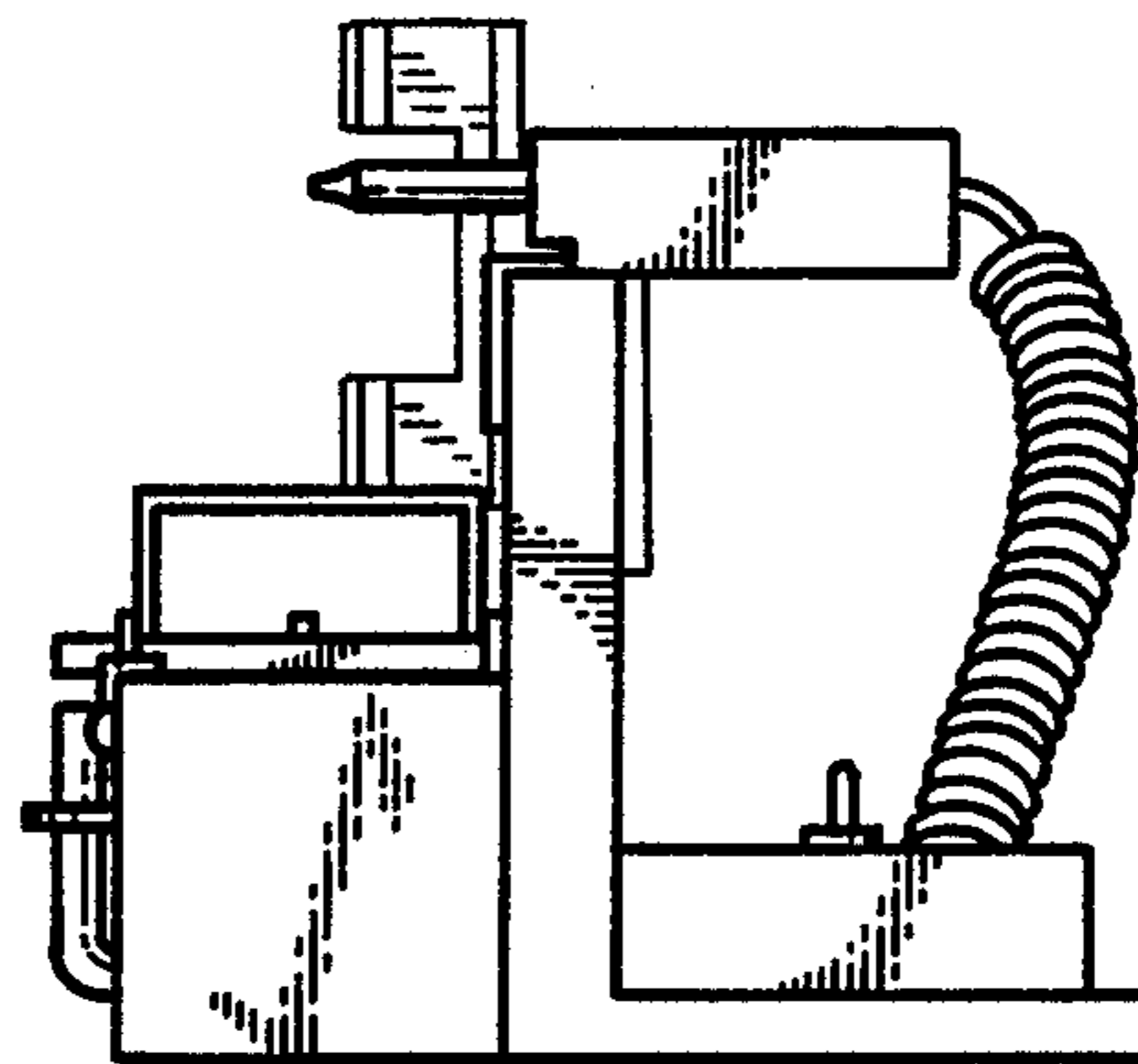


Fig. 3