

[54] **TYPEWRITER**
[75] **Inventor: Robert L. Kasprzycki, Pompey, N.Y.**
[73] **Assignee: Smith Corona Corporation, Cortland, N.Y.**
[**] **Term: 14 Years**
[21] **Appl. No.: 100,134**
[22] **Filed: Sep. 23, 1987**
[52] **U.S. Cl. D18/1**
[58] **Field of Search D18/1, 2, 3, 7, 11; D14/100, 106, 113; 235/145 A, 145 R; 312/208; 340/700, 706, 711, 712; 341/20-23; 364/706-708; 400/109-111, 83, 122, 472, 485, 486, 489, 690.2-694**

[56] **References Cited**
U.S. PATENT DOCUMENTS
D. 289,177 4/1987 Sawada D18/7
D. 291,442 8/1987 Kurihara D18/1
D. 293,678 1/1988 Sawatani et al. D14/106
D. 303,250 9/1989 Ver Nooy D14/106
4,298,773 11/1981 Diab 400/111 X
4,739,316 4/1988 Yamaguchi et al. 340/711

4,781,422 11/1988 Kimble 312/208 X

FOREIGN PATENT DOCUMENTS

0007971 1/1986 Japan 364/708
0684172 8/1986 Japan D14/106

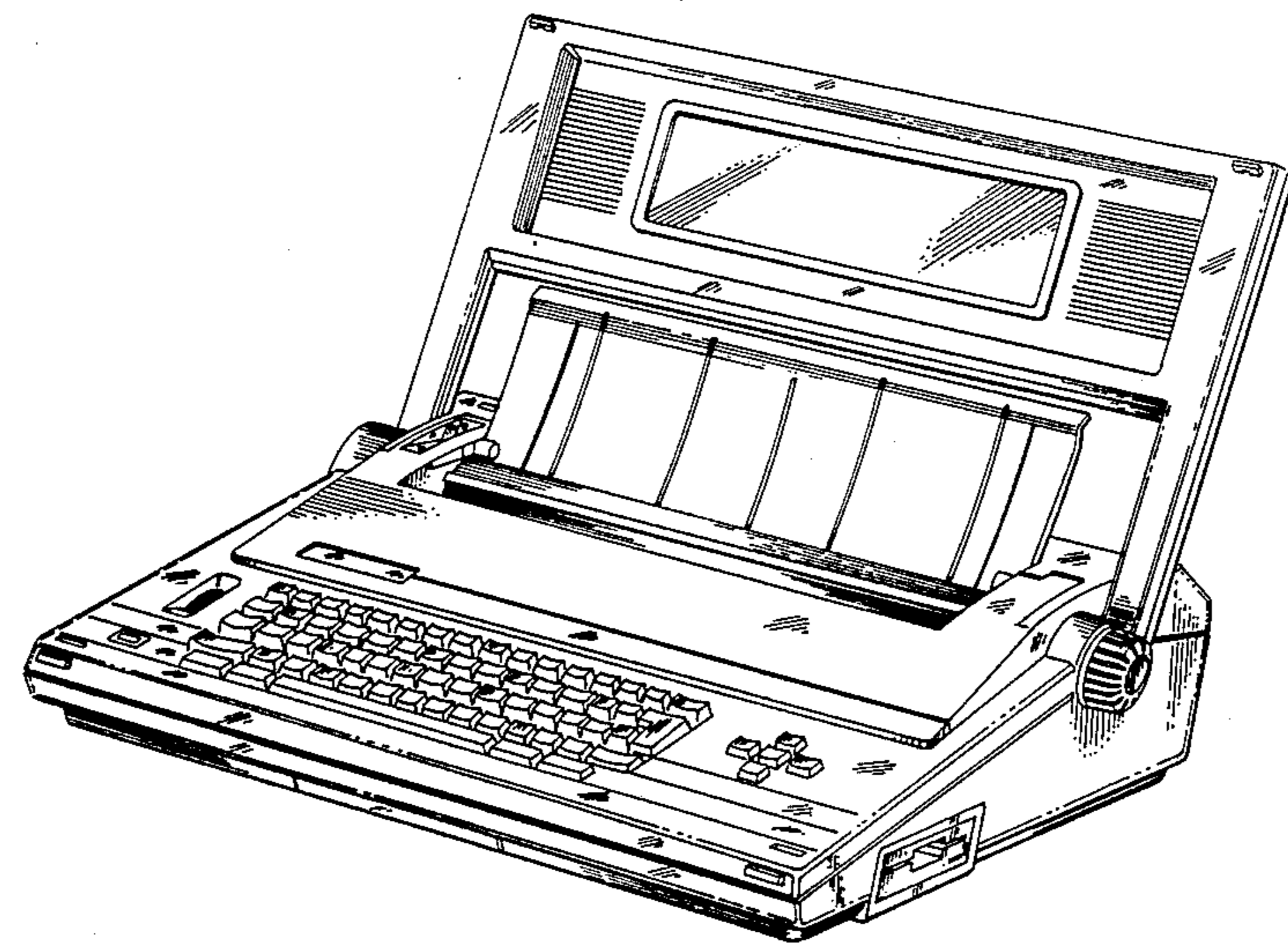
Primary Examiner—Nelson C. Holtje
Assistant Examiner—Caron D. Veynar

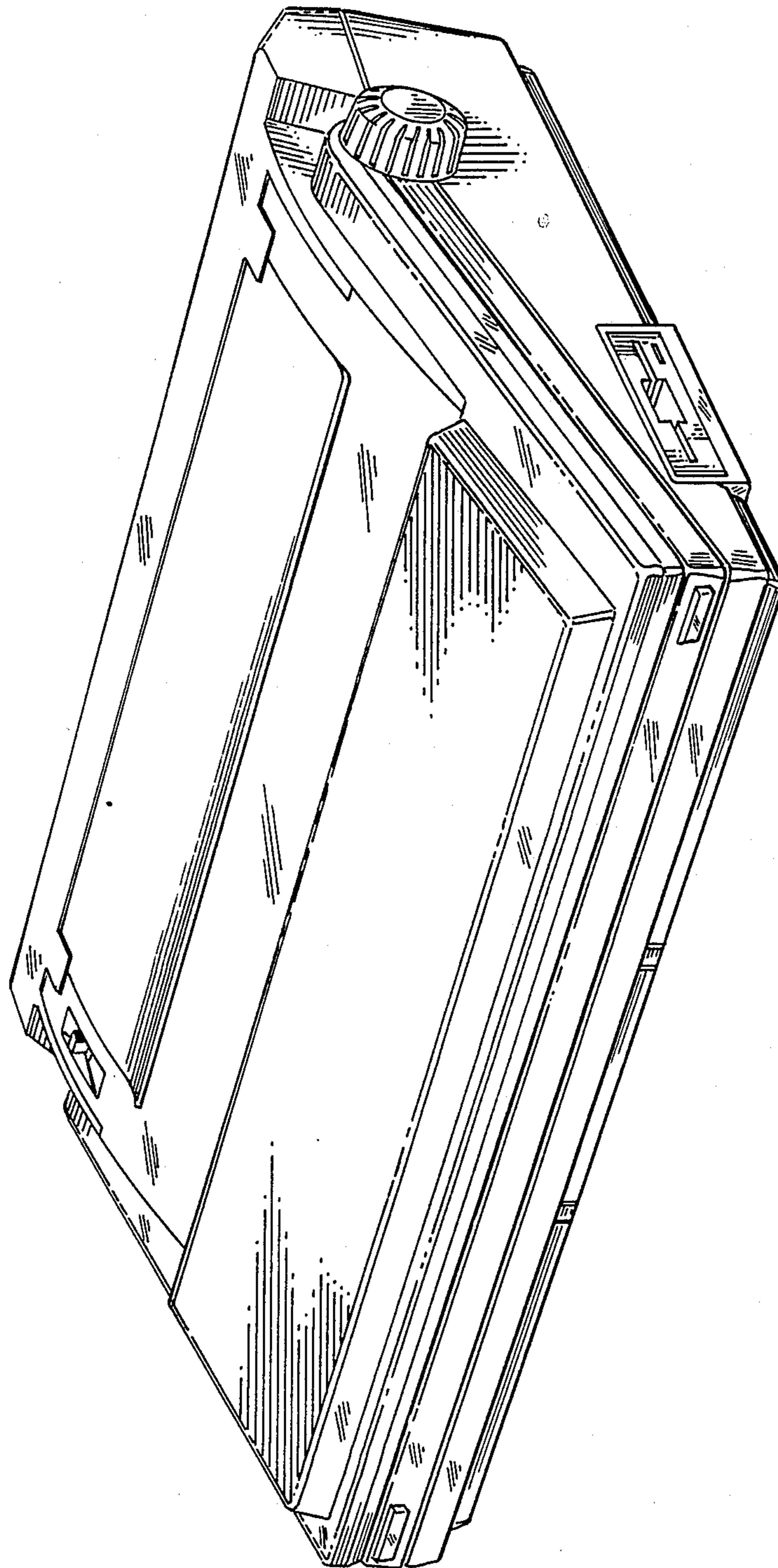
[57] **CLAIM**

The ornamental design for a typewriter, as shown and described.

DESCRIPTION

FIG. 1 is a right, front perspective view of a typewriter showing my new design with the two cover members in the closed position;
FIG. 2 is a top plan view thereof;
FIG. 3 is a front elevational view thereof;
FIG. 4 is a bottom plan view thereof;
FIG. 5 is a rear elevational view thereof;
FIG. 6 is a left side elevational view thereof;
FIG. 7 is a right side elevational view thereof;
FIG. 8 is a right, front perspective view thereof, showing the two cover members in the open position;
FIG. 9 is a left, front perspective view thereof.





1000

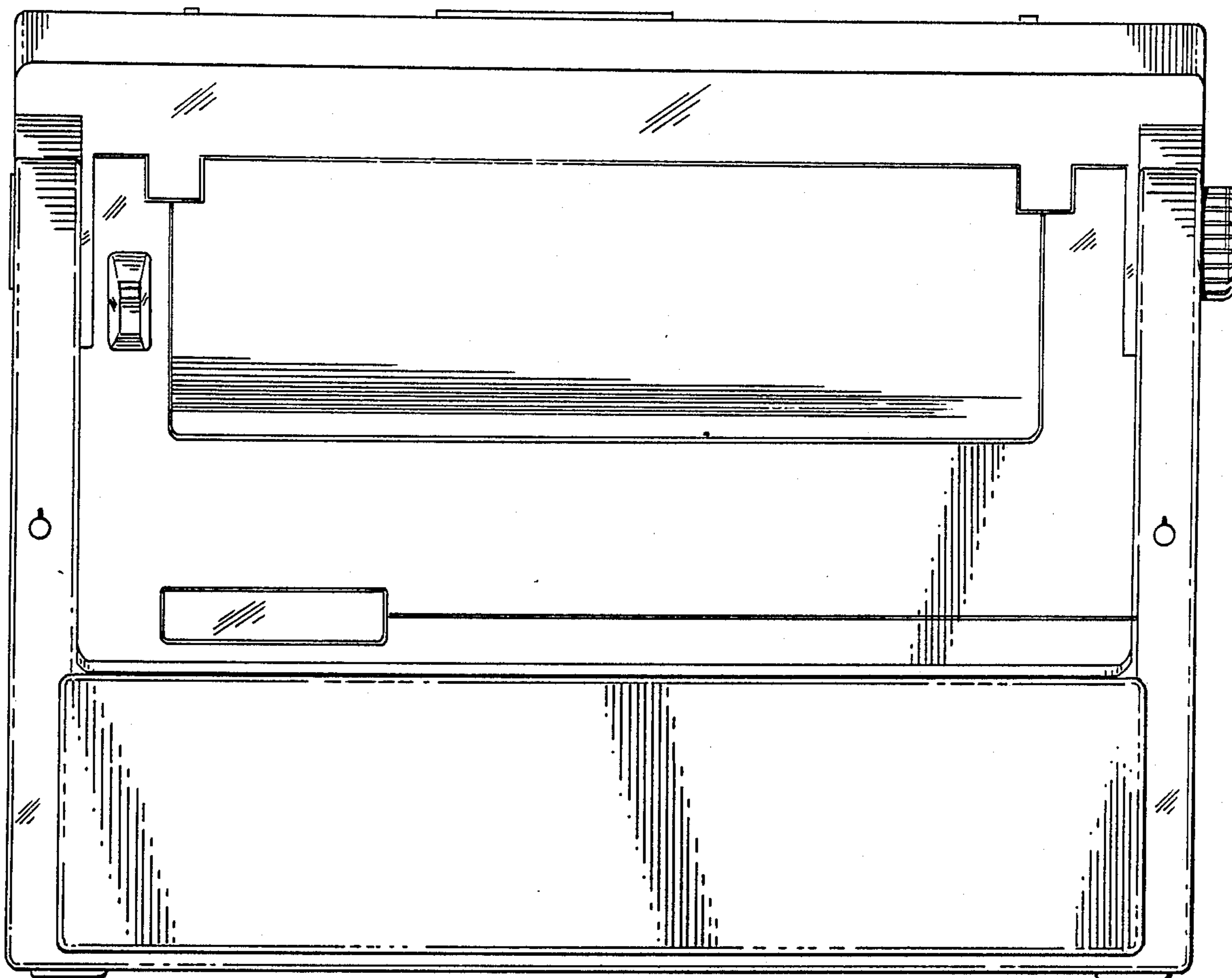


FIG 2

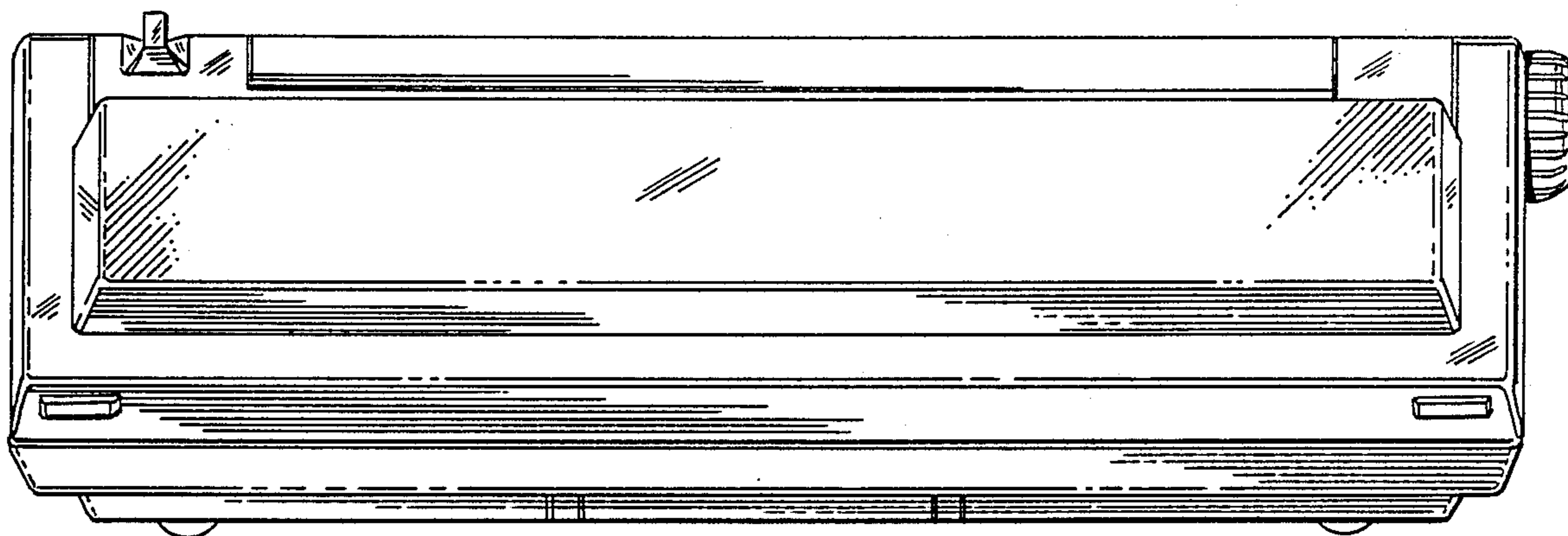


FIG 3

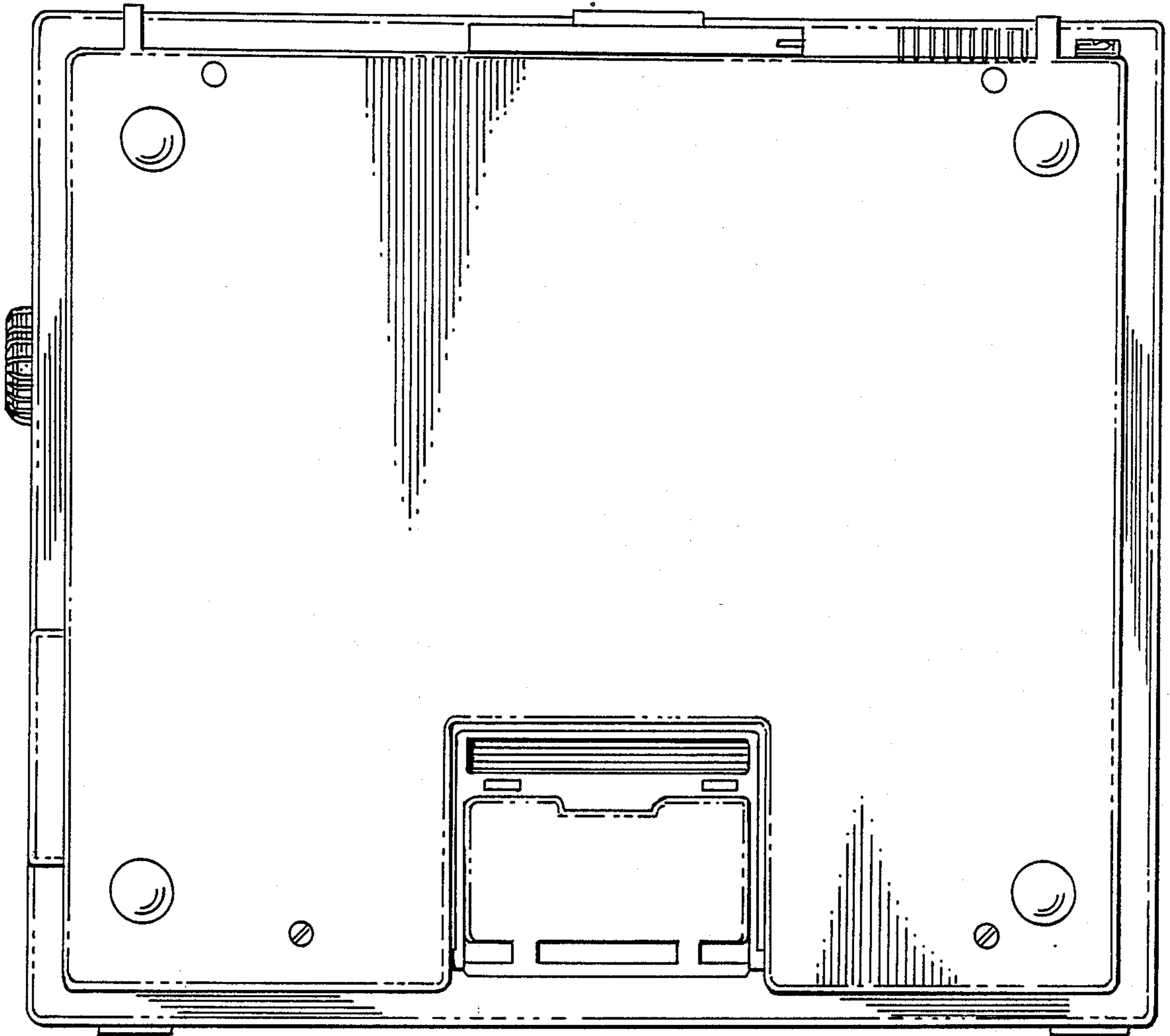


FIG 4

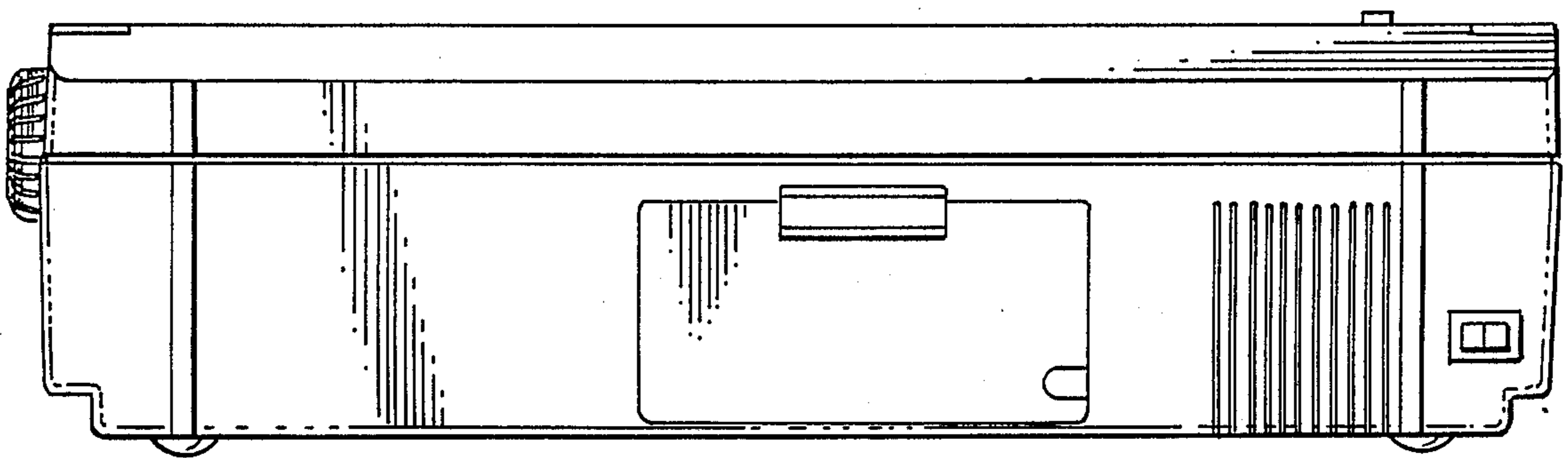


FIG 5

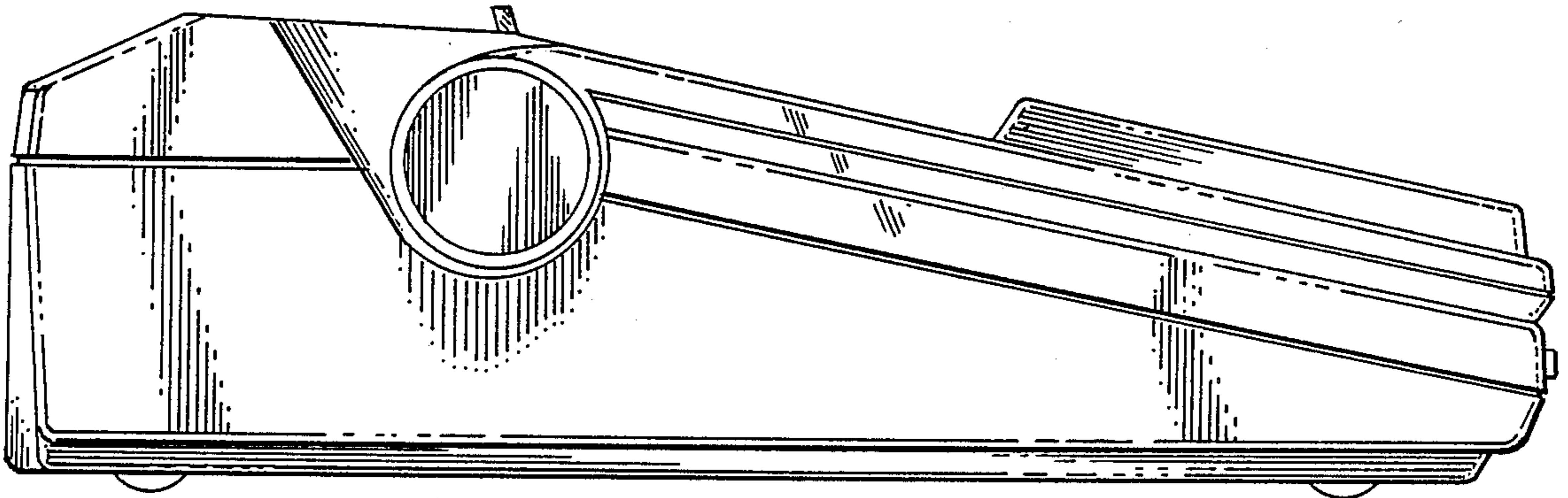


FIG 6

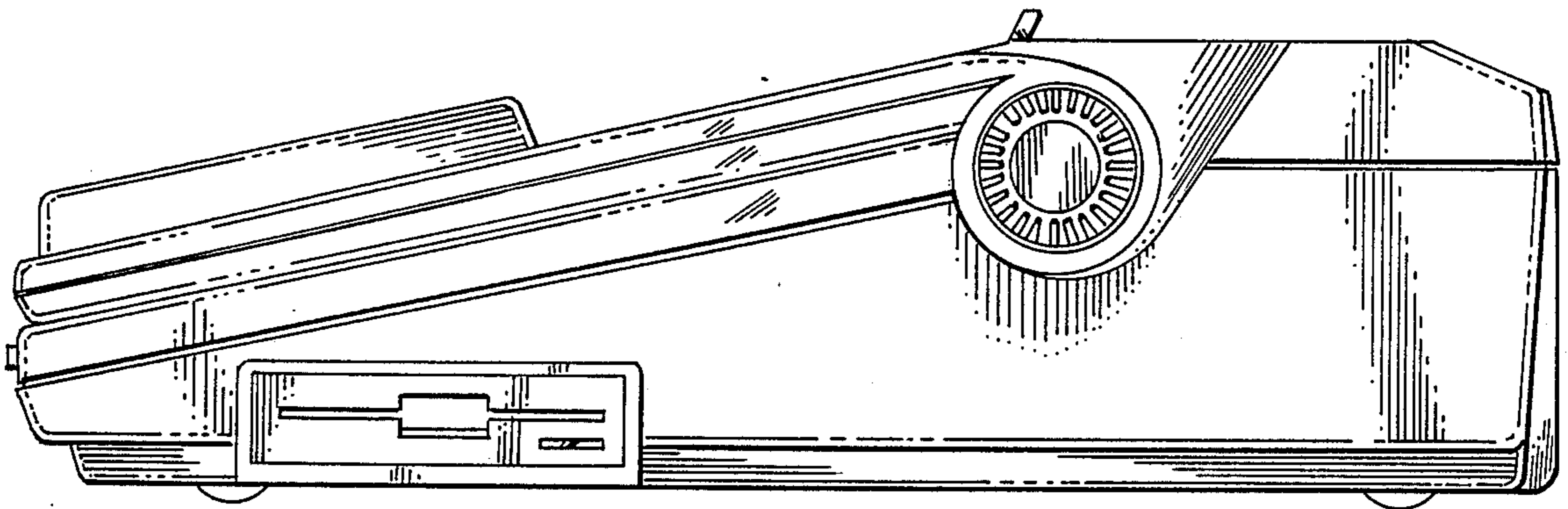
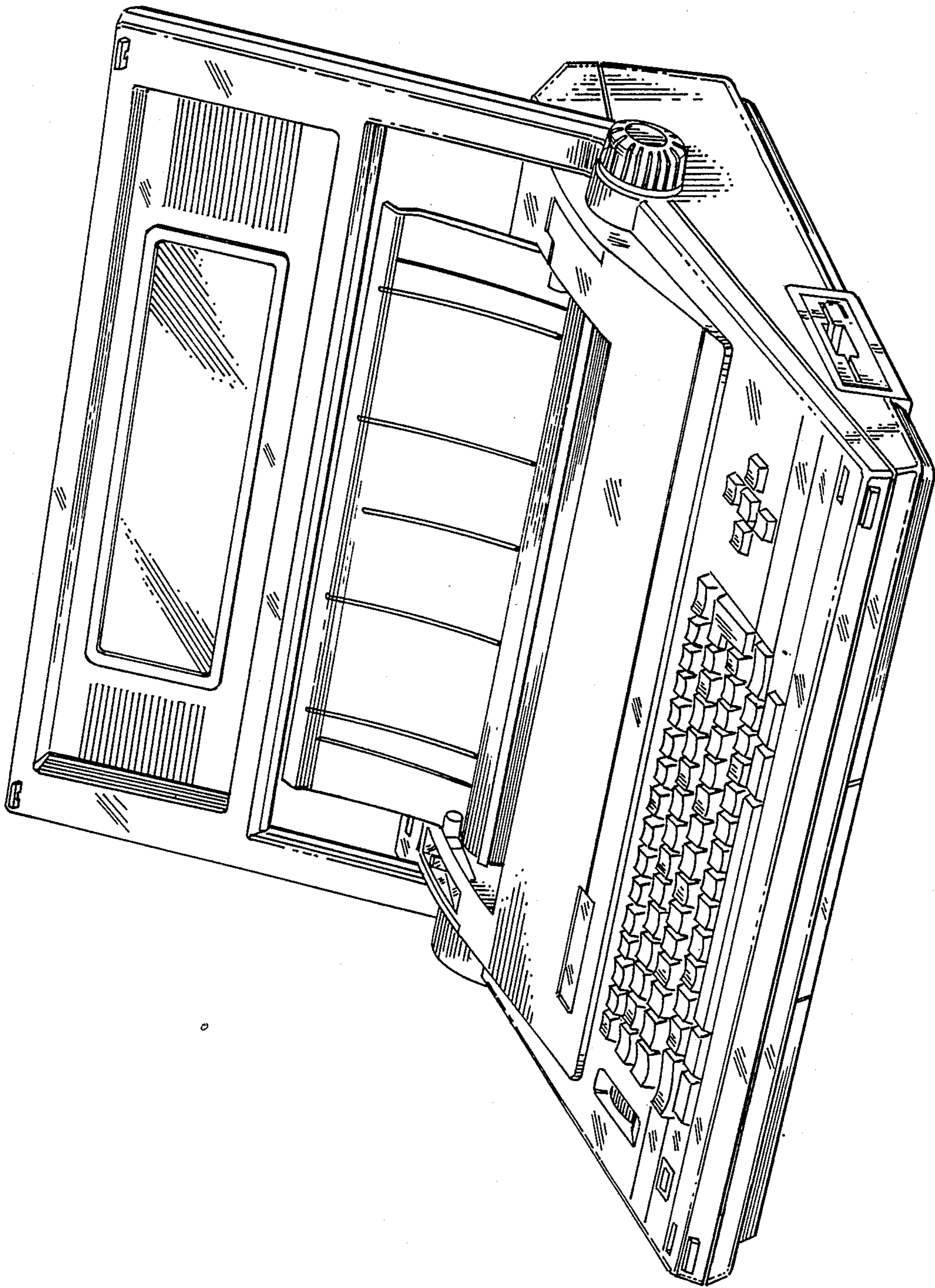
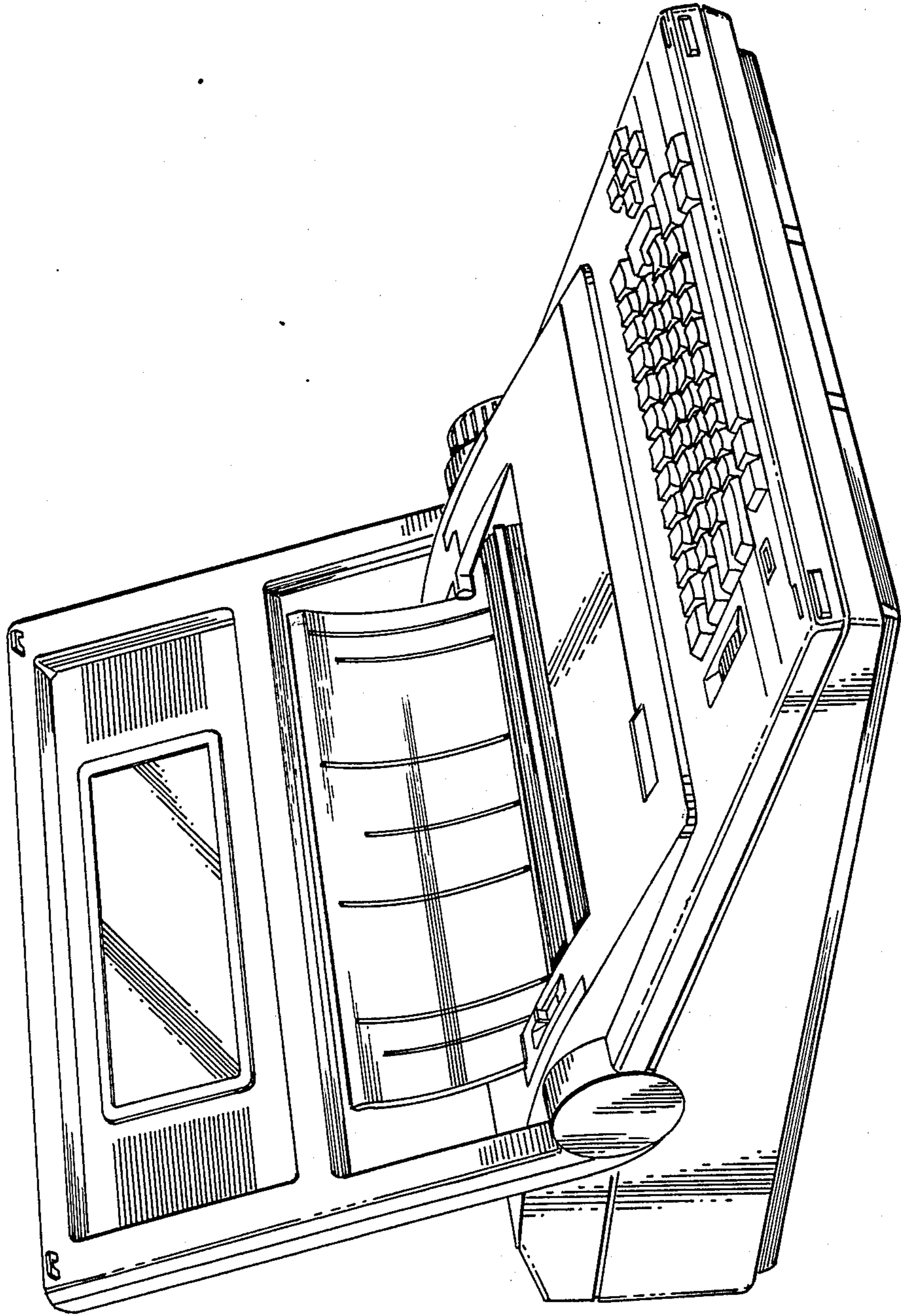


FIG 7



五五五



6 5 4 3 2 1