

[54] **SAWING MACHINE**

[76] **Inventor: Anders Johnsen, Alderbäcken 35,
Borlänge, Sweden**

[**] **Term: 14 Years**

[21] **Appl. No.: 75,871**

[22] **Filed: Jul. 20, 1987**

[30] **Foreign Application Priority Data**

Jan. 23, 1987 [SE] Sweden 870124
[52] **U.S. Cl. D15/133**
[58] **Field of Search D15/122, 127, 133, 134;
125/12, 13 R, 13 SS, 14; 83/471.2, 731; D8/66,
67**

[56] **References Cited**

U.S. PATENT DOCUMENTS

3,363,510 1/1968 Burrows et al. D8/67
4,078,539 3/1978 Sprague 125/13 R
4,188,934 2/1980 Reinhardt et al. 125/13 R

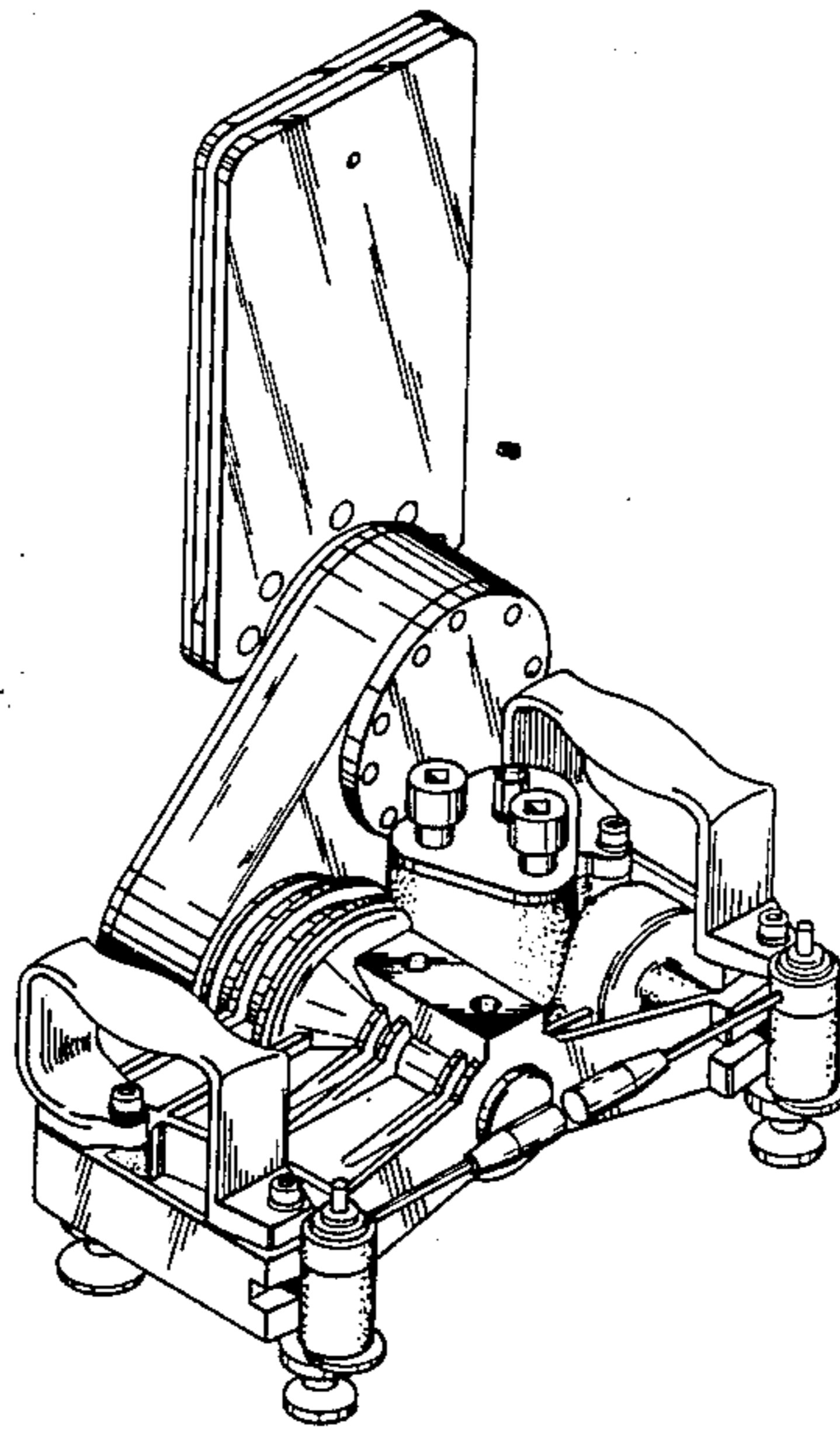
Primary Examiner—A. Hugo Word
Assistant Examiner—Ruth McInroy
Attorney, Agent, or Firm—Zarley, McKee, Thomte,
Voorhees & Sease

[57] **CLAIM**

The ornamental design for a sawing machine, as shown.

DESCRIPTION

FIG. 1 is top, front and side perspective view of the sawing machine showing my new design;
FIG. 2 is a bottom, rear and side perspective view thereof; and
FIG. 3 is a bottom plan view thereof.



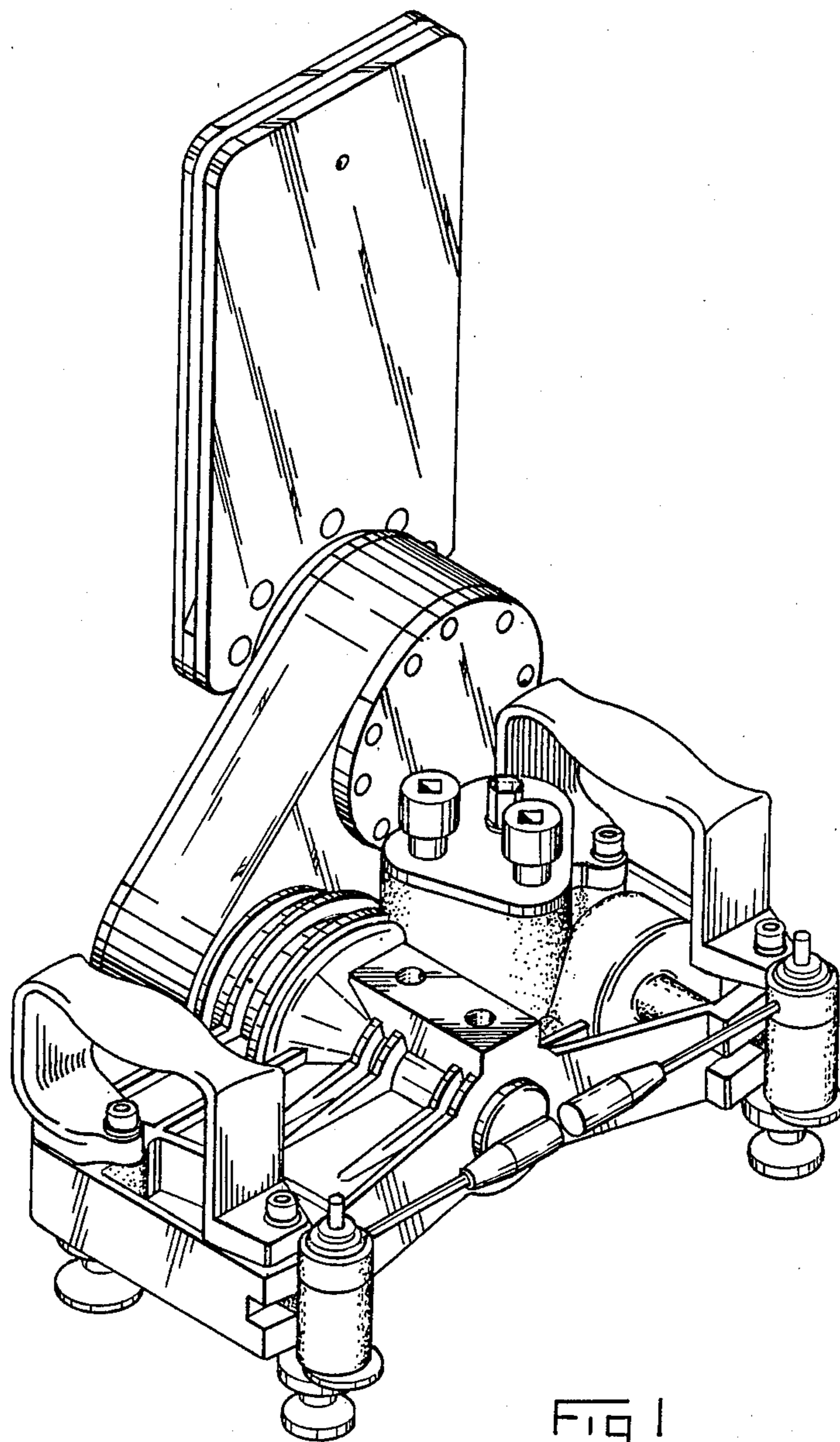


FIG 1

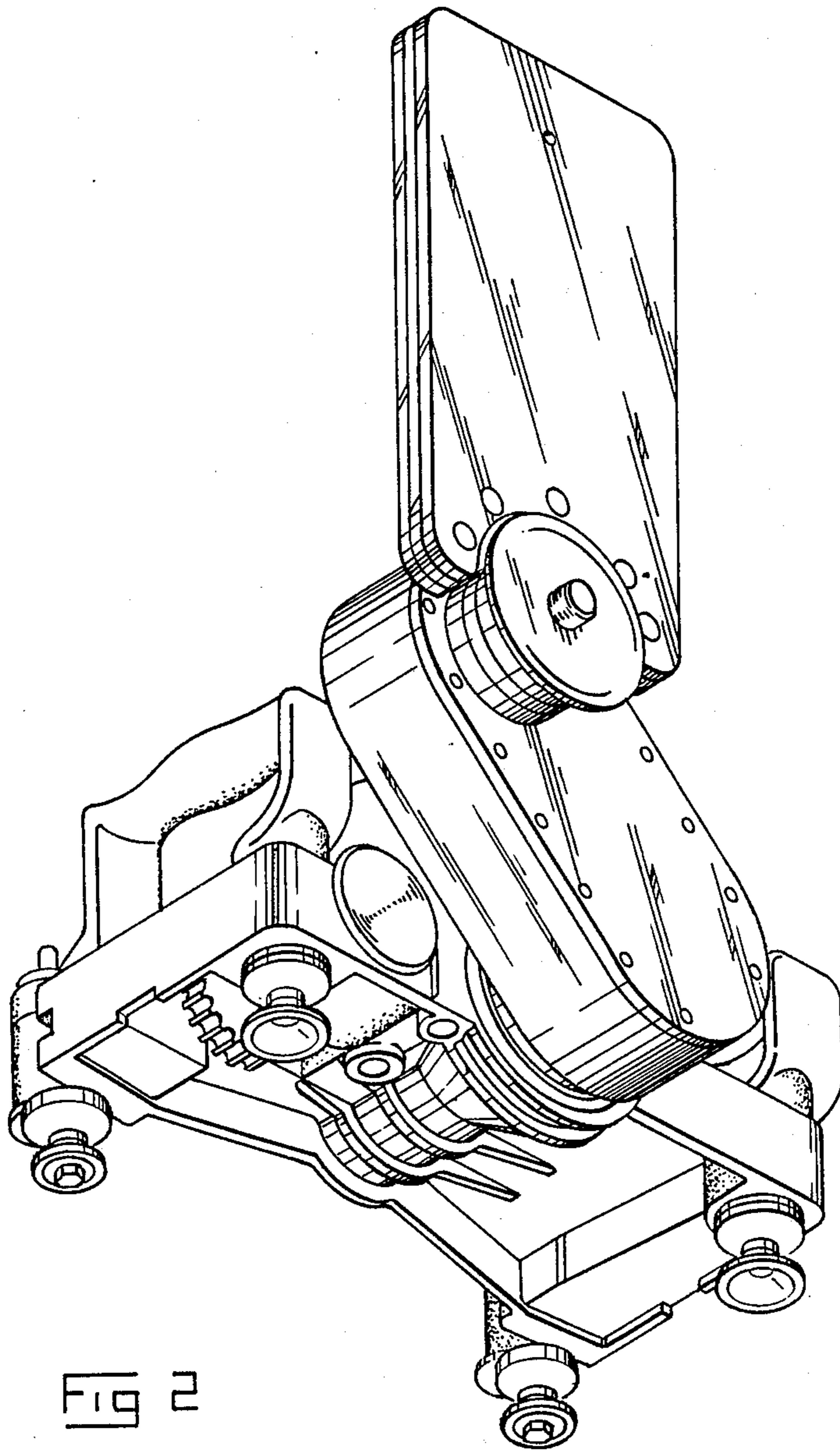


FIG 2

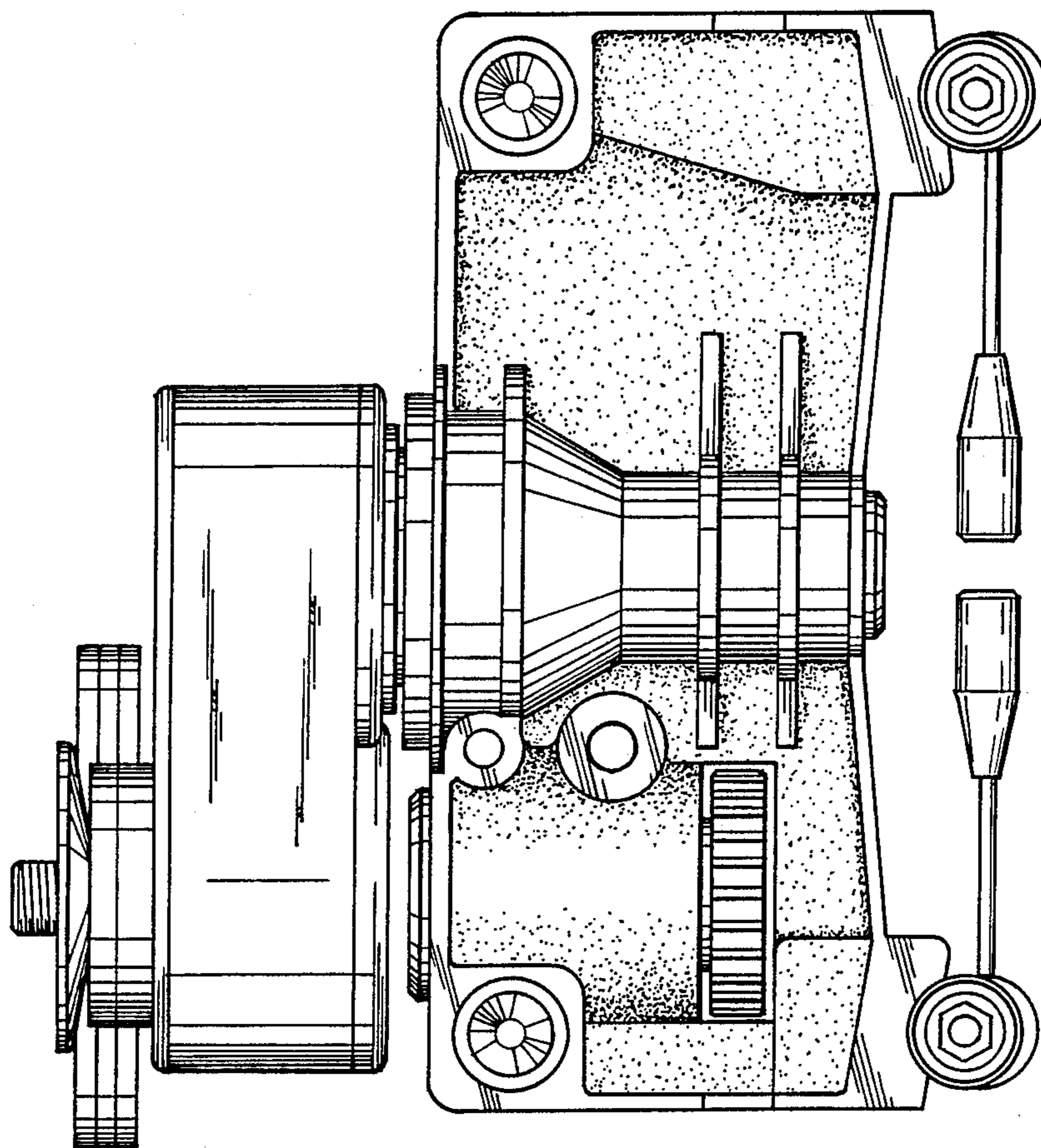


FIG 3