

# United States Patent [19]

Harr

[11] Patent Number: **Des. 308,528**

[45] Date of Patent: **\*\* Jun. 12, 1990**

[54] BUCKET

[76] Inventor: **Carl-Bruno Harr, 6, Ängsvägen,  
S-920 70 Sorsele, Sweden**

[\*\*] Term: **14 Years**

[21] Appl. No.: **83,959**

[22] Filed: **Aug. 11, 1987**

[30] **Foreign Application Priority Data**

Feb. 20, 1987 [SE] Sweden ..... 87-0376

[52] U.S. Cl. .... **D15/32**

[58] Field of Search ..... D15/25, 27, 28, 32;  
37/103, 117.5, 118, 141, DIG. 12; 114/722

[56] **References Cited**

**U.S. PATENT DOCUMENTS**

3,854,608 12/1974 Arnold ..... 37/117.5  
4,081,919 4/1978 Teach ..... 37/103  
4,123,861 11/1978 Hemphill ..... D15/32

*Primary Examiner*—B. J. Bullock  
*Assistant Examiner*—Sandra Morris  
*Attorney, Agent, or Firm*—Shapiro and Shapiro

[57] **CLAIM**

The ornamental design for a bucket, as shown.

**DESCRIPTION**

FIG. 1 is a side perspective view of a bucket showing my new design;

FIG. 2 is a side view thereof;

FIG. 3 is a bottom view thereof;

FIG. 4 is a front perspective view thereof;

FIG. 5 is a rear view thereof; and

FIG. 6 is a rear perspective view thereof.

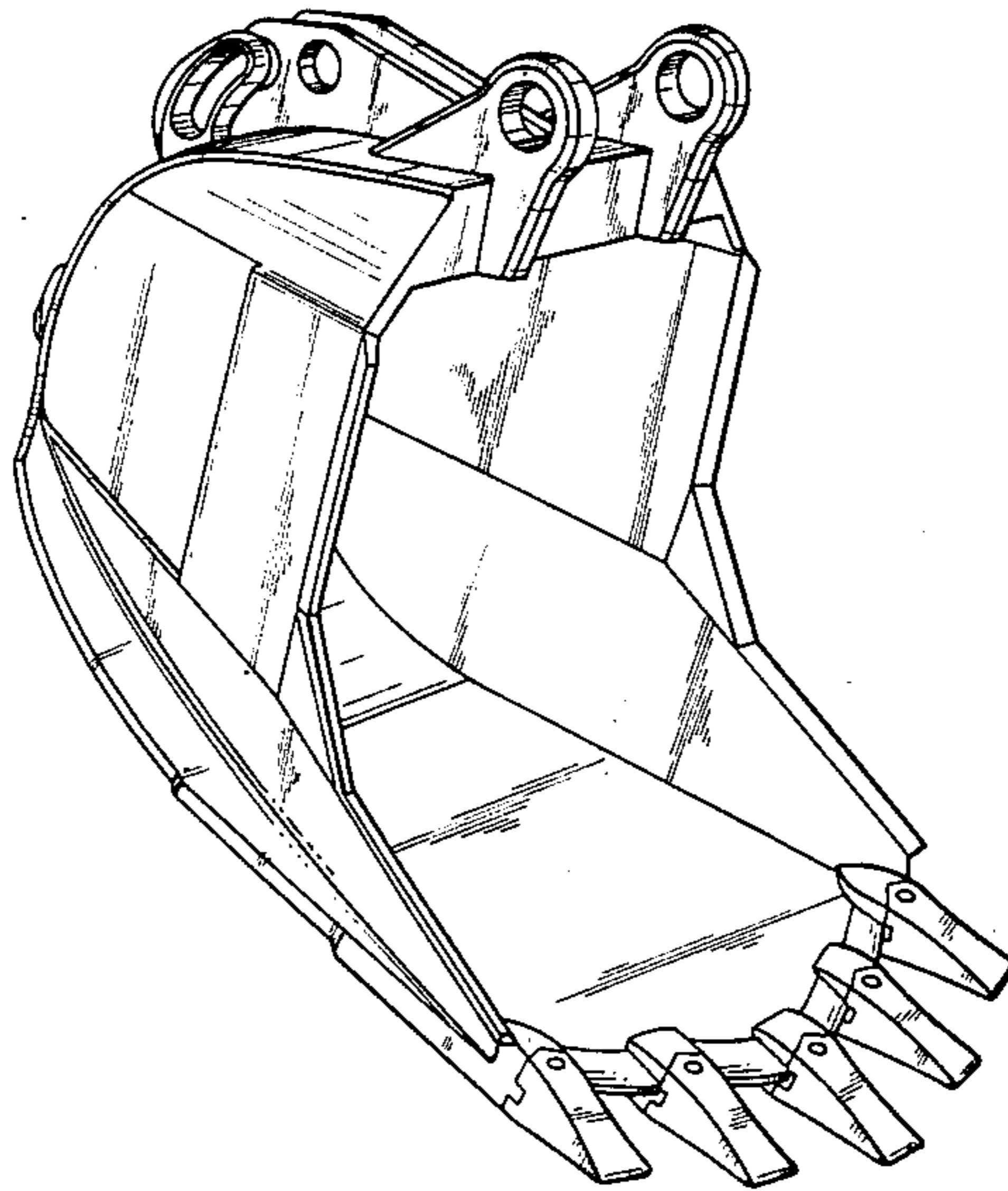


Fig. 1

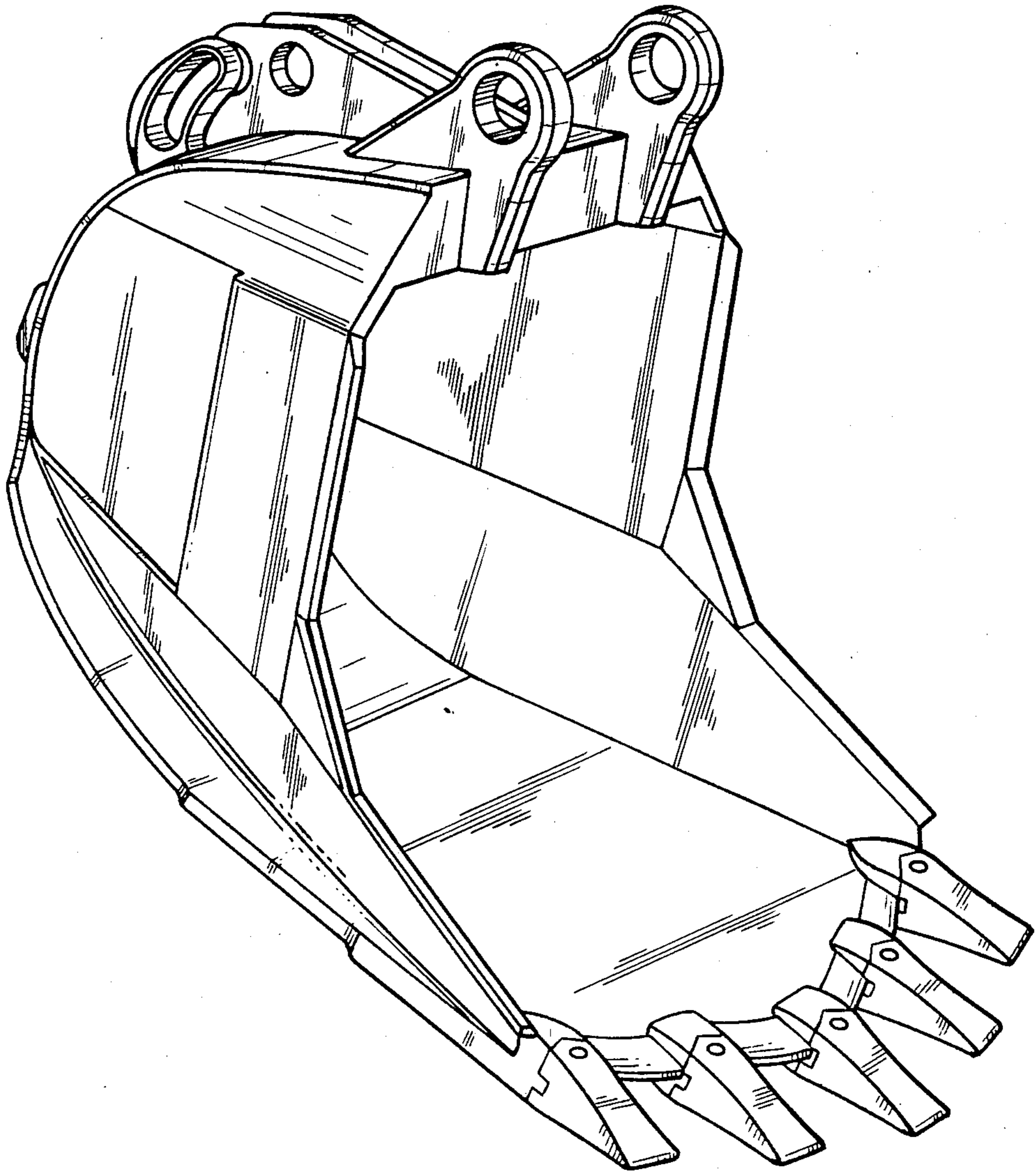


Fig. 5

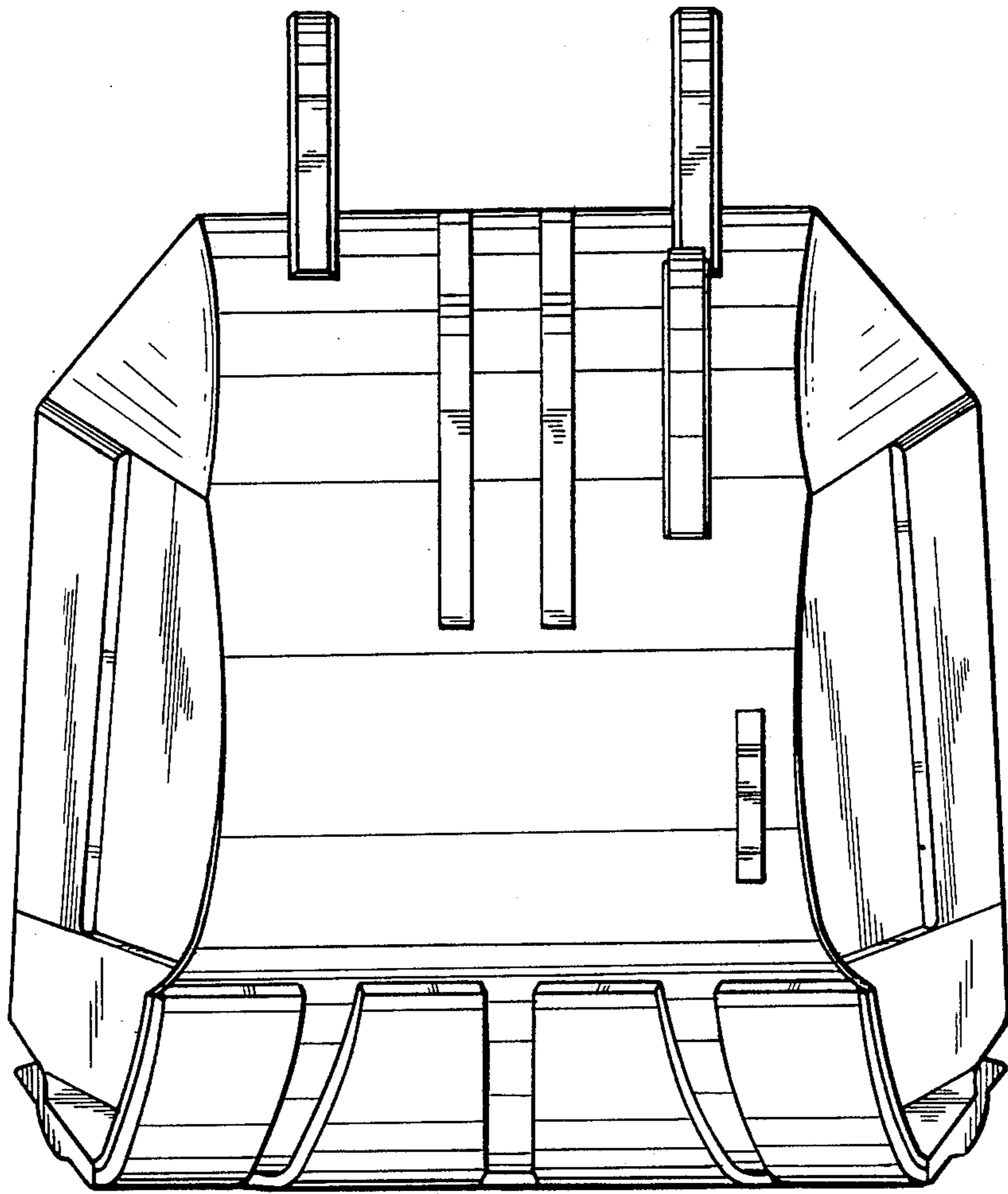


Fig. 6

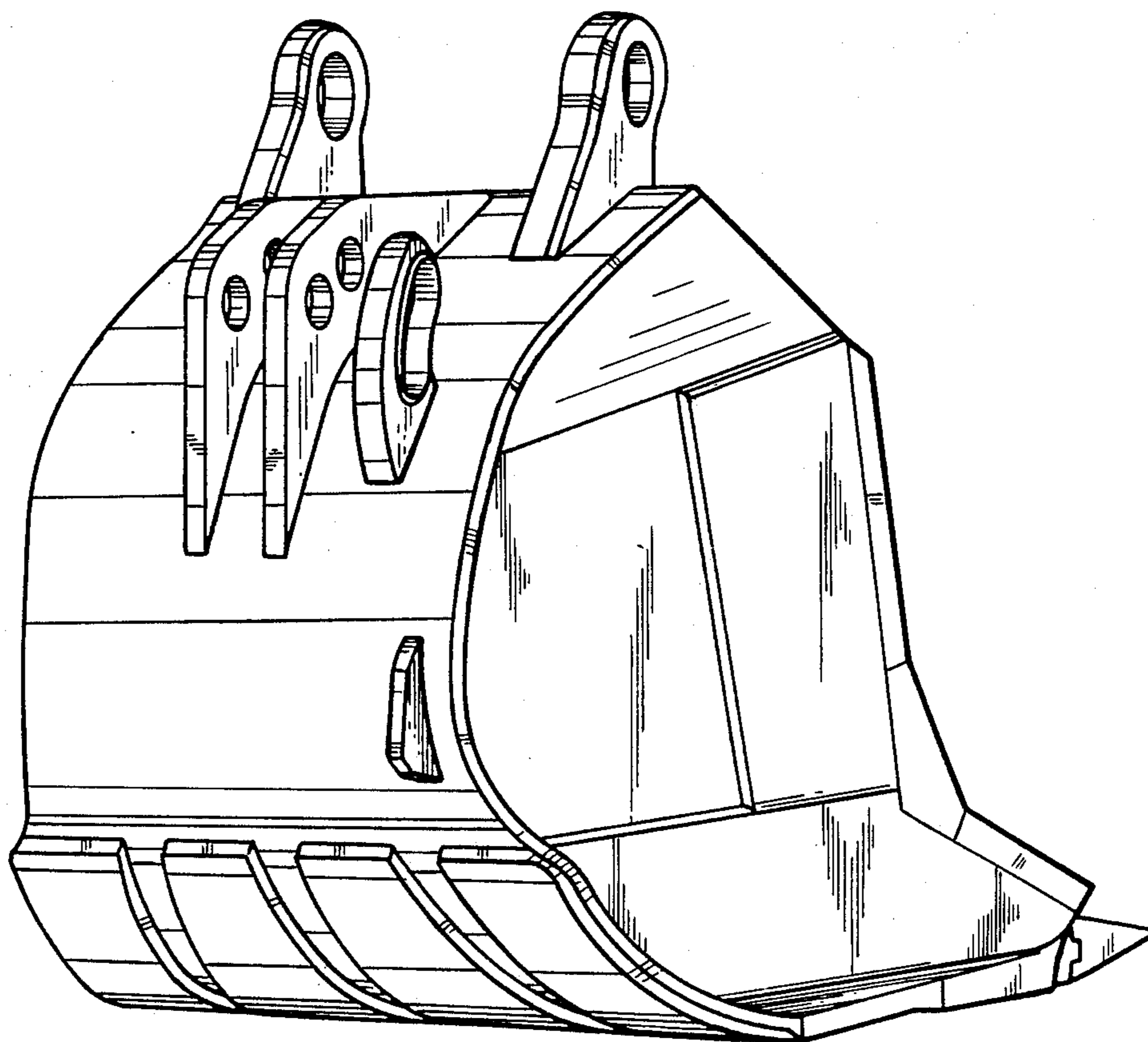


Fig. 4

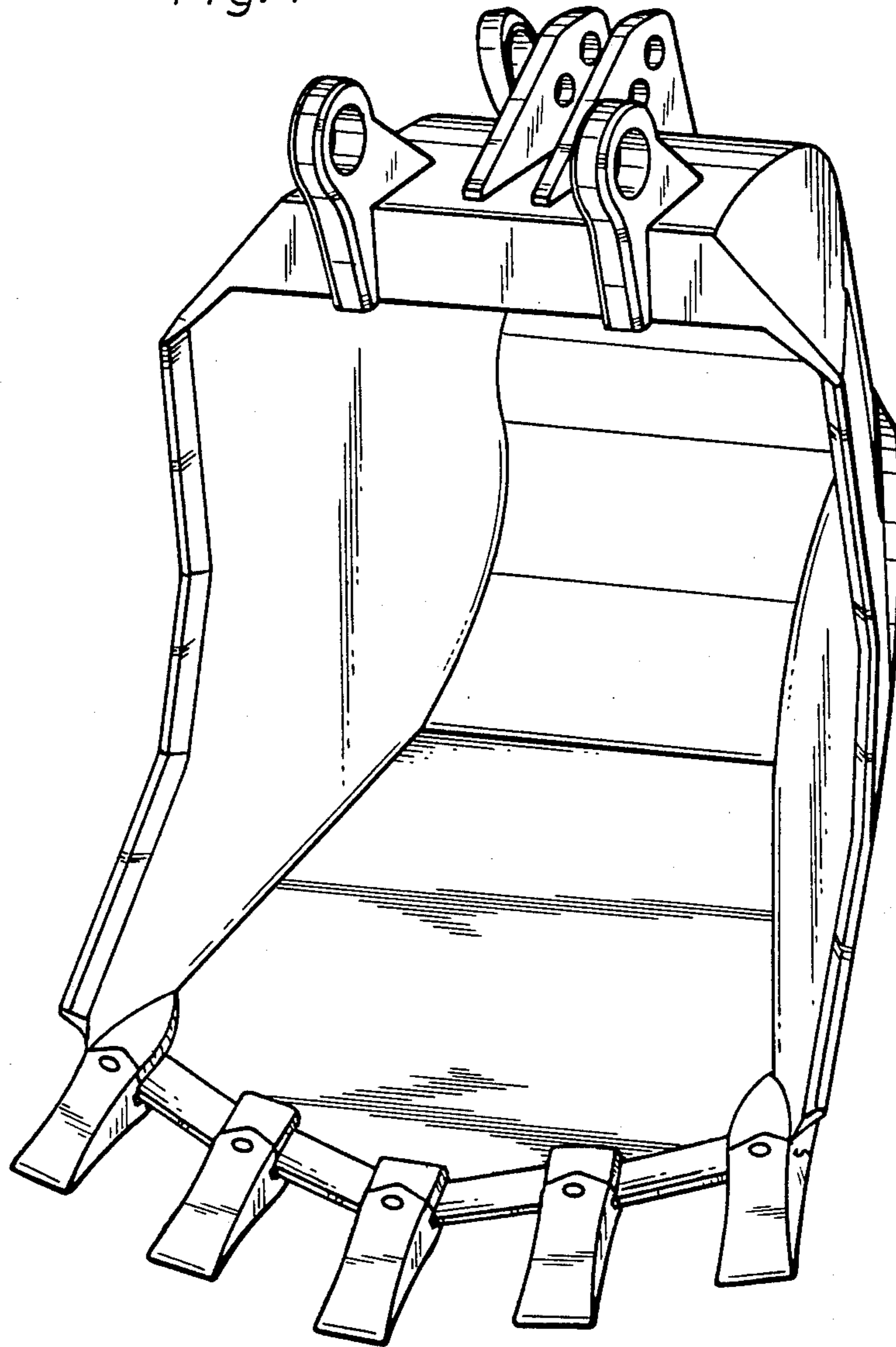
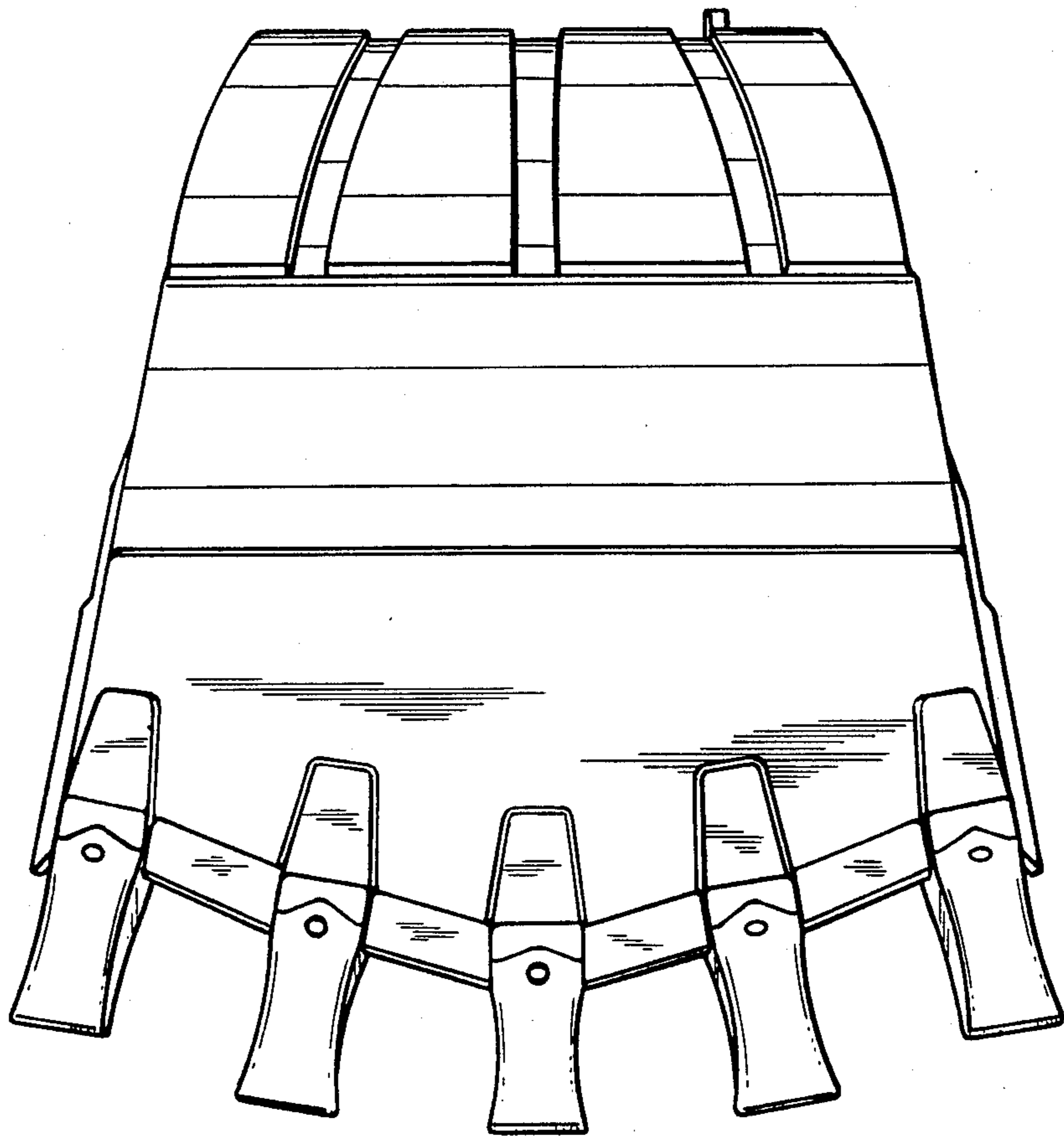


Fig. 3



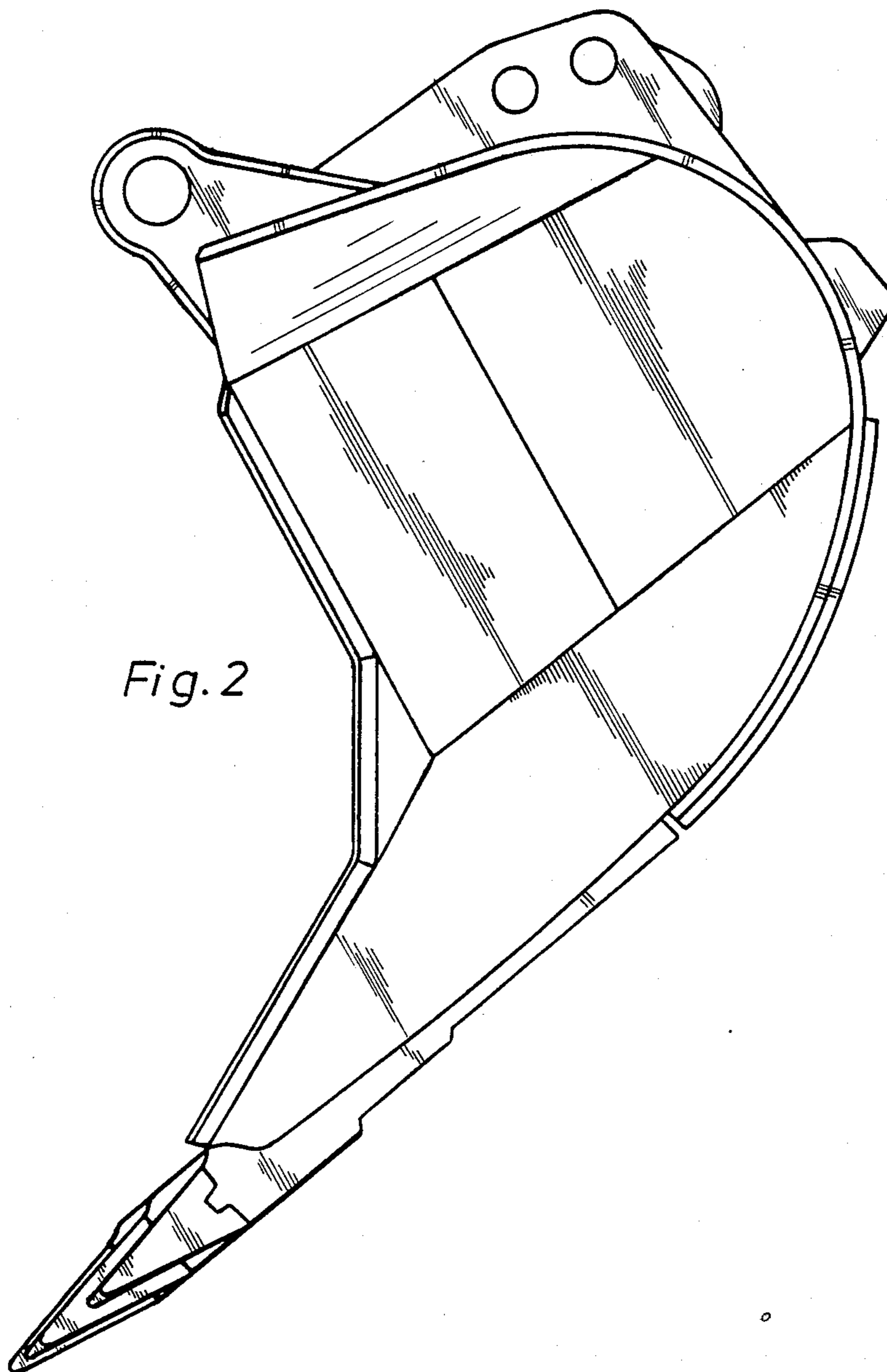


Fig. 2