

[54] GRAIN DRYER

[75] Inventors: Ernest Stalder, Clay Center; Delmar Toburen, Riley; Louis Norton, Clay Center, all of Kans.

[73] Assignee: Gilmore & Tatge Mfg. Co. Inc., Clay Center, Kans.

[\*\*] Term: 14 Years

[21] Appl. No.: 930,776

[22] Filed: Nov. 14, 1986

[52] U.S. Cl. .... D15/10; D15/144

[58] Field of Search ..... D15/10, 27, 144; 34/102, 167, 174; 98/55

"M&W Model 620C", M&W Gear, Gibson City, Illinois--product literature Prior to 11/14/85.

"Morige Grain Dryers Models 8330 and 8440", Morige Manufacturing, Inc., Moundridge, Kansas--product literature Prior to 11/14/85.

"Meyer Dryers", Meyer Morton Co., Morton, Ill.--product literature Prior to 11/14/85.

Primary Examiner--B. J. Bullock

Assistant Examiner--Sandra Morris

Attorney, Agent, or Firm--Kokjer, Kircher, Bradley, Wharton, Bowman & Johnson

[57] CLAIM

The ornamental design for a grain dryer, as shown and described.

DESCRIPTION

FIG. 1 is a perspective view of the grain dryer, showing my new design;

FIG. 2 is a left side elevational view thereof, the right side being substantially identical;

FIG. 3 is a top plan view thereof;

FIG. 4 is a rear elevational view thereof;

FIG. 5 is a front elevational view thereof.

The cross line shading which is partially shown on the bin is understood to repeat uniformly across the circumscribed area.

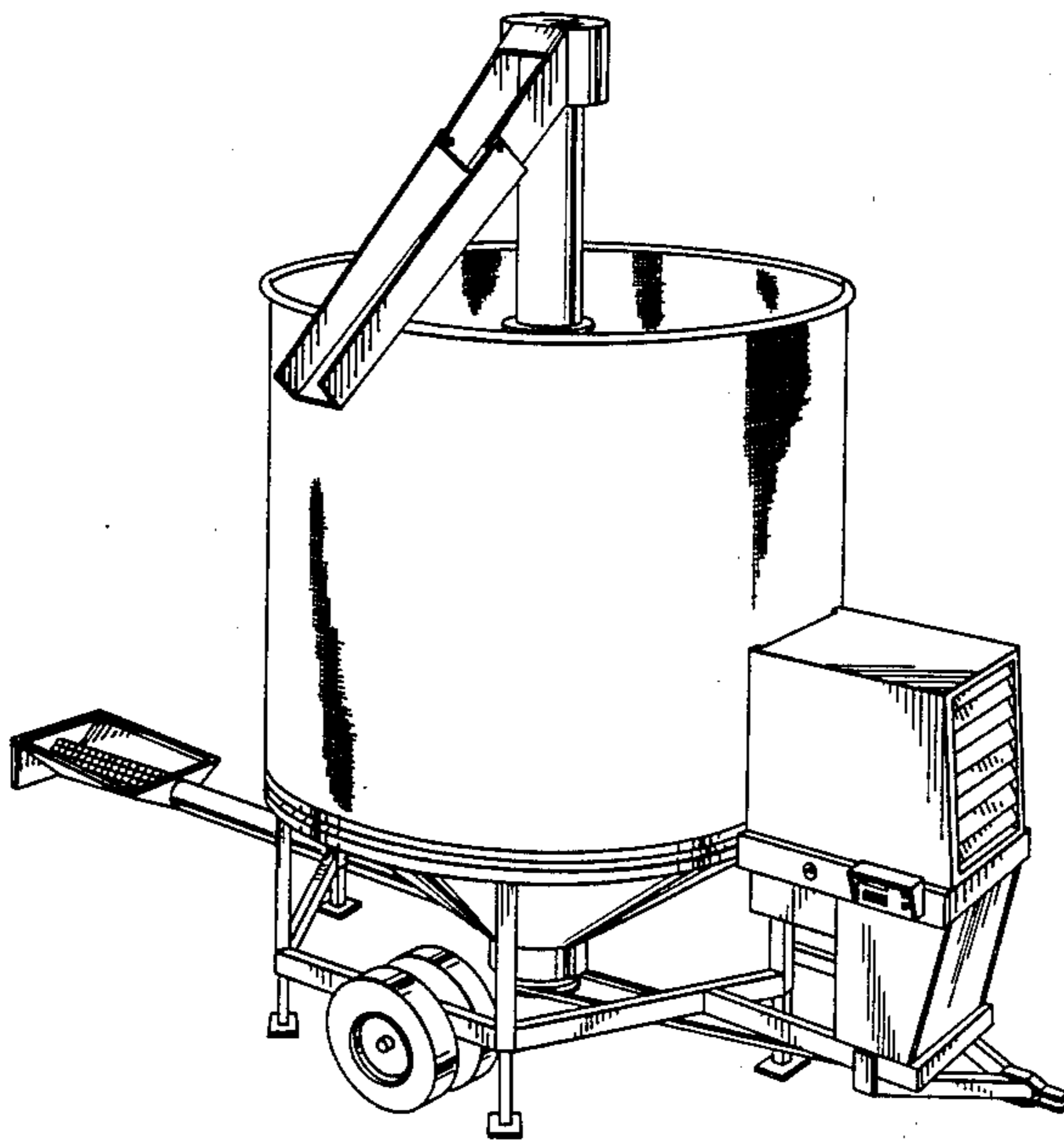
[56] References Cited

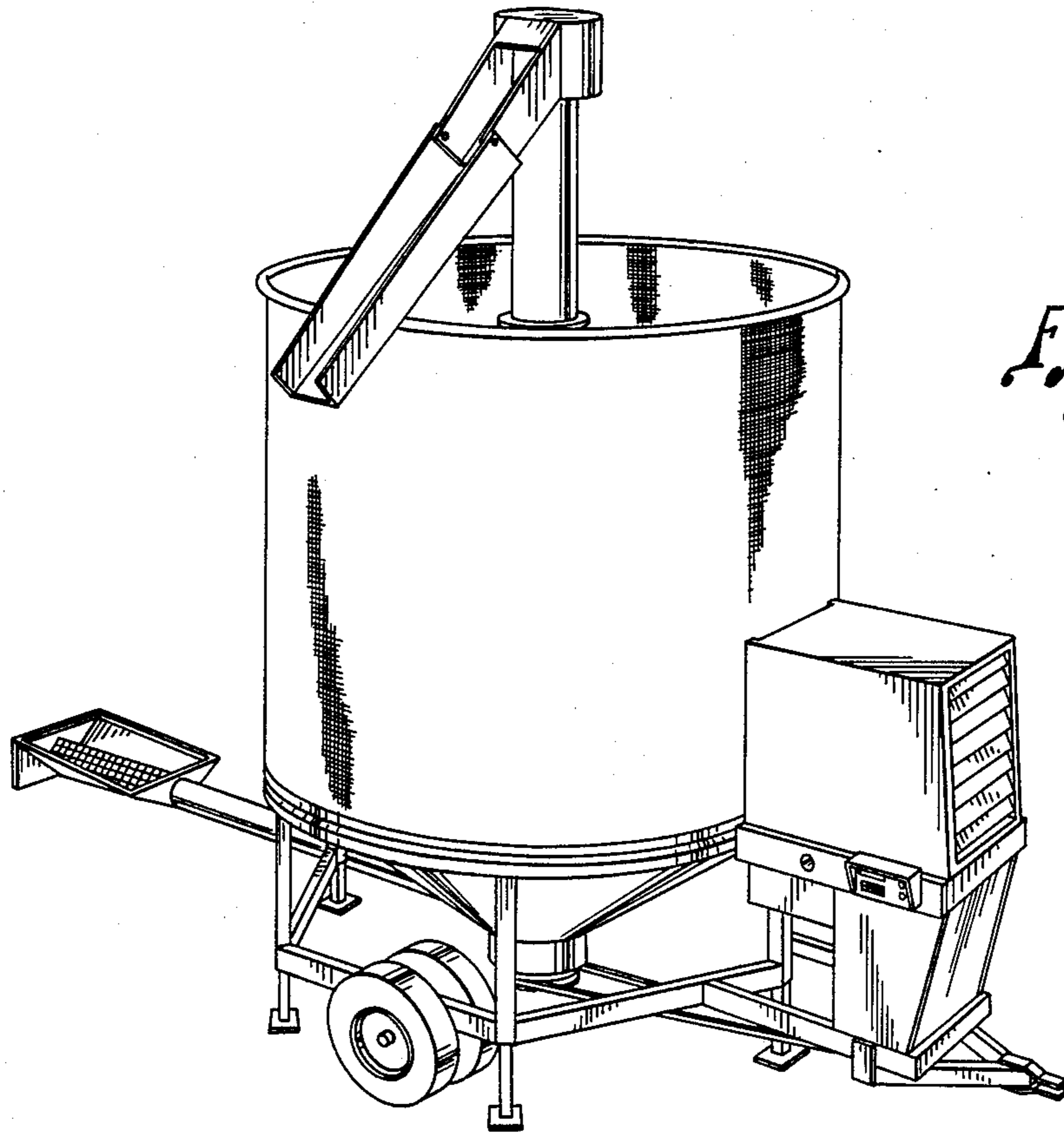
U.S. PATENT DOCUMENTS

2,772,487	7/1952	Arndt	.....	D15/10
2,925,666	2/1960	Gilmore et al.	.....	34/102
3,324,569	6/1967	Collier	.....	34/102

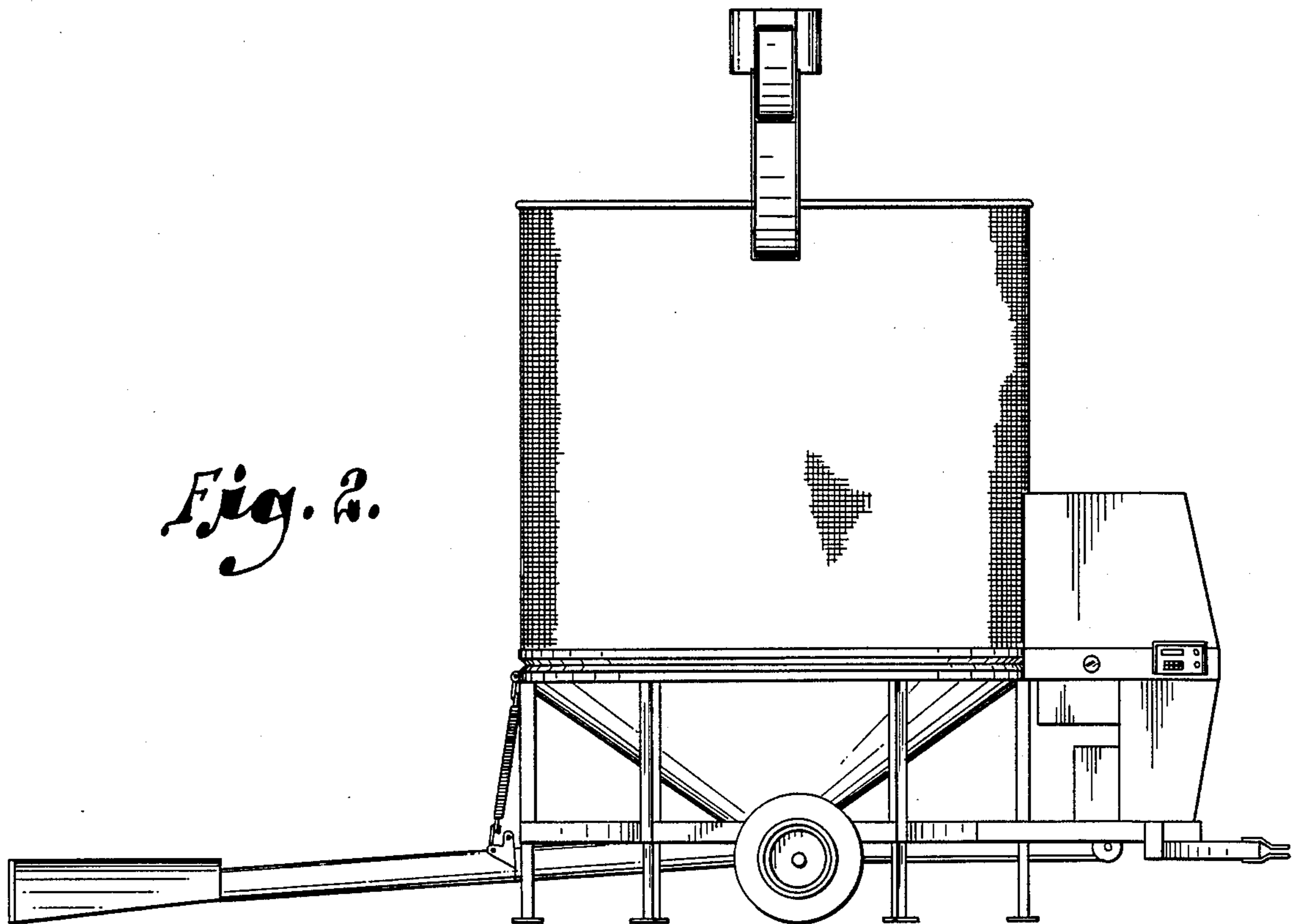
OTHER PUBLICATIONS

"Grain Chief", Gilmore & Tatge Mfg., Co., Inc., Clay Center, Kansas--Product Literature Prior to 11/14/85.

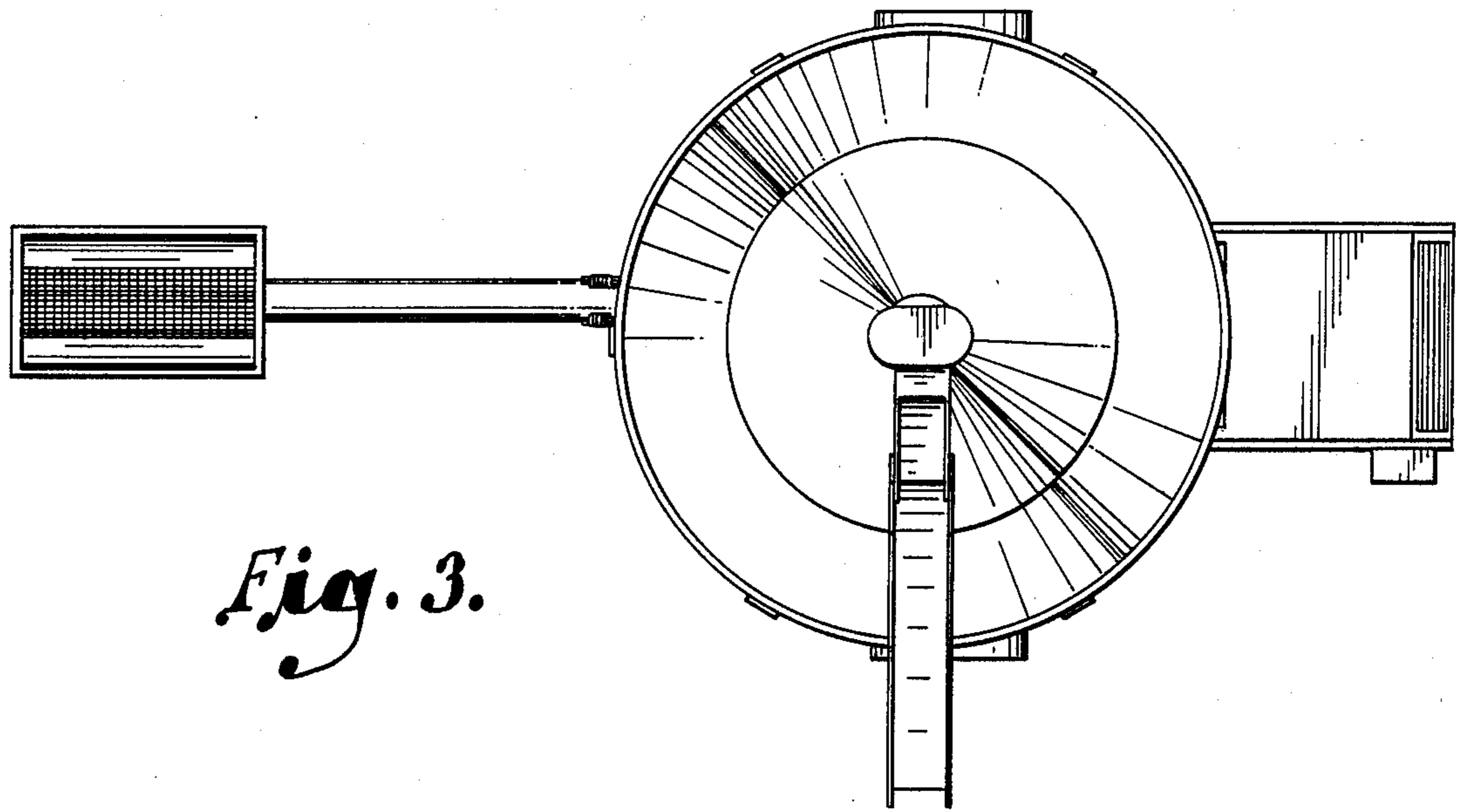




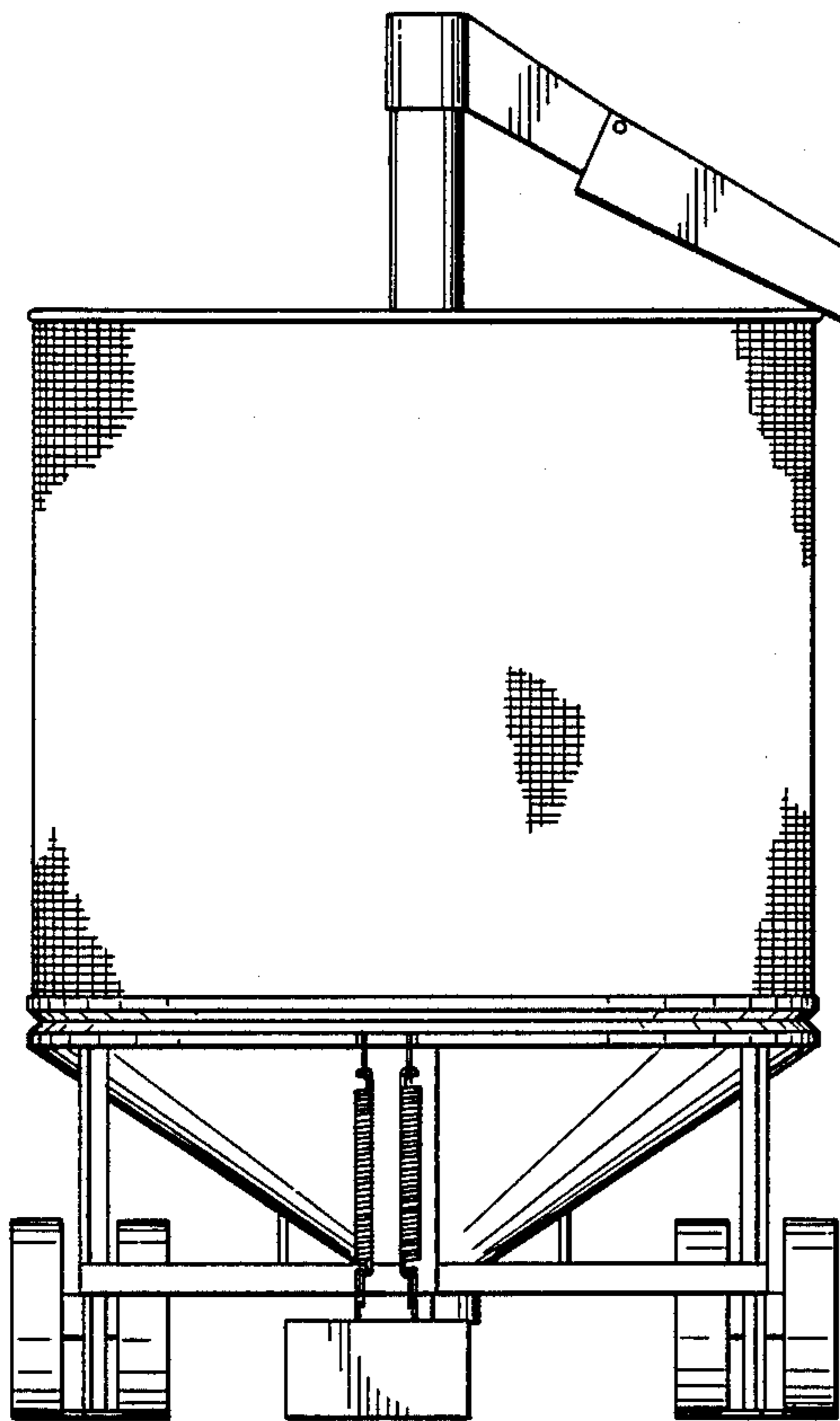
*Fig. 1.*



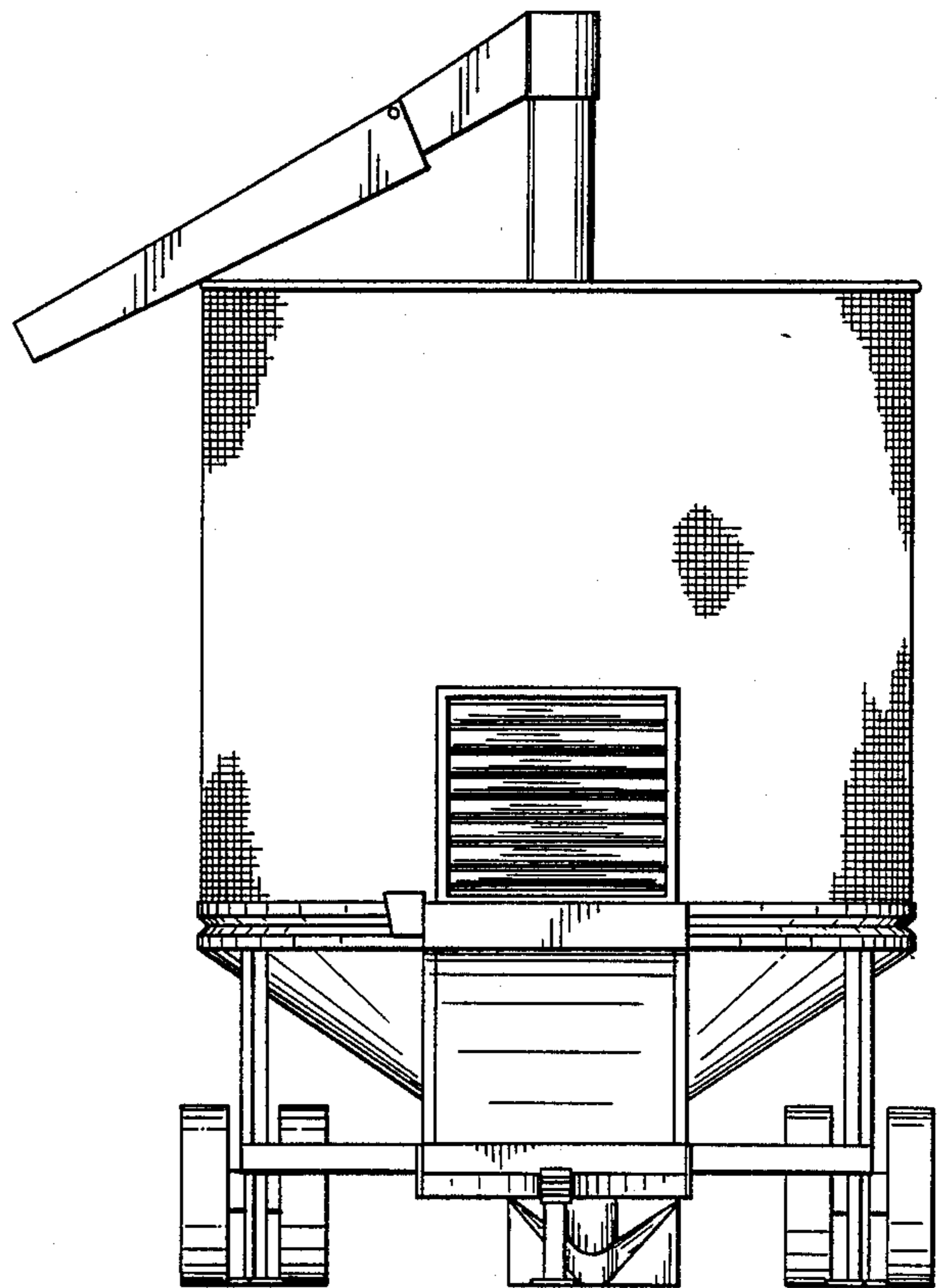
*Fig. 2.*



*Fig. 3.*



*Fig. 4.*



*Fig. 5.*