

[54] **SUPPORT STAND FOR A DESK PHONE**

[76] **Inventor: David A. Swinburne, P.O. Box 5710, Bethesda, Md. 20814**

[\*\*] **Term: 14 Years**

[21] **Appl. No.: 296,426**

[22] **Filed: Jan. 12, 1989**

[52] **U.S. Cl. .... D14/251; D6/419**

[58] **Field of Search ..... D14/251; 248/459, 441; D13/41; 379/441, 454, 435; 24/676, 678**

4,699,312 10/1987 Owen ..... D48/459 X  
 4,763,352 8/1988 Goff ..... D14/251 X

**OTHER PUBLICATIONS**

Brochure Sheet at p. A, "Lectern Desks & Speaker Stands".

*Primary Examiner*—Horace B. Fay, Jr.  
*Attorney, Agent, or Firm*—Mason, Fenwick & Lawrence

[57] **CLAIM**

The ornamental design for a support stand for a desk telephone, as shown and described.

**DESCRIPTION**

FIG. 1 is a left side, top and rear perspective view of a support stand for a desk telephone showing my new design;

FIG. 2 is a front elevational view thereof;

FIG. 3 is a front elevational view thereof;

FIG. 4 is a top plan view thereof;

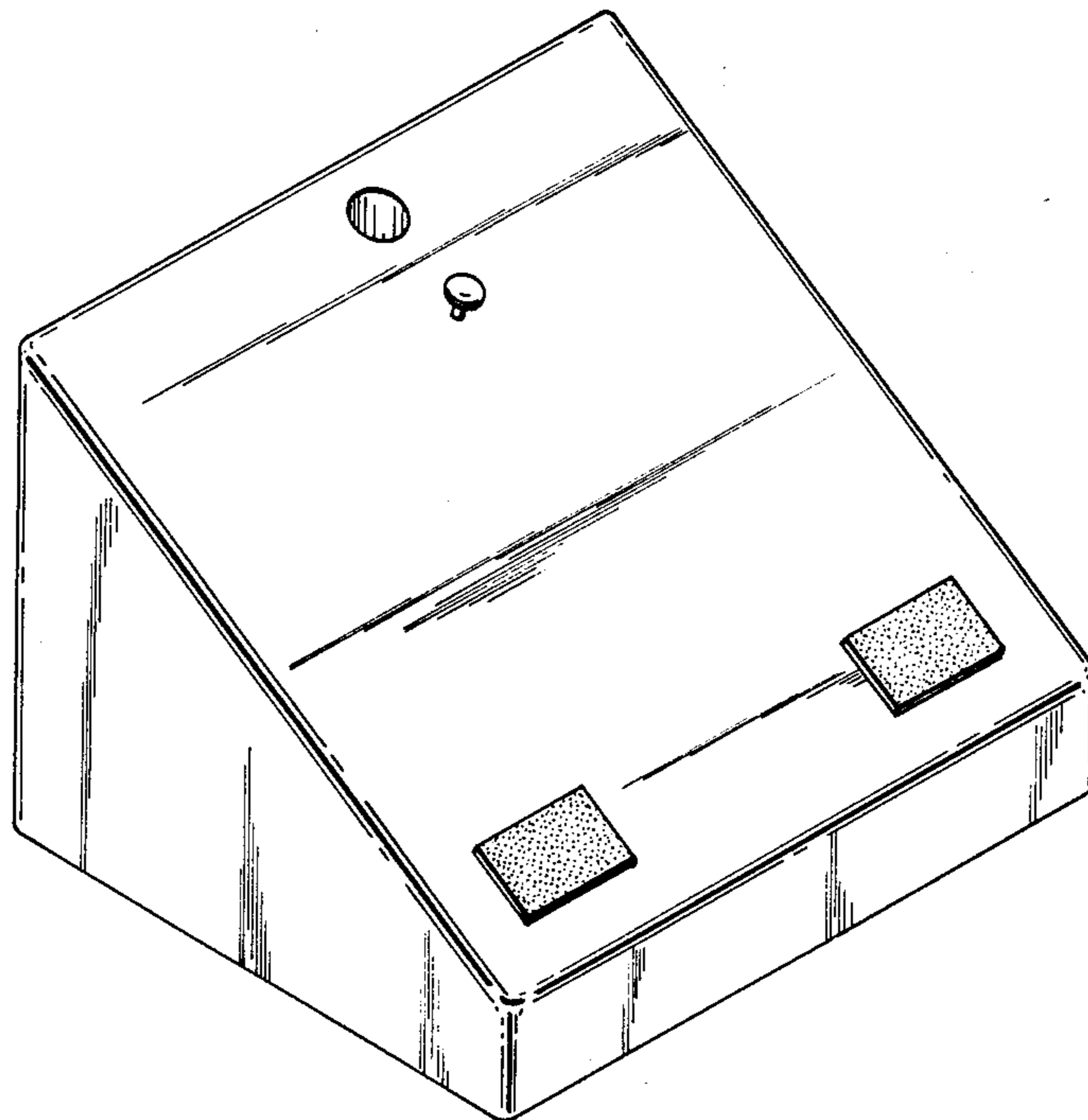
FIG. 5 is a left side elevational view thereof, the side opposite being a mirror image thereof; and

FIG. 6 is a bottom plan view thereof.

[56] **References Cited**

**U.S. PATENT DOCUMENTS**

- D. 57,401 3/1921 Tichy ..... D6/419 X
- D. 96,018 6/1935 Connor ..... D14/251
- D. 215,665 10/1969 Gjede ..... D6/419
- D. 277,664 2/1985 Wilt ..... D14/251
- D. 279,185 6/1985 Felix et al. .... D14/251
- D. 285,392 9/1986 Thompson ..... D6/419 X
- 844,459 2/1907 Warren ..... 248/459
- 4,538,861 9/1985 Hughes, Jr. .... D6/419
- 4,618,120 10/1986 Wattles ..... D6/419 X



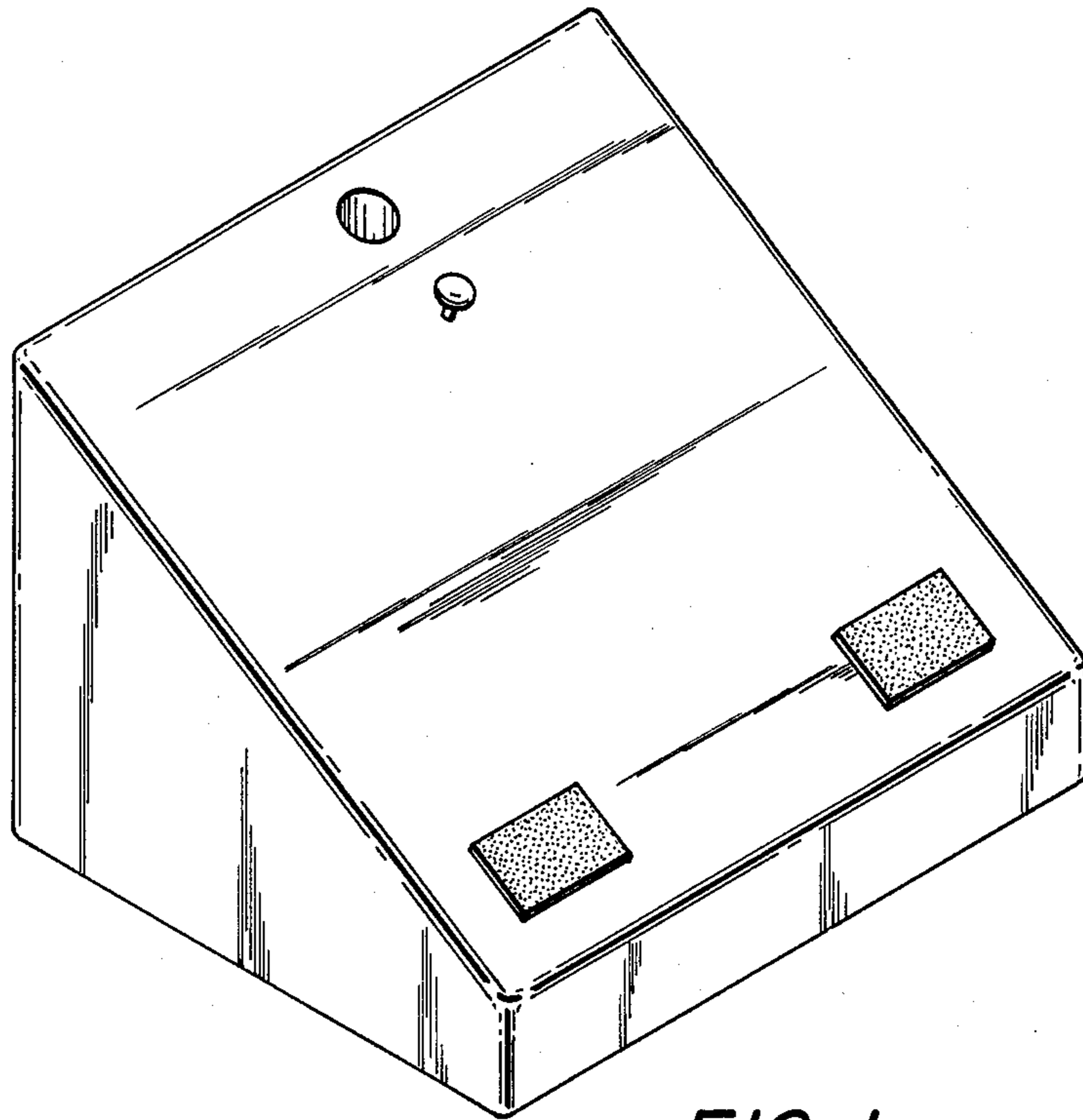


FIG. 1

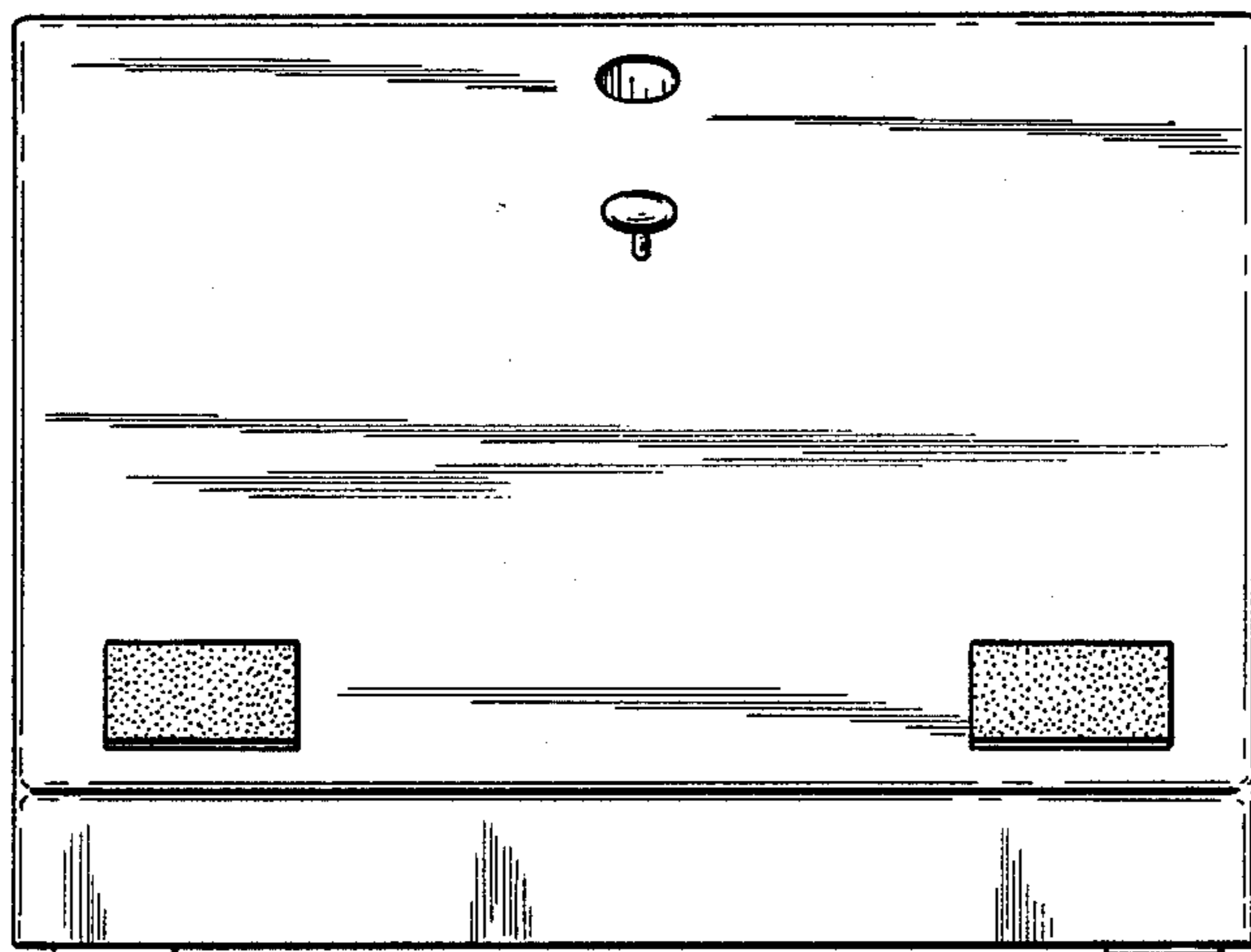


FIG. 2

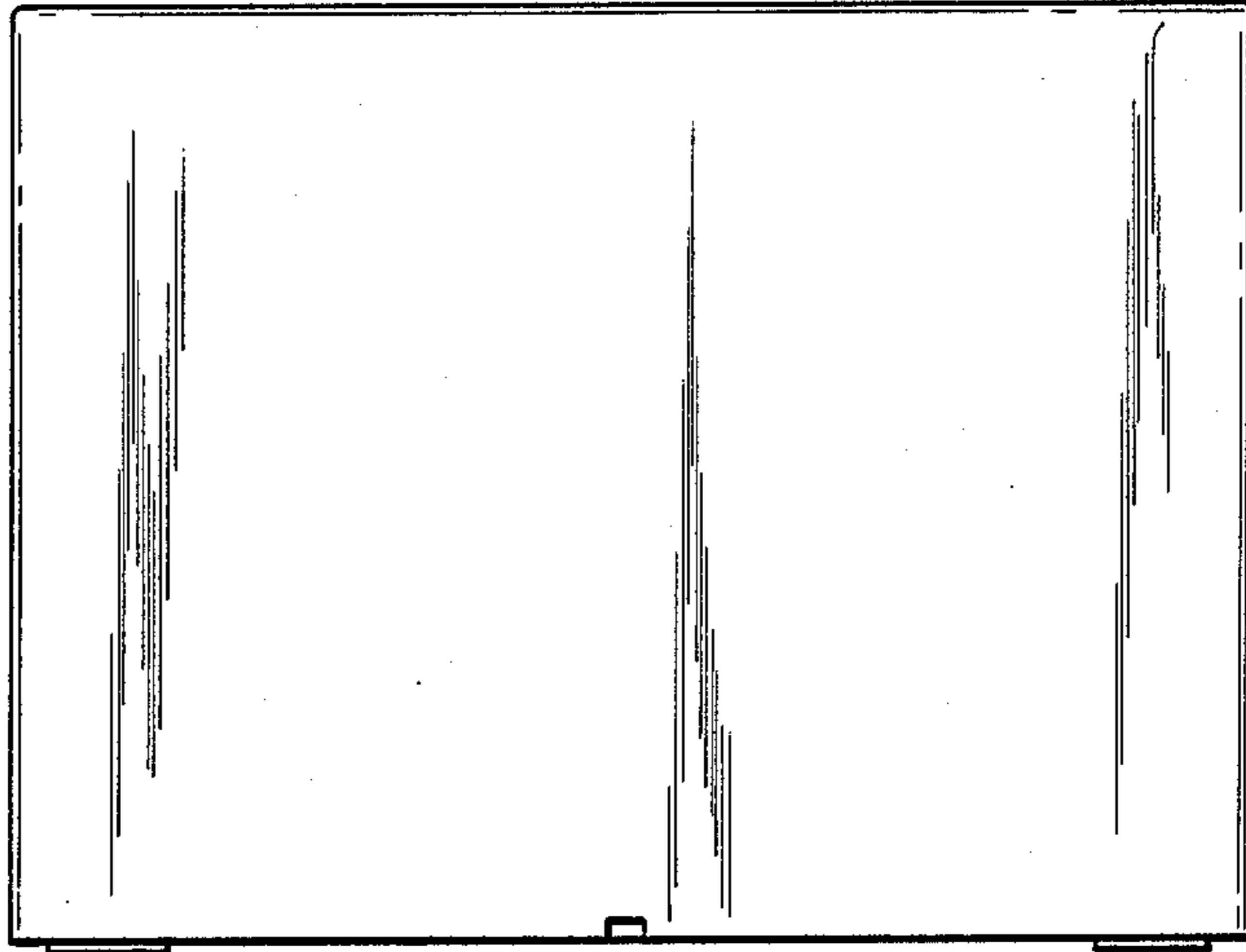


FIG. 3

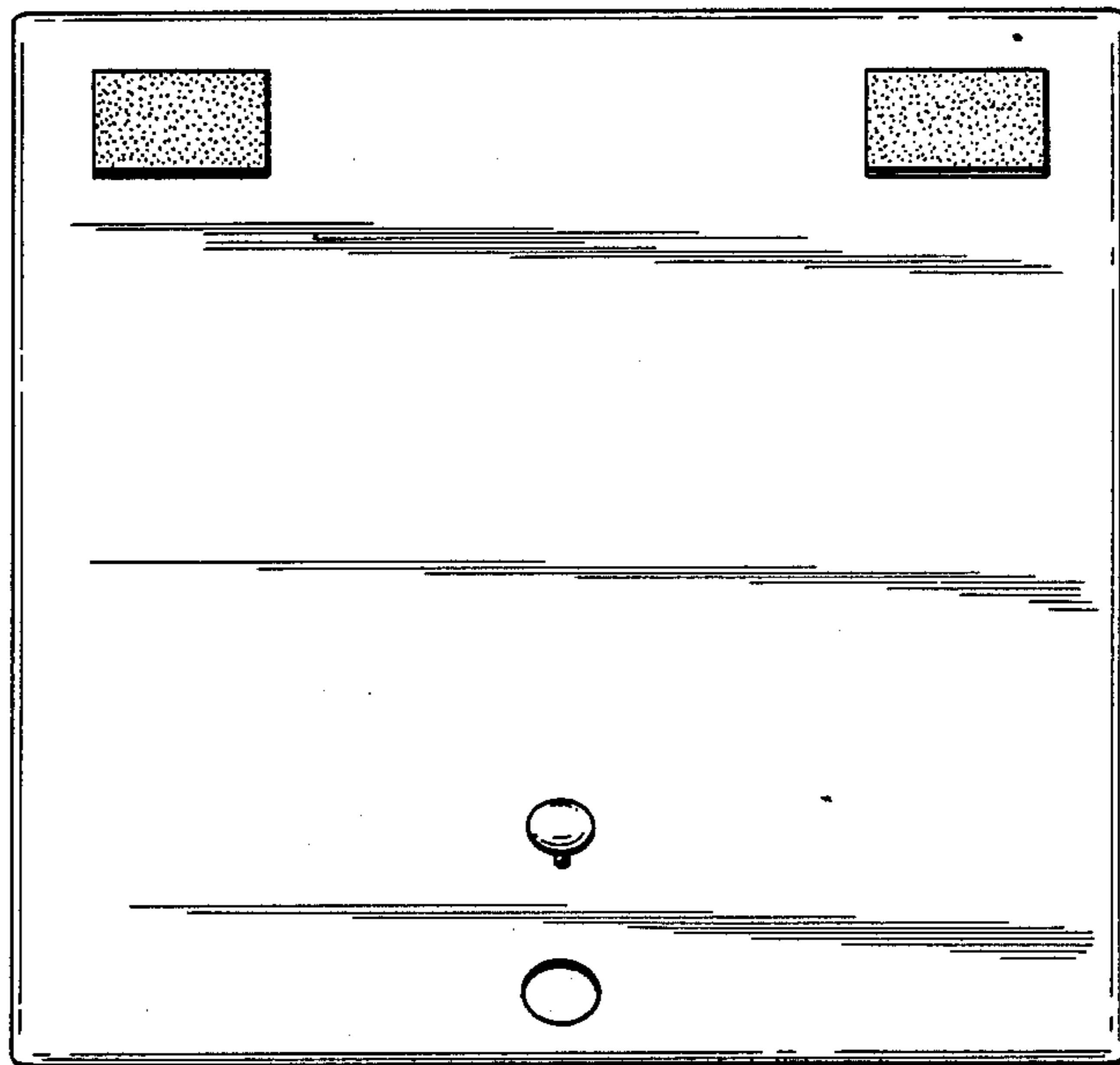


FIG. 4

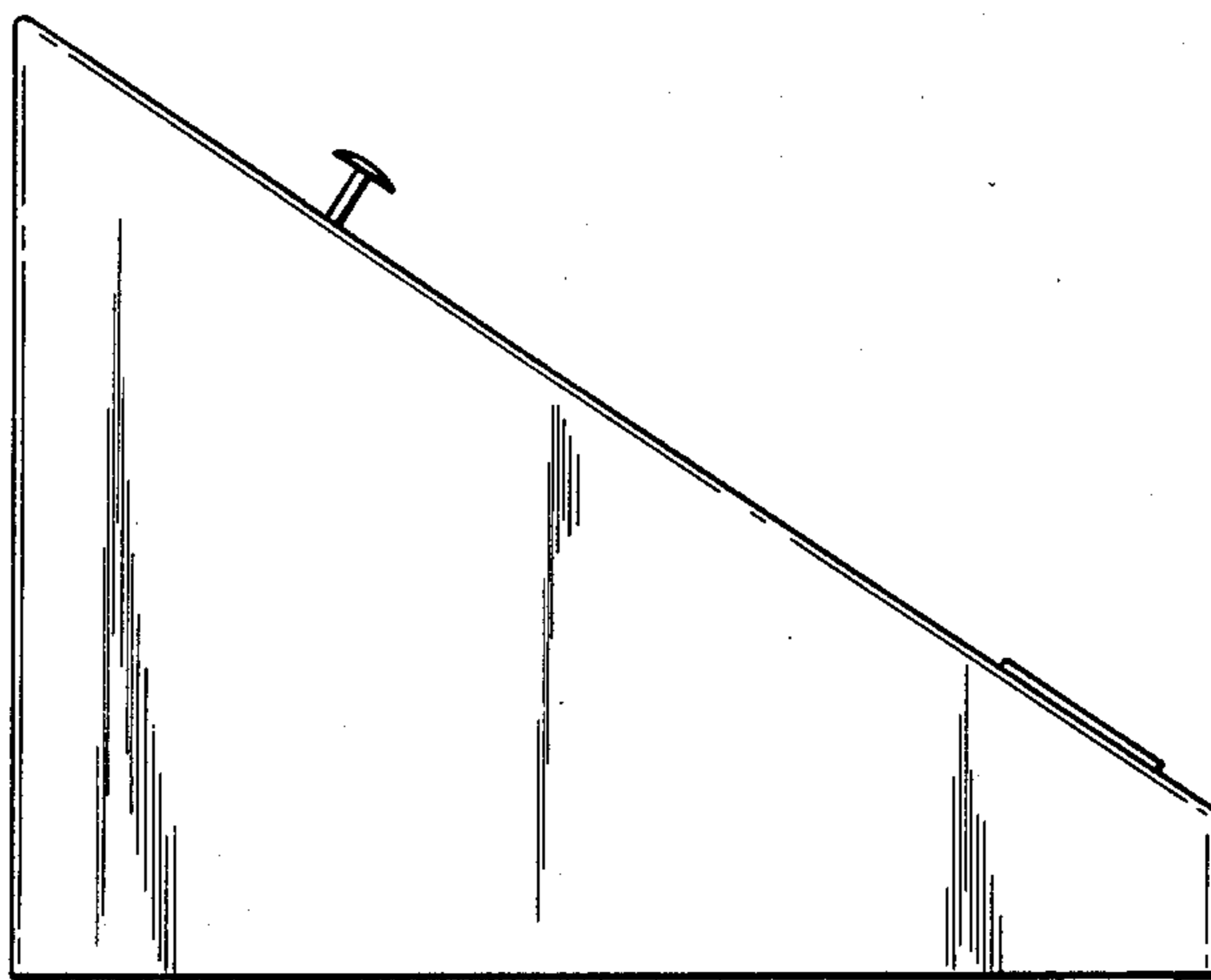


FIG. 5

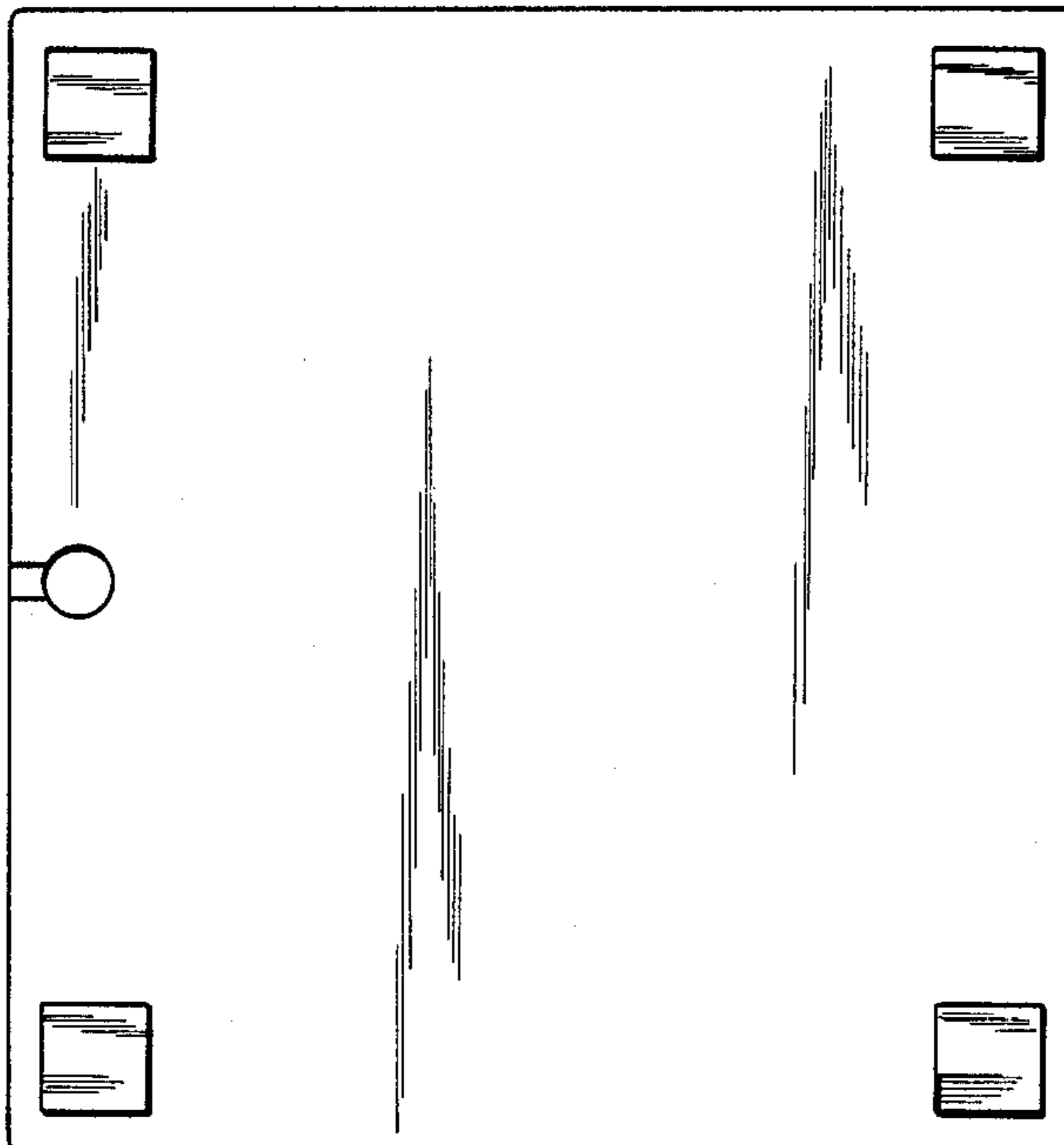


FIG. 6