

[54] PORTABLE COMPUTER MAINTENANCE SYSTEM

[75] Inventors: Eugene J. Takach, Jr., Lake Zurich; Charles H. Culp, Mundelein, both of Ill.

[73] Assignee: Honeywell Inc., Minneapolis, Minn.

[**] Term: 14 Years

[21] Appl. No.: 42,392

[22] Filed: Apr. 24, 1987

[52] U.S. Cl. D14/106

[58] Field of Search D14/100, 102, 105, 106, D14/107, 109, 113, 115; D18/1, 2, 6, 7, 11, 12, 13; 340/700, 706, 711, 712; 341/22, 23; 364/706-710, 130, 144, 189; 235/145 A, 145 R; 400/681, 680, 682, 685, 690, 691, 690.1, 693; 312/208; 358/248, 249, 254

[56] References Cited

U.S. PATENT DOCUMENTS

D. 263,710	4/1982	Asano	D14/106
D. 282,843	3/1986	Kurihara	D14/100
D. 288,566	3/1987	Chin et al.	D14/106
D. 289,177	4/1987	Sawada	D18/7
D. 291,442	8/1987	Kurihara	D18/1 X
4,527,149	7/1985	Swensen	400/682 X
4,718,740	1/1988	Cox	312/208
4,725,157	2/1988	Nakai et al.	D18/1 X

FOREIGN PATENT DOCUMENTS

381443 9/1923 Fed. Rep. of Germany 400/681

OTHER PUBLICATIONS

BYTE Publications Inc., 1983 p. 85-Portable Computer, Computer Box. 290.
The Washington Post Magazine 10-1983 (p. 57) Portable Computer Magazine Box.

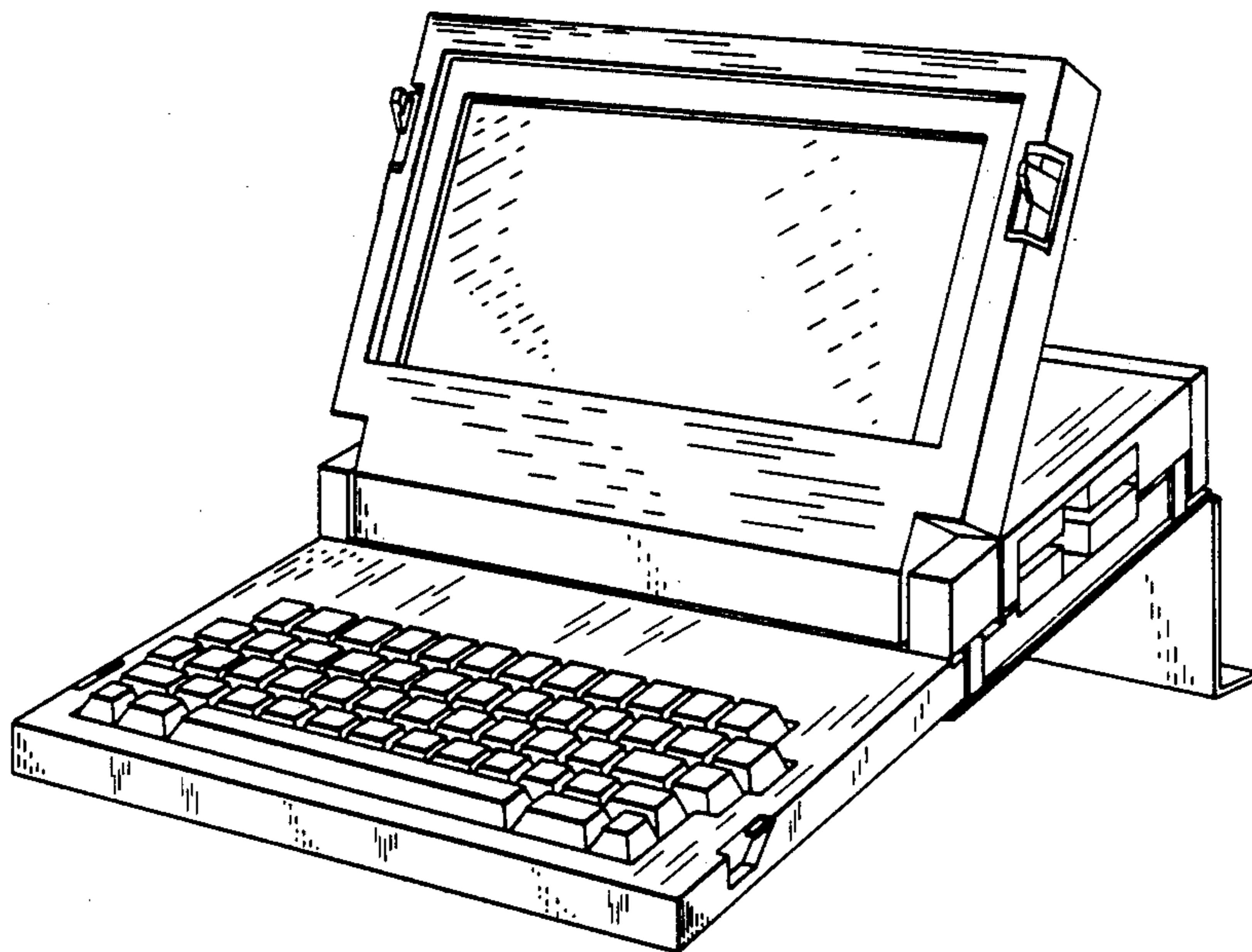
Primary Examiner—Susan J. Lucas
Assistant Examiner—Freda S. Nunn
Attorney, Agent, or Firm—Donald J. Lenkszus

[57] CLAIM

The ornamental design for a portable computer maintenance system, as shown and described.

DESCRIPTION

FIG. 1 is a top plan view of a portable computer maintenance system showing our new design;
FIG. 2 is a front elevational view thereof;
FIG. 3 is a rear elevational view;
FIG. 4 is a bottom plan view thereof;
FIG. 5 is a right side elevational view thereof, the rear plate extended down;
FIG. 6 is a left side elevational view thereof, the rear plate extended down;
FIG. 7 is a top, front right side perspective view thereof, the rear plate extended down;
FIG. 8 is a top, left rear perspective view thereof, the rear plate extended down; and
FIG. 9 is a right side elevational view thereof with the computer display folded down and the rear plate swung up.



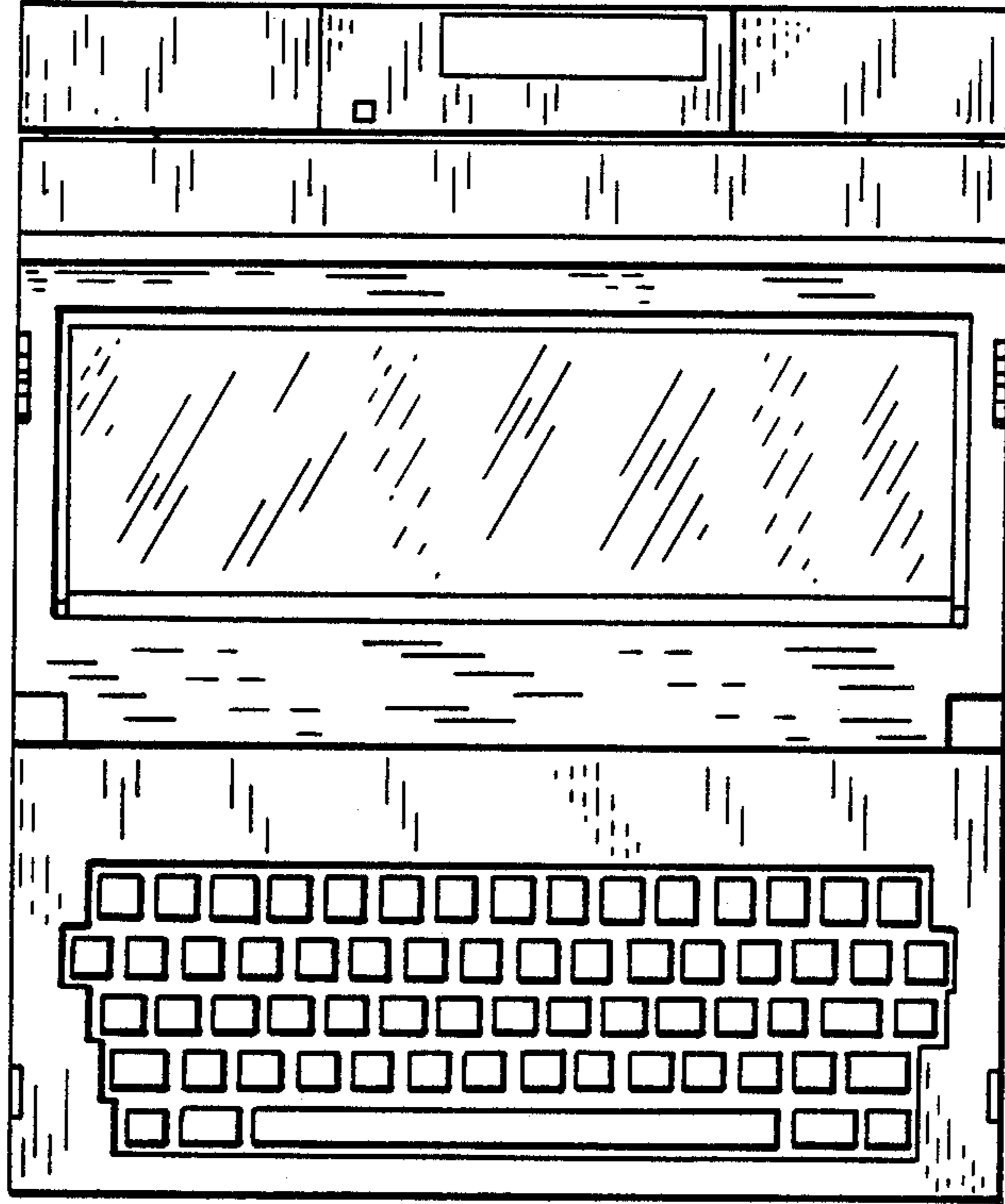


Fig. 1

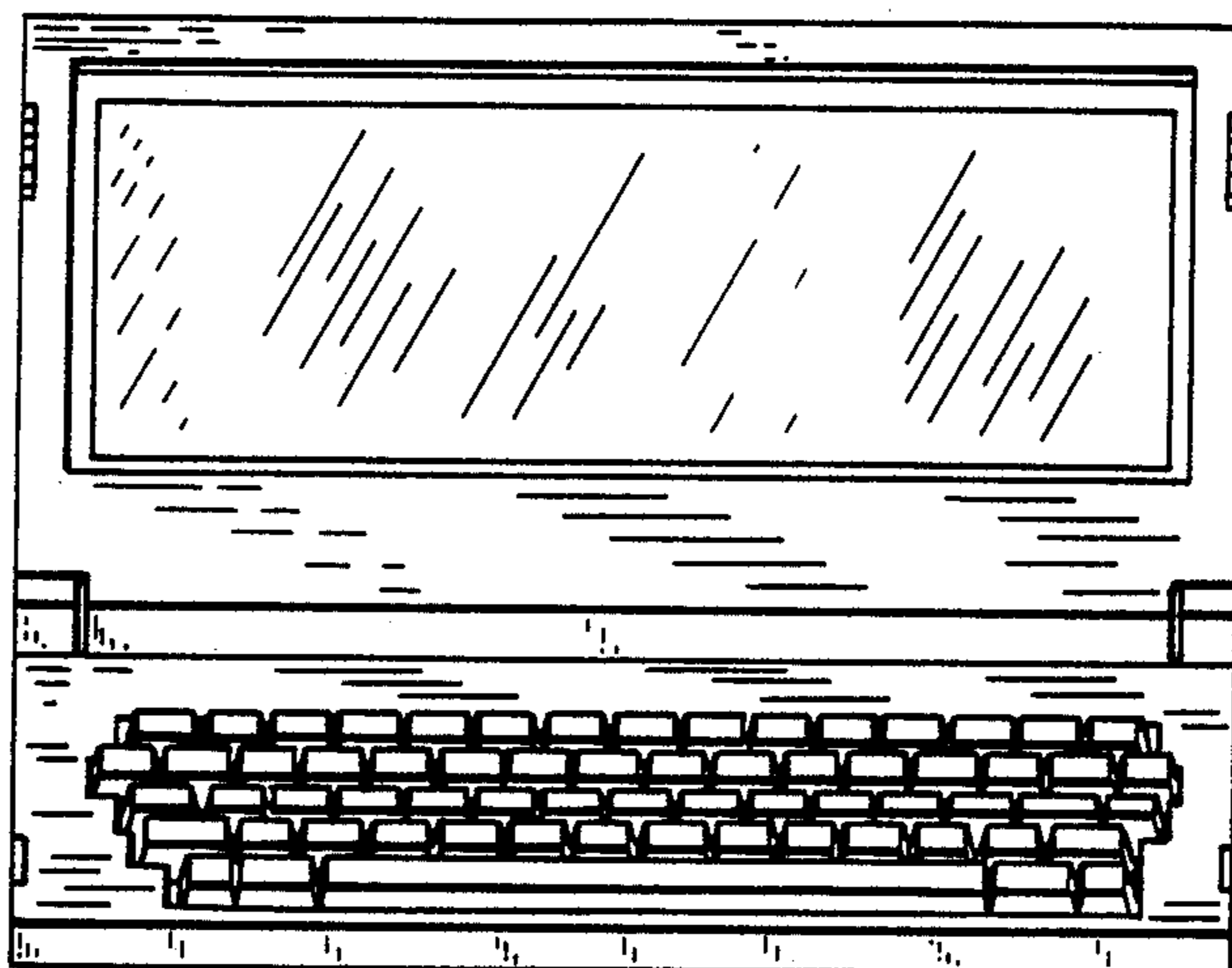


Fig. 2



Fig. 3

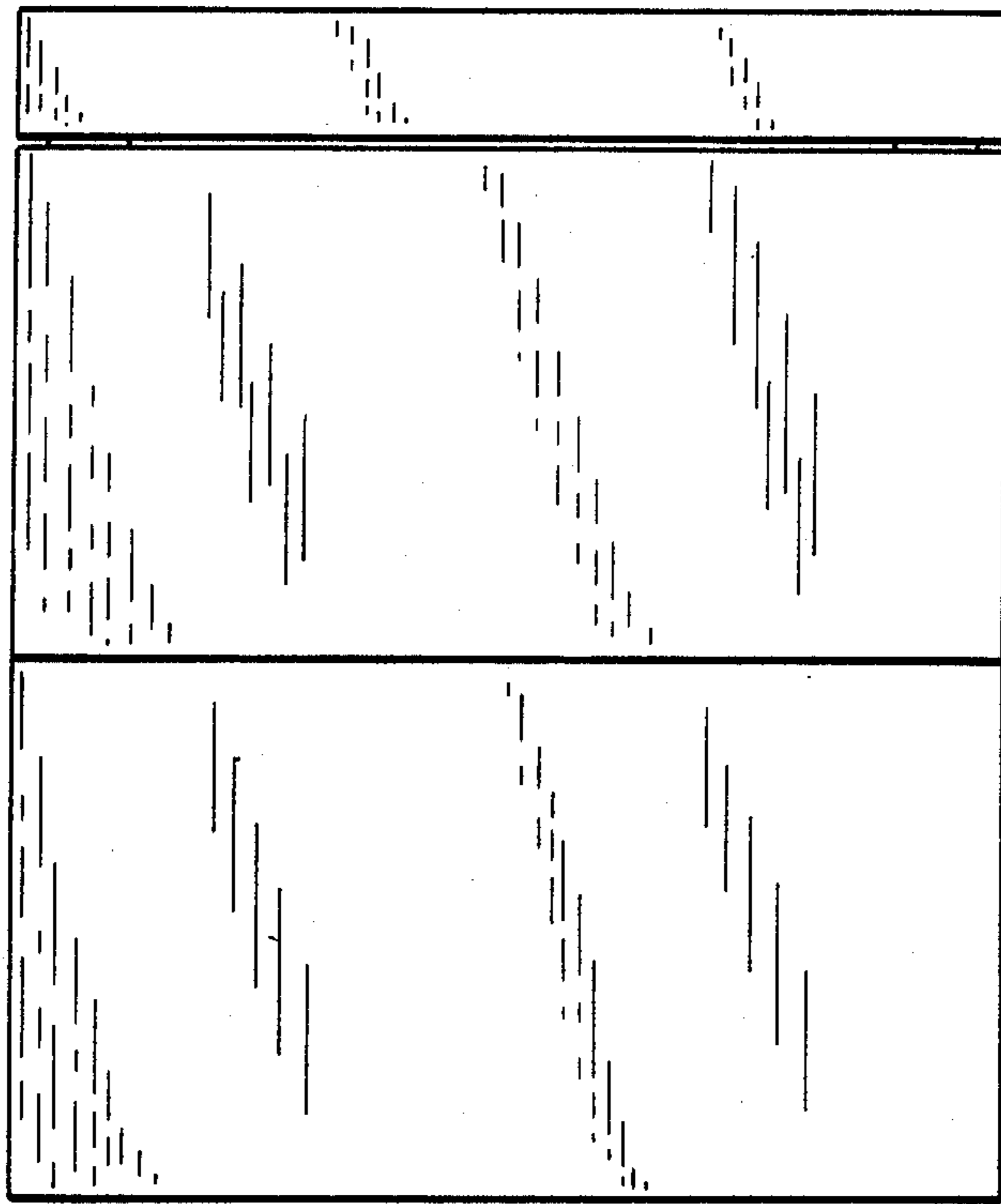


Fig. 4

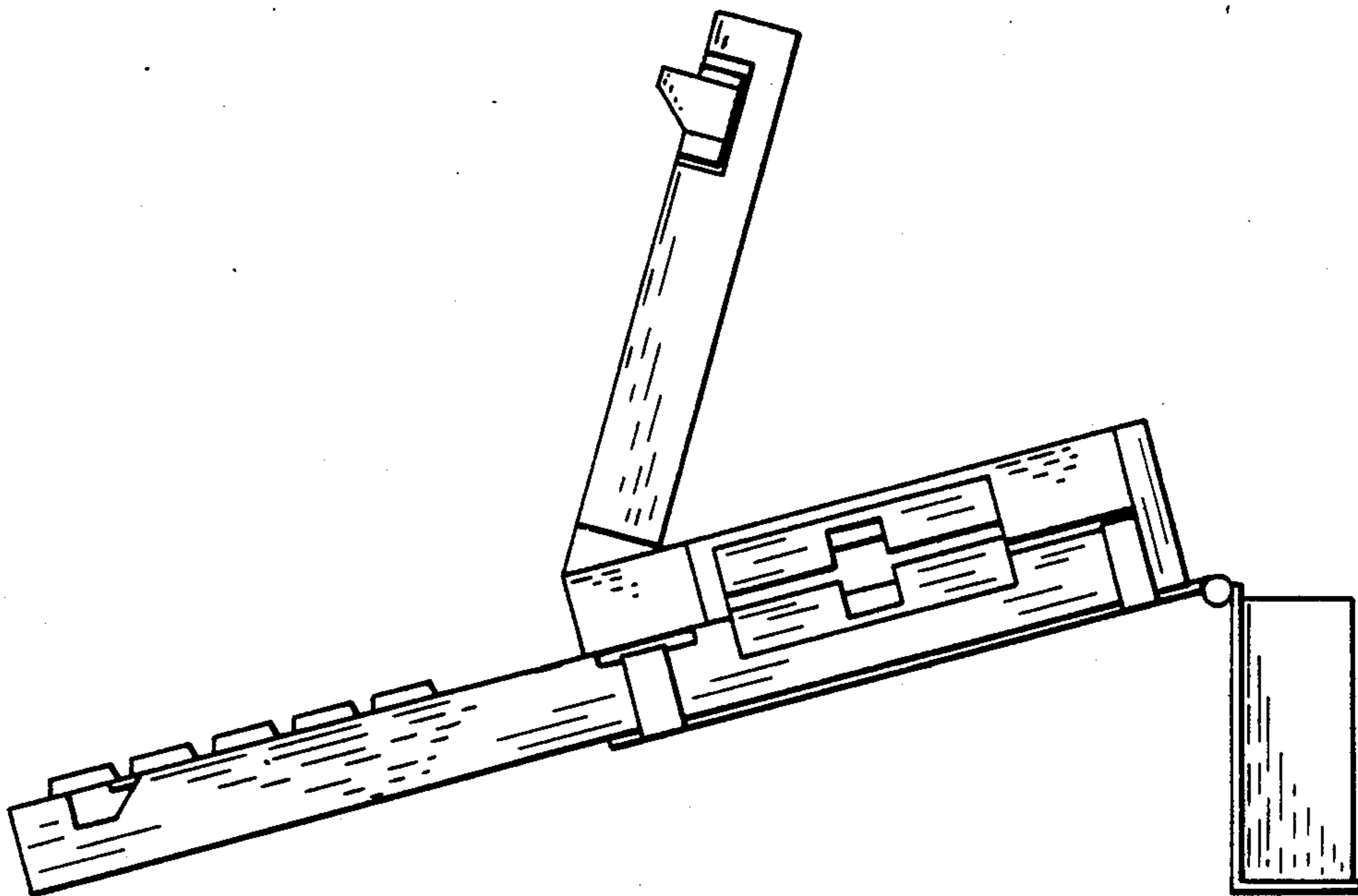


Fig. 5

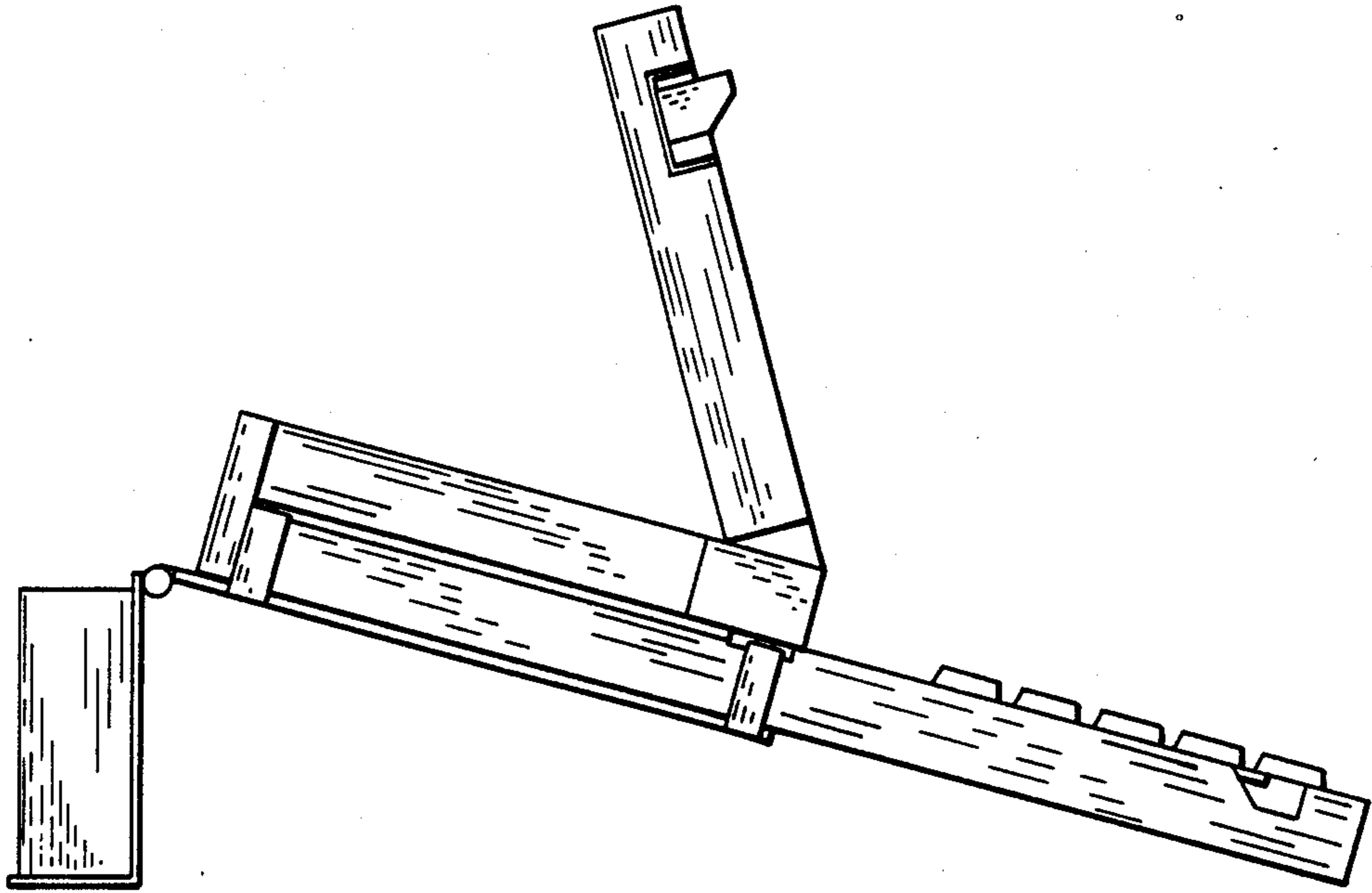


Fig. 6

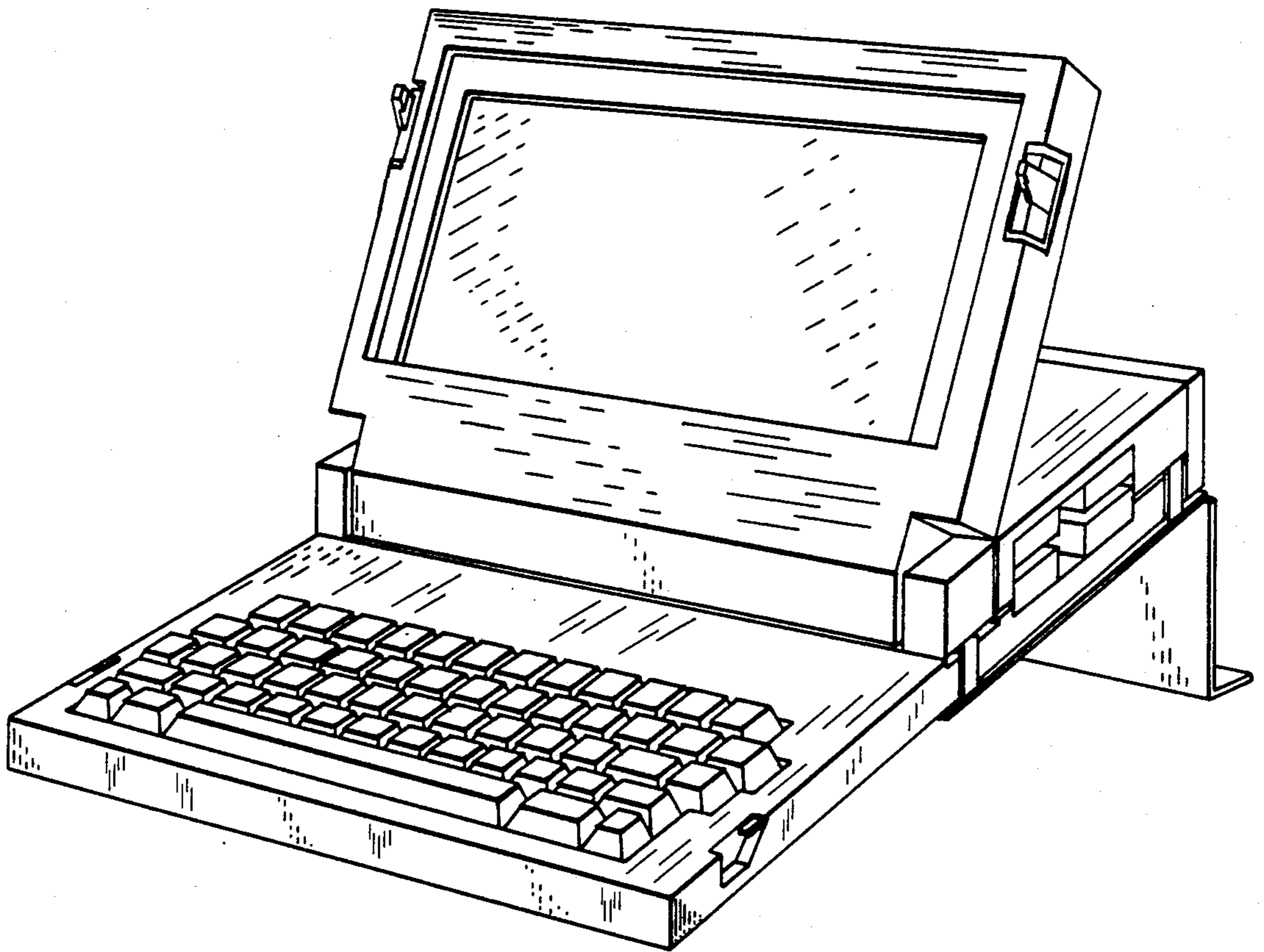


Fig. 7

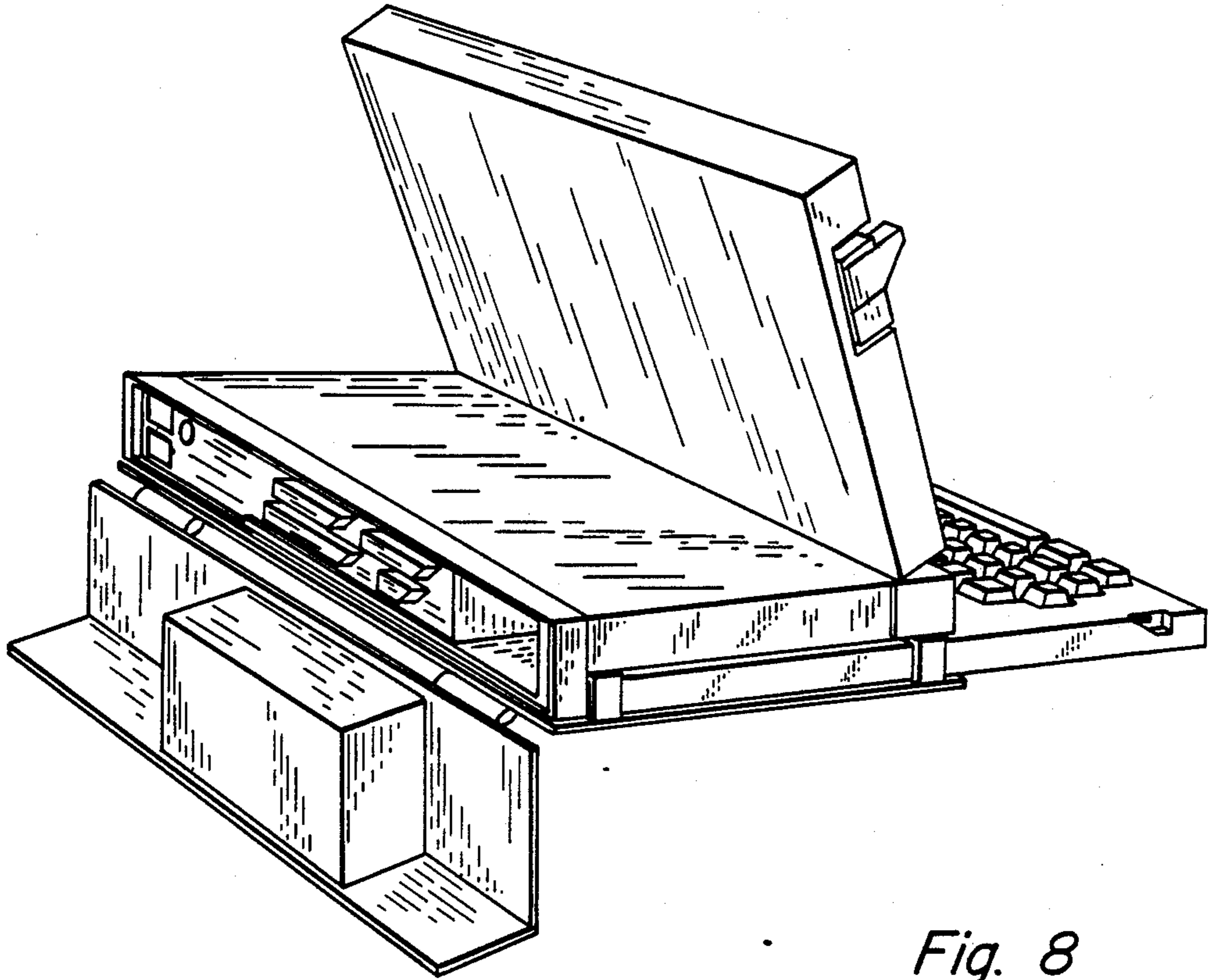


Fig. 8

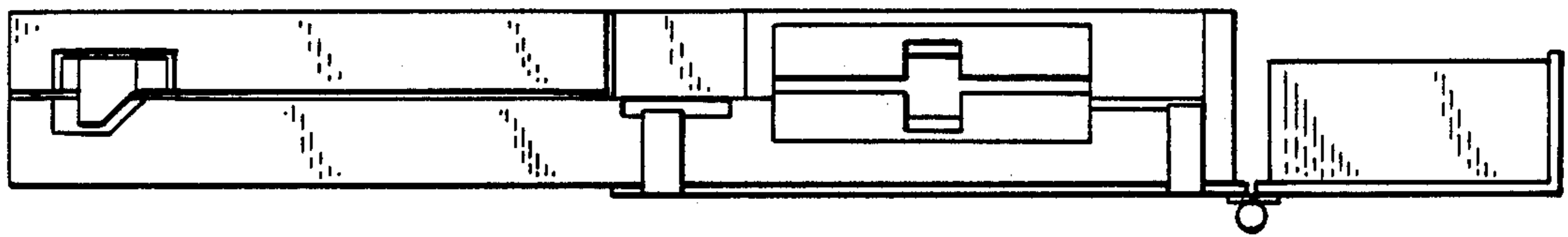


Fig. 9