

[54] HOUSING FOR AN ELECTRICAL CONNECTOR

4,711,508 12/1987 Sueyoshi 439/595
4,758,182 7/1988 Anbo et al. 439/586 X

[75] Inventors: Takayoshi Endo; Tamio Watanabe; Satoshi Yamada, all of Gotenba, Japan

Primary Examiner—Susan J. Lucas
Attorney, Agent, or Firm—Jones, Askew & Lunsford

[73] Assignee: Yazaki Corporation, Japan

[57] CLAIM

[**] Term: 14 Years

The ornamental design for a housing for an electrical connector, as shown and described.

[21] Appl. No.: 108,302

DESCRIPTION

[22] Filed: Oct. 13, 1987

[52] U.S. Cl. D13/133

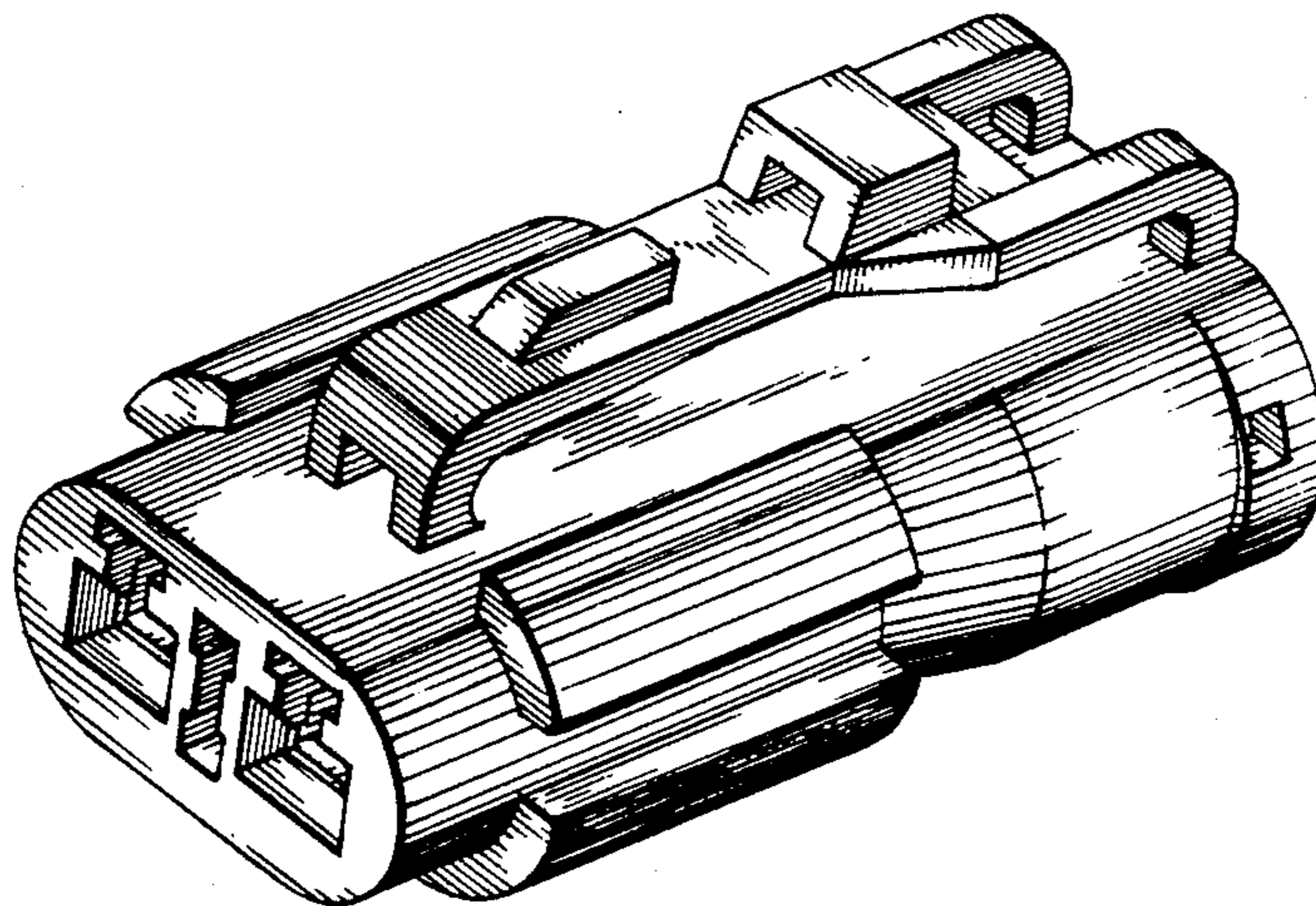
[58] Field of Search D13/24, 27-31; 439/578, 586-592, 595, 598, 603, 606, 607; 610/629, 630, 631, 680, 681, 692, 347, 350

FIG. 1 is a top, front perspective view of a housing for an electrical connector showing our new design; FIG. 2 is a front elevation view thereof; FIG. 3 is a right side elevation view thereof, the left side being a mirror image; FIG. 4 is a top plan view thereof; FIG. 5 is a rear elevation view thereof; FIG. 6 is a bottom plan view thereof; FIG. 7 is a cross-section thereof as taken along line 7—7 of FIG. 5; FIG. 8 is a cross-section thereof as taken along line 8—8 of FIG. 5; FIG. 9 is a cross-section thereof as taken along line 9—9 of FIG. 2; FIG. 10 is a cross-section thereof as taken along line 10—10 of FIG. 3.

[56] References Cited

U.S. PATENT DOCUMENTS

D. 251,906	5/1979	Frantz et al.	D13/24
D. 253,409	11/1979	Voelkert	D13/24
D. 272,144	1/1984	Mayumi	D13/24
3,137,535	6/1964	Collier et al.	439/680 X
3,366,729	1/1968	Pauza	D13/24 X
4,431,252	2/1984	Cairns et al.	439/595 X
4,557,542	12/1985	Coller et al.	439/595



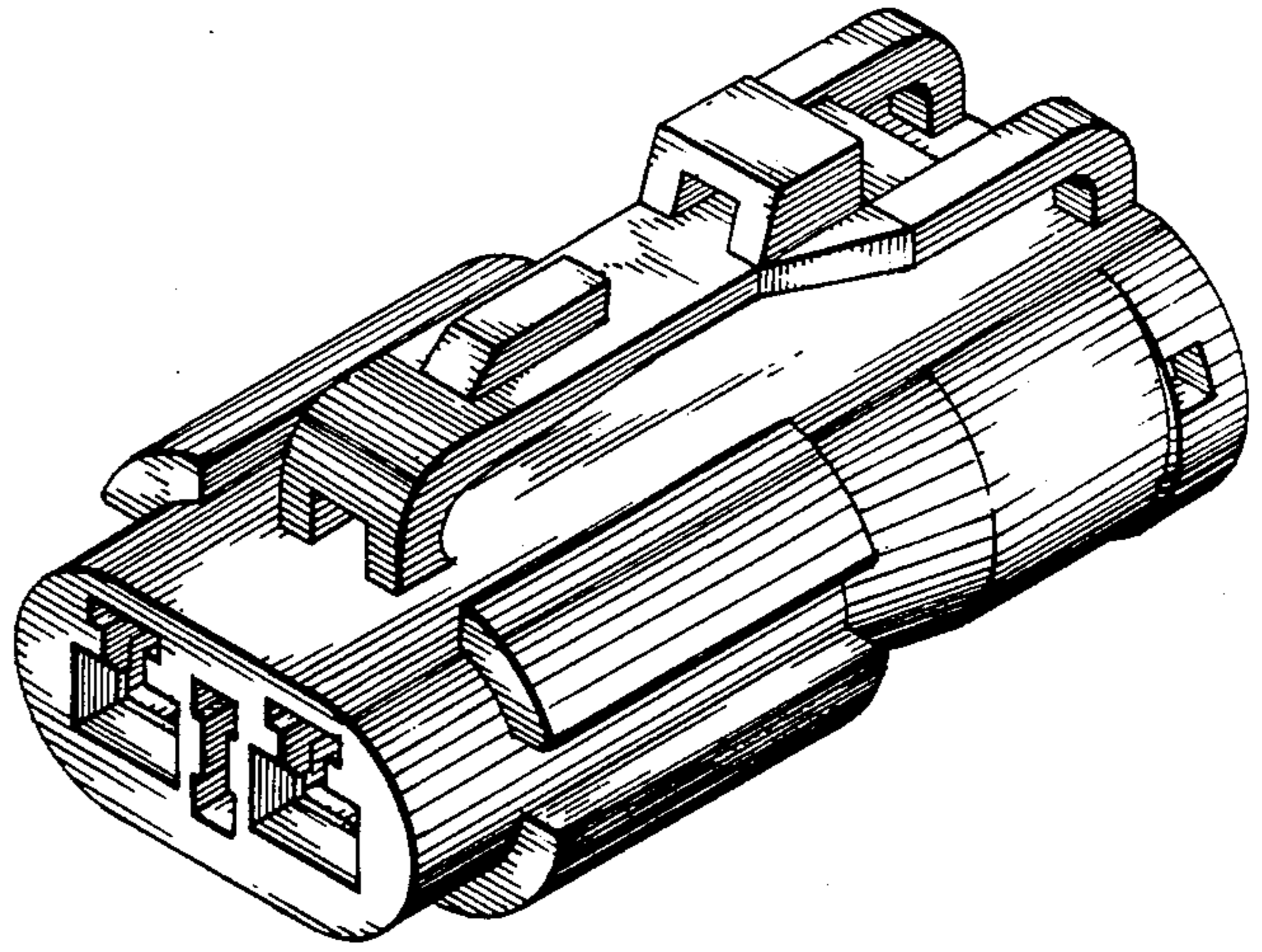


FIG 1

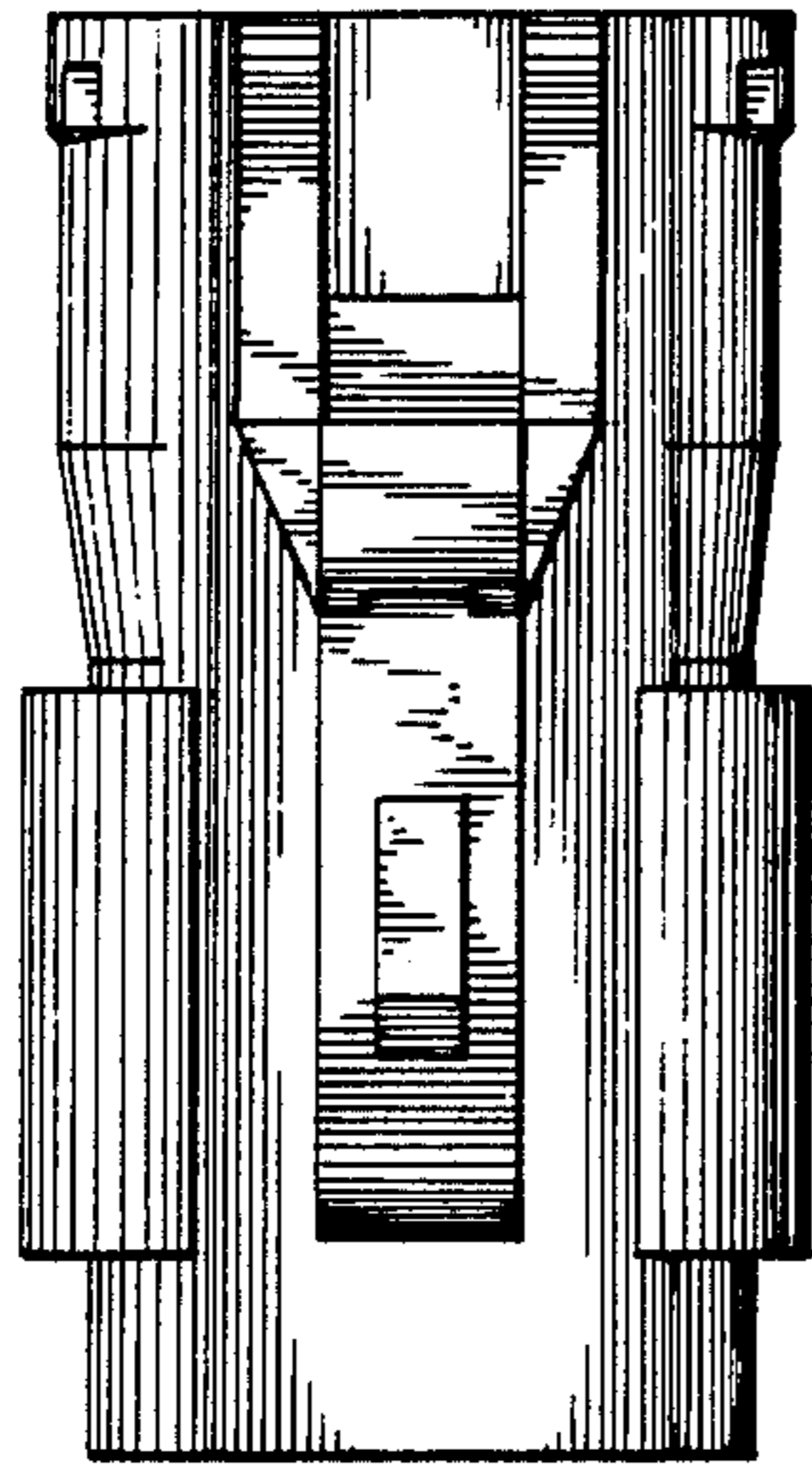


FIG 4

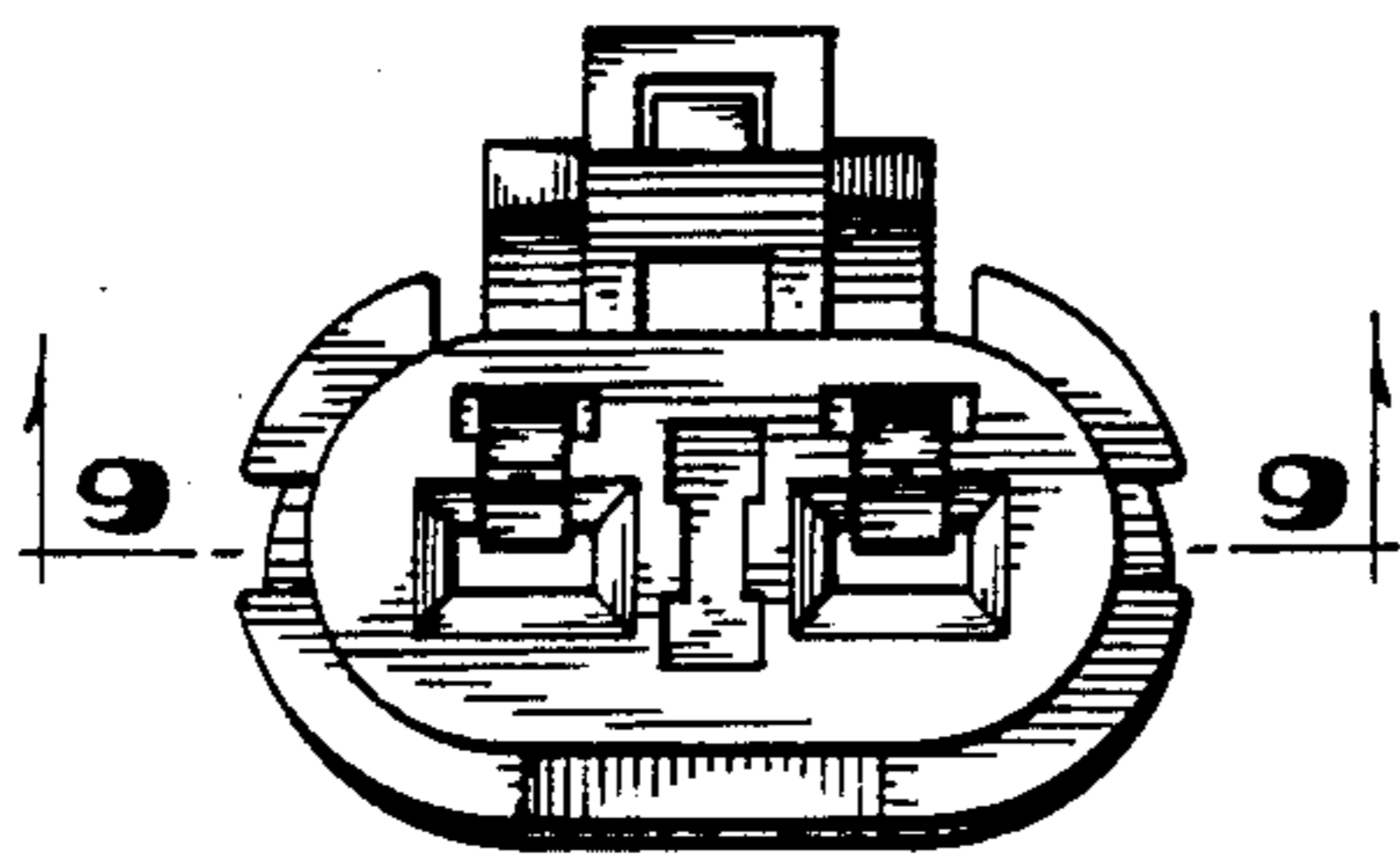


FIG 2

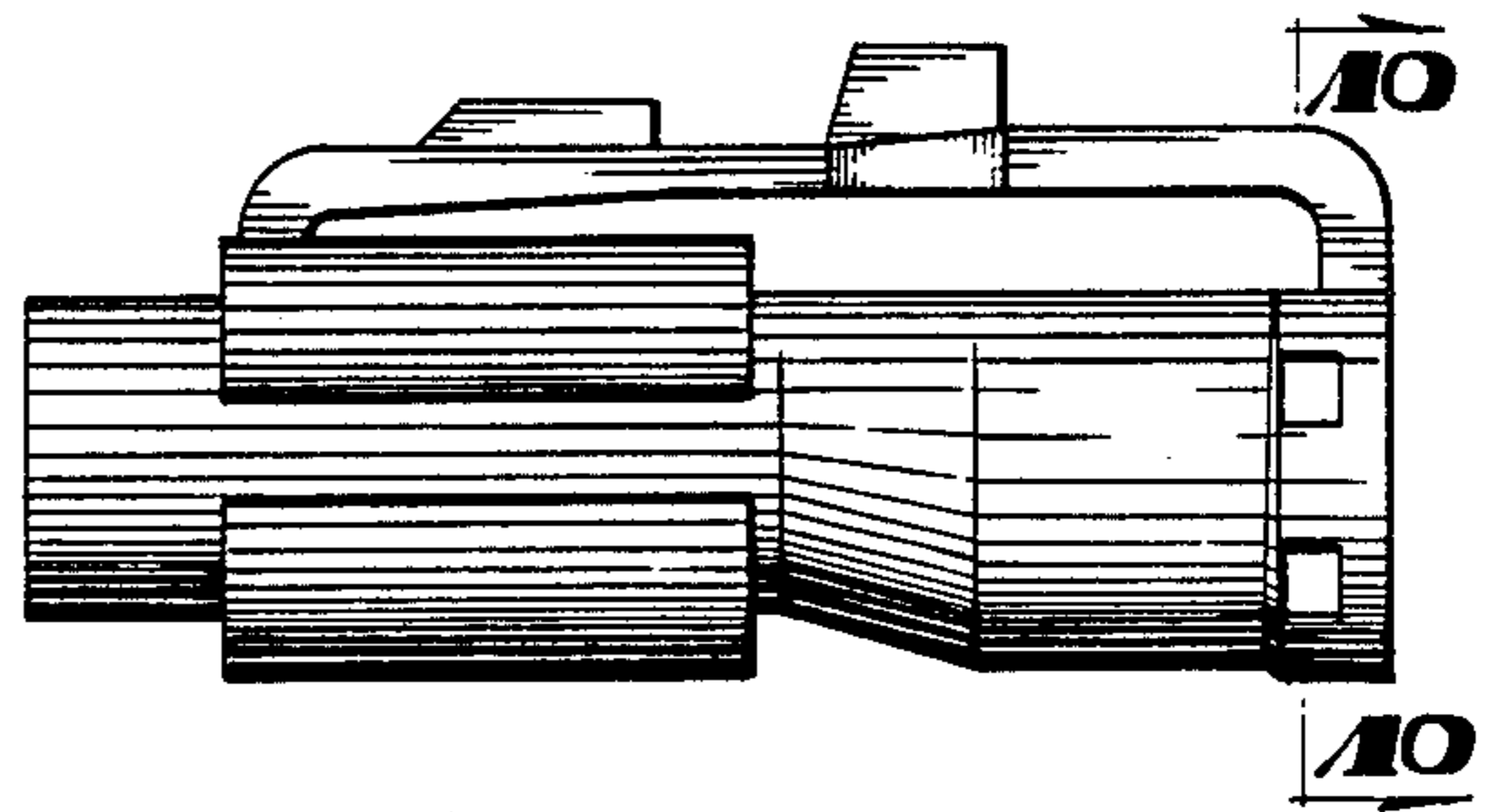


FIG 3

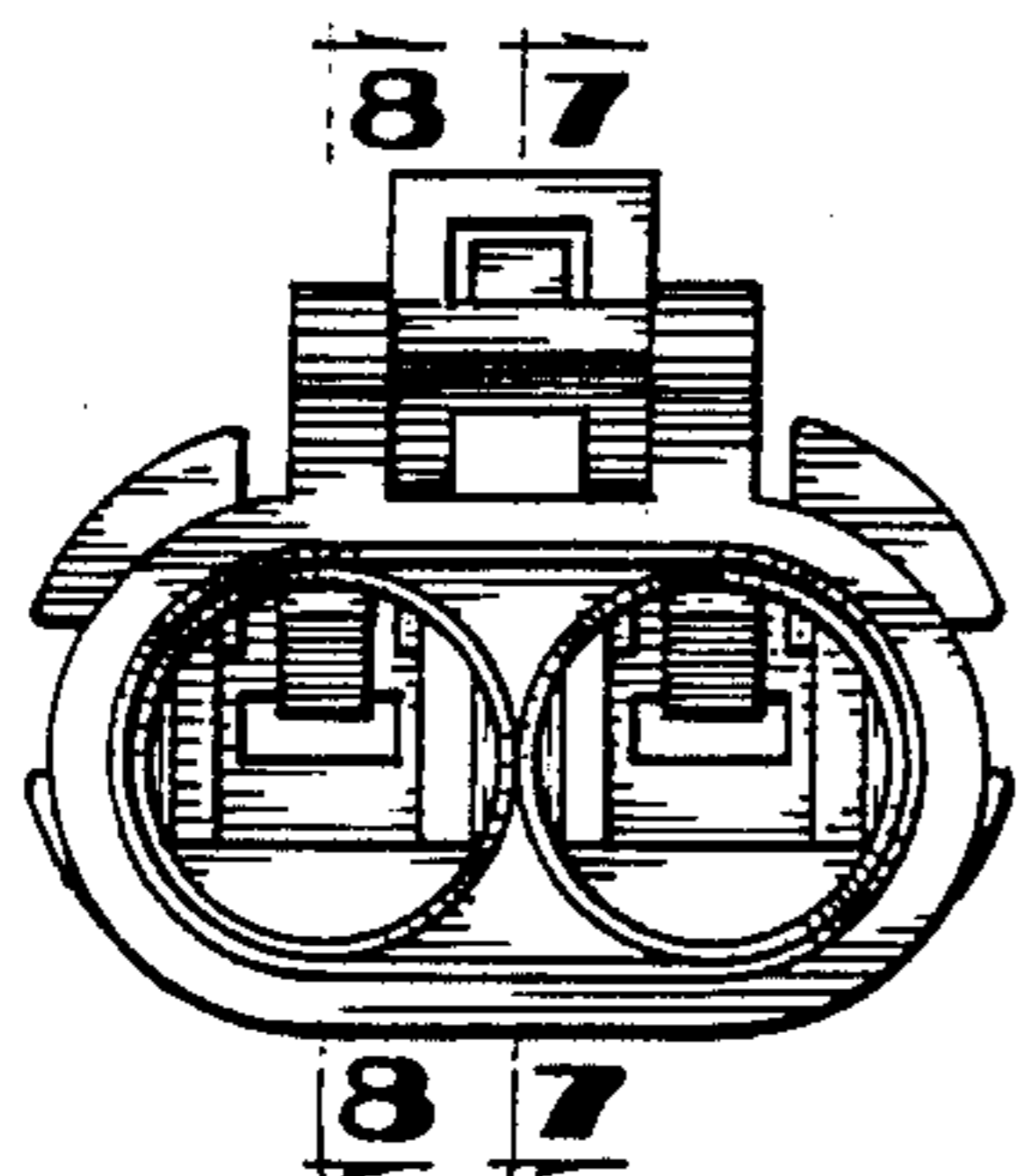


FIG 5

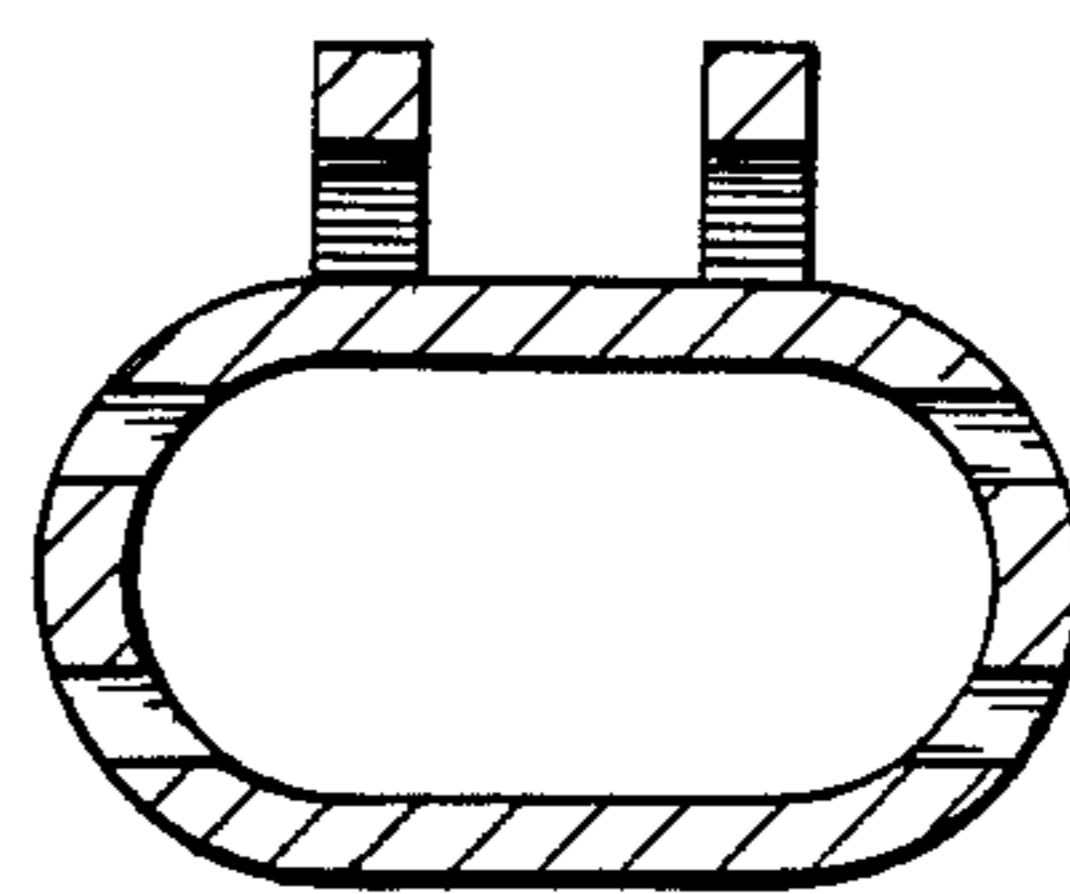


FIG 10

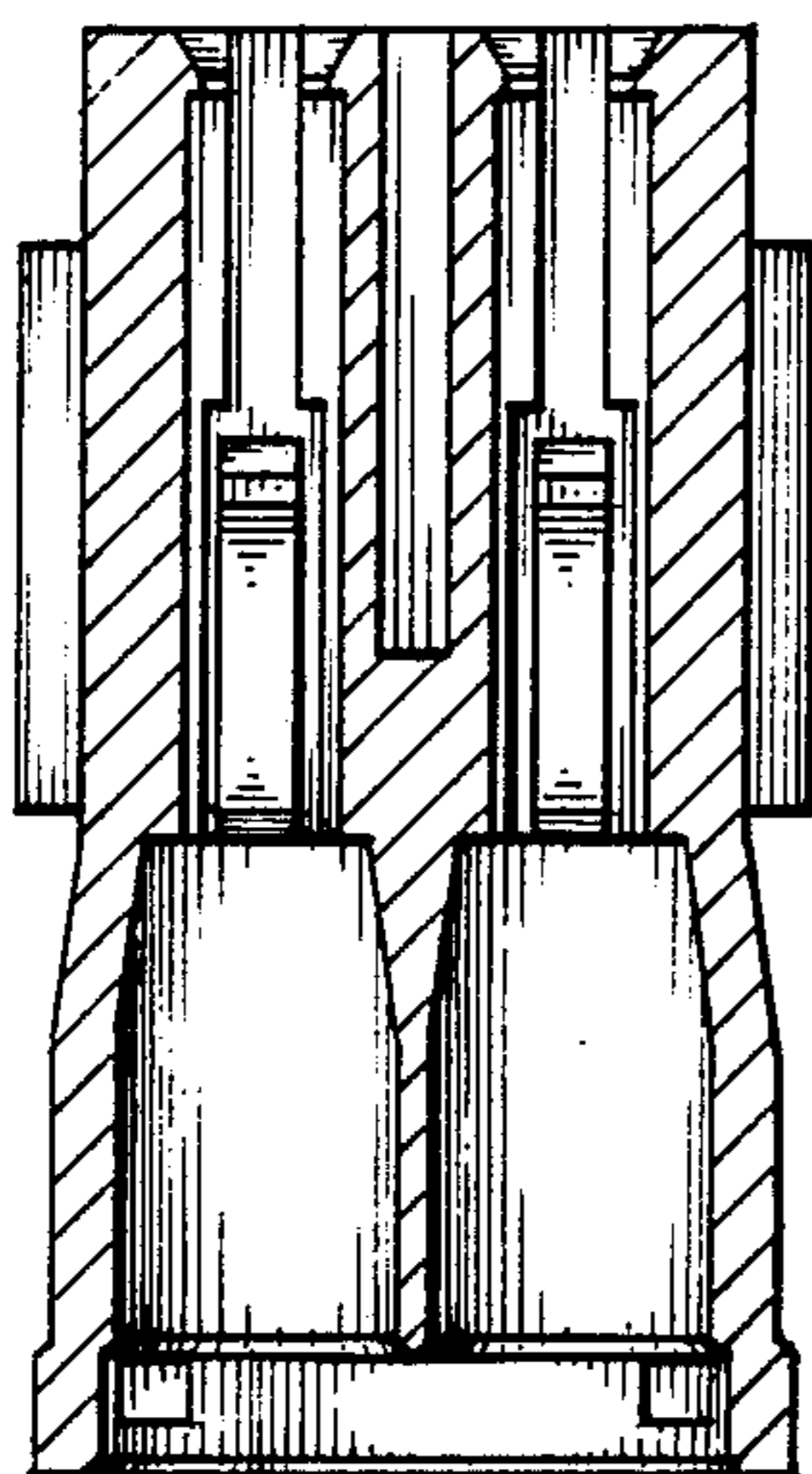


FIG 9

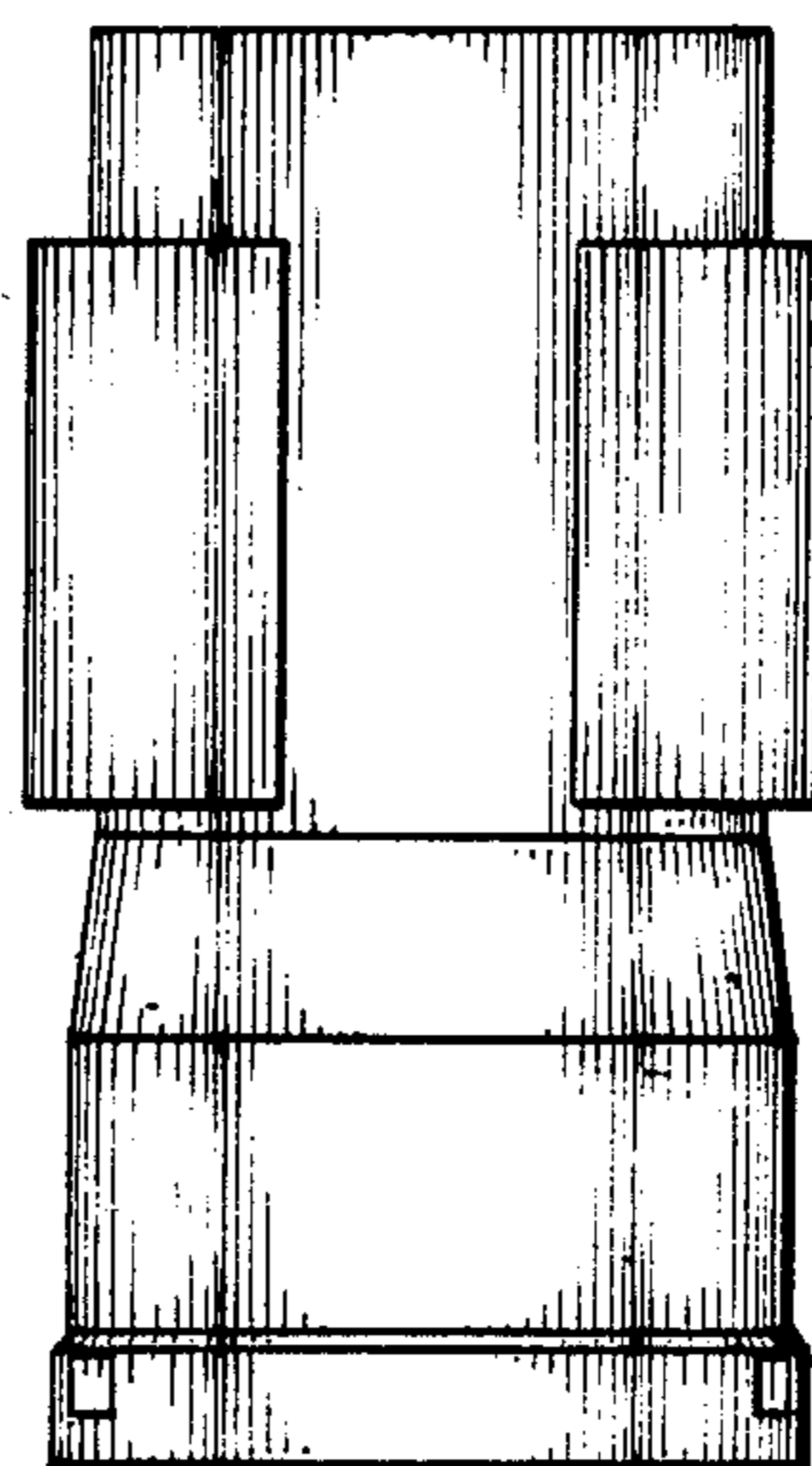


FIG 6

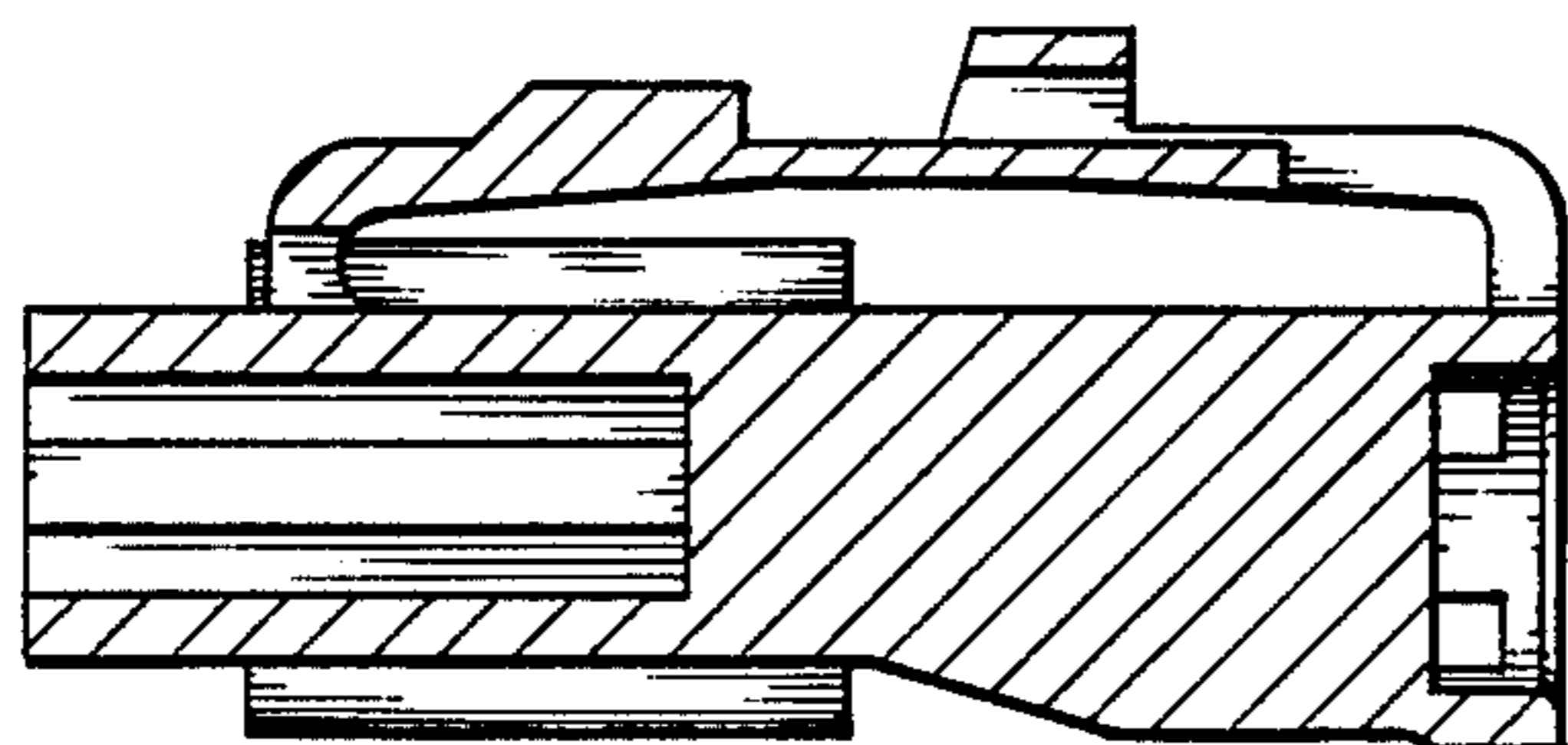


FIG 7

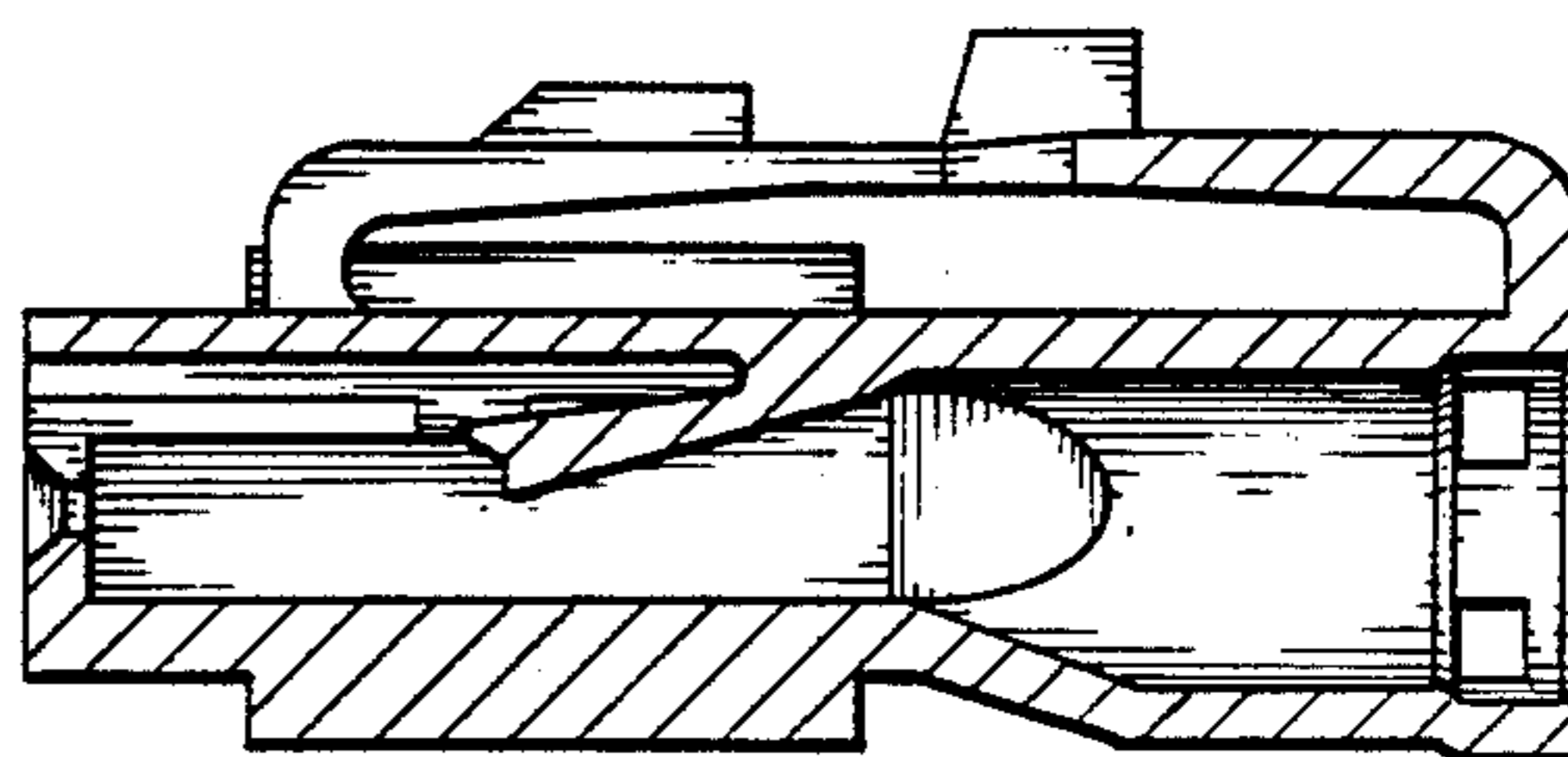


FIG 8