

[54] HOUSING FOR AN ELECTRICAL CONNECTOR

[75] Inventors: Toshihiko Makita; Yusaku Kioka, both of Kosai, Japan

[73] Assignee: Yazaki Corporation, Japan

[**] Term: 14 Years

[21] Appl. No.: 108,298

[22] Filed: Oct. 13, 1987

[52] U.S. Cl. D13/146

[58] Field of Search D13/24, 27-31; 439/578, 586-592, 595, 598, 603, 606, 607; 610/629, 630, 631, 680, 681, 692, 347, 350

[56] References Cited

U.S. PATENT DOCUMENTS

D. 251,491	4/1979	Snyder, Jr. et al.	D13/24
D. 252,082	6/1979	Voelkert	D13/24
3,137,535	6/1964	Collier et al.	439/680 X
3,366,729	1/1968	Pauza	D13/24 X
4,557,542	12/1985	Coller et al.	439/595
4,639,061	1/1987	Muzslay	439/587
4,711,508	12/1987	Sueyoshi	439/595

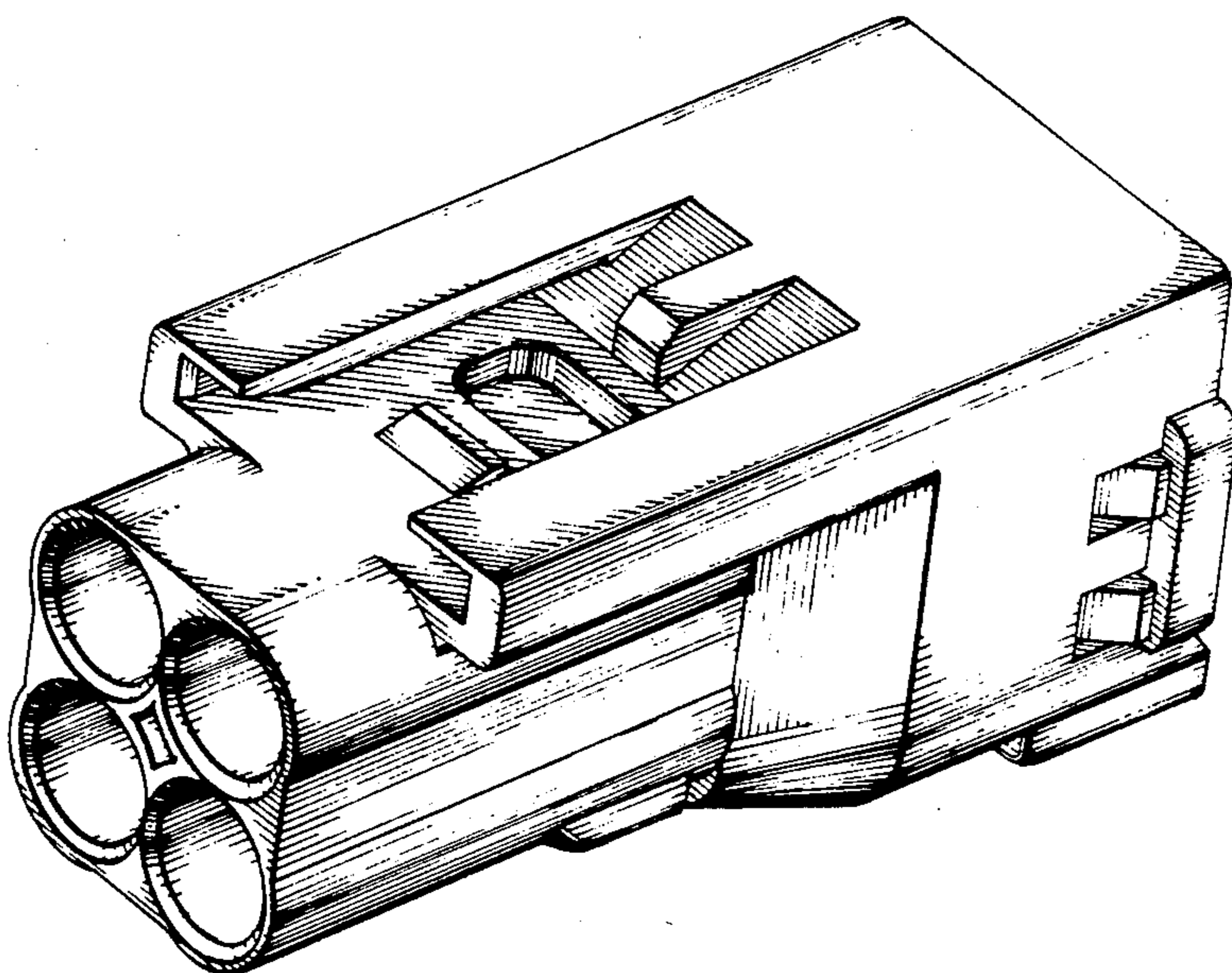
Primary Examiner—Susan J. Lucas
Attorney, Agent, or Firm—Jones, Askew & Lunsford

[57] CLAIM

The ornamental design for a housing for an electrical connector, as shown and described.

DESCRIPTION

FIG. 1 is a top, front perspective view of a housing for an electrical connector showing our new design;
 FIG. 2 is a front elevation view thereof;
 FIG. 3 is a top plan view thereof;
 FIG. 4 is a right side elevation view thereof;
 FIG. 5 is a left elevation view thereof;
 FIG. 6 is a bottom plan view thereof;
 FIG. 7 is a rear elevation view thereof;
 FIG. 8 is a cross-section view thereof as taken along line 8—8 of FIG. 7;
 FIG. 9 is a cross-section view thereof as taken along line 9—9 of FIG. 7;
 FIG. 10 is a cross-section view thereof as taken along line 10—10 of FIG. 7;
 FIG. 11 is a cross-section view thereof as taken along line 11 of FIG. 7.



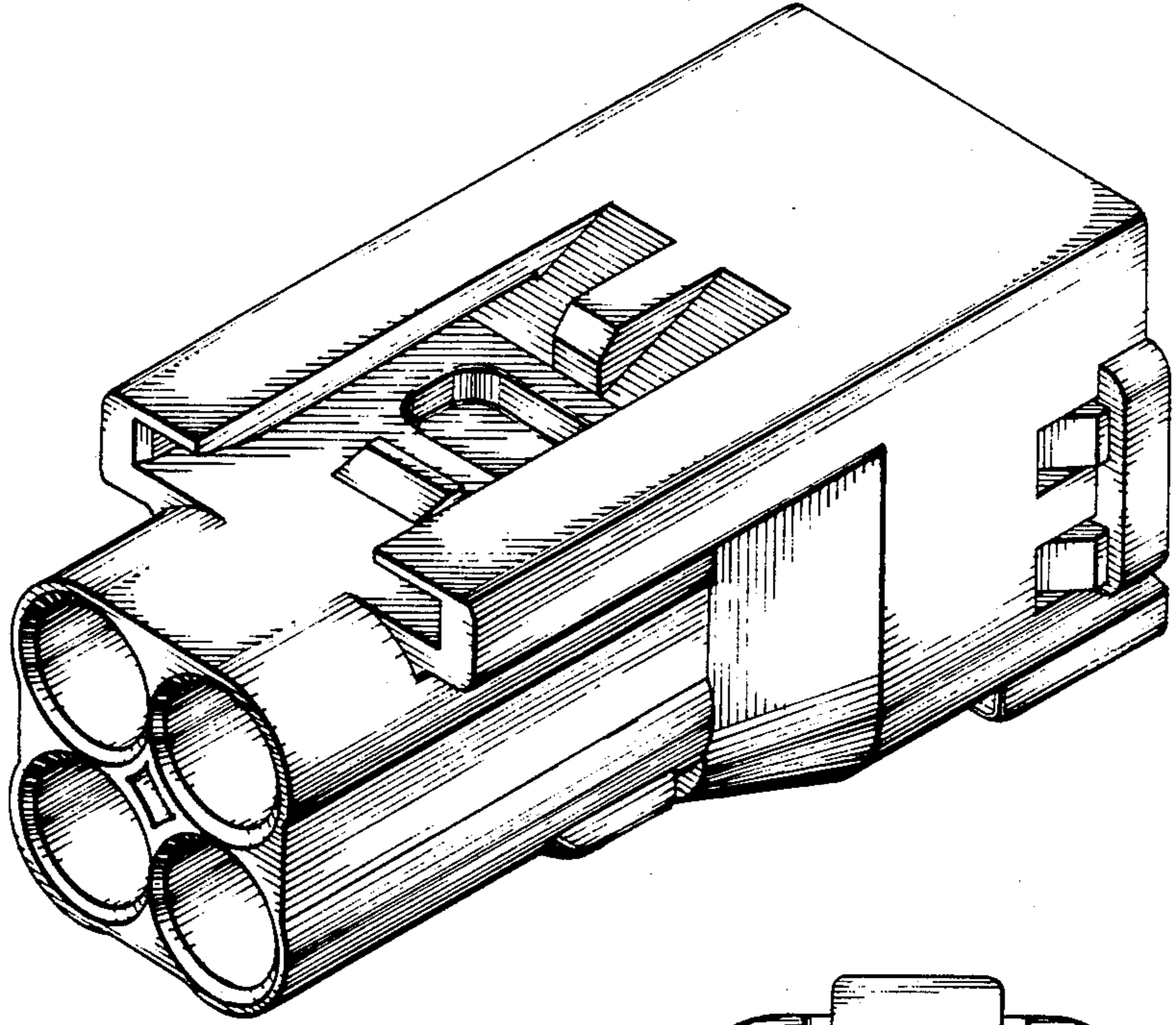


FIG 1

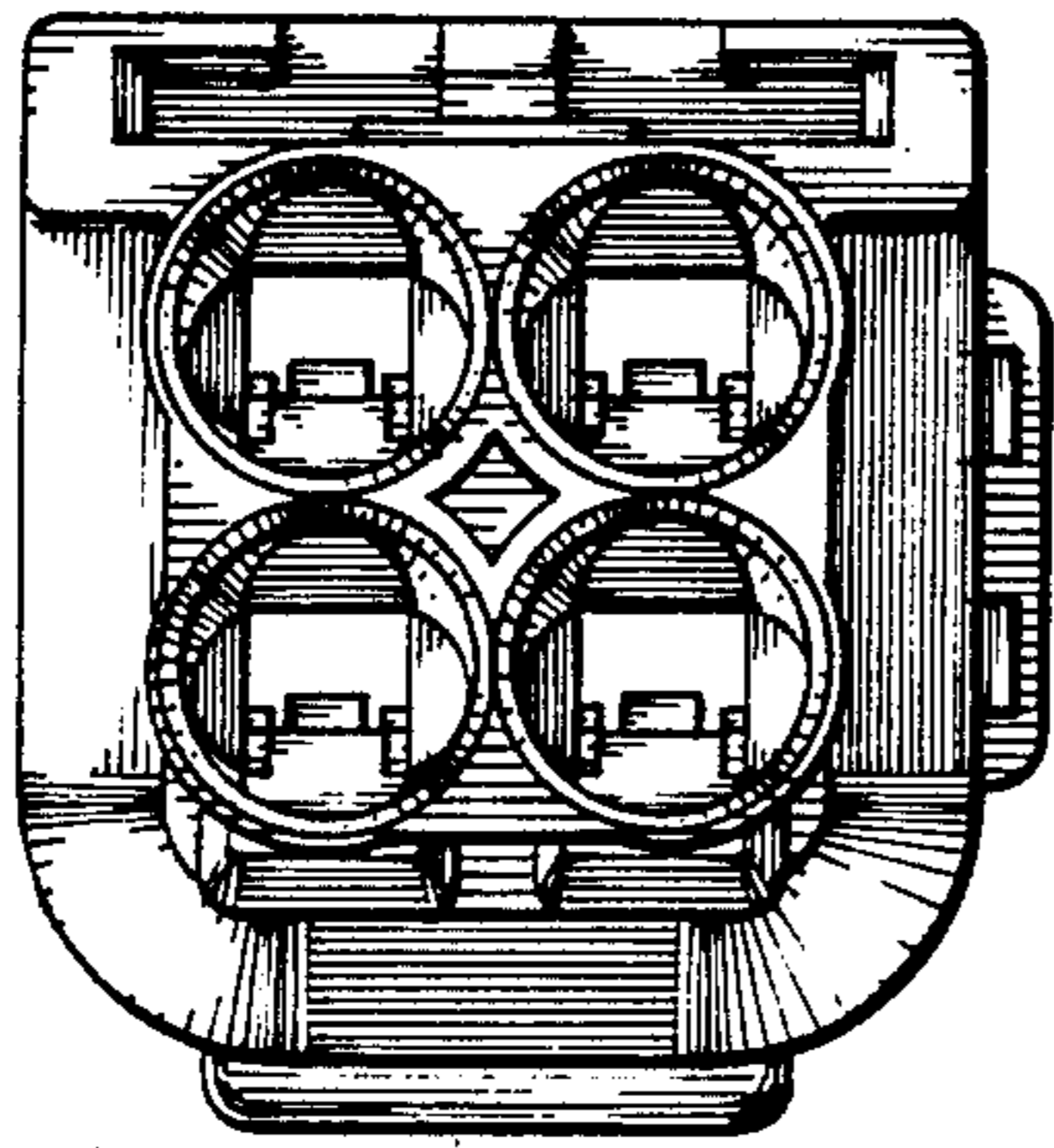


FIG 2

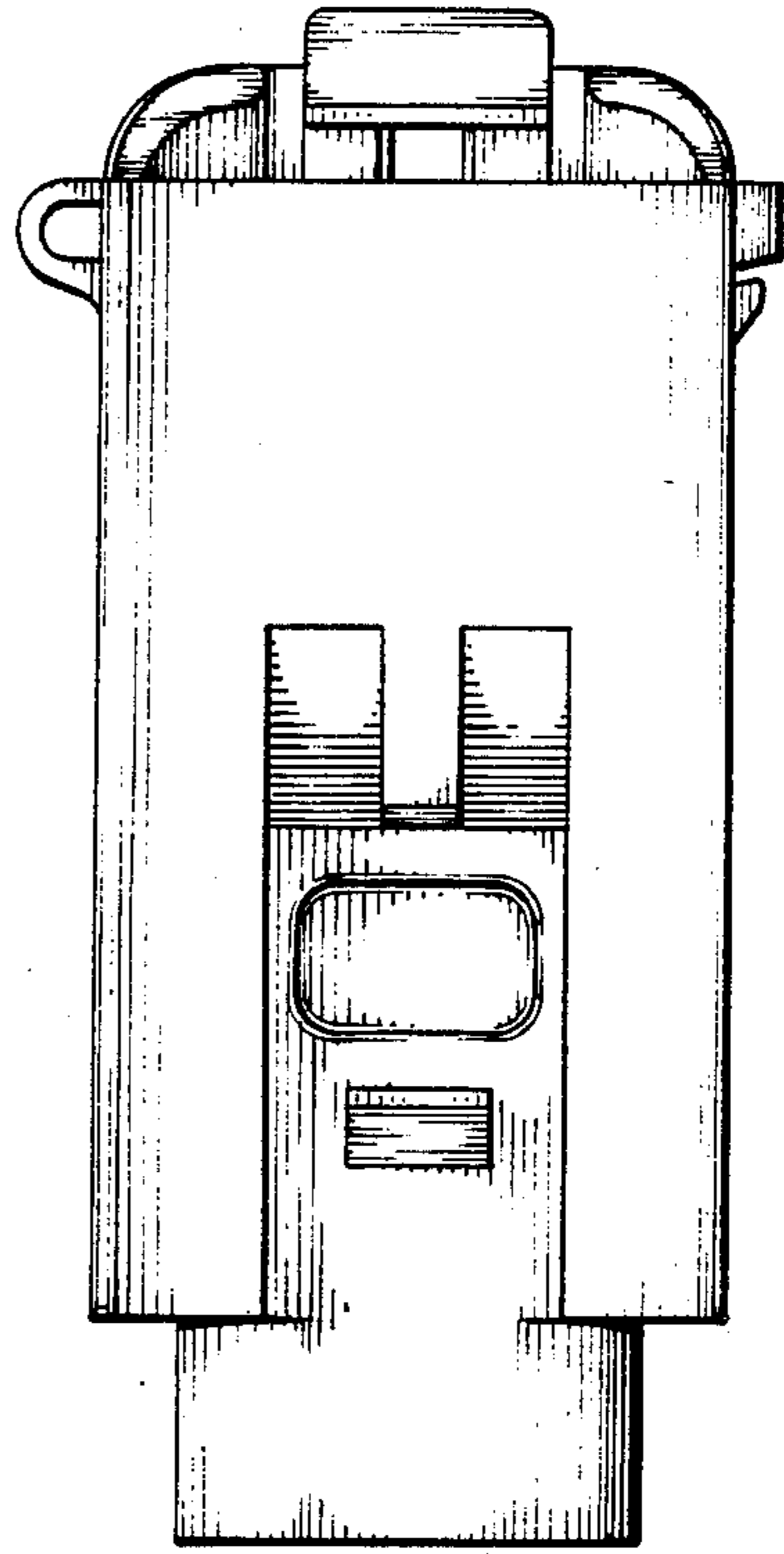


FIG 3

FIG 4

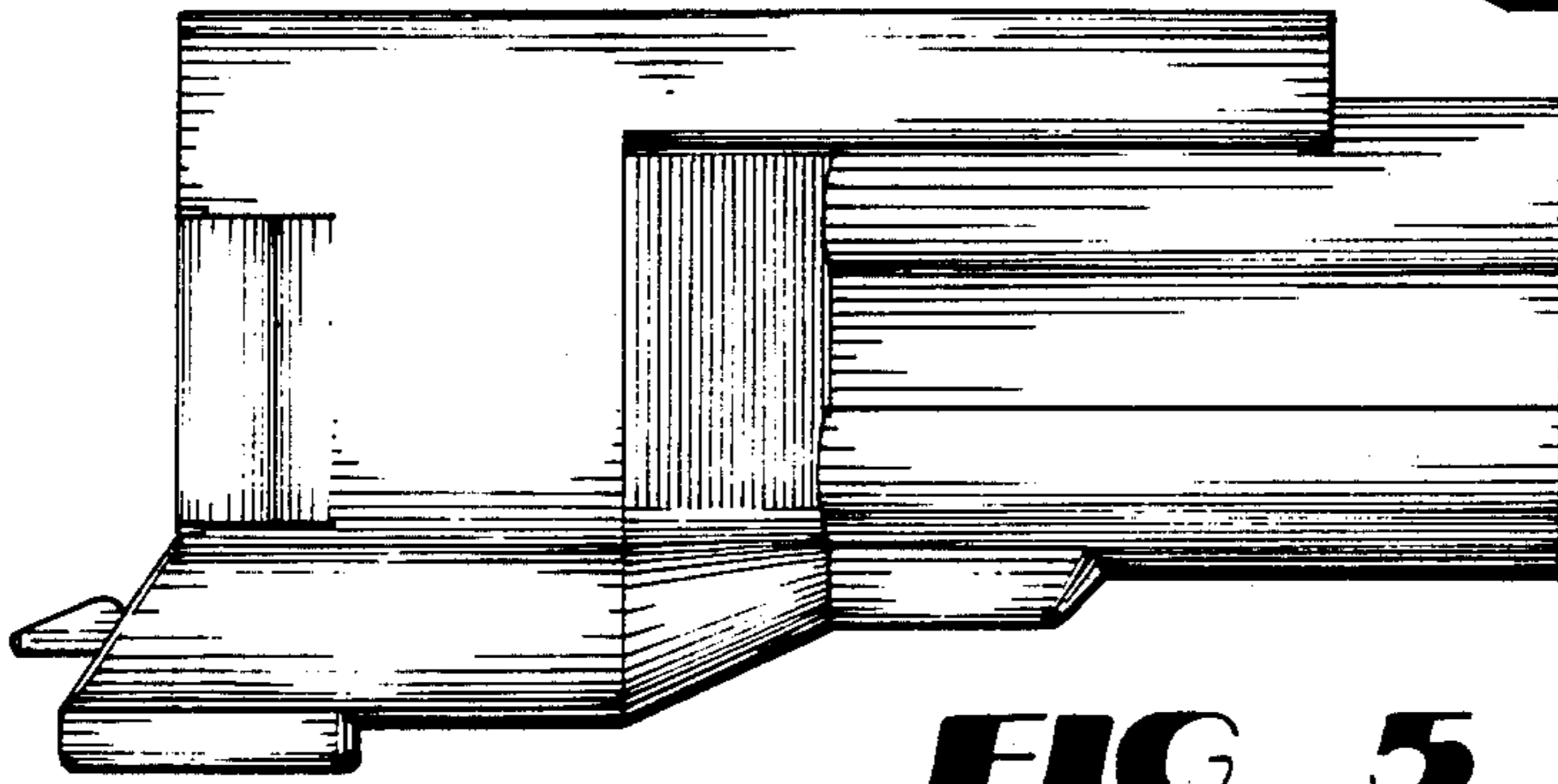
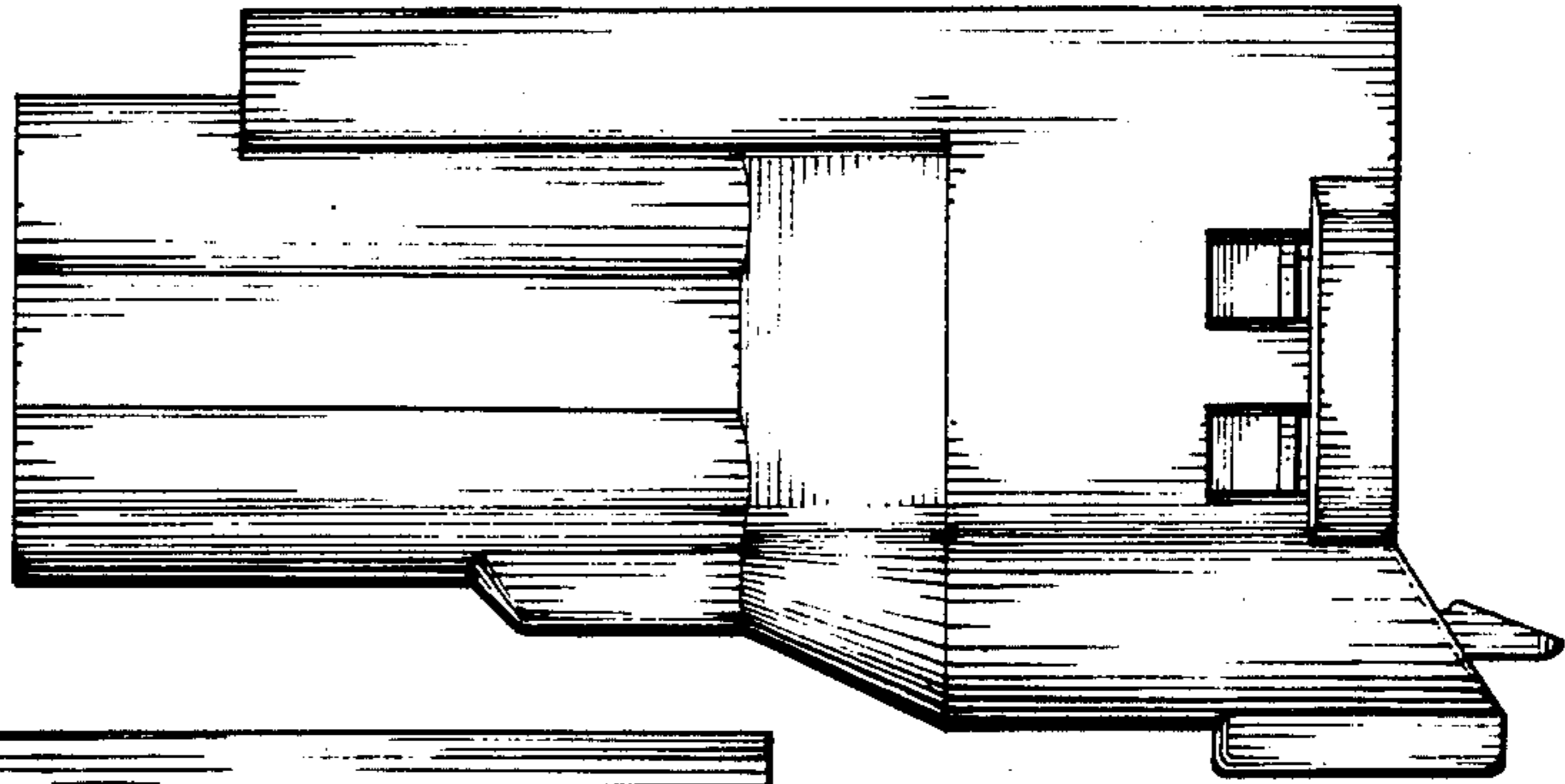


FIG 5

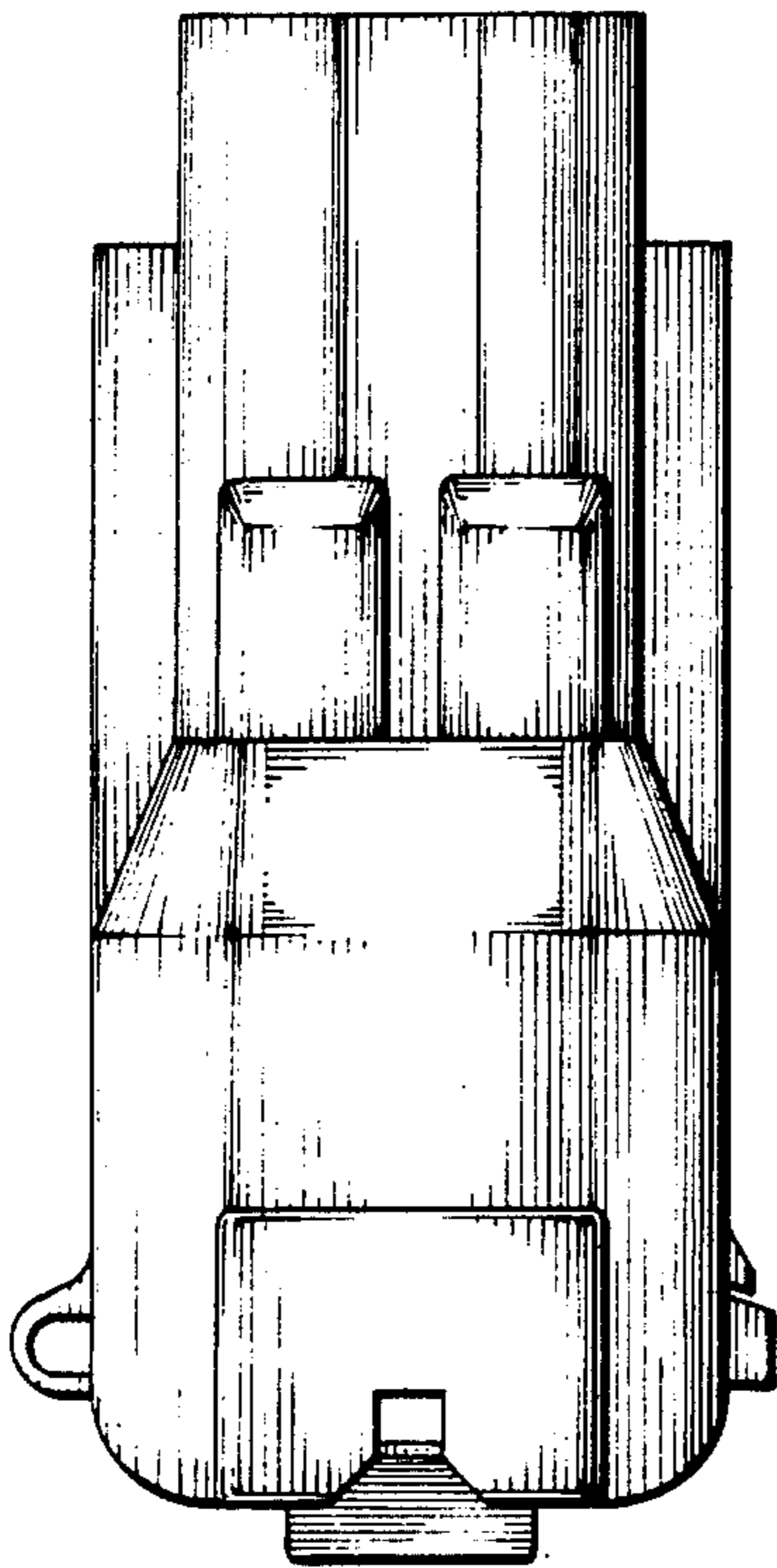


FIG 6

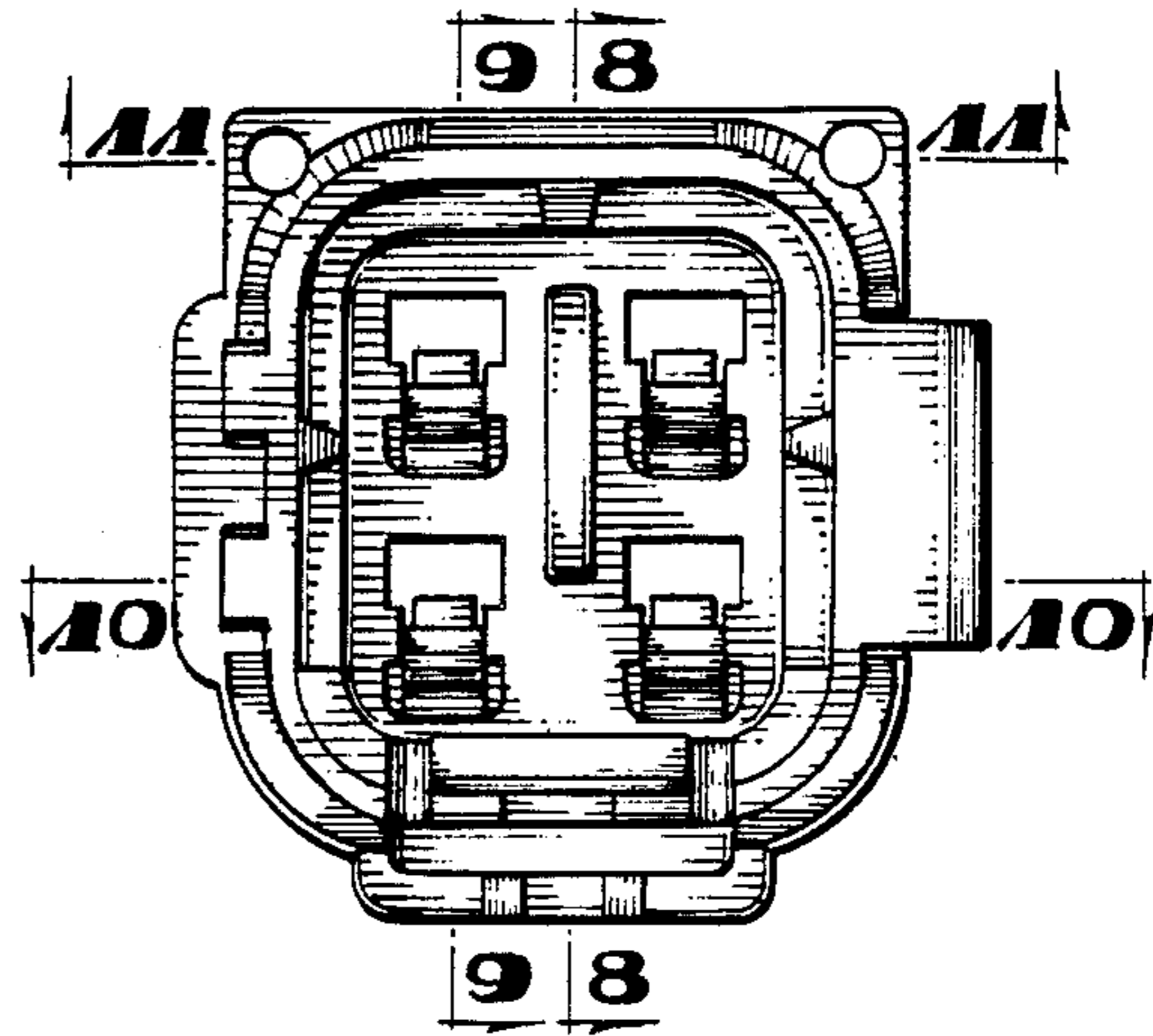


FIG 7

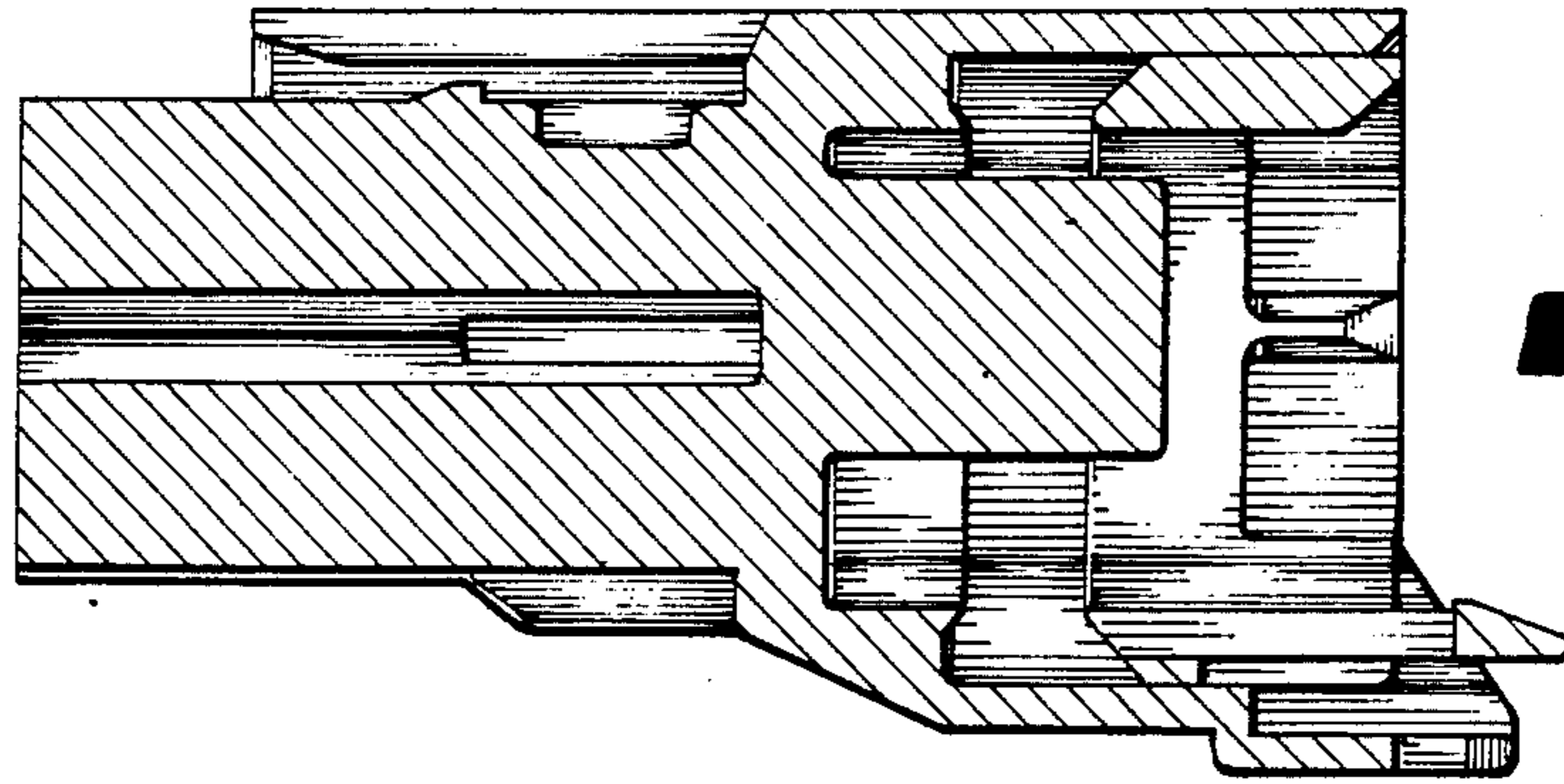


FIG 8

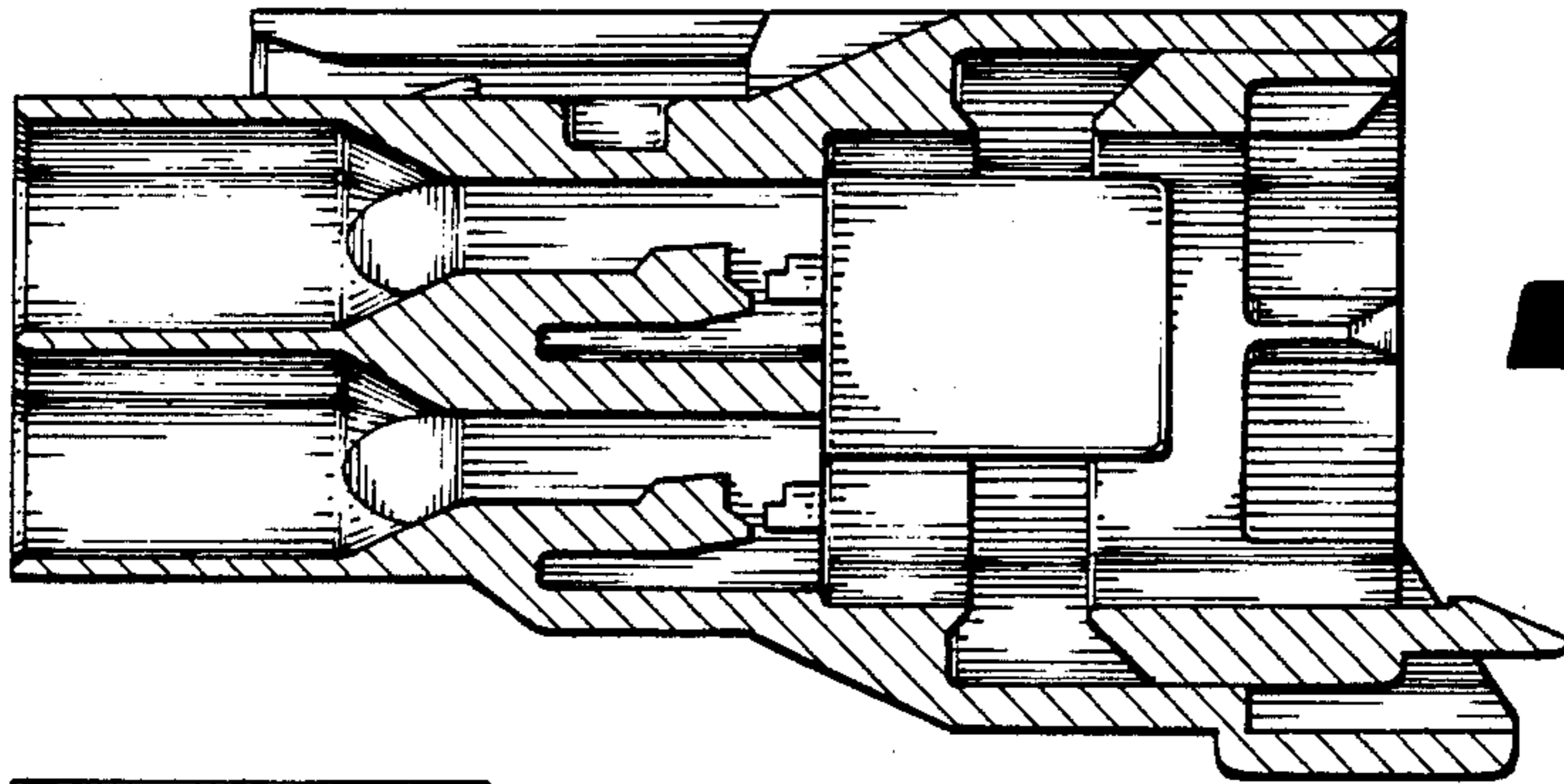


FIG 9

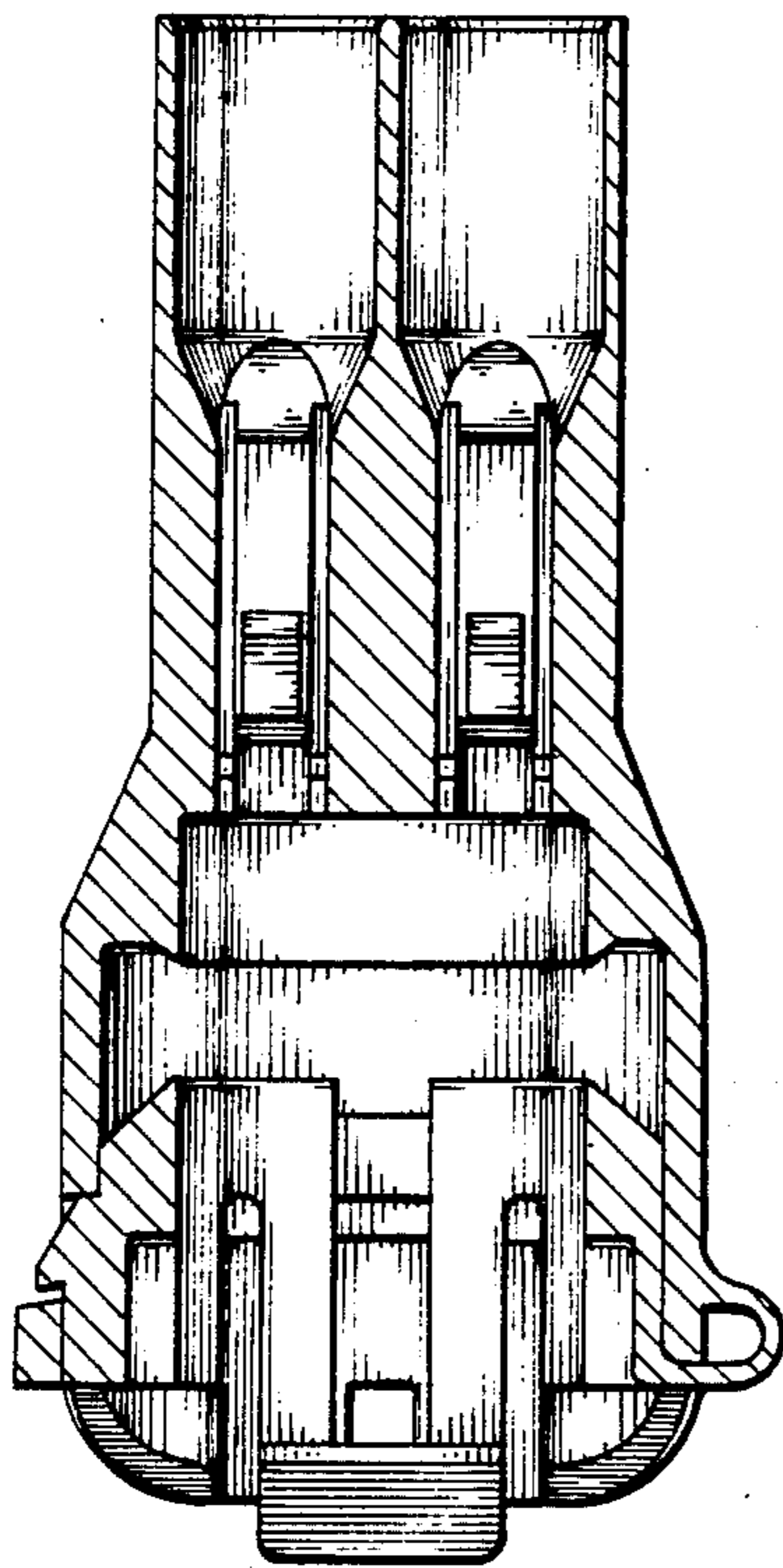


FIG 10

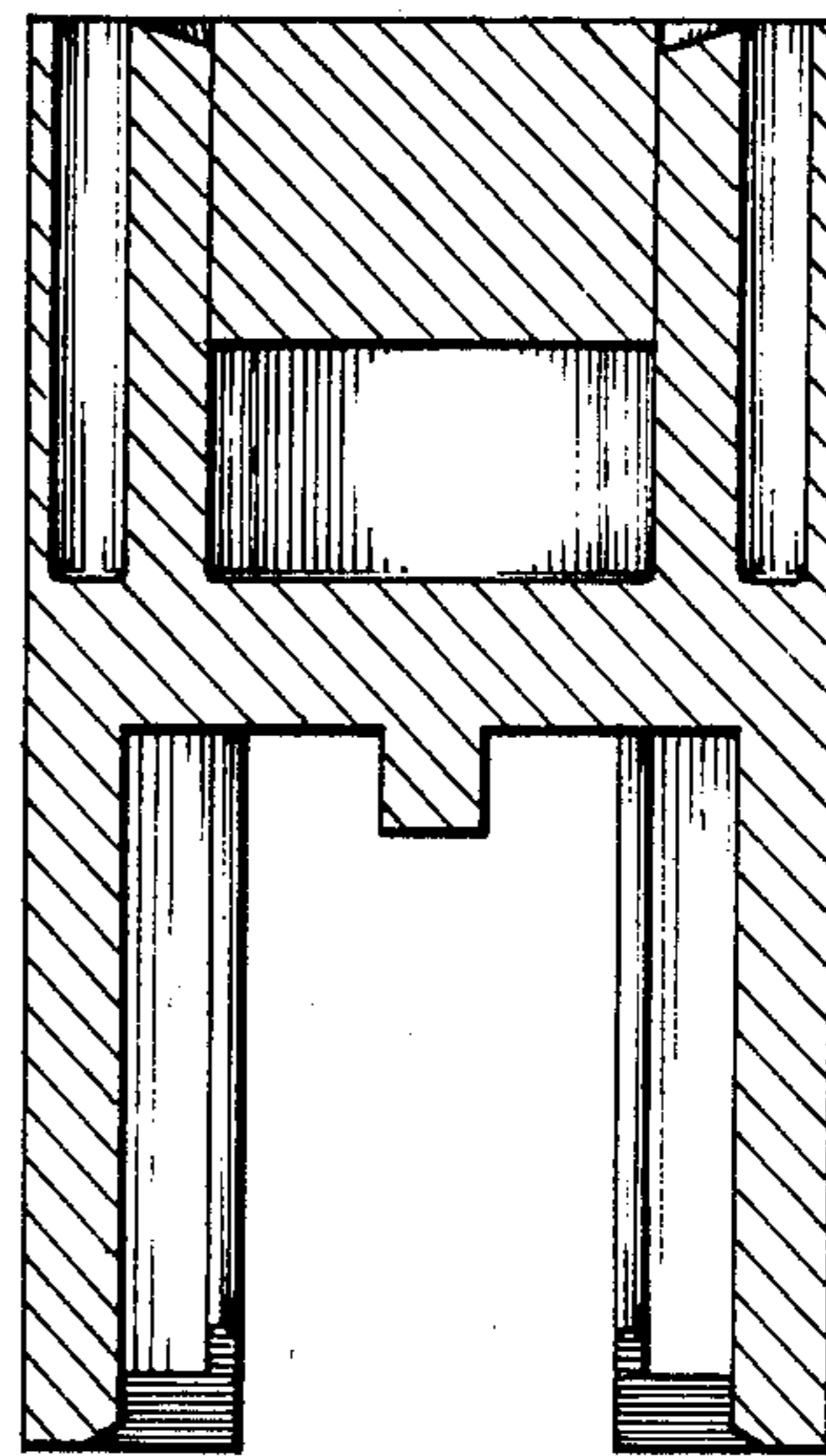


FIG 11