

[54] HOUSE BOAT

[75] Inventor: Lars Hammerö, Viken, Sweden

[73] Assignee: Turinova Aktiebolag, Uppsala, Sweden

[**] Term: 14 Years

[21] Appl. No.: 277,214

[22] Filed: Nov. 29, 1988

[30] Foreign Application Priority Data

May 30, 1988 [SE] Sweden 88-1323

[52] U.S. Cl. D12/315; D12/318; D25/18; D25/11

[58] Field of Search D12/315, 318; 114/71, 114/60, 344; D25/18, 11

[56] References Cited

U.S. PATENT DOCUMENTS

- D. 130,582 12/1941 Kaufmann D25/18
- D. 192,197 2/1962 Luger D12/315

- D. 217,512 5/1970 Schwartz D12/315
- D. 220,945 6/1971 Hughes D25/18
- D. 256,113 7/1980 Fortier D12/318
- D. 265,646 8/1982 Fortier D12/315
- 4,064,584 12/1977 Funkhauser D12/318

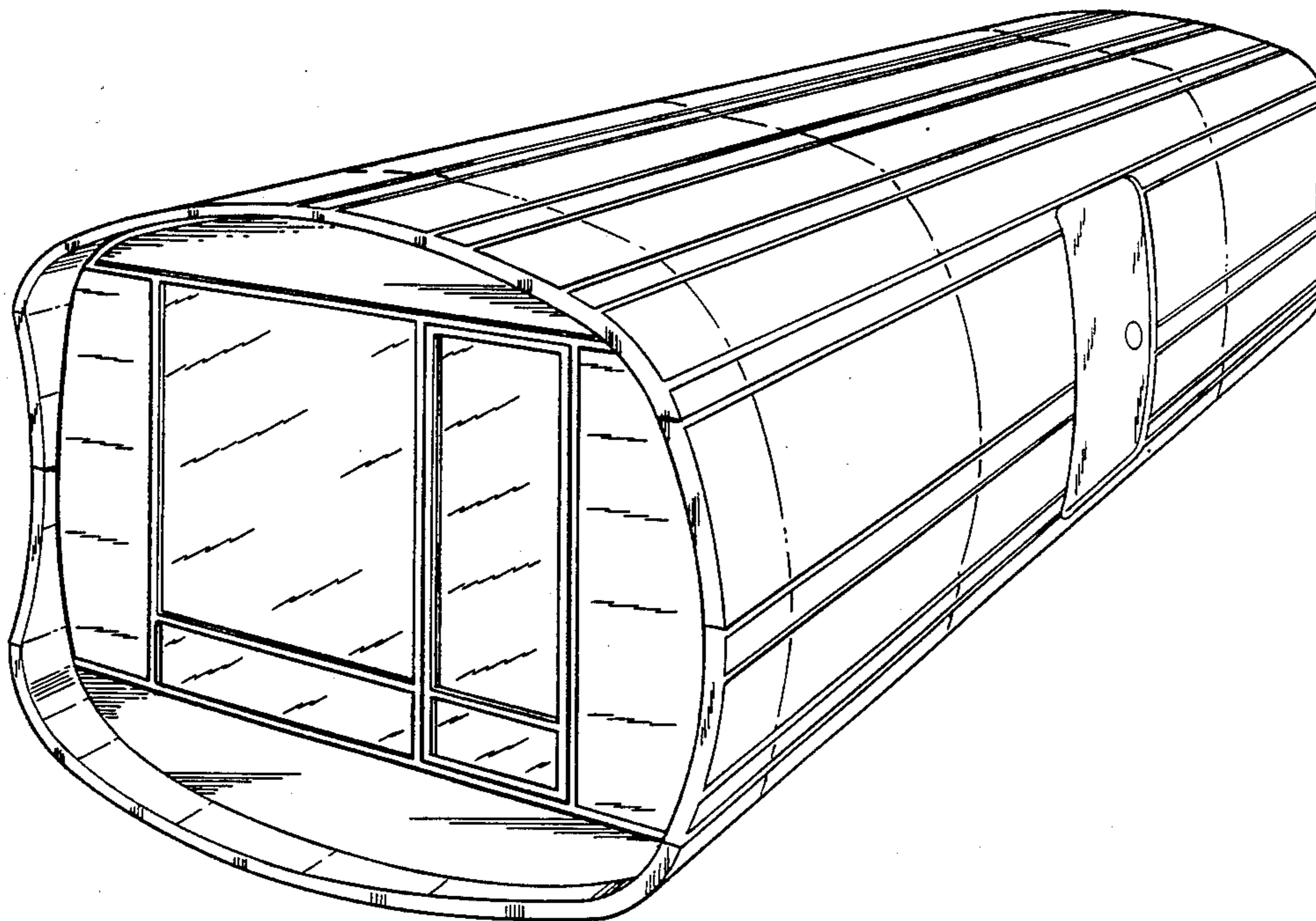
Primary Examiner—Wallace R. Burke
 Assistant Examiner—Kay H. Chin
 Attorney, Agent, or Firm—Brooks & Kushman

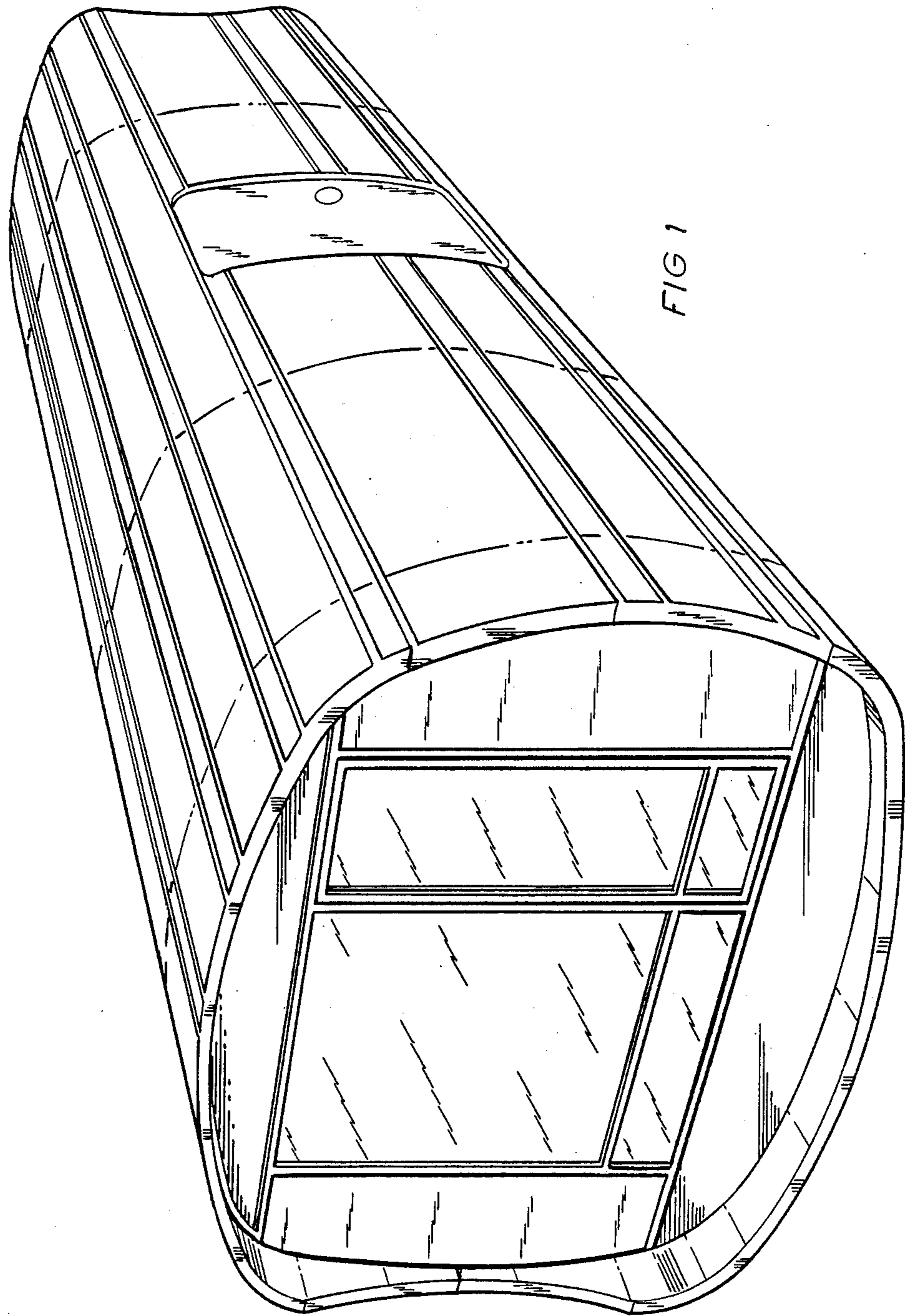
[57] CLAIM

The ornamental design for a house boat, as shown and described.

DESCRIPTION

FIG. 1 is a front perspective view of a house boat showing my new design;
 FIG. 2 is a rear perspective view thereof;
 FIG. 3 is an enlarged front elevational view thereof;
 FIG. 4 is a side elevational view thereof, the opposite side view being a mirror image of that shown;
 FIG. 5 is a top plan view thereof;
 FIG. 6 is a bottom plan view thereof.





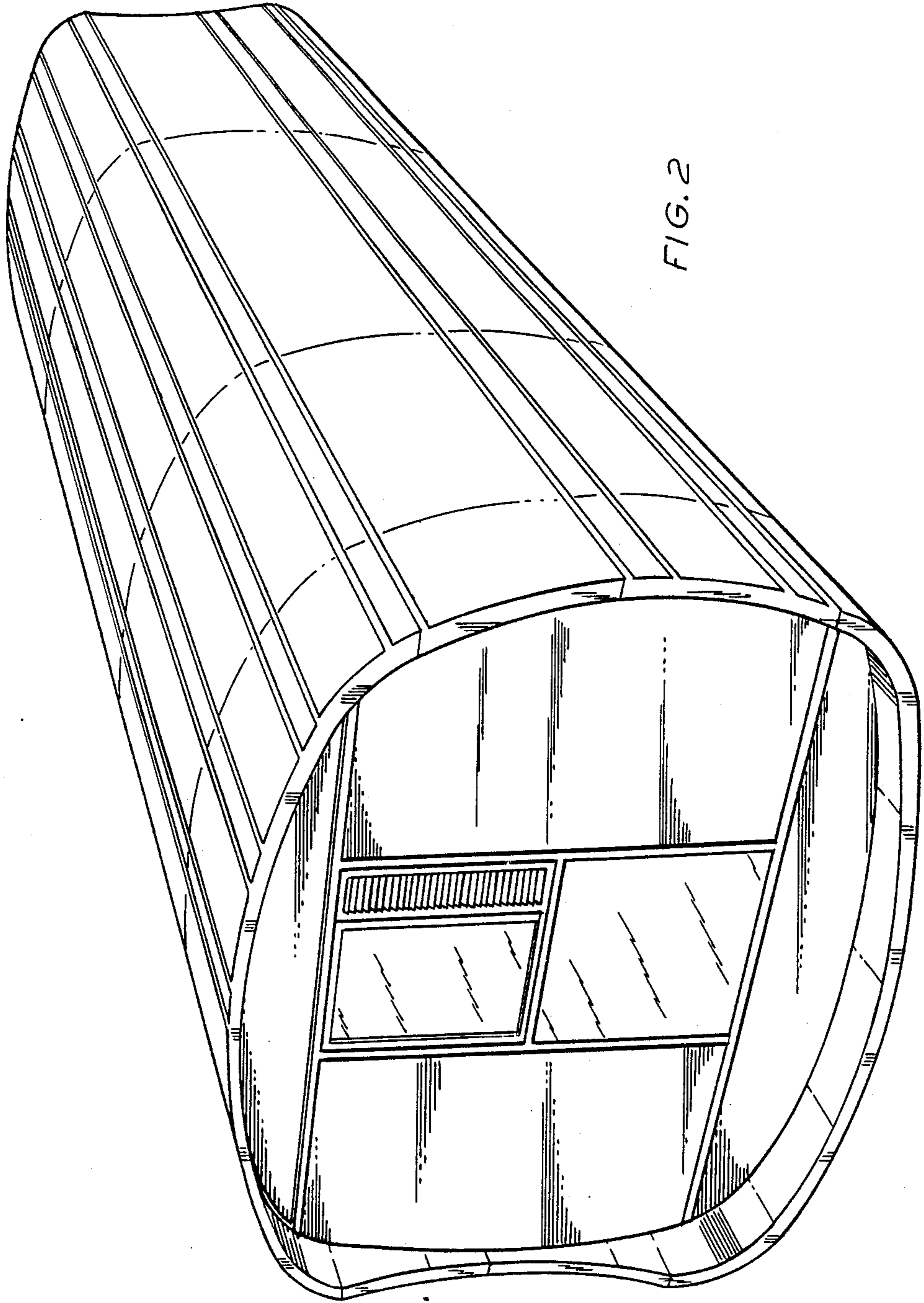


FIG. 2

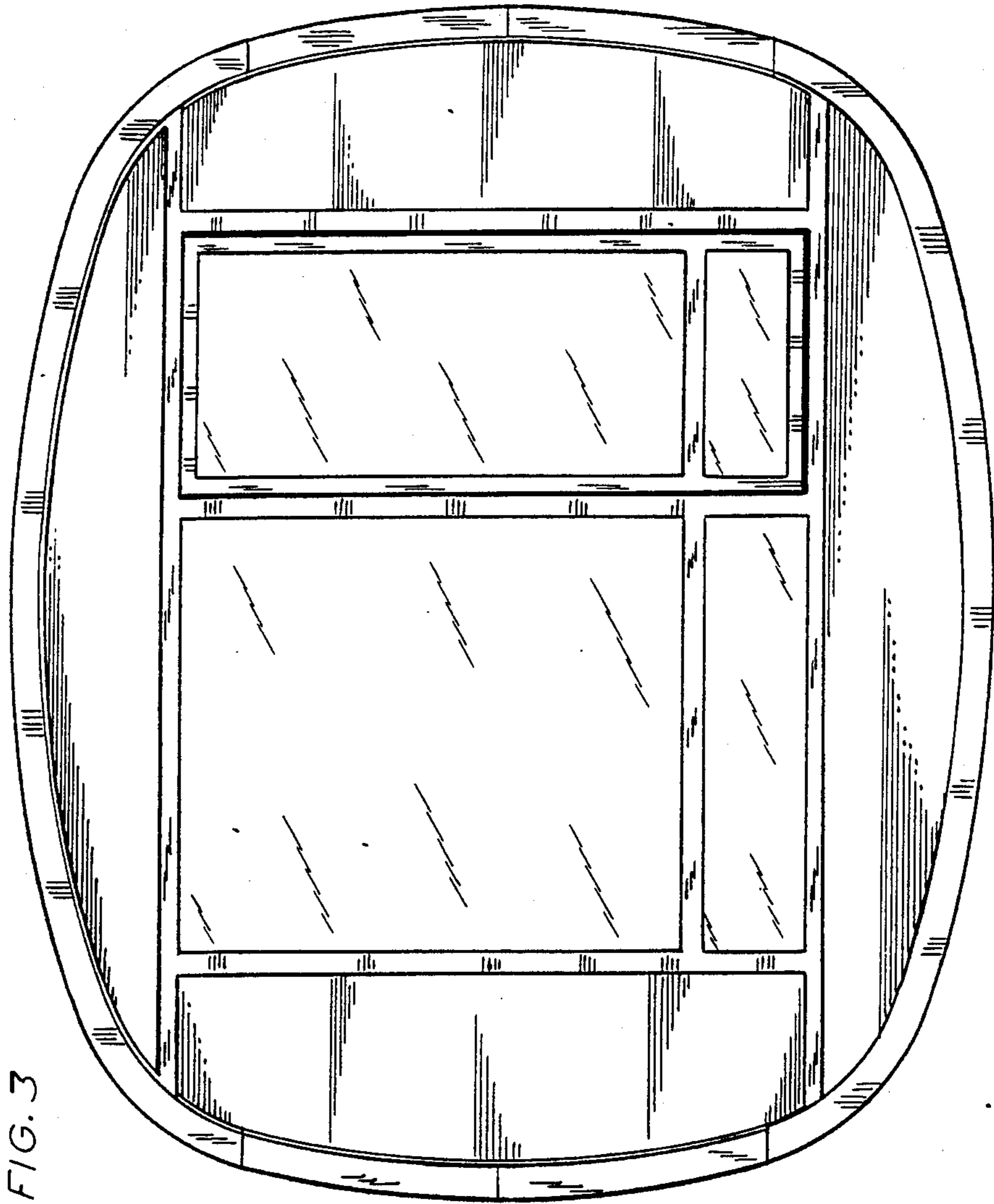


FIG. 3

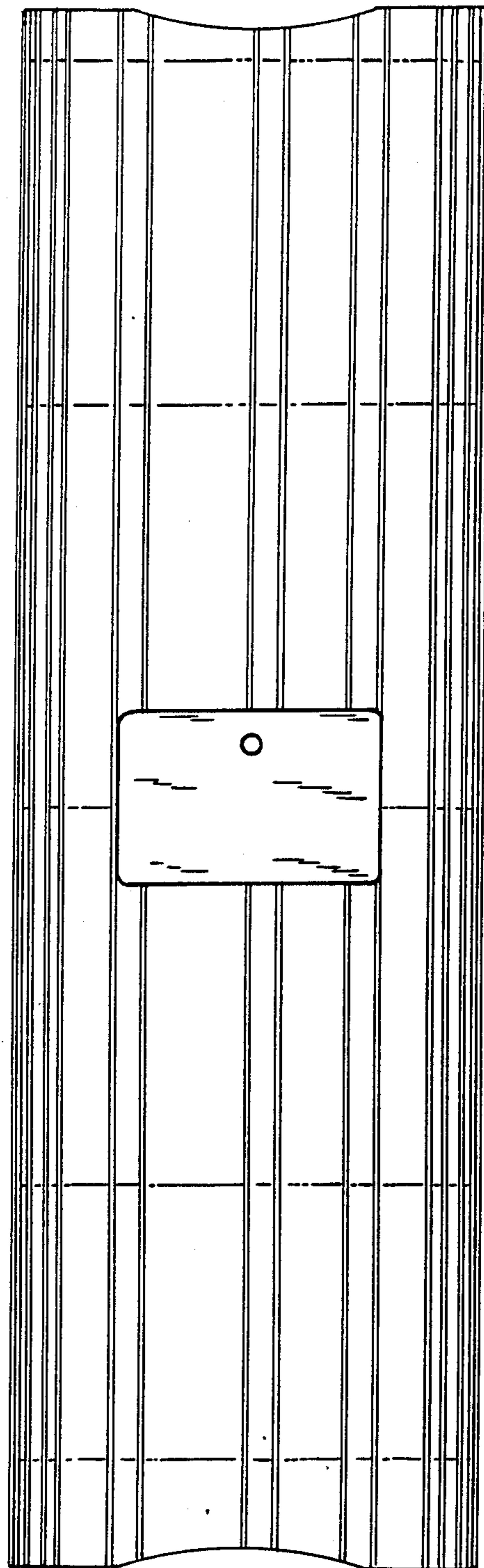


FIG. 4

FIG. 5

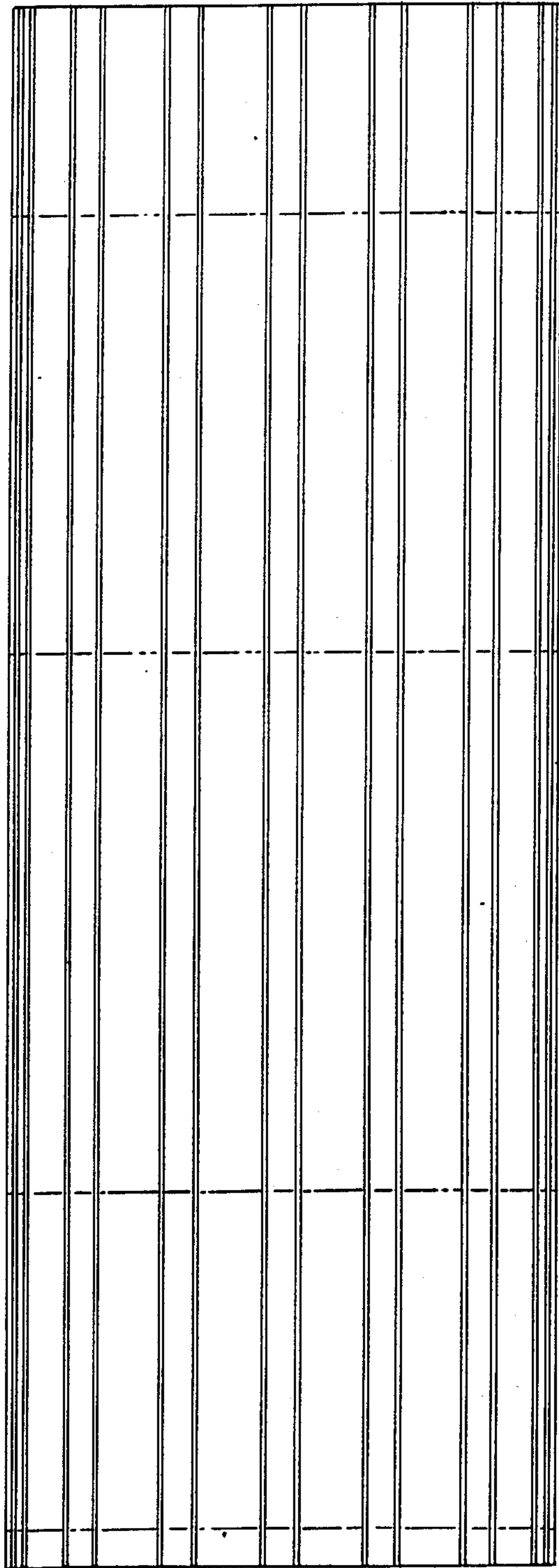


FIG. 6

