

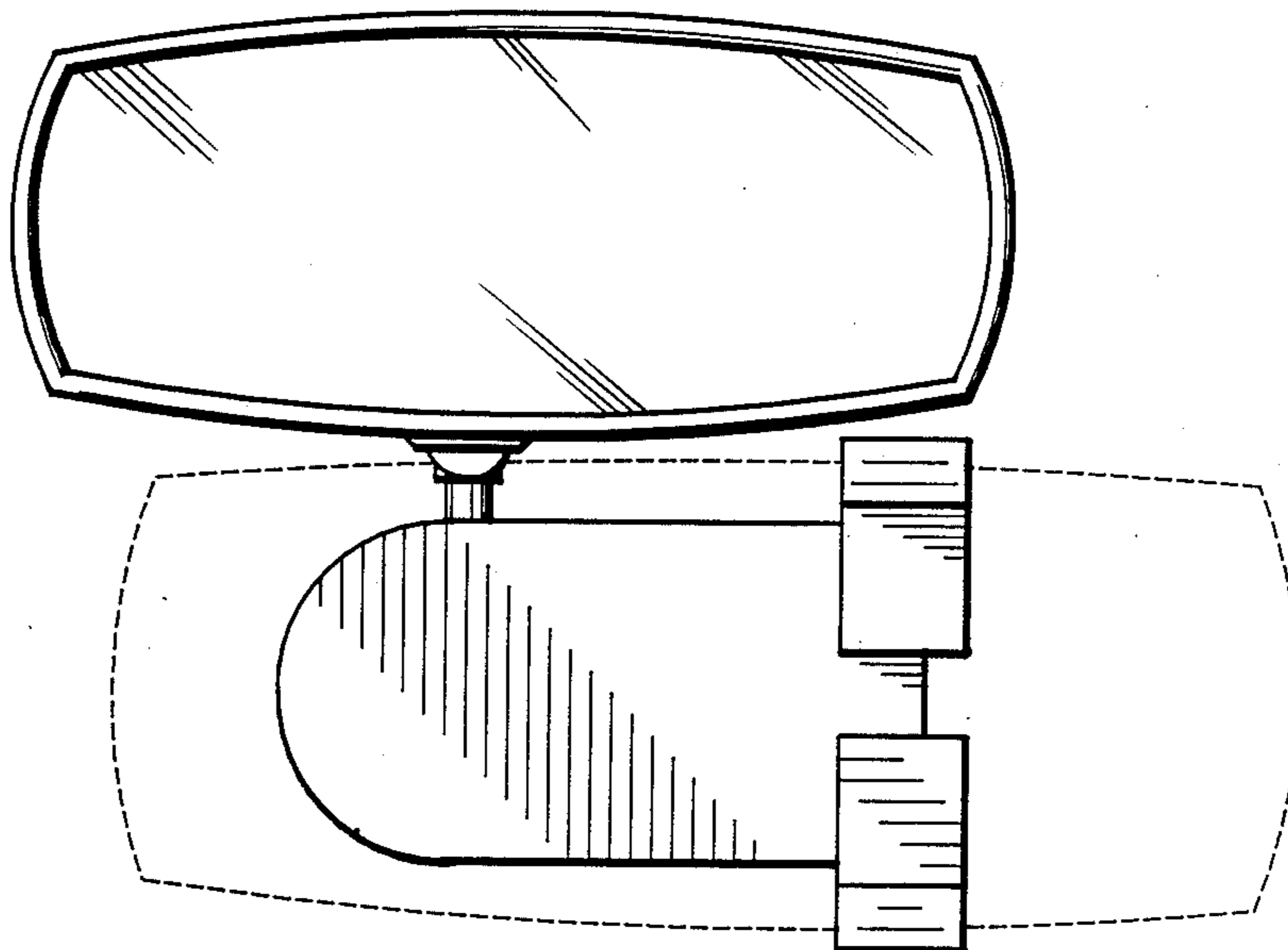
[54] **WIDE ANGLE REARVIEW MIRROR**  
[76] **Inventor: Chang H. Lin, 3301 Henderson Mill Rd. D-8, Chamblee, Ga. 30341**  
[\*\*] **Term: 14 Years**  
[21] **Appl. No.: 160,106**  
[22] **Filed: Feb. 25, 1988**  
[52] **U.S. Cl. .... D12/187**  
[58] **Field of Search ..... D12/187; 350/600, 604, 350/605, 606, 626, 631, 632, 634, 636, 639**

[56] **References Cited**  
**U.S. PATENT DOCUMENTS**  
D. 302,966 8/1989 Sentmore et al. .... D12/187  
4,598,982 7/1986 Levine ..... 350/626  
4,832,476 5/1989 Gabrielyan ..... 350/626

*Primary Examiner*—James M. Gandy  
*Attorney, Agent, or Firm*—Jerry T. Kearns

[57] **CLAIM**  
The ornamental design for a wide angle rearview mirror, as shown and described.

**DESCRIPTION**  
FIG. 1 is a front elevational view of a wide angle rearview mirror showing my new design;  
FIG. 2 is a rear elevational view thereof;  
FIG. 3 is a left side elevational view thereof;  
FIG. 4 is a right side elevational view thereof;  
FIG. 5 is a top plan view thereof; and,  
FIG. 6 is a bottom plan view thereof.  
The broken lines in the drawing are for illustrative purposes only and form no part of the claimed design.



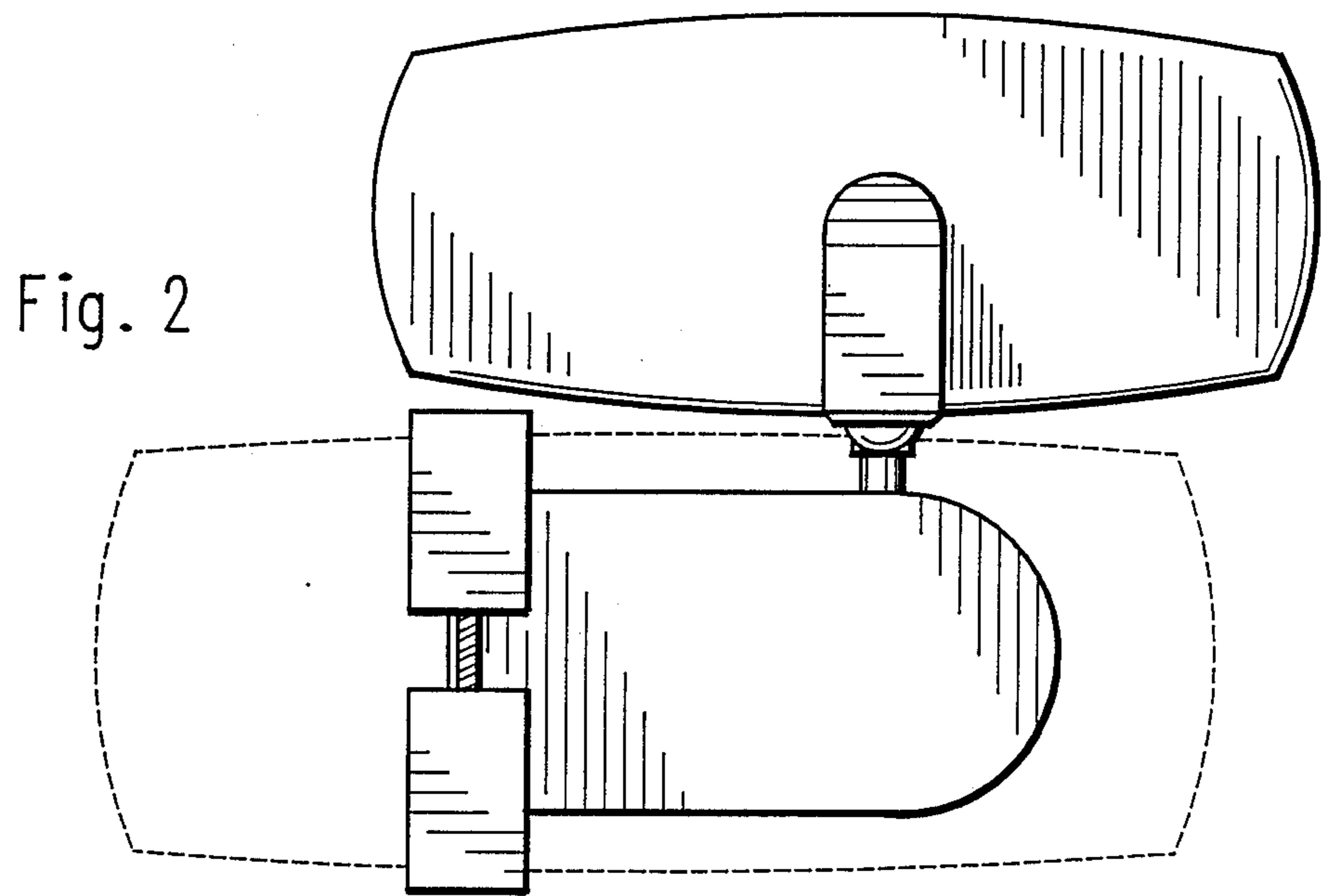
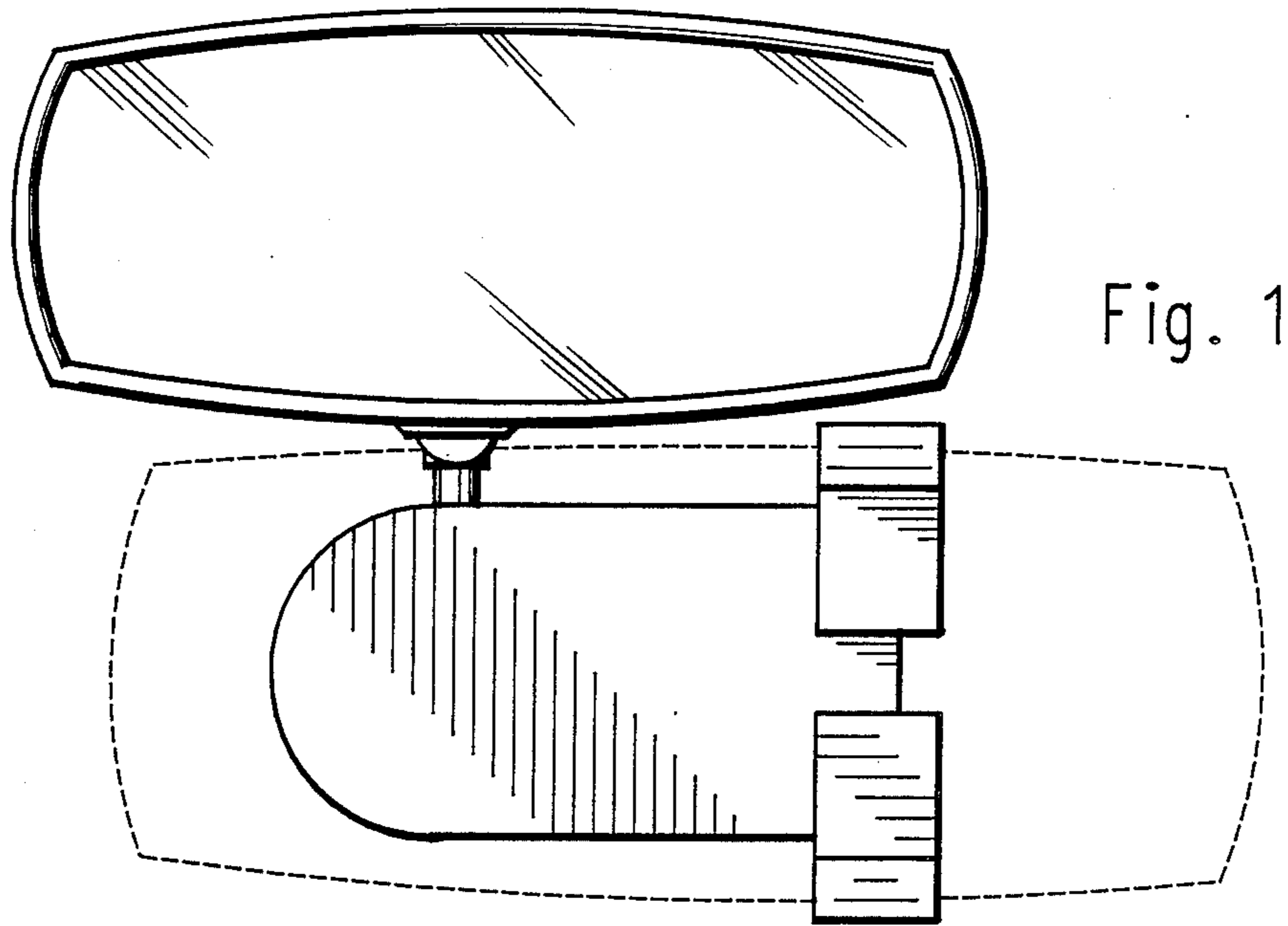


Fig. 3

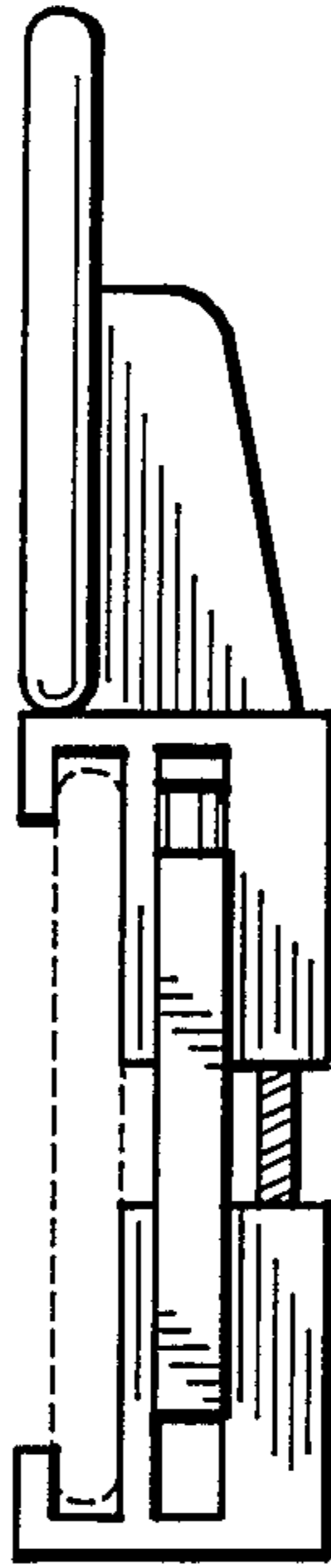


Fig. 4

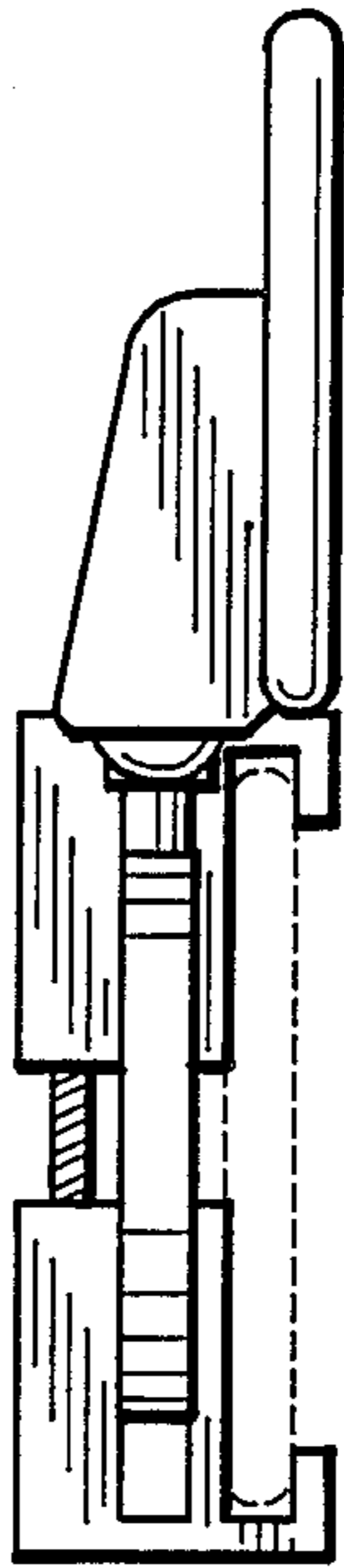




Fig. 5

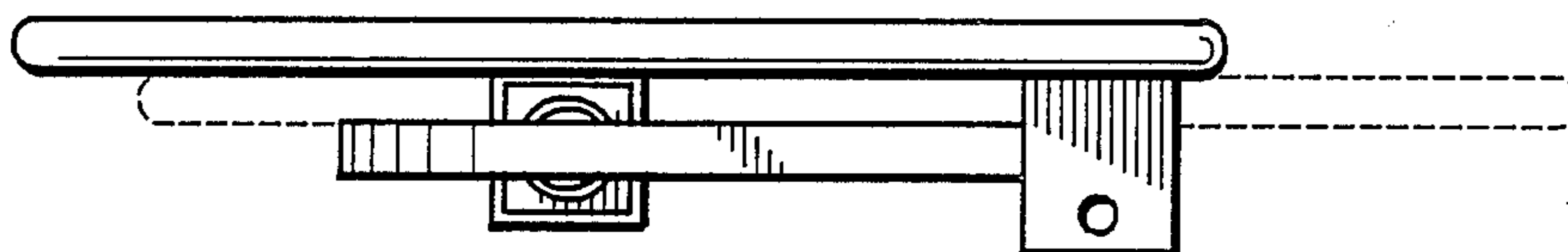


Fig. 6