

[54] BICYCLE FRAME

[75] Inventors: Roger M. Berg; Francis H. Scott, both of Beaverton, Oreg.

[73] Assignee: Uni-Bmx, Inc., Beaverton, Oreg.

[**] Term: 14 Years

[21] Appl. No.: 185,933

[22] Filed: Apr. 25, 1988

[52] U.S. Cl. D12/111

[58] Field of Search D12/111; 280/281.1, 280/288.1

[56] References Cited
PUBLICATIONS

American Bicyclist & Motorcyclist, Jul. 1986, p. 15, Panasonic PF-4000 Bicycle Frame.
American Bicyclist & Motorcyclist, Dec. 1986, p. 69, Yeong Fuh, Bicycle Frame.

American Bicyclist & Motorcyclist, Aug. 1987, p. 26, Asahi's Animal Bicycle Frame.

American Bicyclist & Motorcyclist, Aug. 1987, p. 27, Marvel Bicycle Frame.

Primary Examiner—James M. Gandy

Assistant Examiner—Melody Brown

Attorney, Agent, or Firm—Jack E. Day

[57] CLAIM

The ornamental design for a bicycle frame, as shown and described.

DESCRIPTION

FIG. 1 is a perspective view of a bicycle frame showing our new design, it being understood that the broken lines are for illustrative purposes only and form no part of the claimed design;

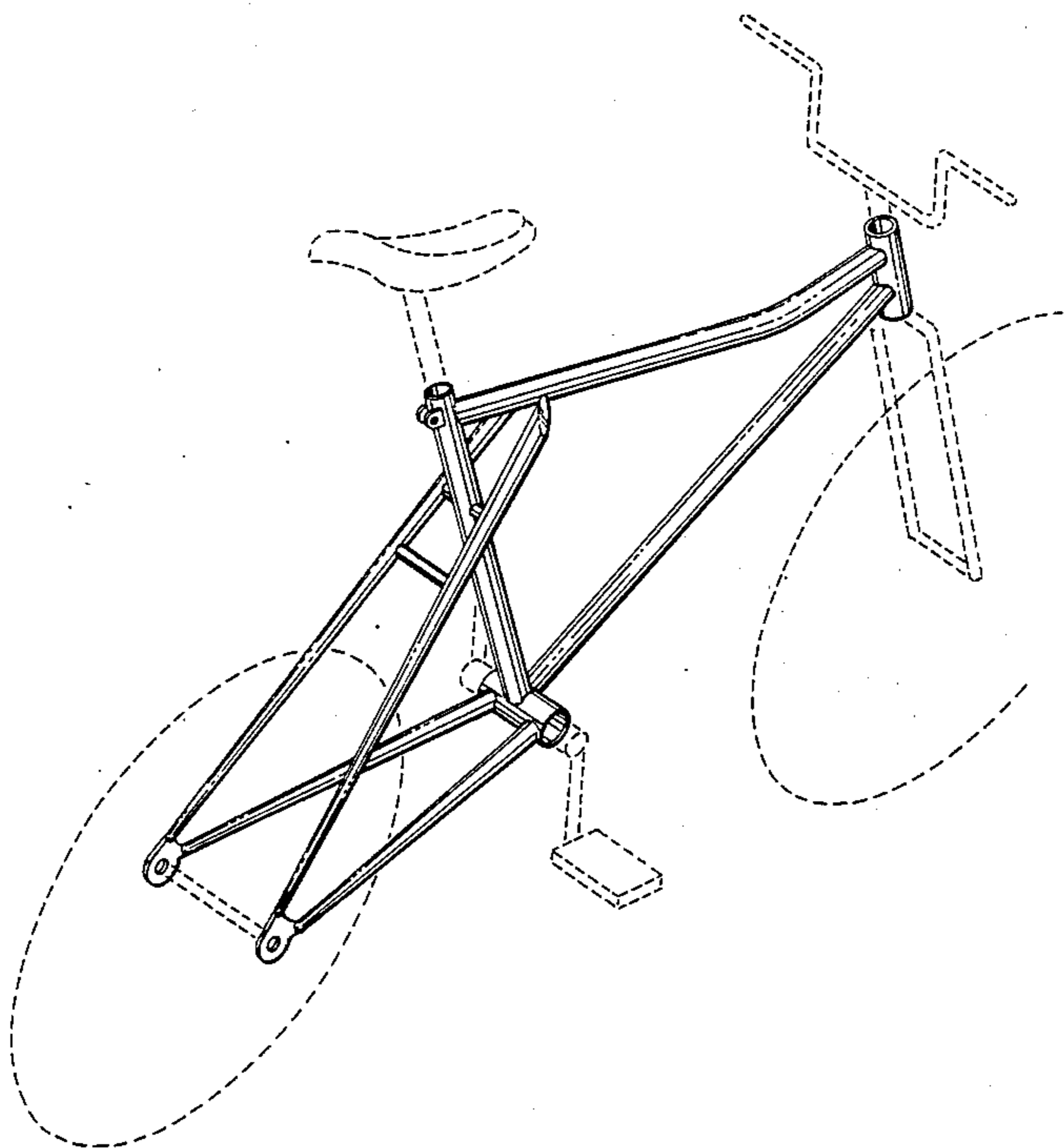
FIG. 2 is a side elevational view thereof, the opposite side being identical thereto;

FIG. 3 is a top plan view thereof;

FIG. 4 is a bottom plan view thereof;

FIG. 5 is a front elevational view thereof;

FIG. 6 is a rear elevational view thereof.



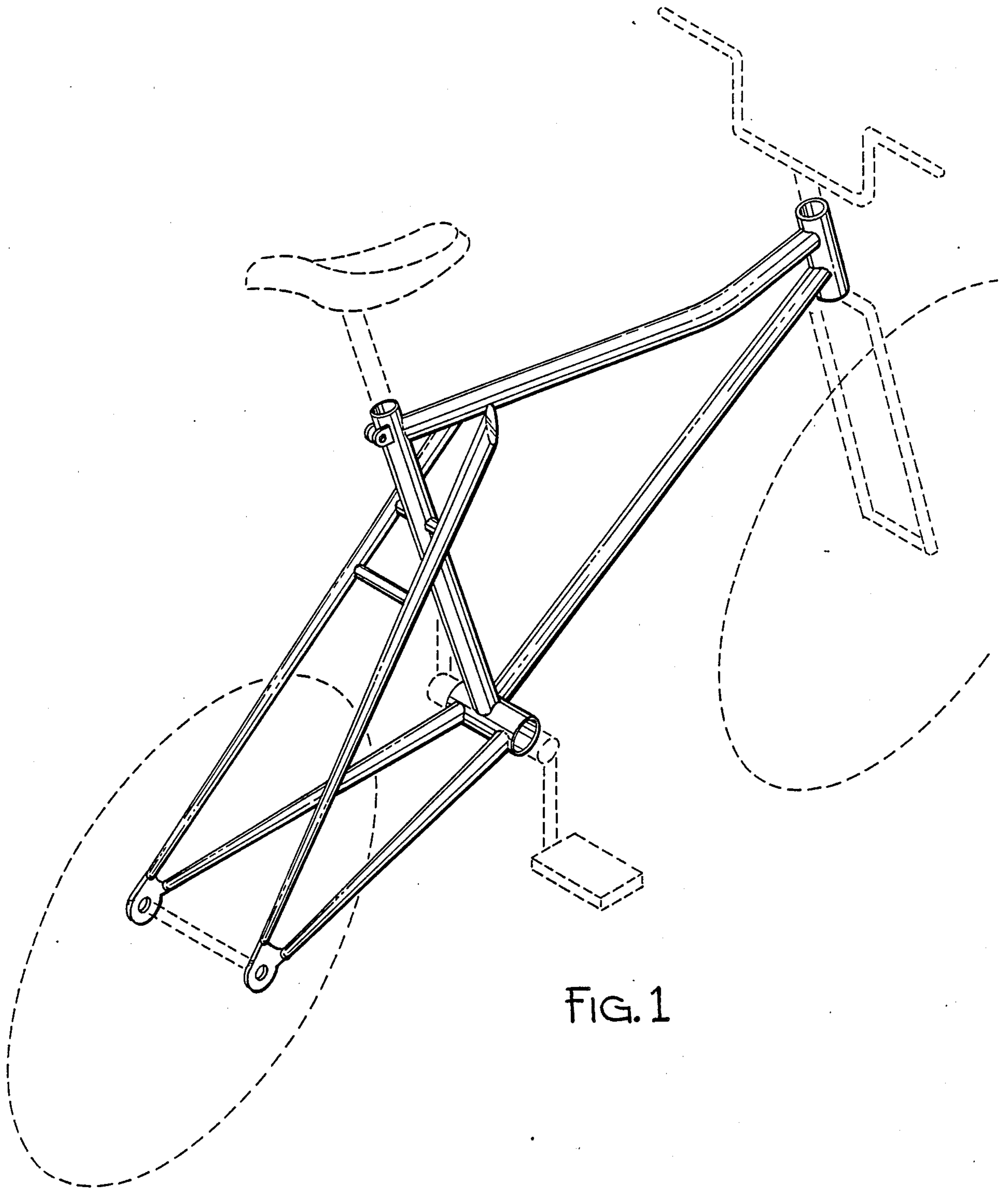


FIG. 1

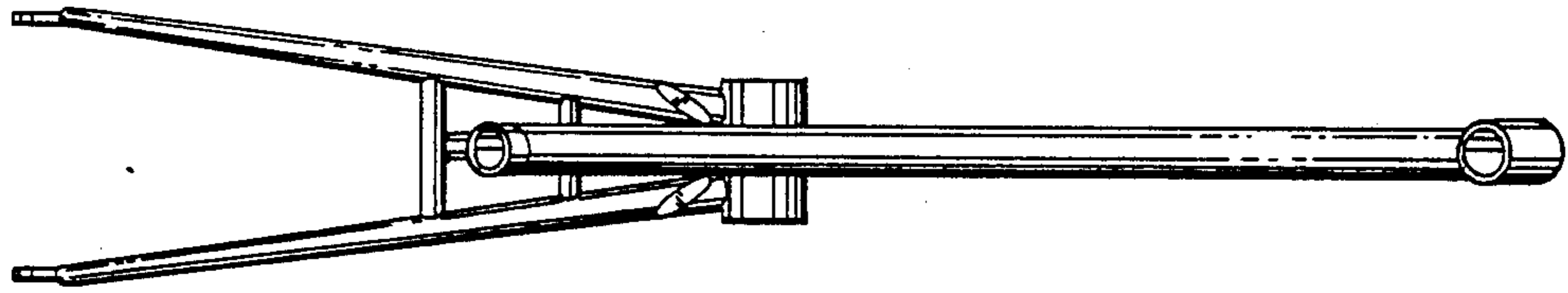


FIG. 3

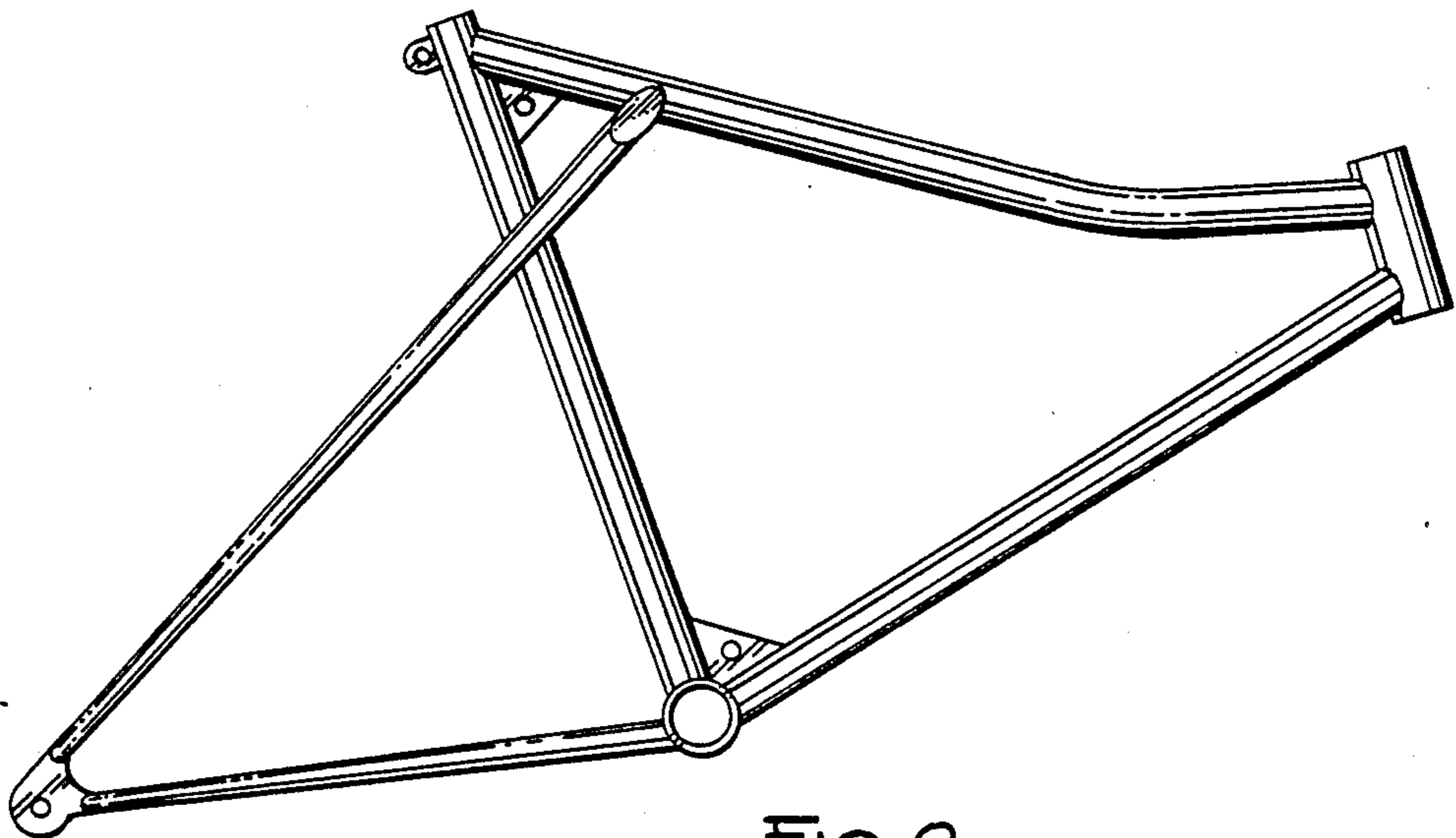


FIG. 2

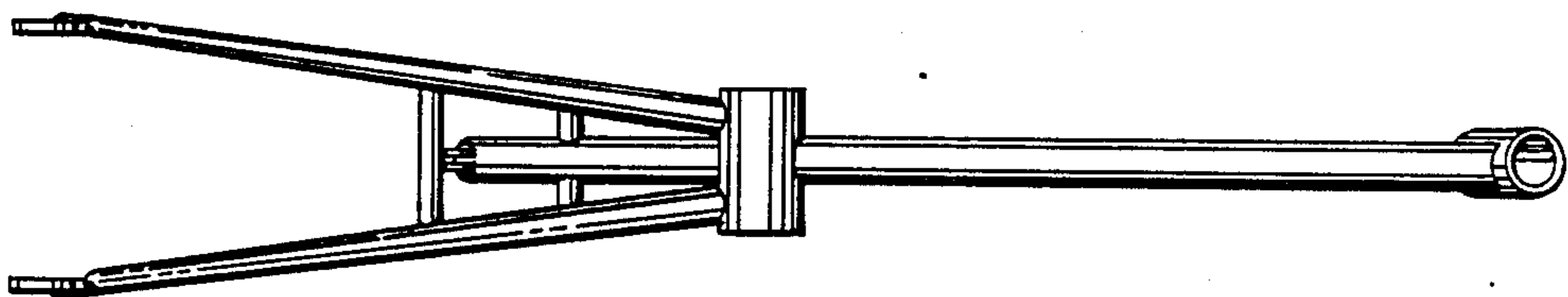


FIG. 4

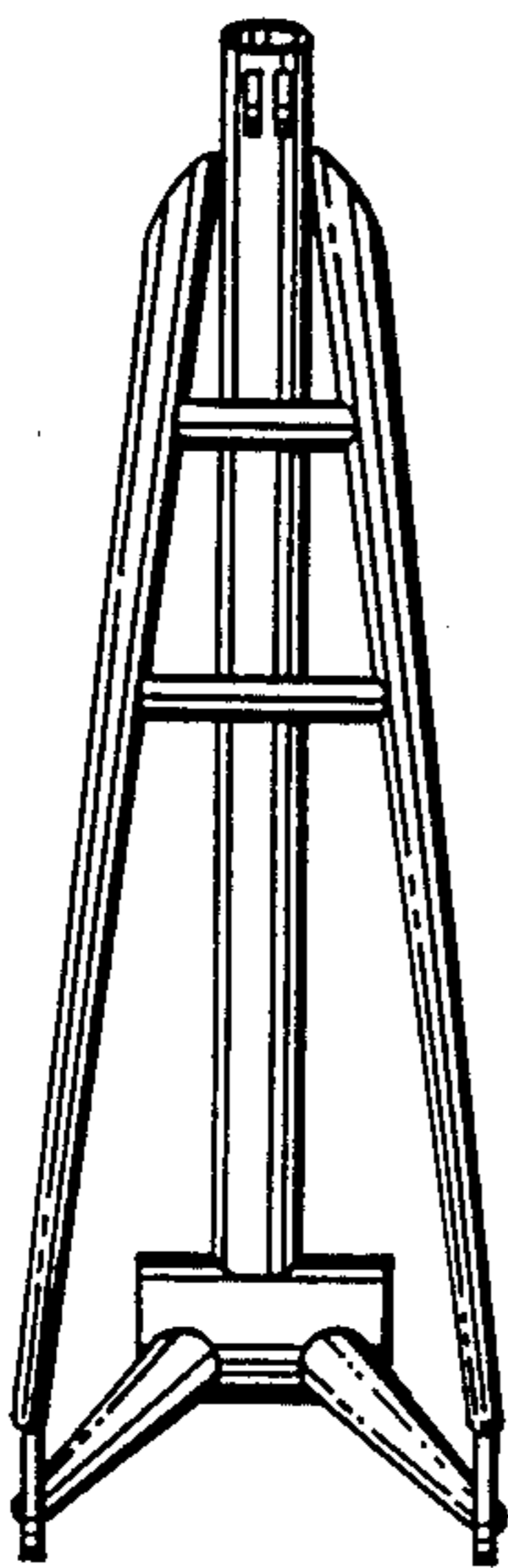


FIG. 6

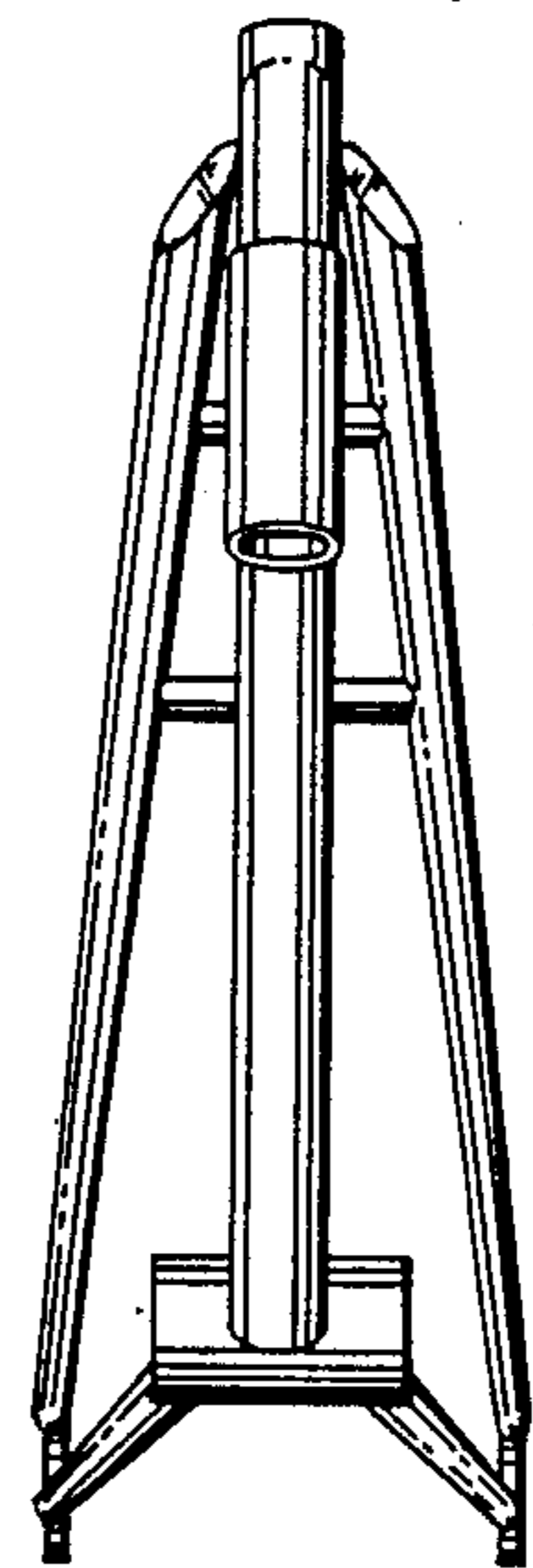


FIG. 5