

[54] TRICYCLE HAVING A PASSENGER CARRIER

[76] Inventor: Louellen A. Berger, 6000 St. Charles Ave., New Orleans, La. 70118

[*] Notice: The portion of the term of this patent subsequent to Apr. 14, 2001 has been disclaimed.

[**] Term: 14 Years

[21] Appl. No.: 897,854

[22] Filed: Aug. 19, 1986

Related U.S. Application Data

[63] Continuation-in-part of Ser. No. 675,708, Nov. 28, 1984, Pat. No. Des. 289,273.

[52] U.S. Cl. D12/112

[58] Field of Search D12/112, 85; 280/282, 280/202

[56] References Cited

U.S. PATENT DOCUMENTS

- D. 268,923 5/1983 Mann D12/112
- D. 280,890 10/1985 Trudo et al. D12/112
- D. 289,273 4/1987 Berger D12/112

Primary Examiner—James M. Gandy
Attorney, Agent, or Firm—Thomas S. Keaty

[57] CLAIM

The ornamental design for a tricycle having a passenger carrier, as shown and described.

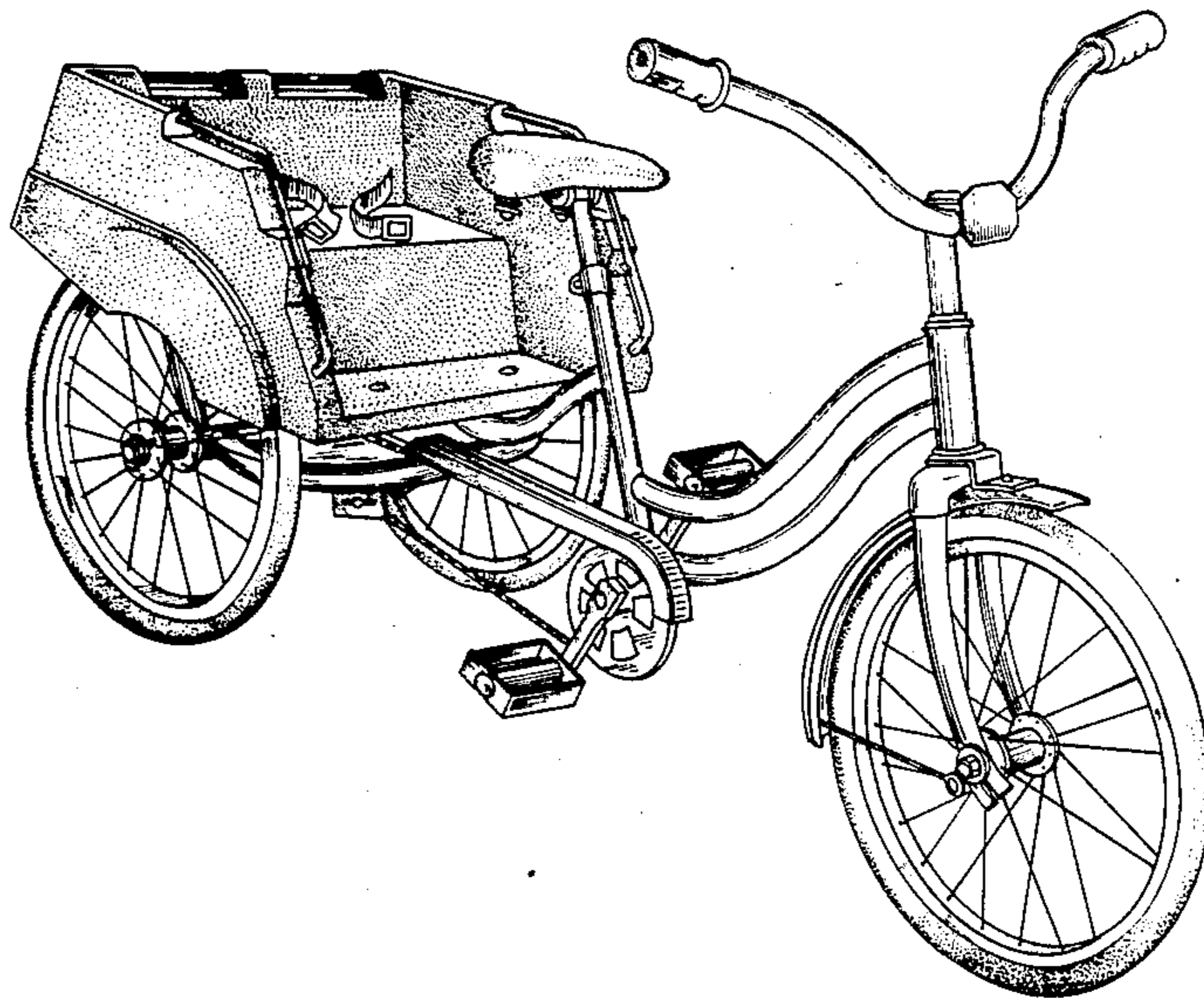
DESCRIPTION

FIG. 1 is a perspective view of the front and one side of a tricycle having a passenger carrier showing my new design;

FIG. 2 is a side elevation view thereof, it being understood that the opposite side is substantially a mirror image of that shown;

FIG. 3 is a top plan view thereof; and,

FIG. 4 is an enlarged rear perspective view thereof.



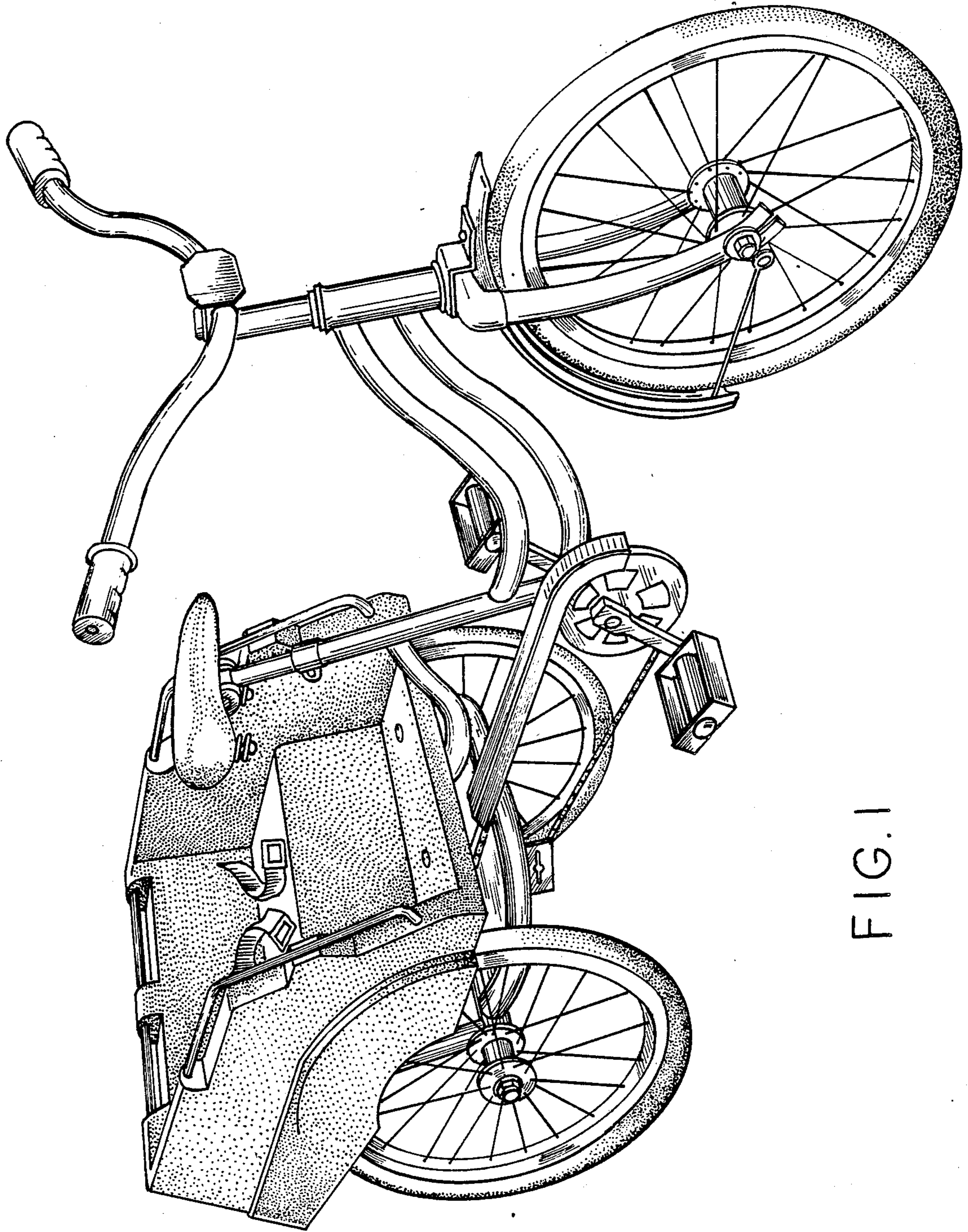


FIG. 1

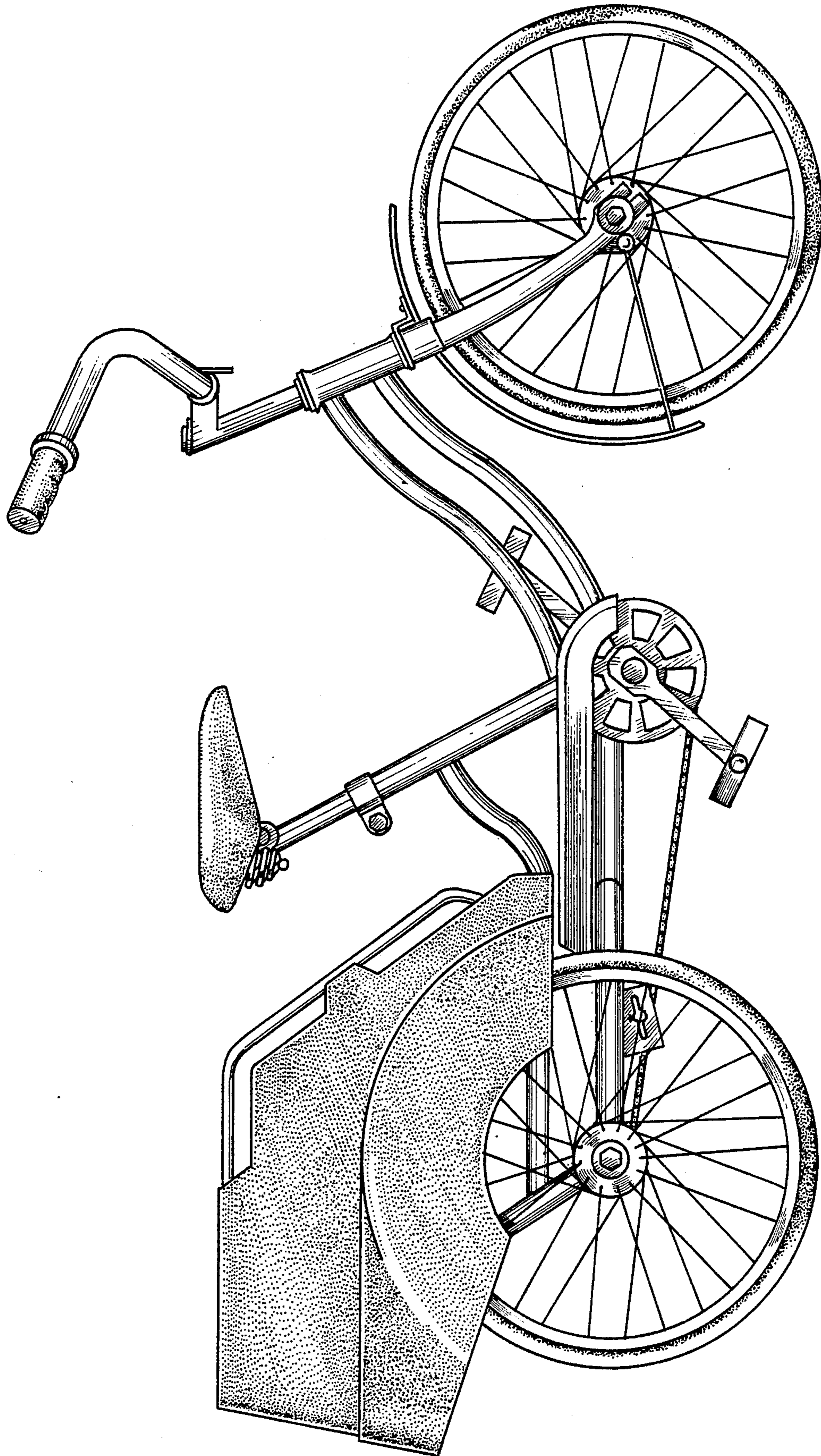


FIG. 2

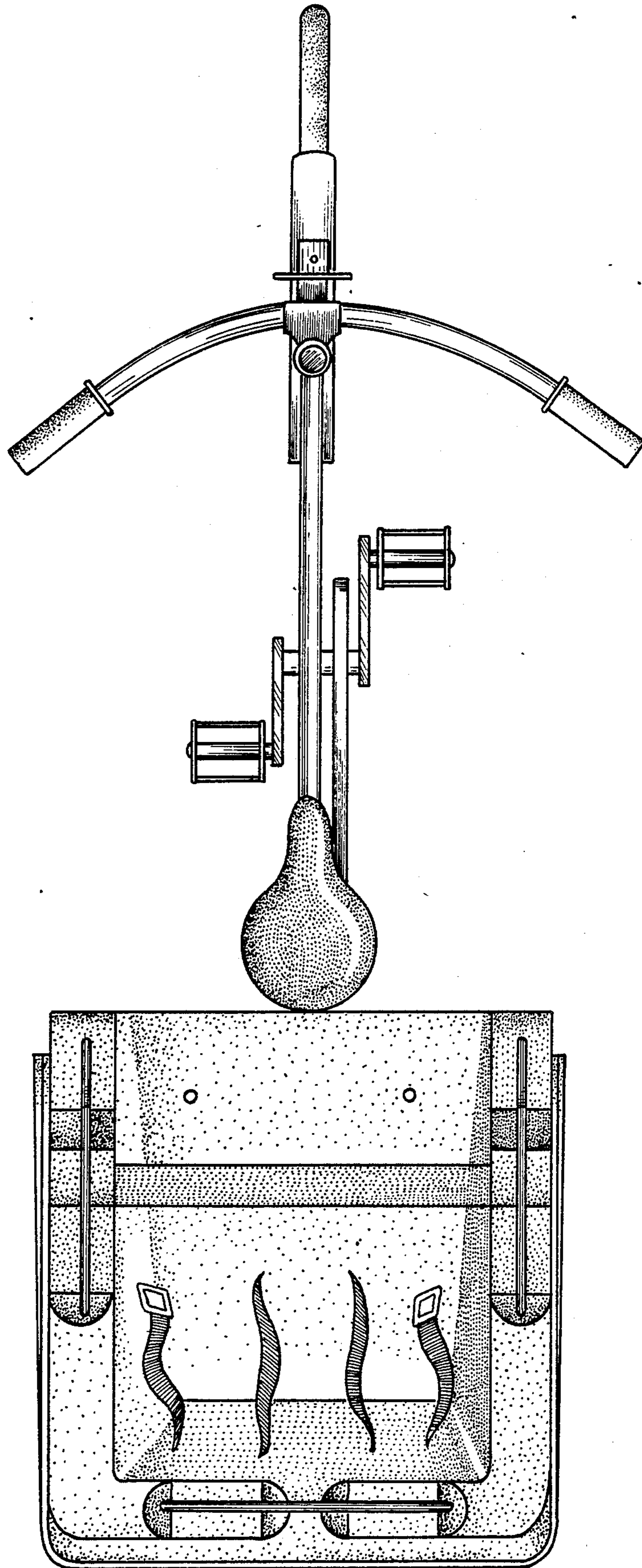


FIG. 3

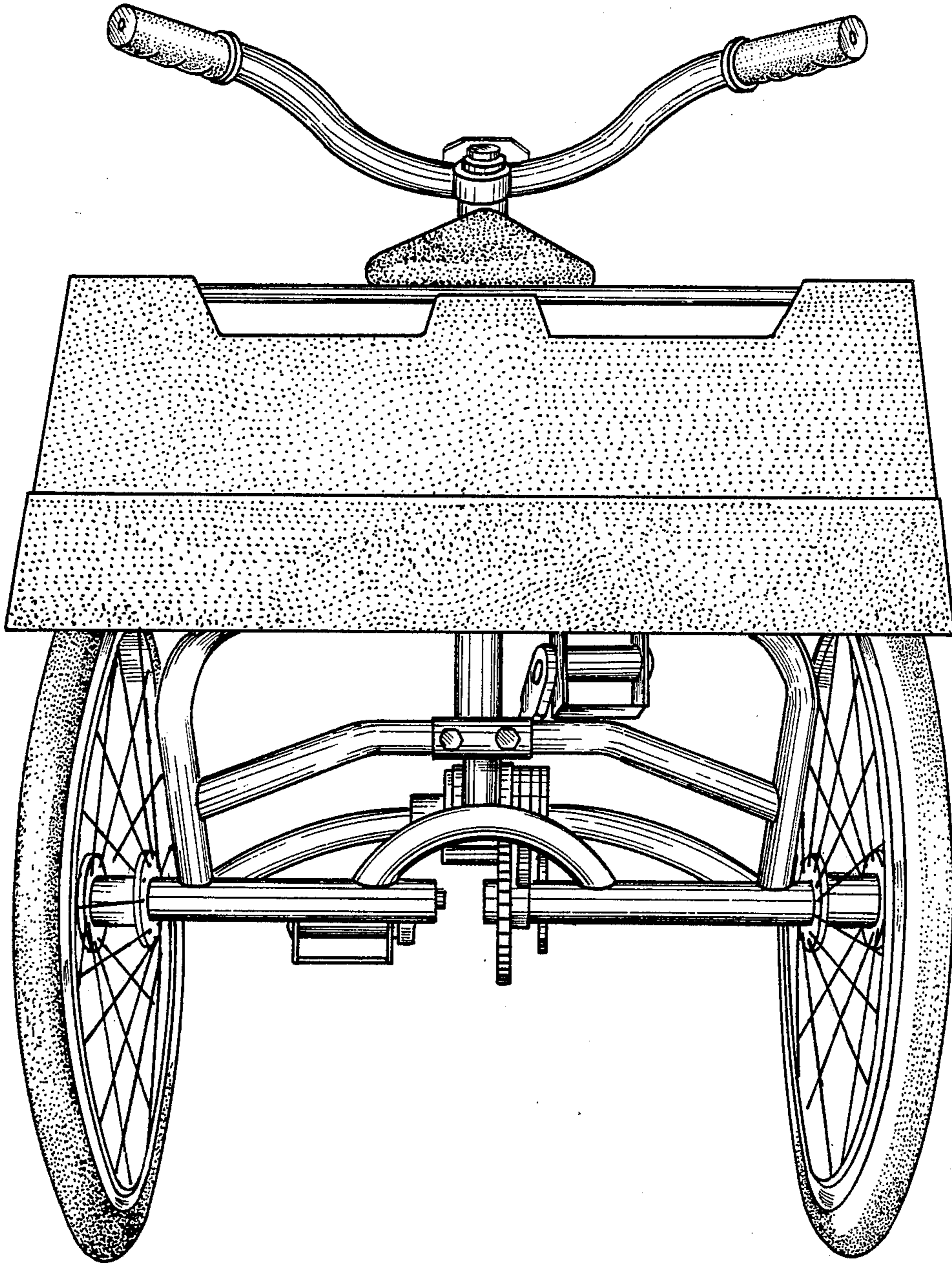


FIG. 4