

[54] **DOCK STORAGE BOX**

[75] **Inventor: Richard L. Willson, South Bend, Ind.**

[73] **Assignee: Spin-Cast Plastics, Inc., South Bend, Ind.**

[**] **Term: 14 Years**

[21] **Appl. No.: 174,540**

[22] **Filed: Mar. 28, 1988**

[52] **U.S. Cl. D9/432; D9/424**

[58] **Field of Search D9/414-433; D34/40-46; 206/546, 216, 541; 220/83, 1.5, 68, DIG. 12, DIG. 10, 903, 72**

[56] **References Cited**

U.S. PATENT DOCUMENTS

- D. 167,622 9/1952 Erickson D34/43
- D. 246,854 1/1978 Baker D9/341 X
- D. 286,937 11/1986 Schafer D34/43
- D. 293,082 12/1987 Butler D9/424
- 3,443,717 5/1969 Wettlen et al. 220/83 X
- 4,373,642 2/1983 Wolters et al. 220/72

Primary Examiner—Bernard Ansher

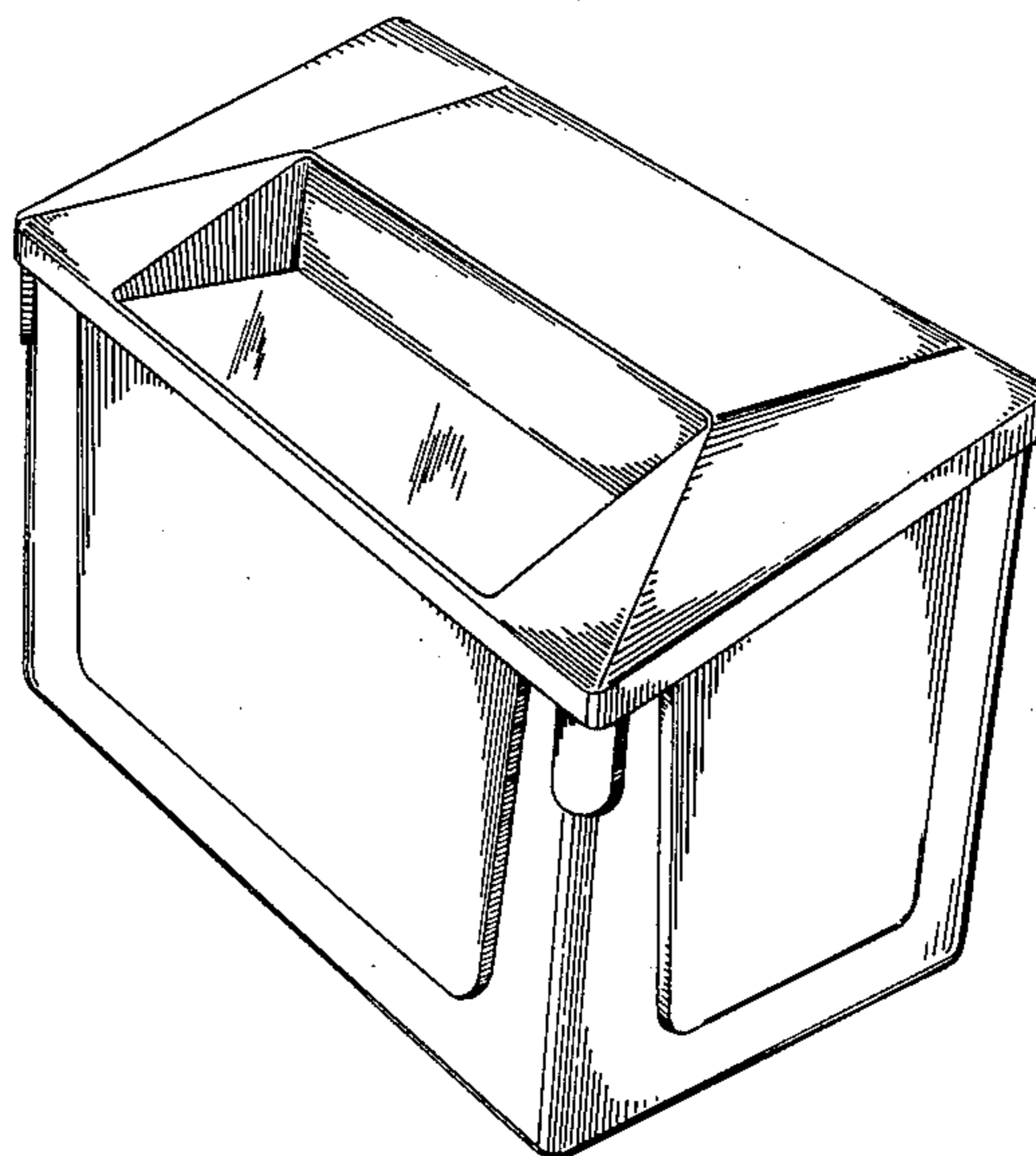
Assistant Examiner—Prabhakar Deshmukh
Attorney, Agent, or Firm—Thomas J. Dodd

[57] **CLAIM**

The ornamental design for a dock storage box, as shown and described.

DESCRIPTION

FIG. 1 is an enlarged perspective view of a dock storage box showing my new design;
 FIG. 2 is a front elevation thereof;
 FIG. 3 is a top plan view thereof;
 FIG. 4 is a rear side elevation thereof;
 FIG. 5 is a left side elevation thereof; the right side elevation being a mirror image;
 FIG. 6 is a bottom plan view thereof;
 FIG. 7 is an enlarged scale perspective view of another embodiment of FIG. 1;
 FIG. 8 is a front elevation of FIG. 7;
 FIG. 9 is a top plan view of FIG. 7;
 FIG. 10 is a rear side elevation of FIG. 7;
 FIG. 11 is a left side elevation of FIG. 7; the right side elevation being a mirror image; and,
 FIG. 12 is a bottom plan view of FIG. 7.



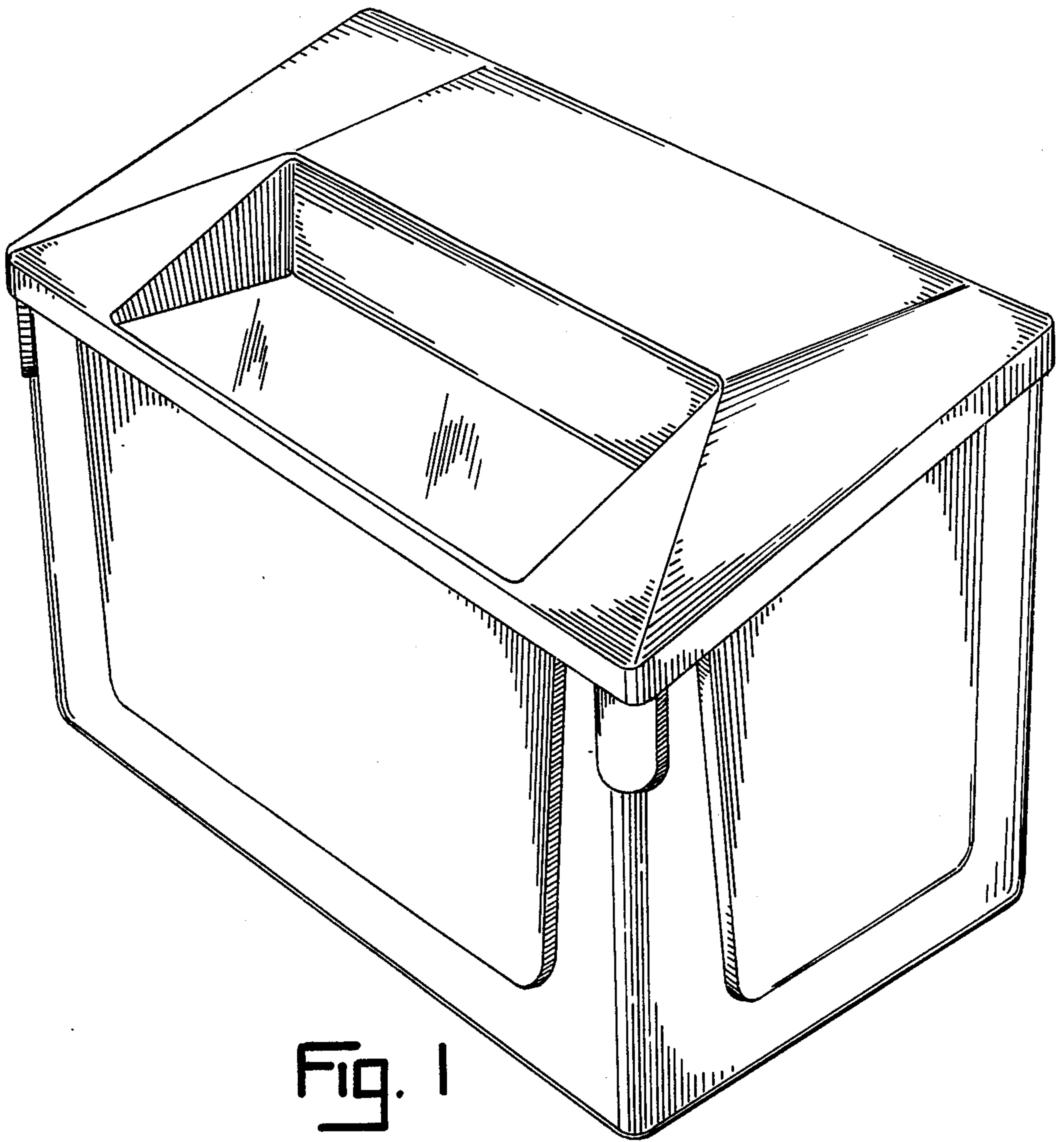


Fig. 1

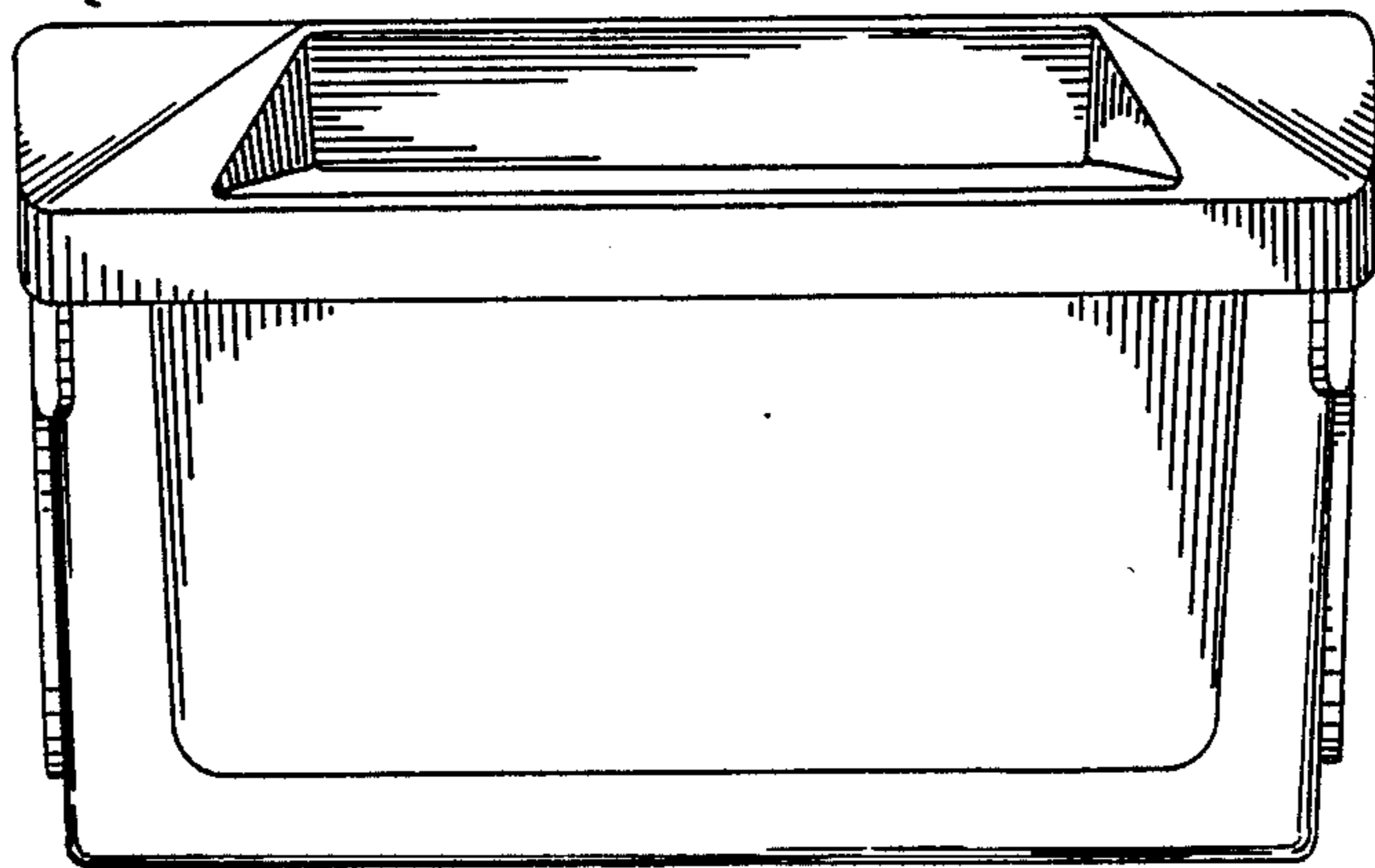


Fig. 2

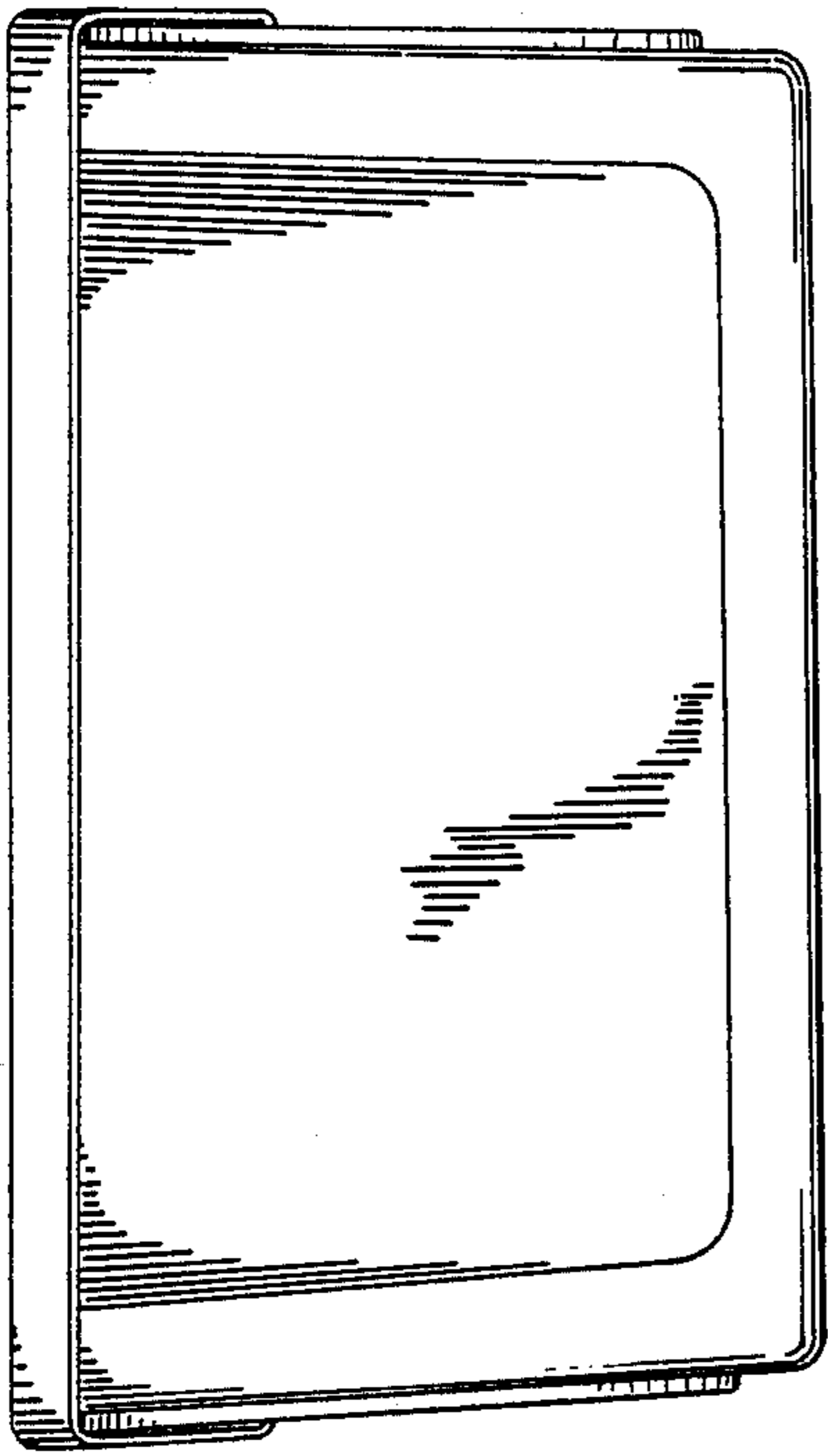


FIG. 4

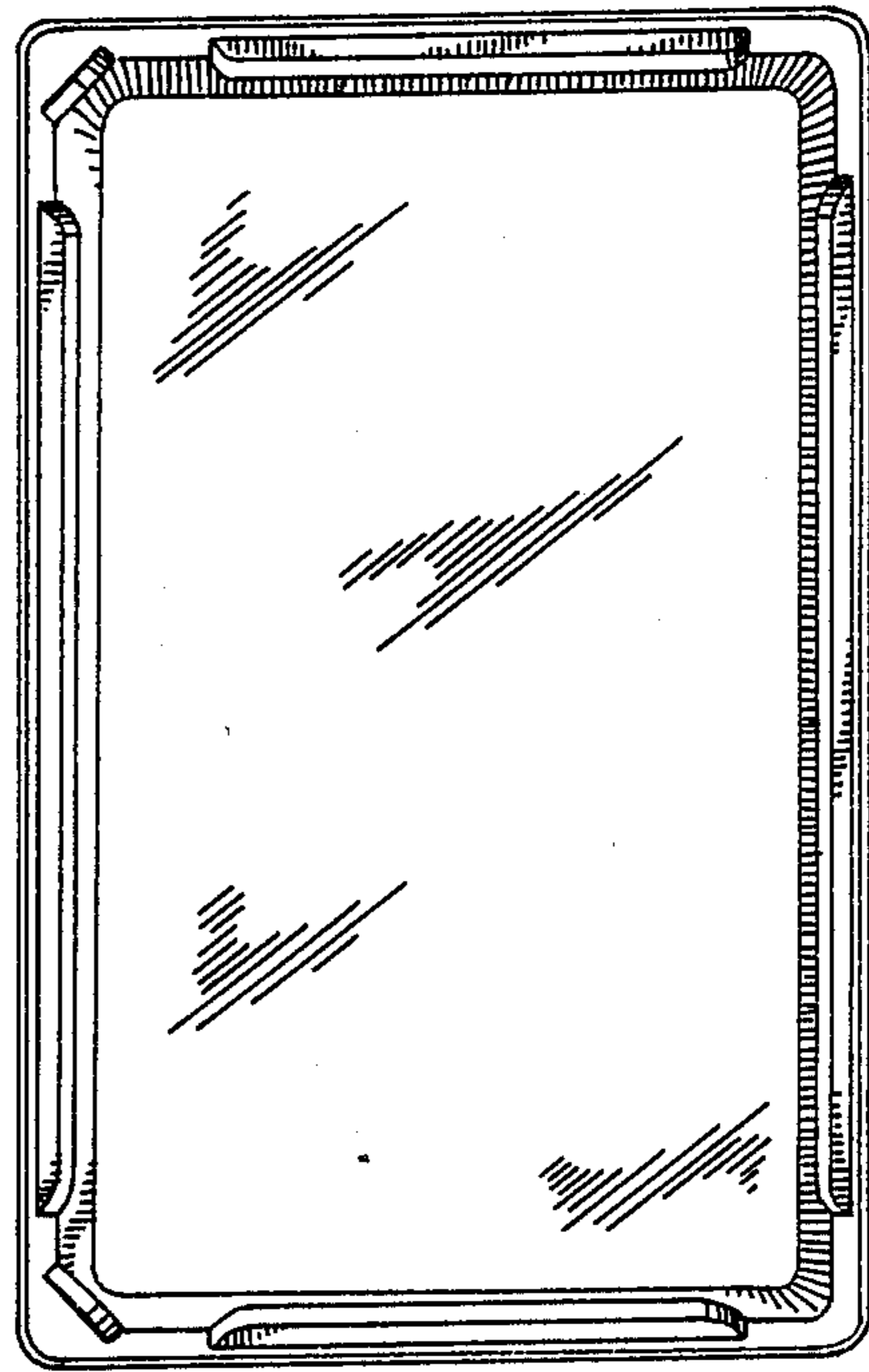


FIG. 6

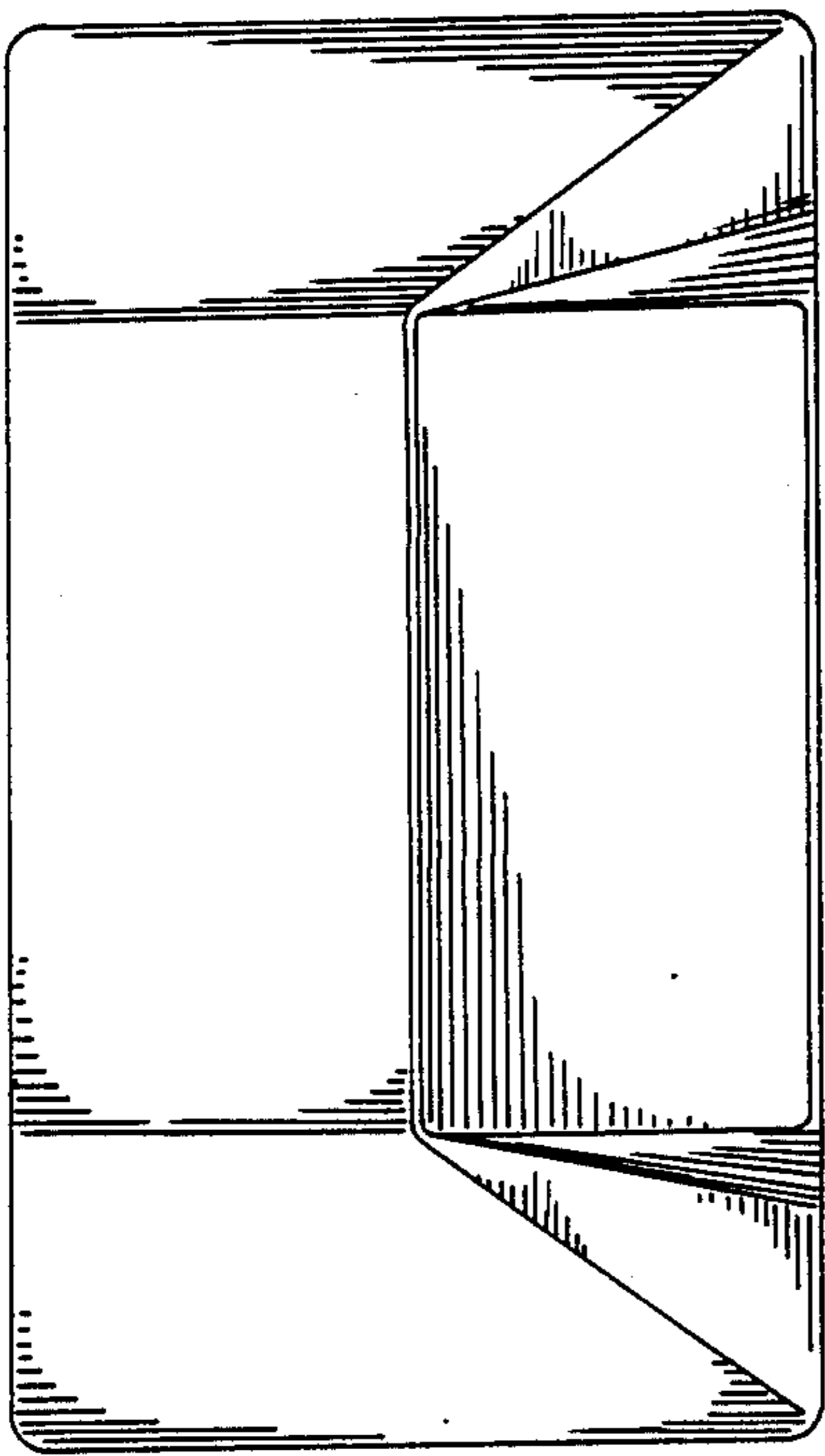


FIG. 3

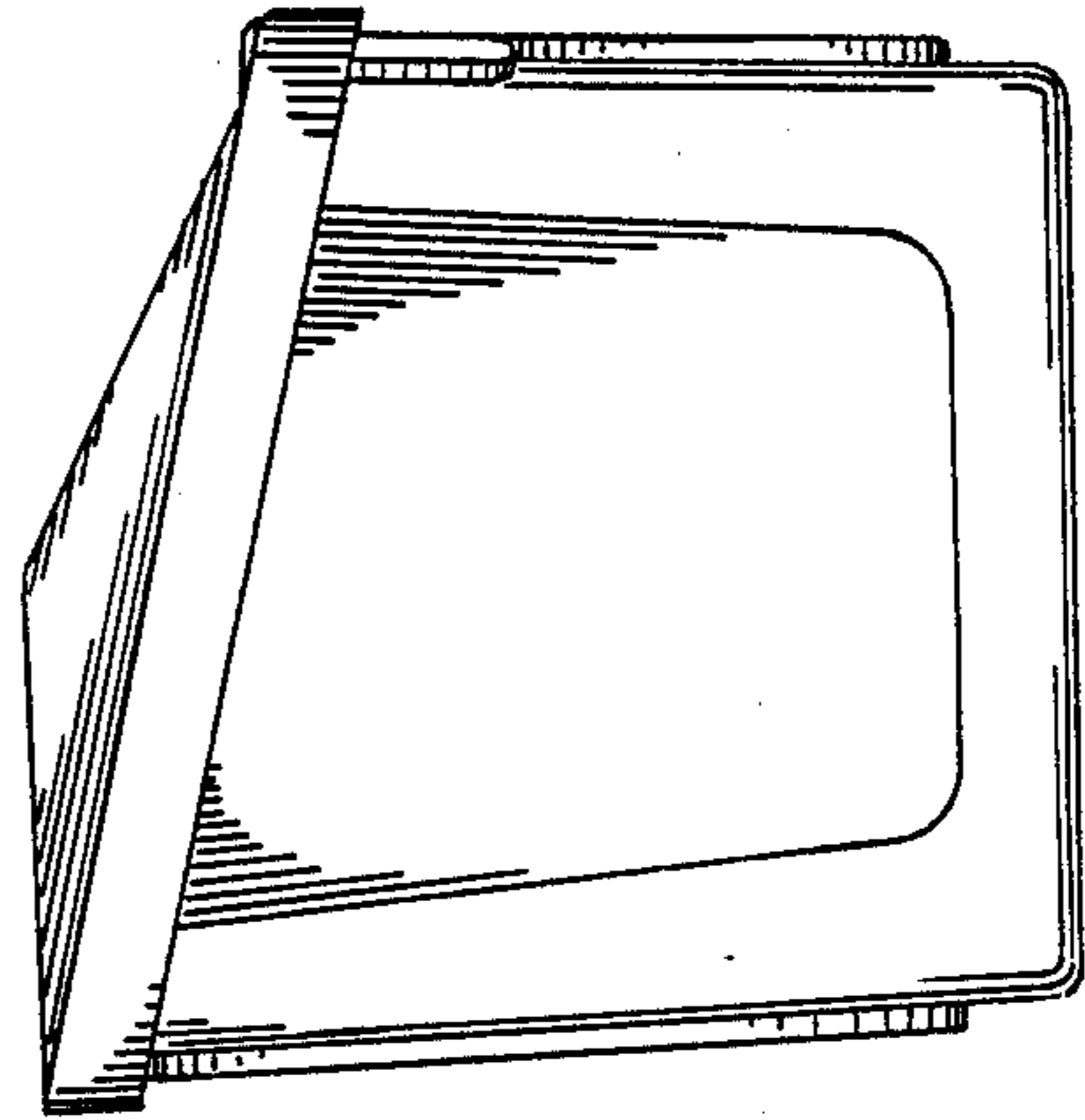


FIG. 5

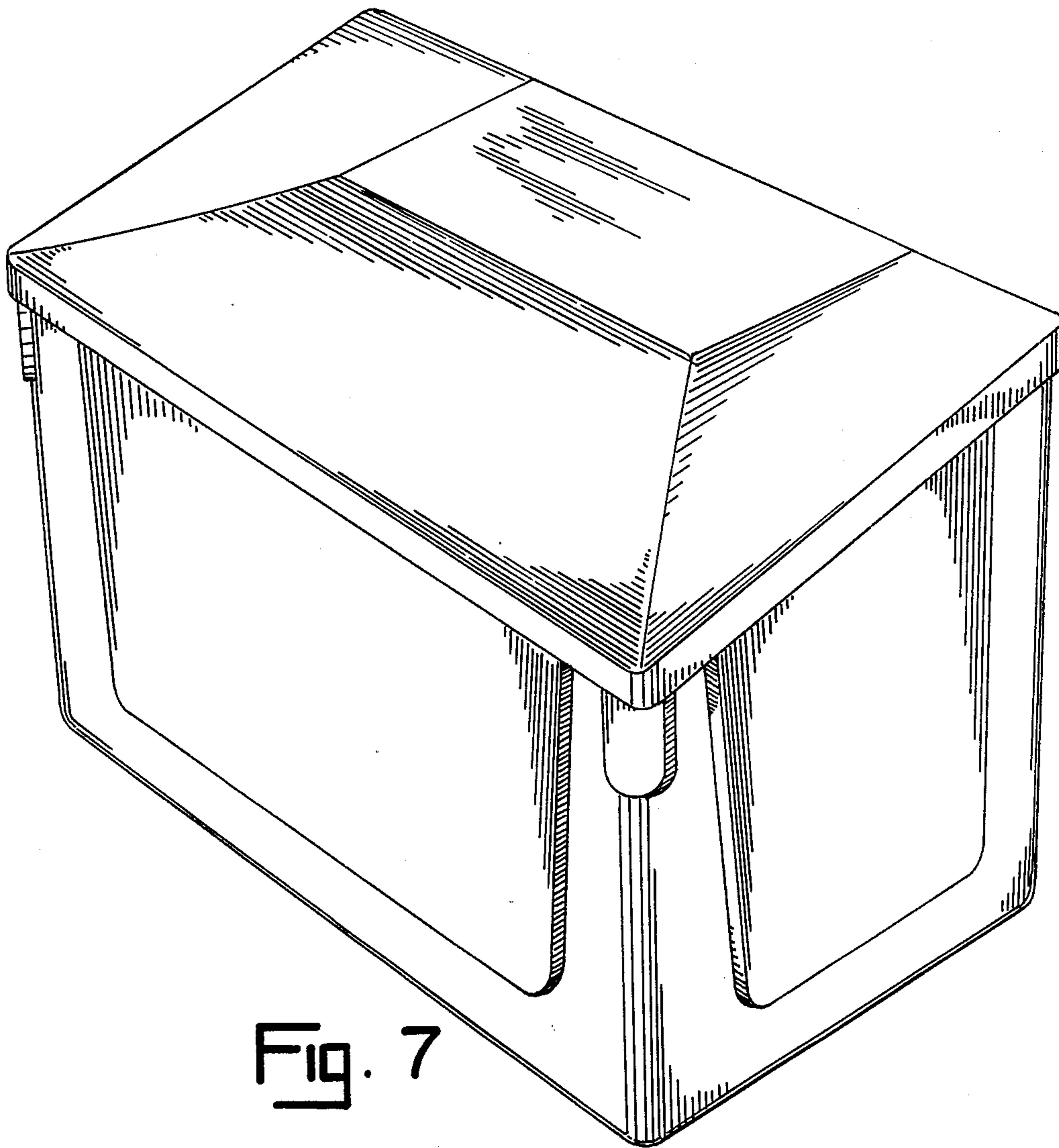


Fig. 7

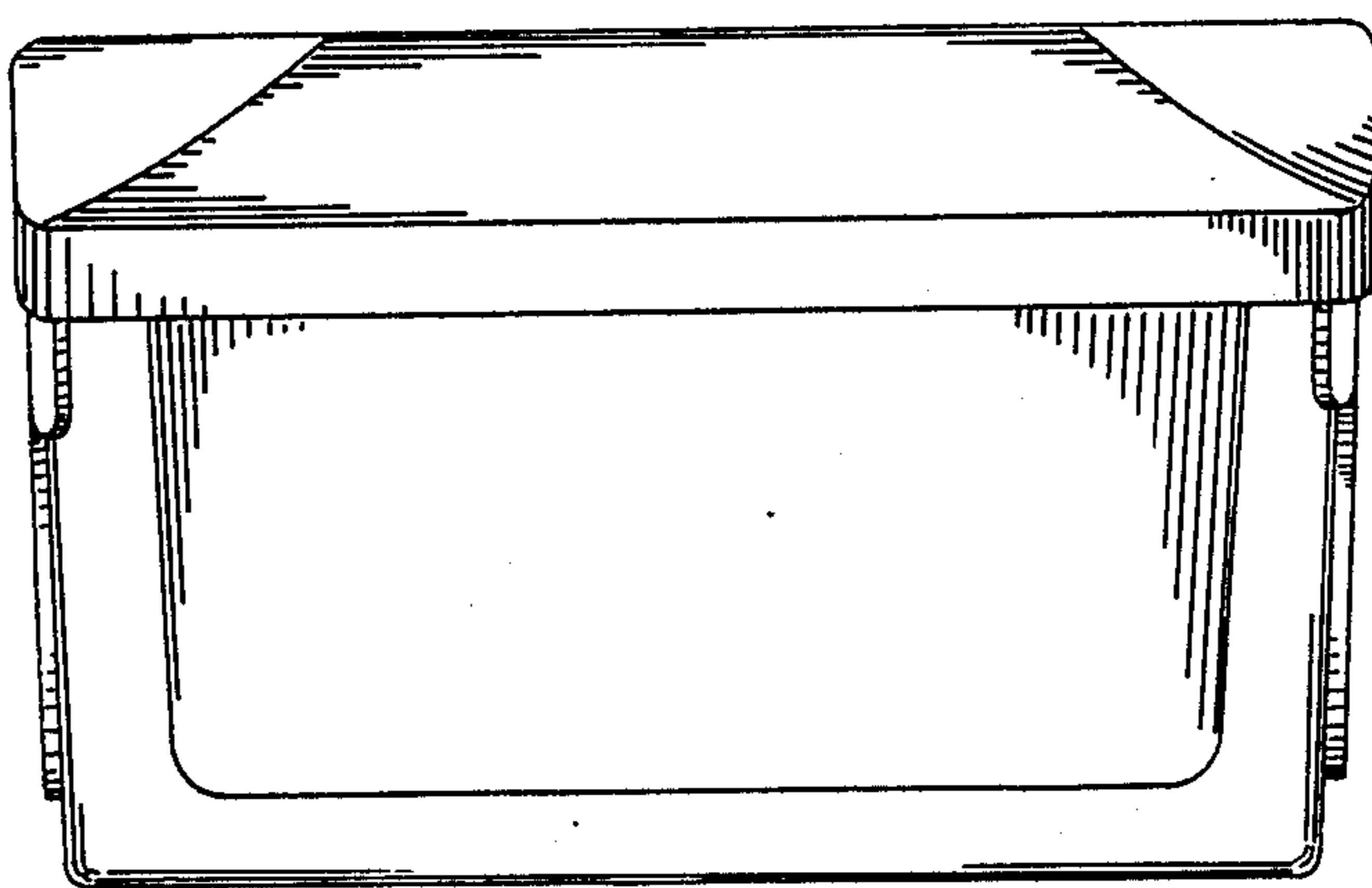


Fig. 8

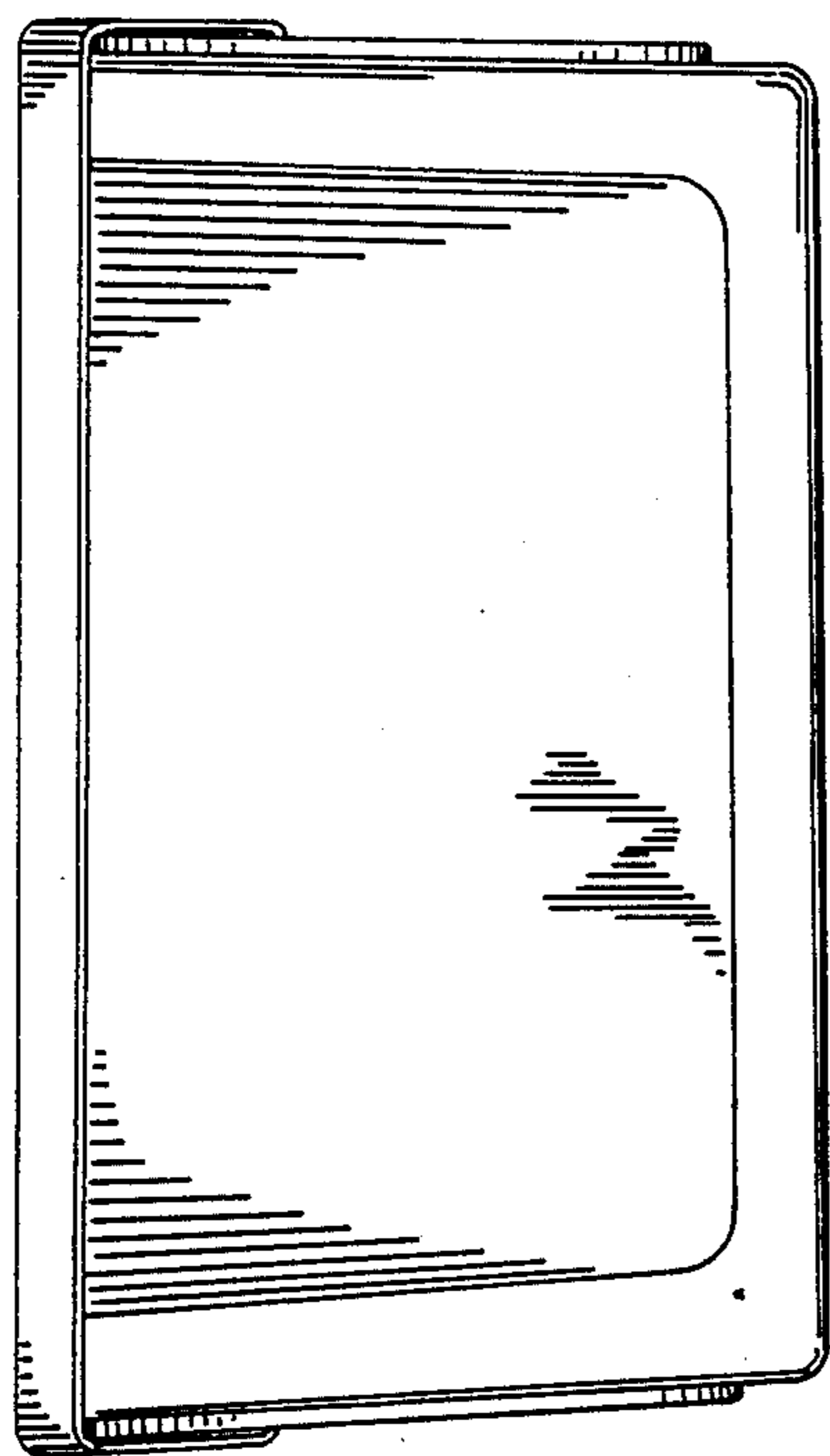


FIG. 10

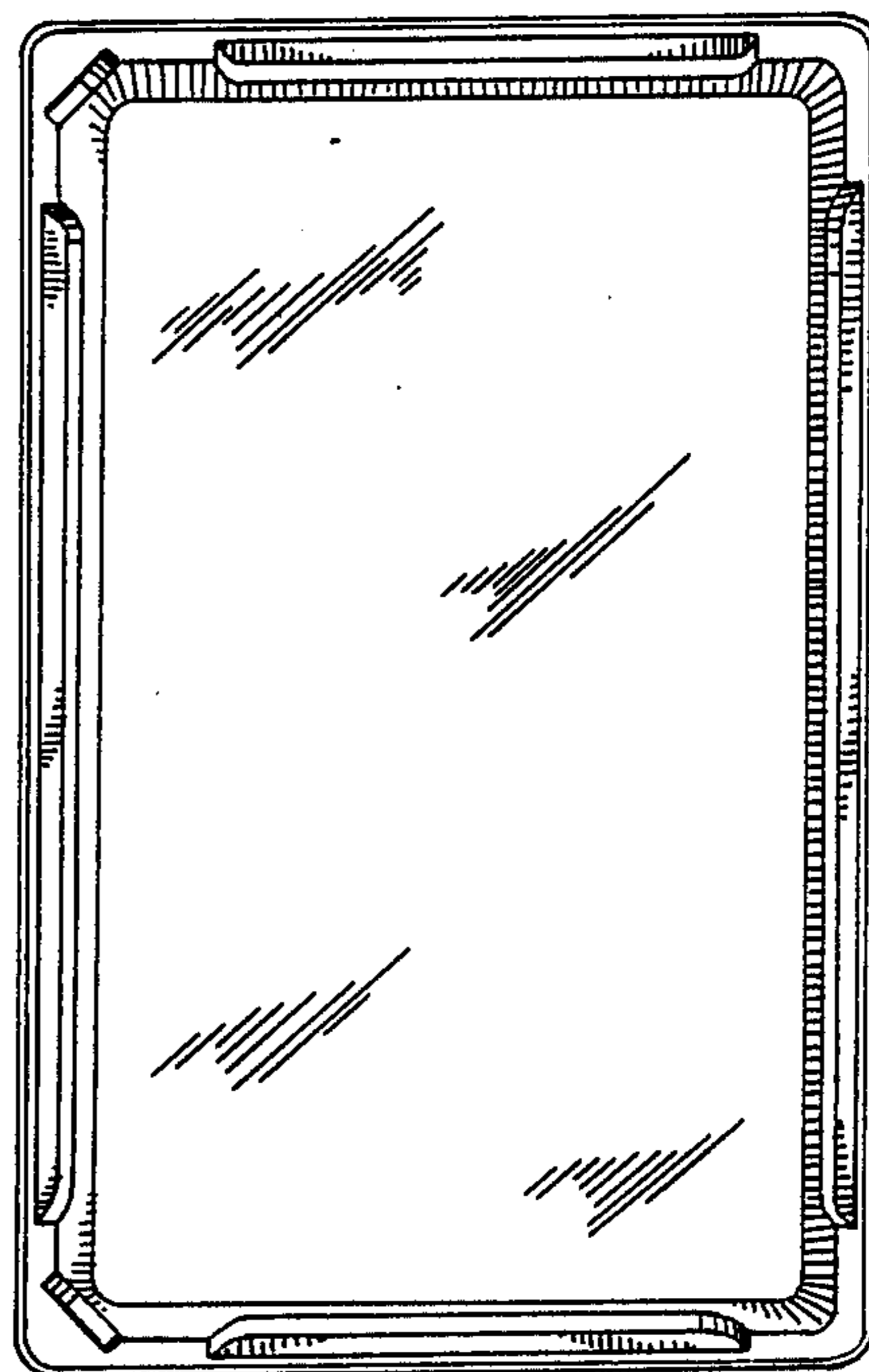


FIG. 12

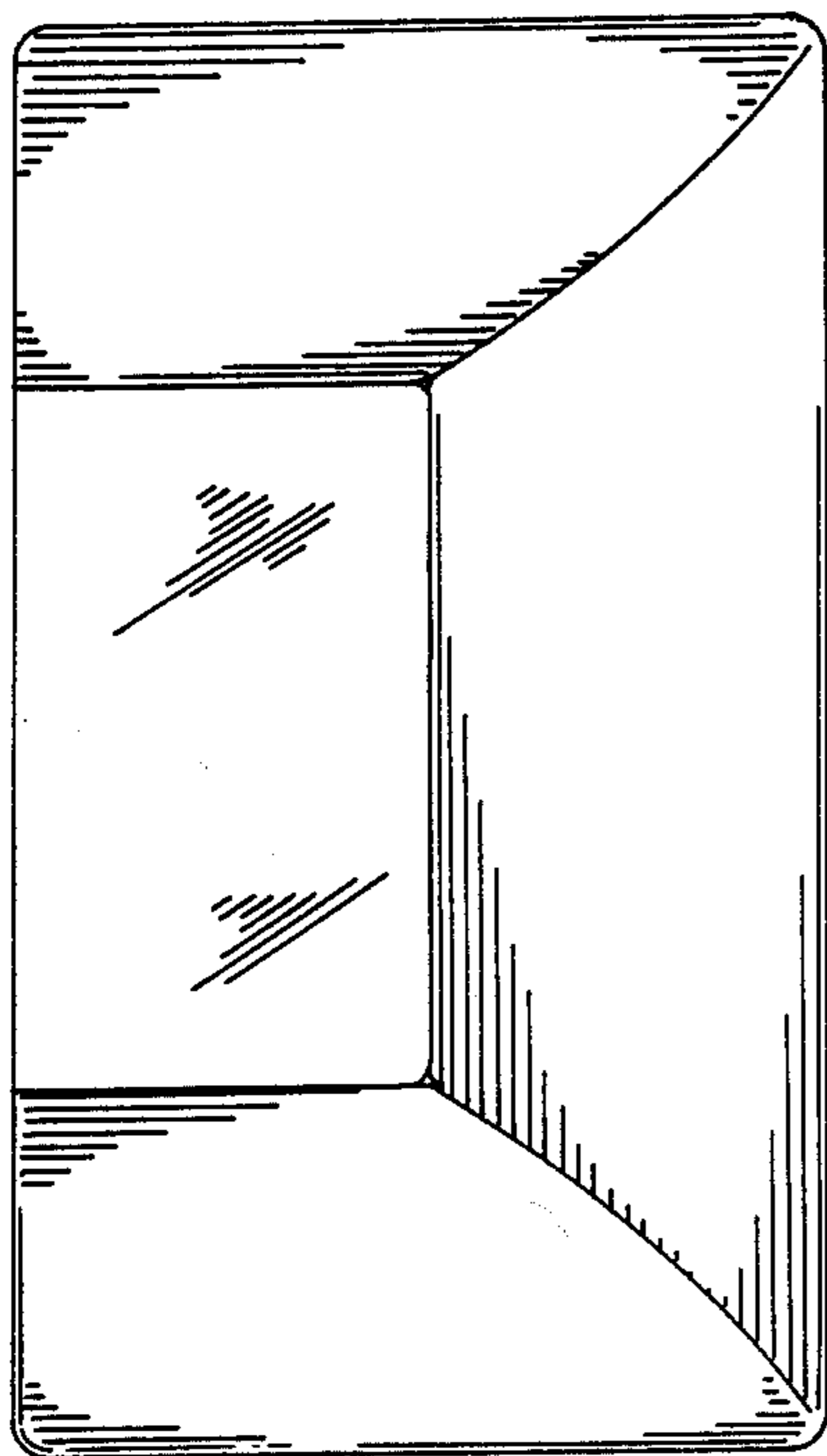


FIG. 9

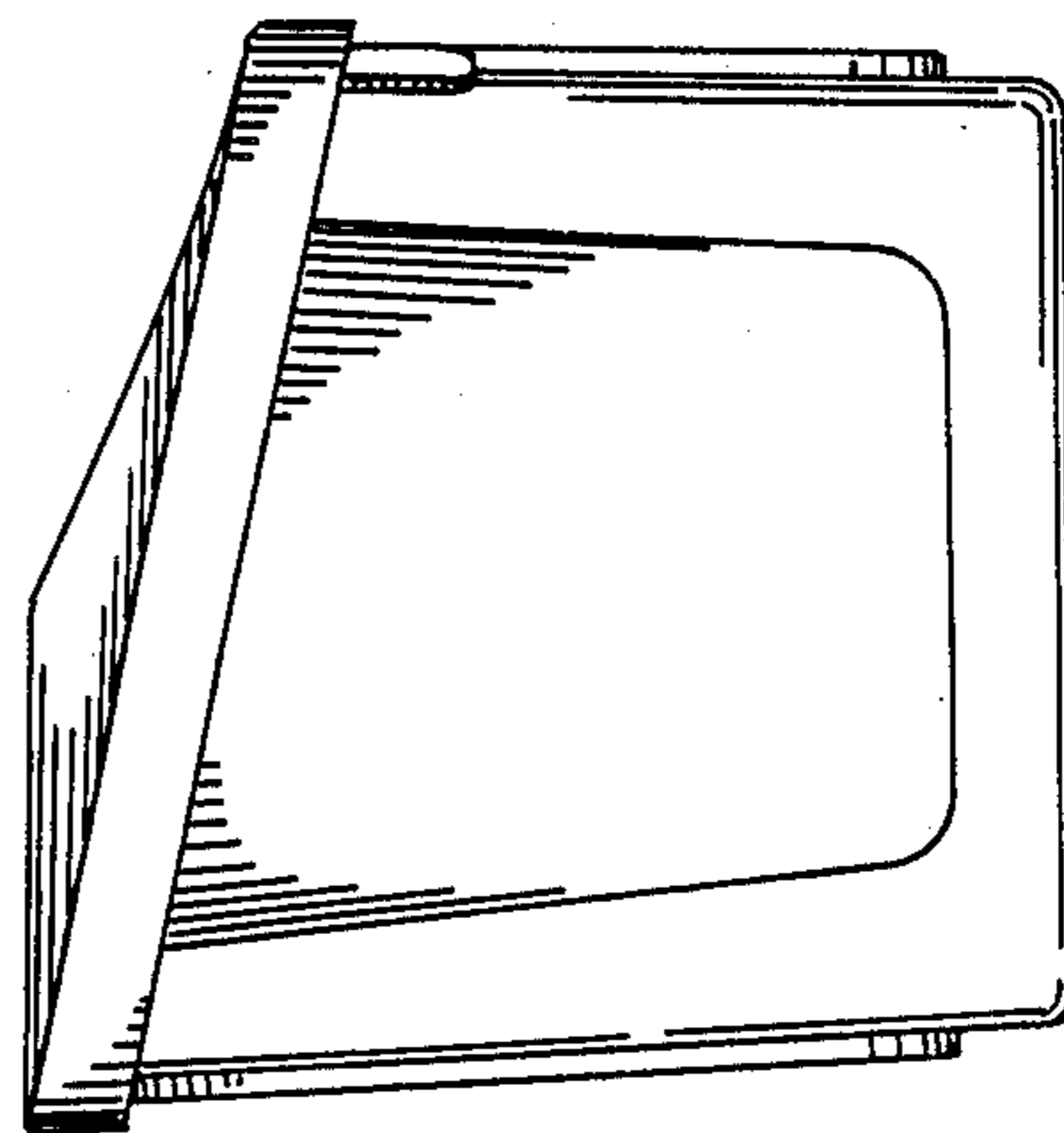


FIG. 11