

[54] **DOCK STORAGE BOX**

[75] **Inventor: Richard L. Willson, South Bend, Ind.**

[73] **Assignee: Spin-Cast Plastics, Inc., So. Bend, Ind.**

[**] **Term: 14 Years**

[21] **Appl. No.: 174,539**

[22] **Filed: Mar. 28, 1988**

[52] **U.S. Cl. D9/432; D9/424**

[58] **Field of Search D9/414-433; D34/40-46; 206/546, 276, 541; 220/83, 1.5, 68, DIG. 12, DIG. 10, 903**

[56] **References Cited**

U.S. PATENT DOCUMENTS

- D. 167,622 9/1952 Erickson D34/43
- D. 246,854 1/1978 Baker D9/341 X
- D. 252,179 6/1979 Cherry D34/44 X

- D. 286,937 11/1986 Schafer D34/43
- 3,027,045 3/1962 Wilson D34/40 X
- 3,443,717 5/1969 Wettlen et al. 220/83 X

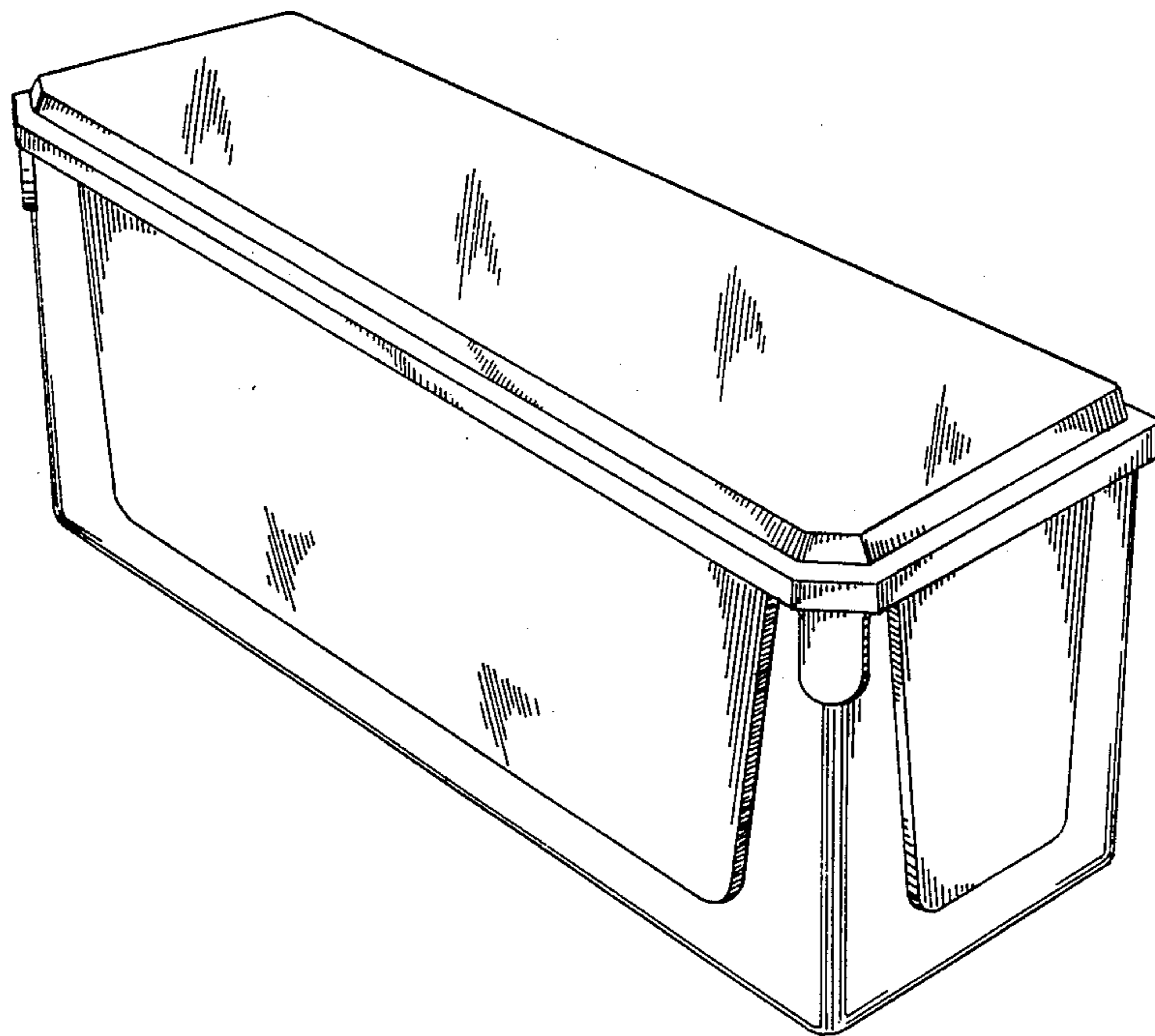
Primary Examiner—Bernard Ansher
Assistant Examiner—Prabhakar Deshmukh
Attorney, Agent, or Firm—Thomas J. Dodd

[57] **CLAIM**

The ornamental design for a dock storage box, as shown and described.

DESCRIPTION

FIG. 1 is an enlarged perspective view of a dock storage box showing my new design; FIG. 2 is a left side elevation thereof; the right side elevation being a mirror image; FIG. 3 is a front elevation thereof; FIG. 4 is a bottom plan view thereof; FIG. 5 is a top plan view thereof; and FIG. 6 is a rear side elevation thereof.



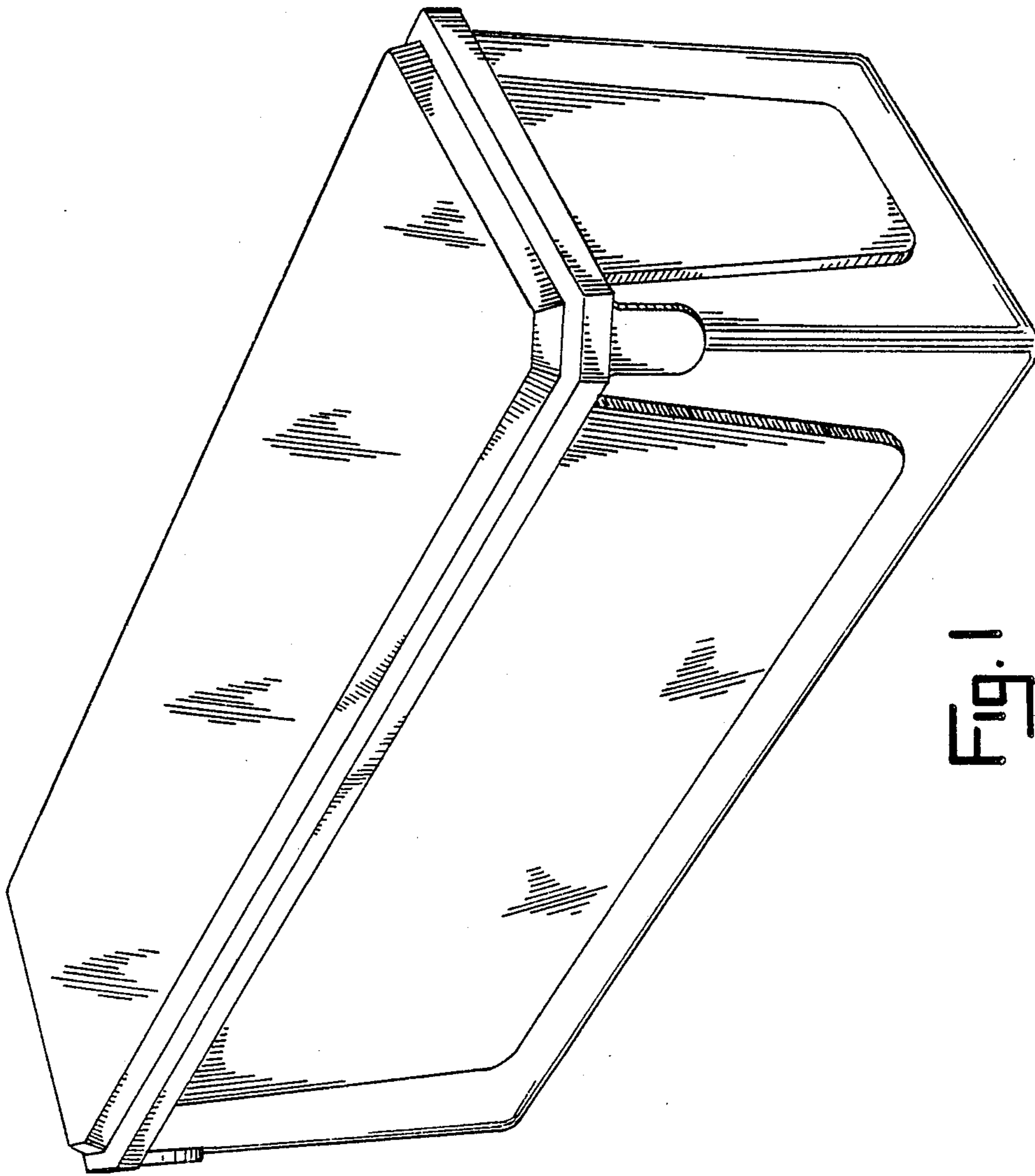


FIG. 1

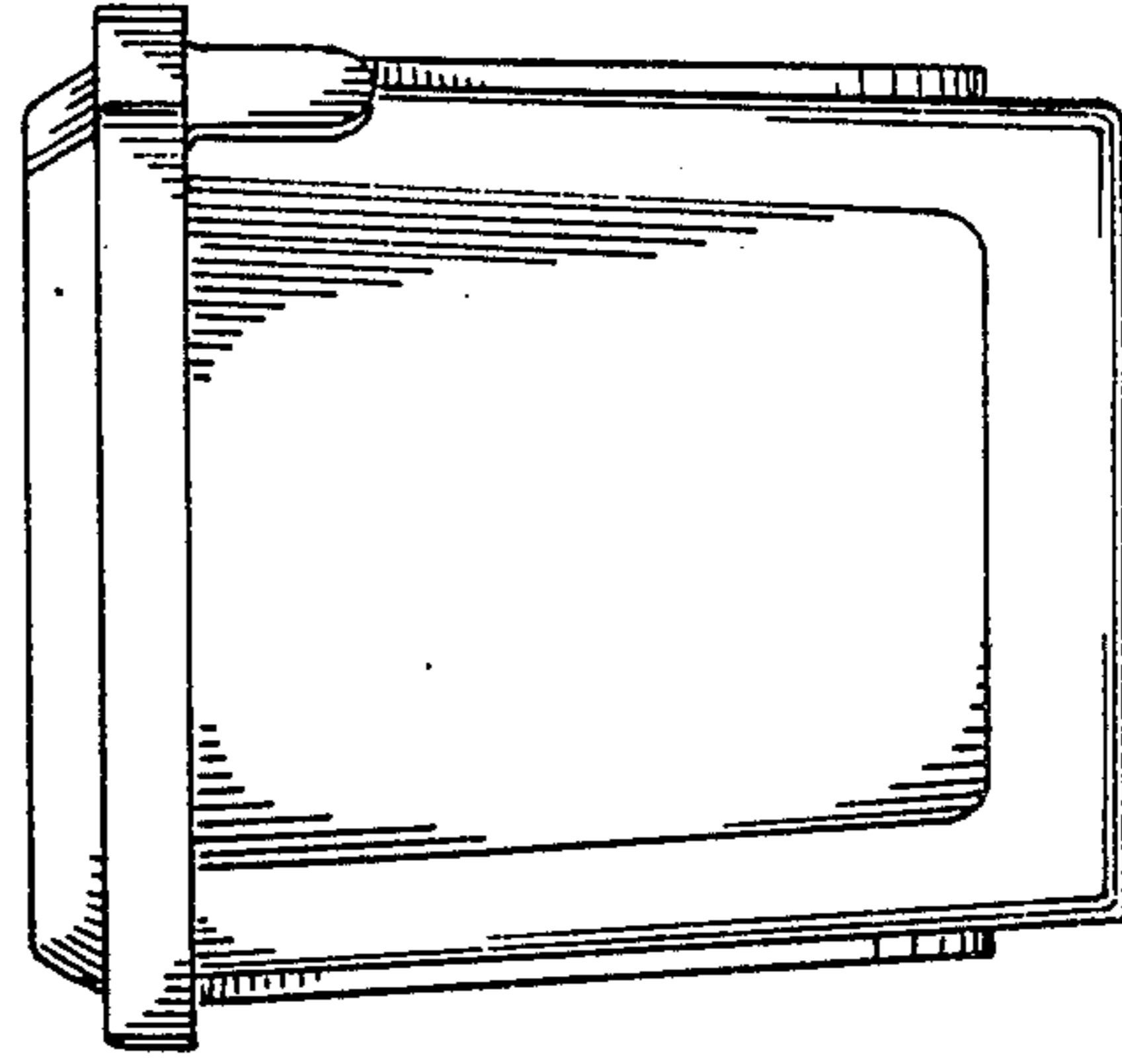


FIG. 2

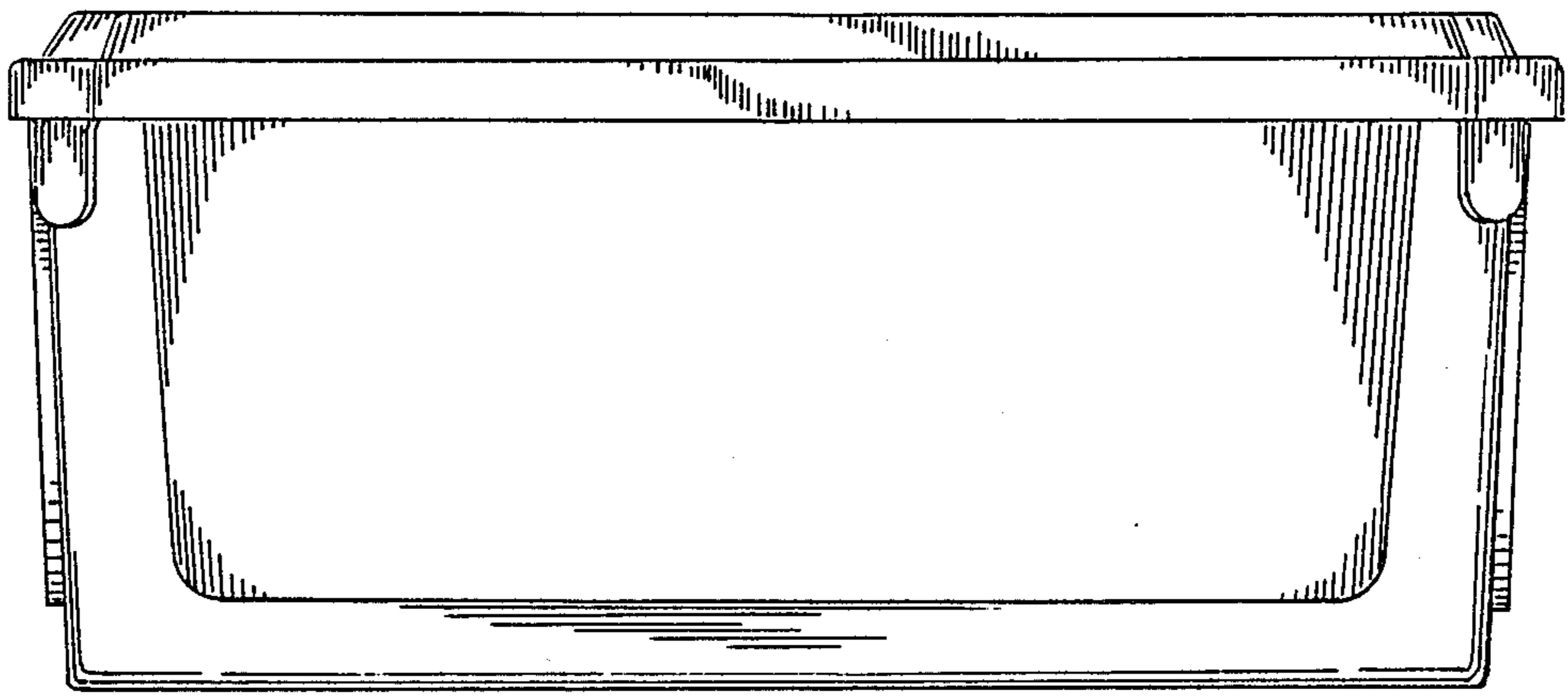


Fig. 3

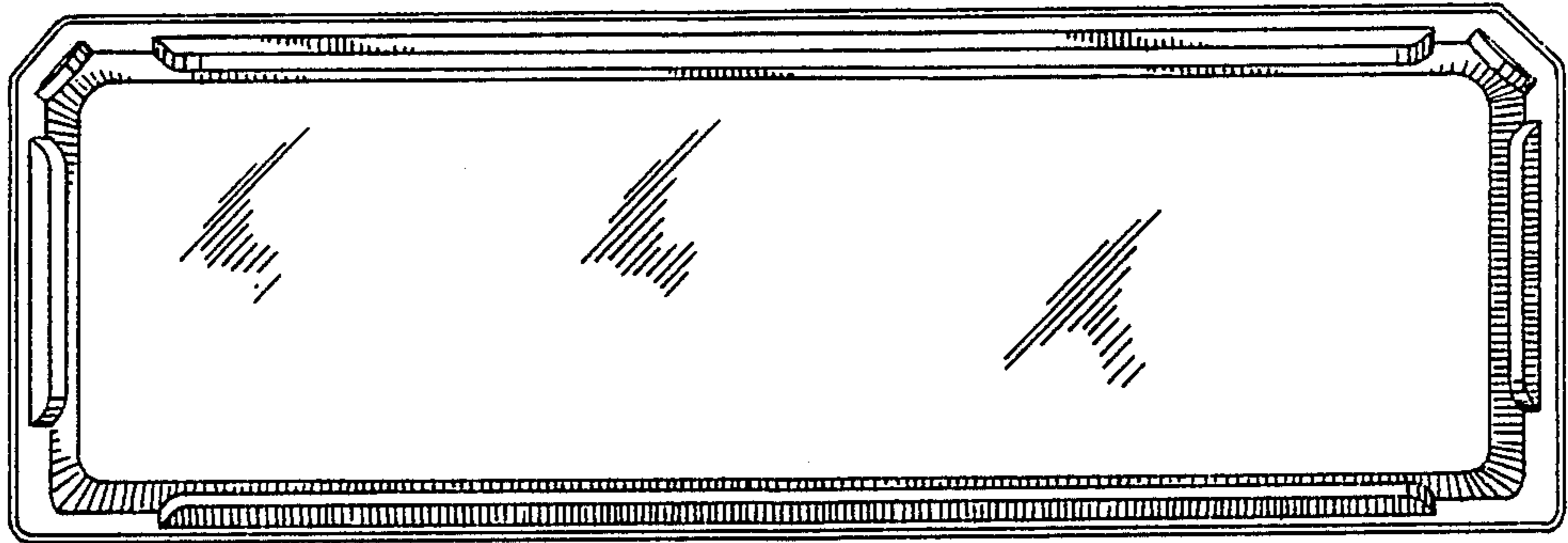


Fig. 4

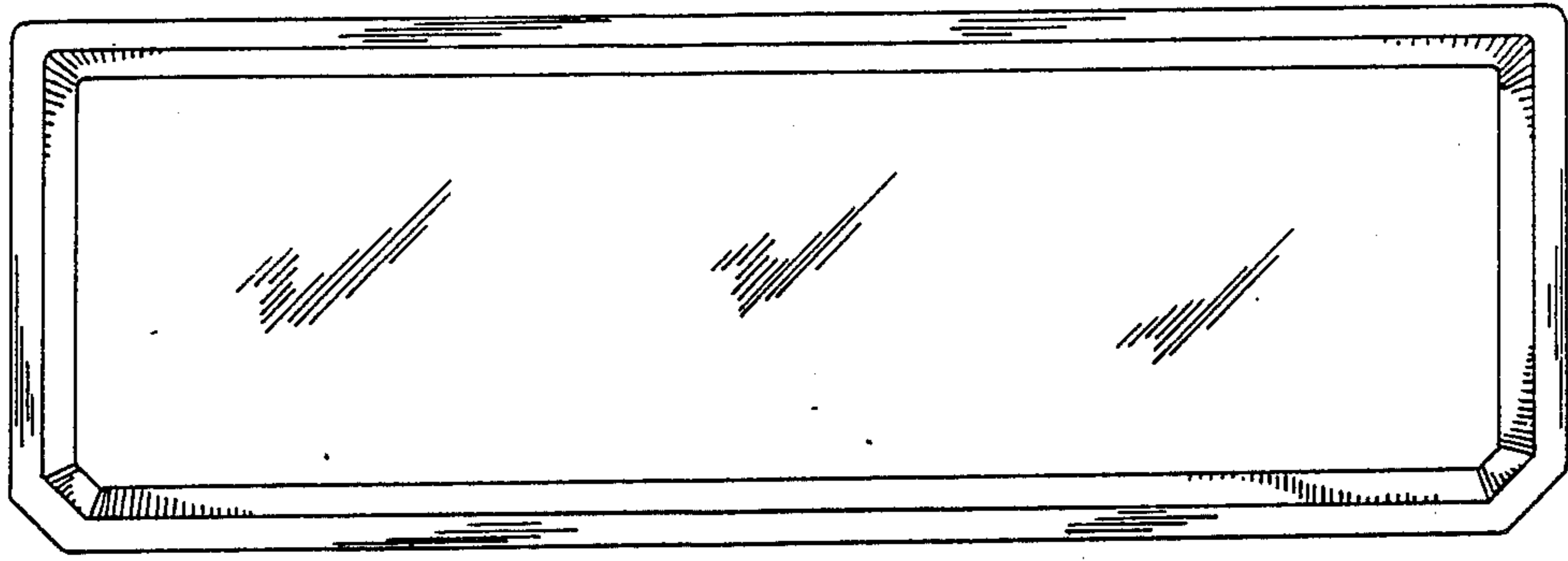


Fig. 5

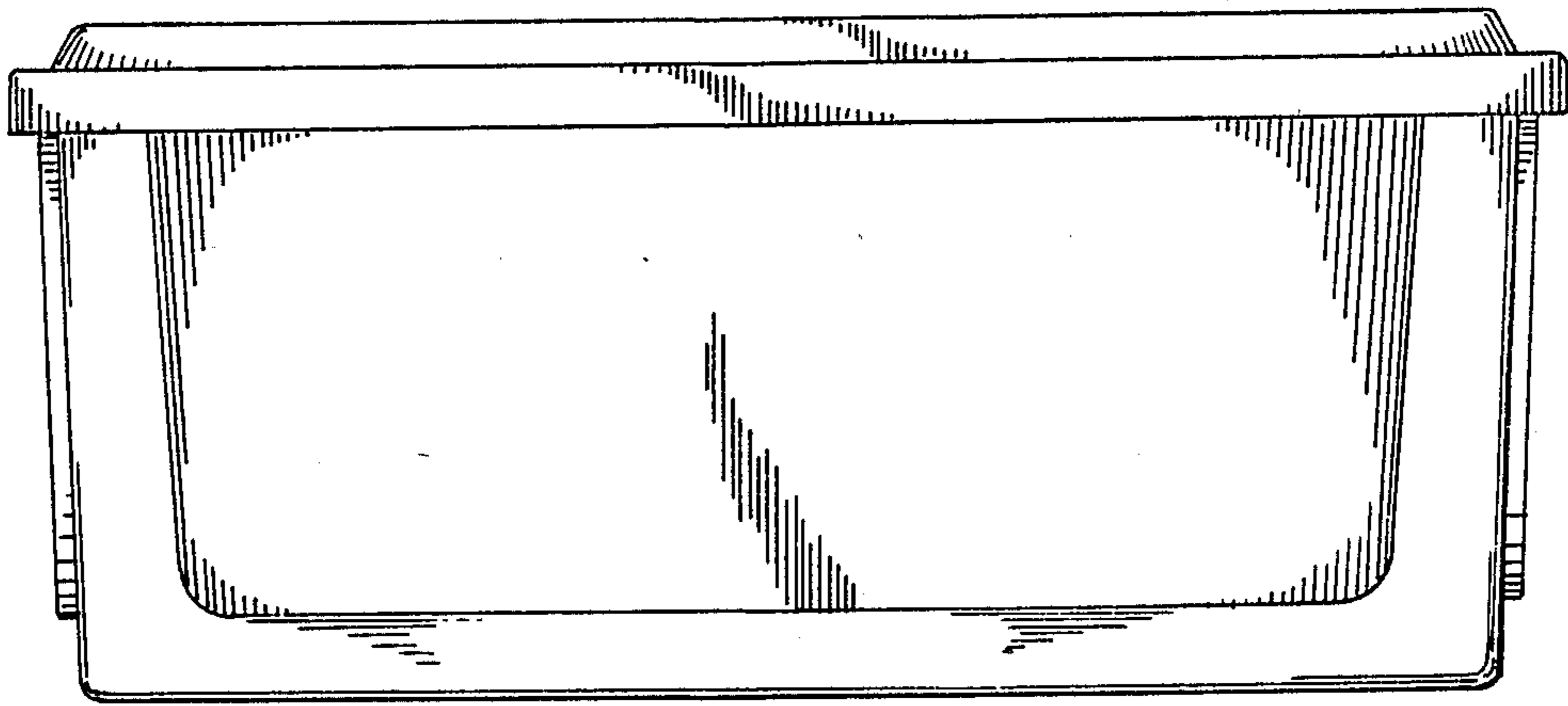


Fig. 6