

[54] **BOTTLE**

[75] **Inventor: Hans-Peter Wild, Heidelberg, Fed. Rep. of Germany**

[73] **Assignee: Rudolf Wild GmbH & Co. International KG, Fed. Rep. of Germany**

[**] **Term: 14 Years**

[21] **Appl. No.: 339,353**

[22] **Filed: Apr. 17, 1989**

[30] **Foreign Application Priority Data**

Oct. 26, 1988 [DE] Fed. Rep. of Germany M88 02 838.0

[52] **U.S. Cl. D9/401; D9/411**

[58] **Field of Search D9/401, 390-399, D9/403-413, 370, 400; 215/1 R, 1 C**

[56] **References Cited**

U.S. PATENT DOCUMENTS

D. 249,462 9/1978 Schwartz et al. D9/370

D. 268,324 3/1983 Gautier D9/406
D. 276,285 11/1984 Tober et al. D9/398
D. 294,118 2/1988 Papa D9/390
D. 294,462 3/1988 Ota et al. D9/392
4,818,575 4/1989 Hirata et al. 215/1 C X

FOREIGN PATENT DOCUMENTS

2025889 1/1980 United Kingdom 215/1 C

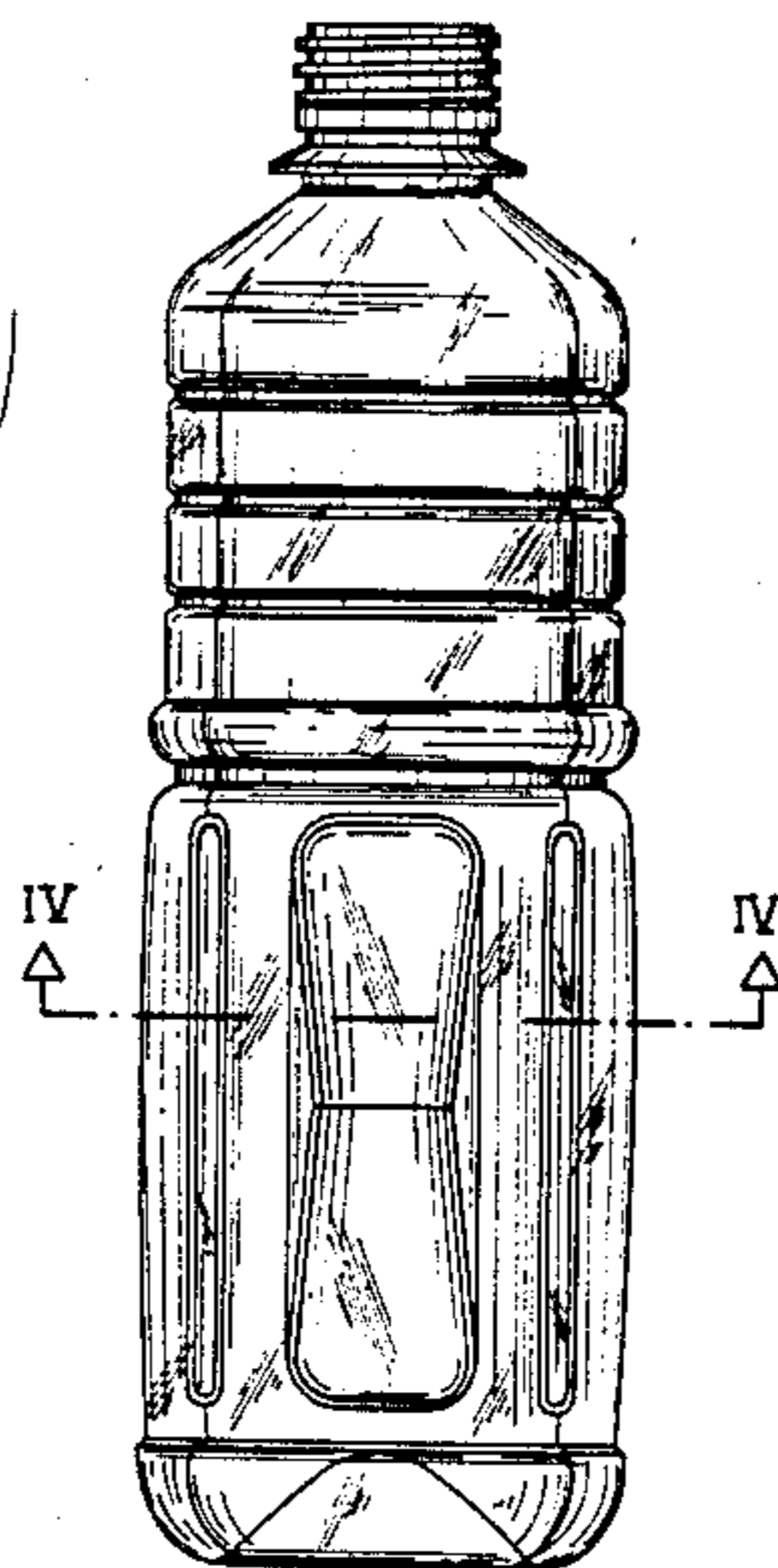
Primary Examiner—Melvin B. Feifer
Assistant Examiner—Lucy Lieberman
Attorney, Agent, or Firm—Darby & Darby

[57] **CLAIM**

The ornamental design for a bottle, as shown and described.

DESCRIPTION

FIG. 1 is a top plan view of a bottle showing my new design;
FIG. 2 is a side elevation view thereof;
FIG. 3 is a bottom plan view thereof;
FIG. 4 is a cross-sectional view thereof taken along the section line 4—4 in FIG. 2; and
FIG. 5 is a top perspective view thereof.



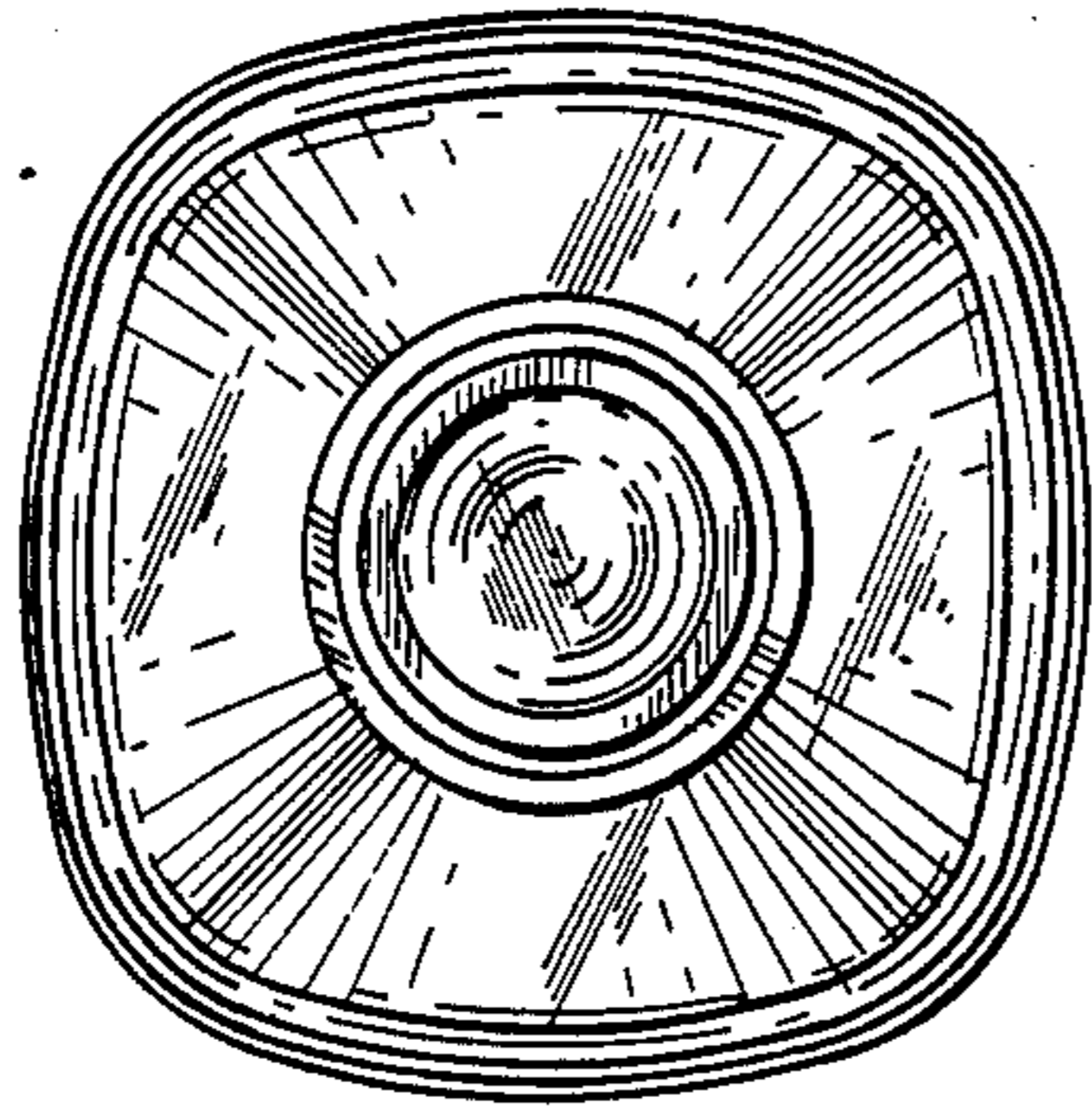


FIG. 1

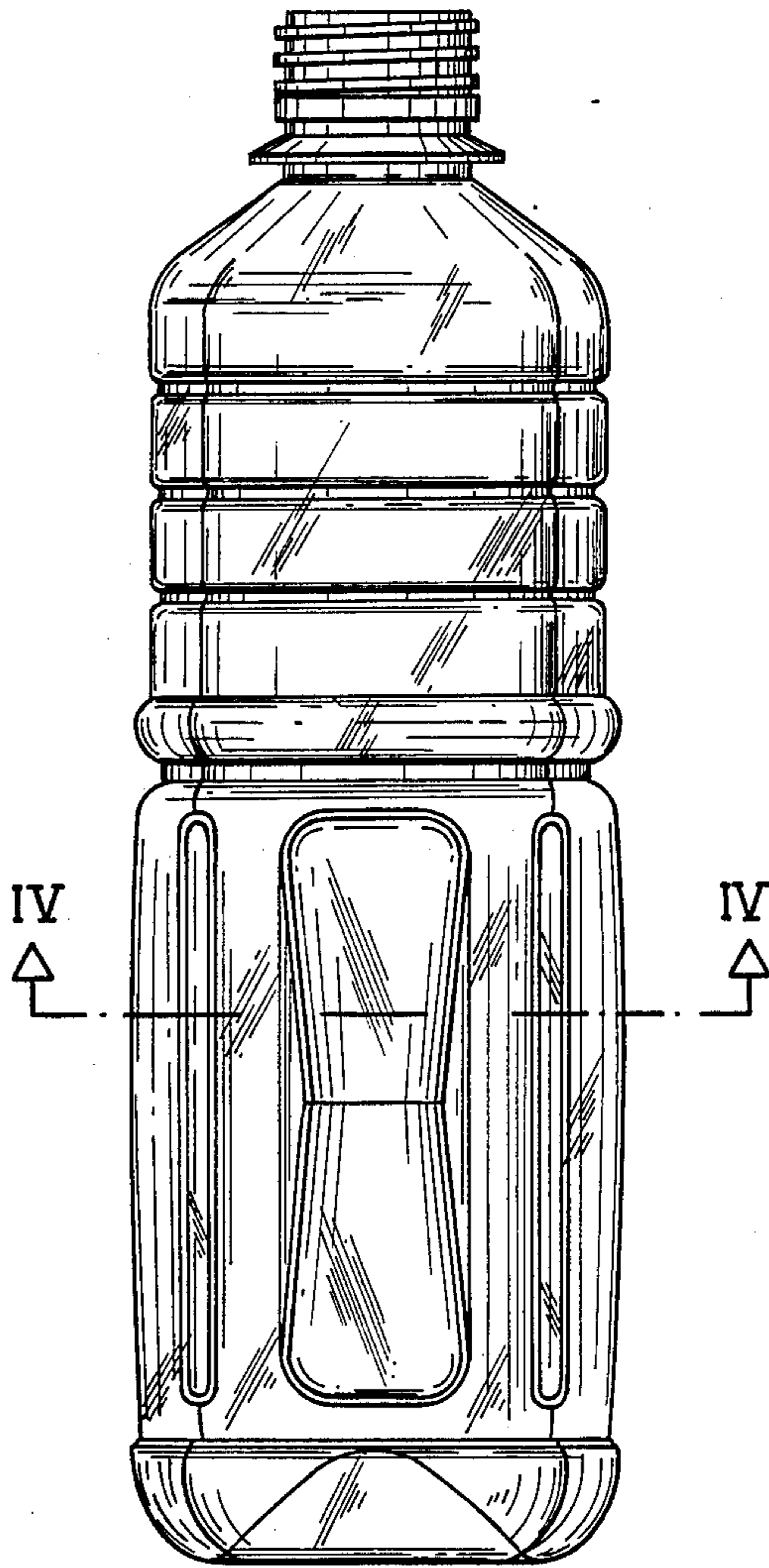


FIG. 2

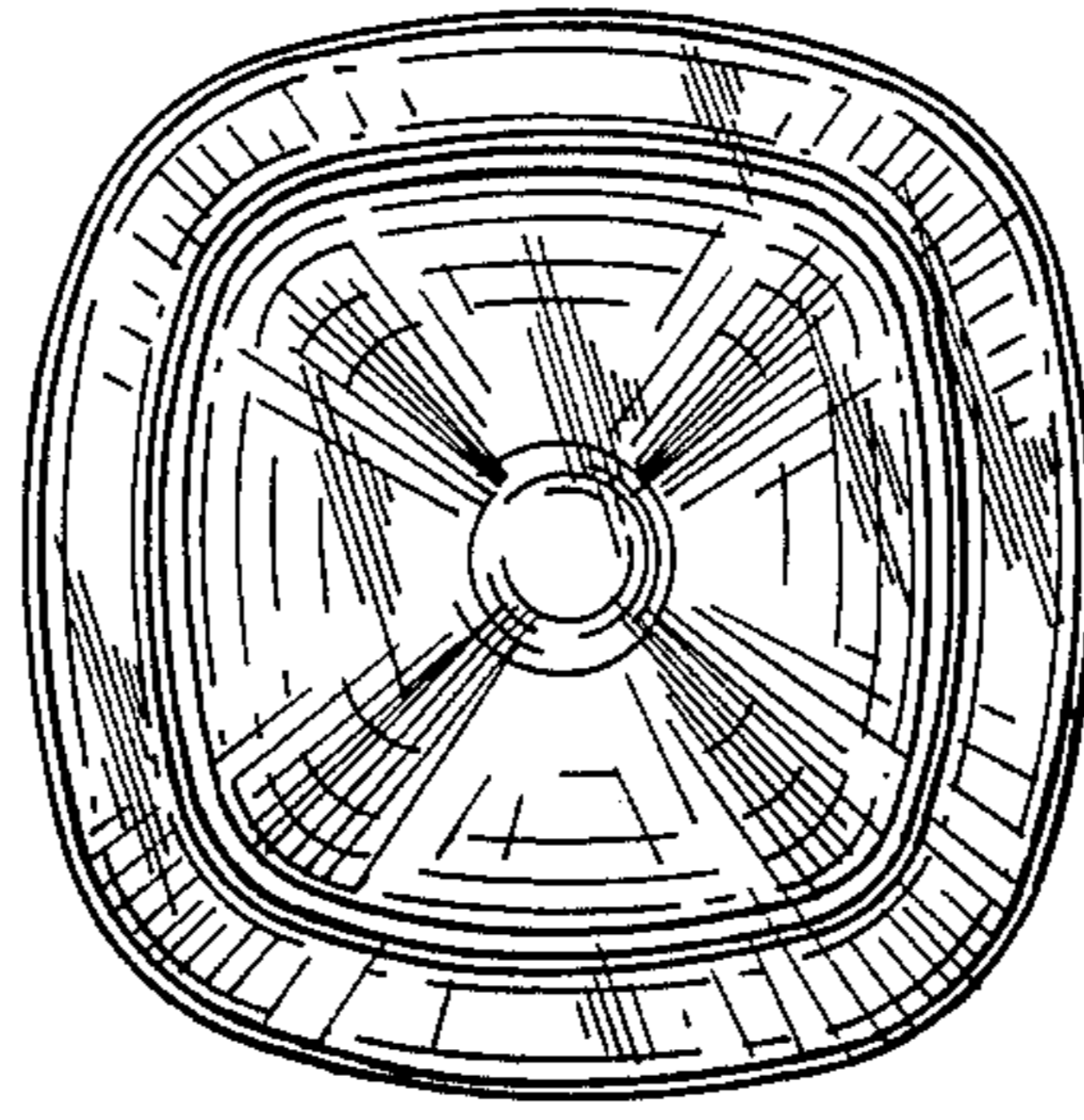


FIG. 3

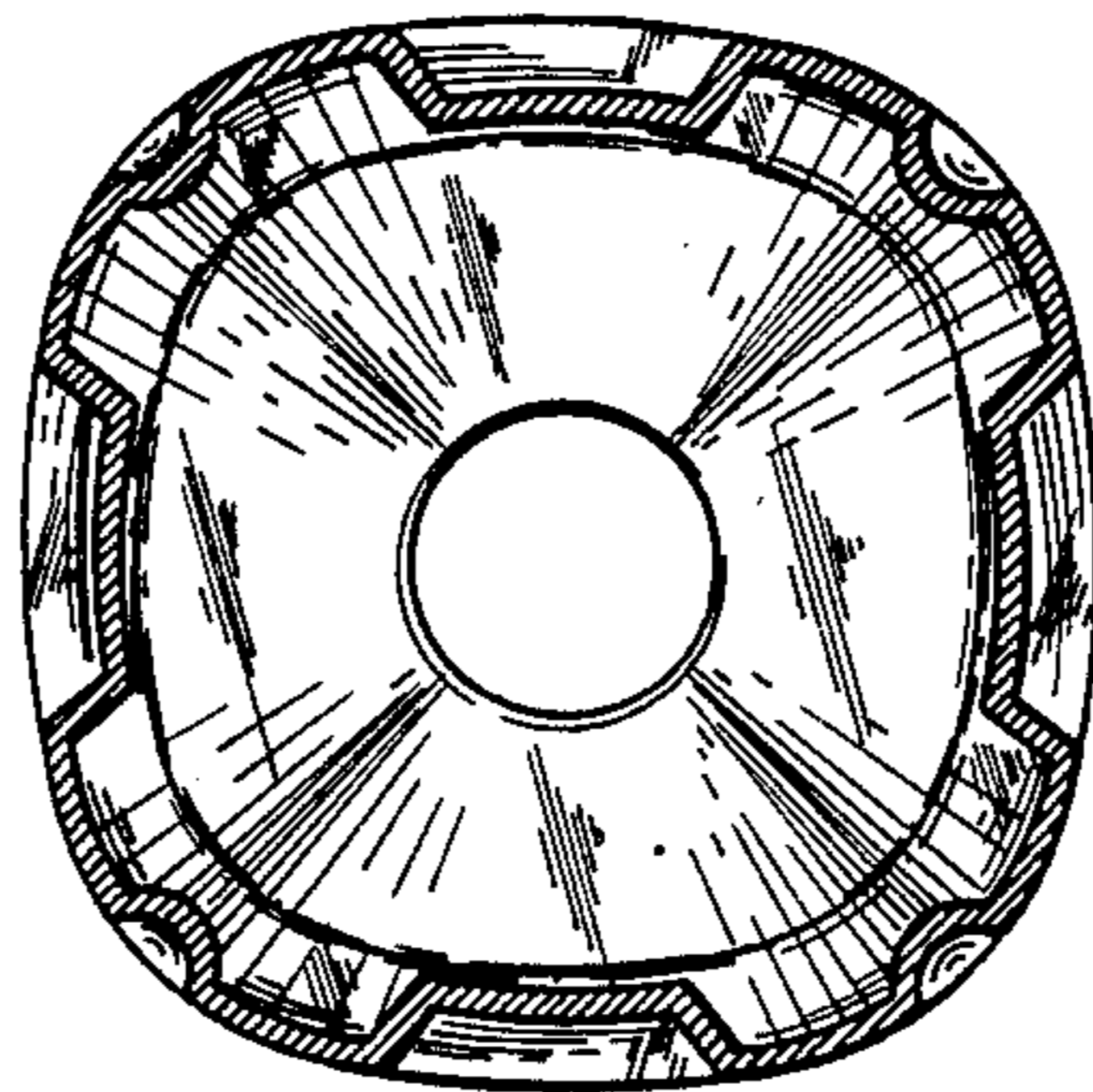


FIG. 4

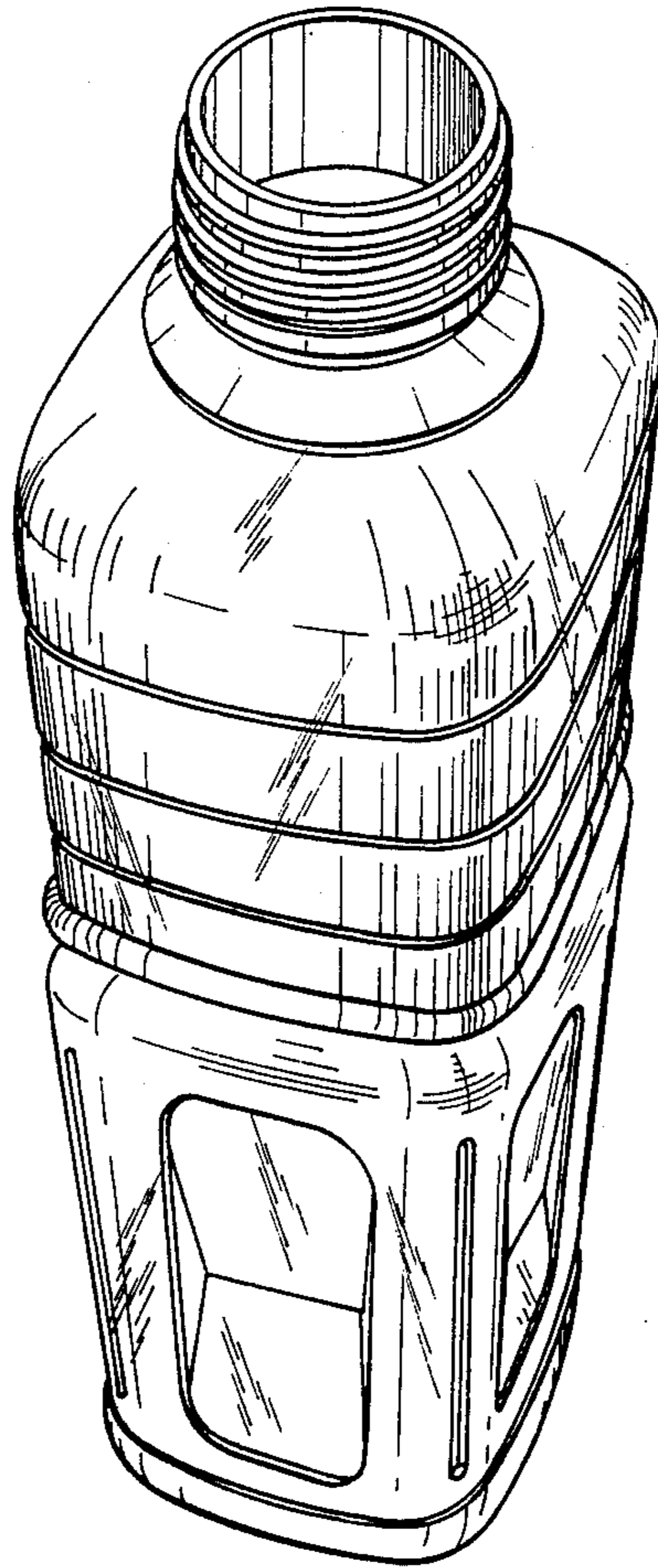


FIG. 5