

[54] VOLLEYBALL NET TENSIONING DEVICE

[75] Inventor: Christopher M. Pohrer, St. Louis County, Mo.

[73] Assignee: Aalco Manufacturing Company, St. Louis, Mo.

[**] Term: 14 Years

[21] Appl. No.: 163,460

[22] Filed: Mar. 3, 1988

[52] U.S. Cl. D8/383; D8/356

[58] Field of Search D8/382, 383, 356, 394; D21/200; 273/29 BC, 411; 254/199, 224, 225, 238

[56] References Cited

U.S. PATENT DOCUMENTS

D. 247,020	1/1978	Glumac	D8/394
D. 268,247	3/1983	Prete, Jr.	D8/383
982,586	1/1911	Gellert et al.	D8/356
1,544,840	7/1925	Henson	254/224

3,940,139	2/1976	Barnes	273/411
4,253,671	3/1981	Pace	273/411
4,830,382	5/1989	Wheeler	273/411
4,844,477	7/1989	Pardi	273/411

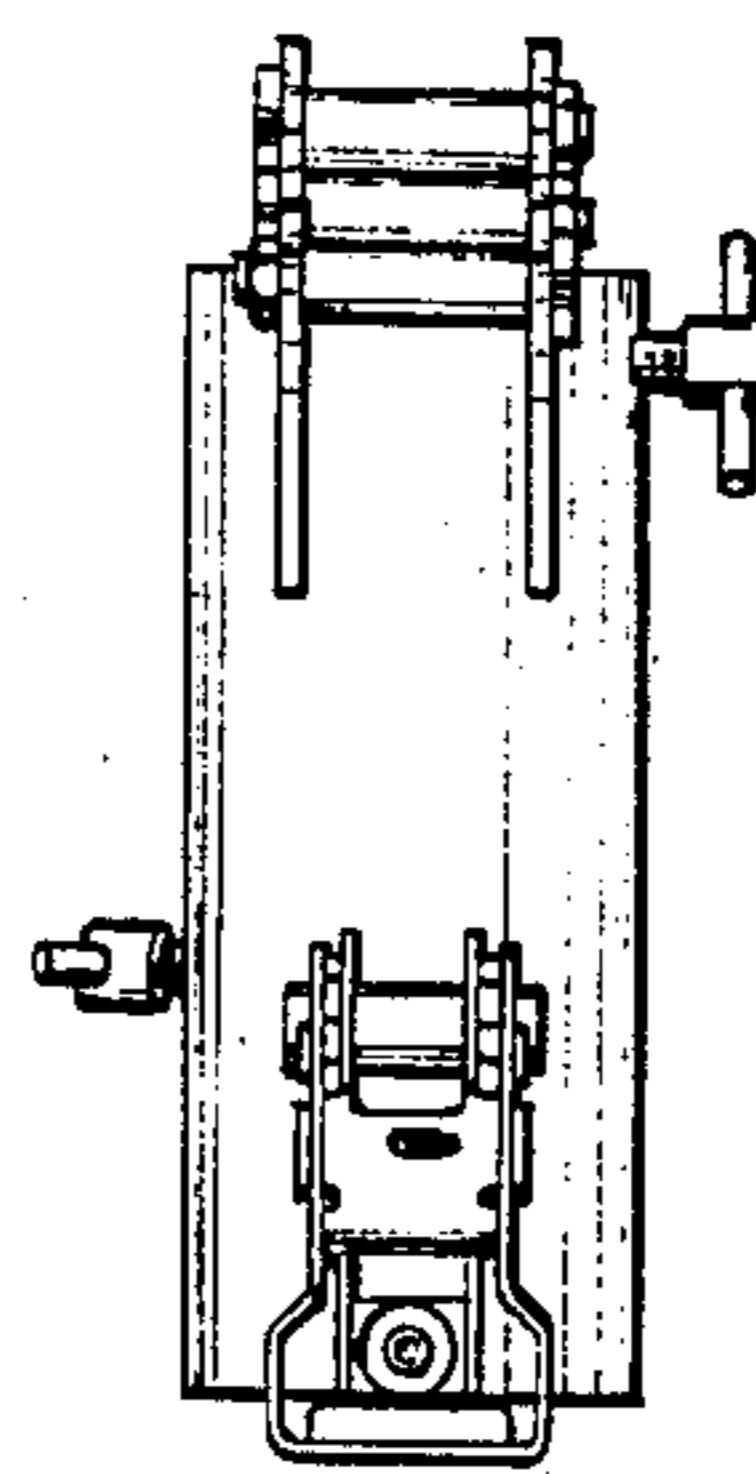
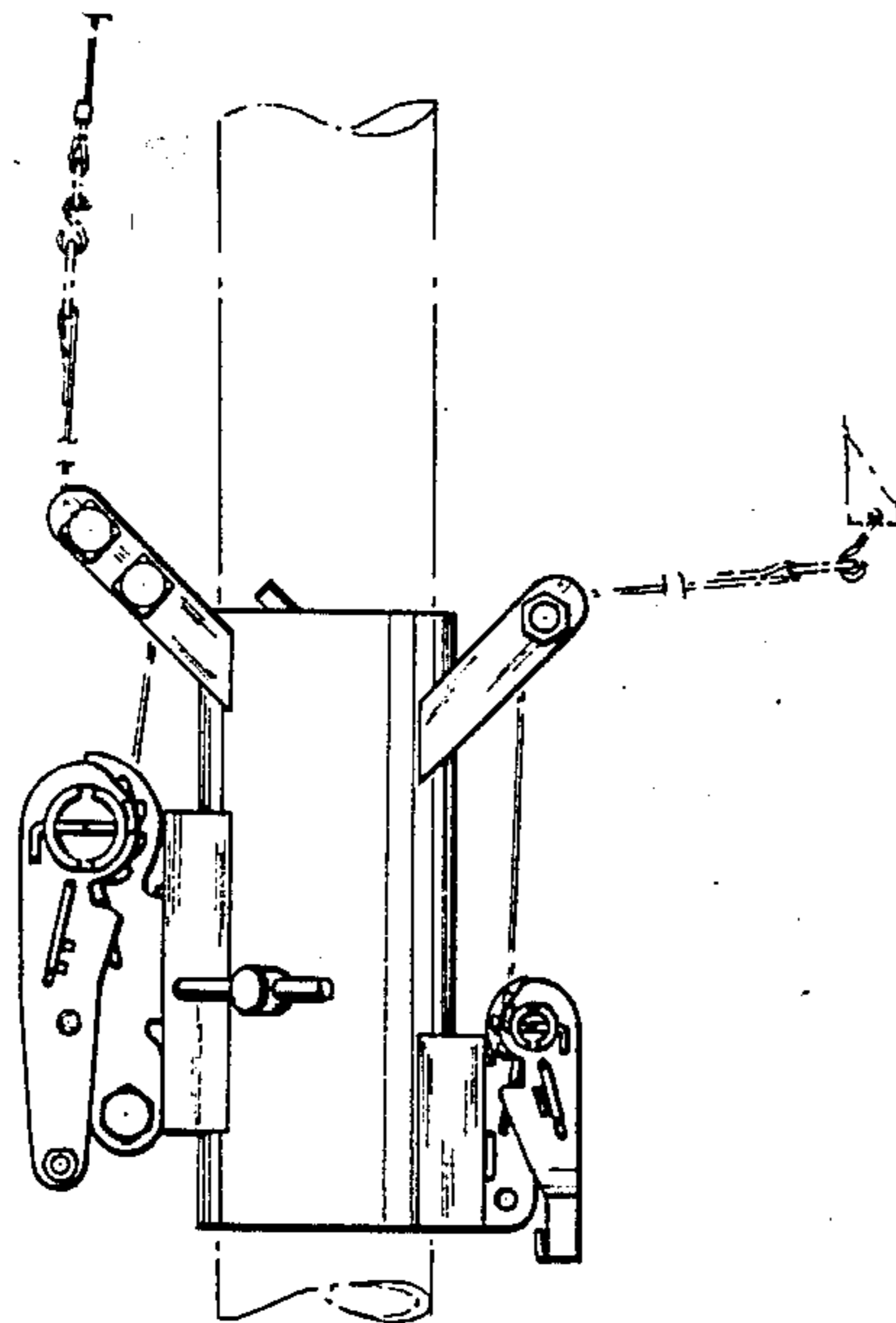
Primary Examiner—B. J. Bullock
Attorney, Agent, or Firm—Kalish & Gilster

[57] CLAIM

The ornamental design for a volleyball net tensioning device, as shown and described.

DESCRIPTION

FIG. 1 is a front elevational view of a volleyball net tensioning device showing my new design, the broken lines being for illustrative purposes only;
 FIG. 2 is a side elevational view taken from the right hand side of FIG. 1.
 FIG. 3 is a rear elevational view thereof.
 FIG. 4 is a side elevational view taken from the left hand side of FIG. 3.
 FIG. 5 is a top plan view thereof.
 FIG. 6 is a bottom plan view thereof.



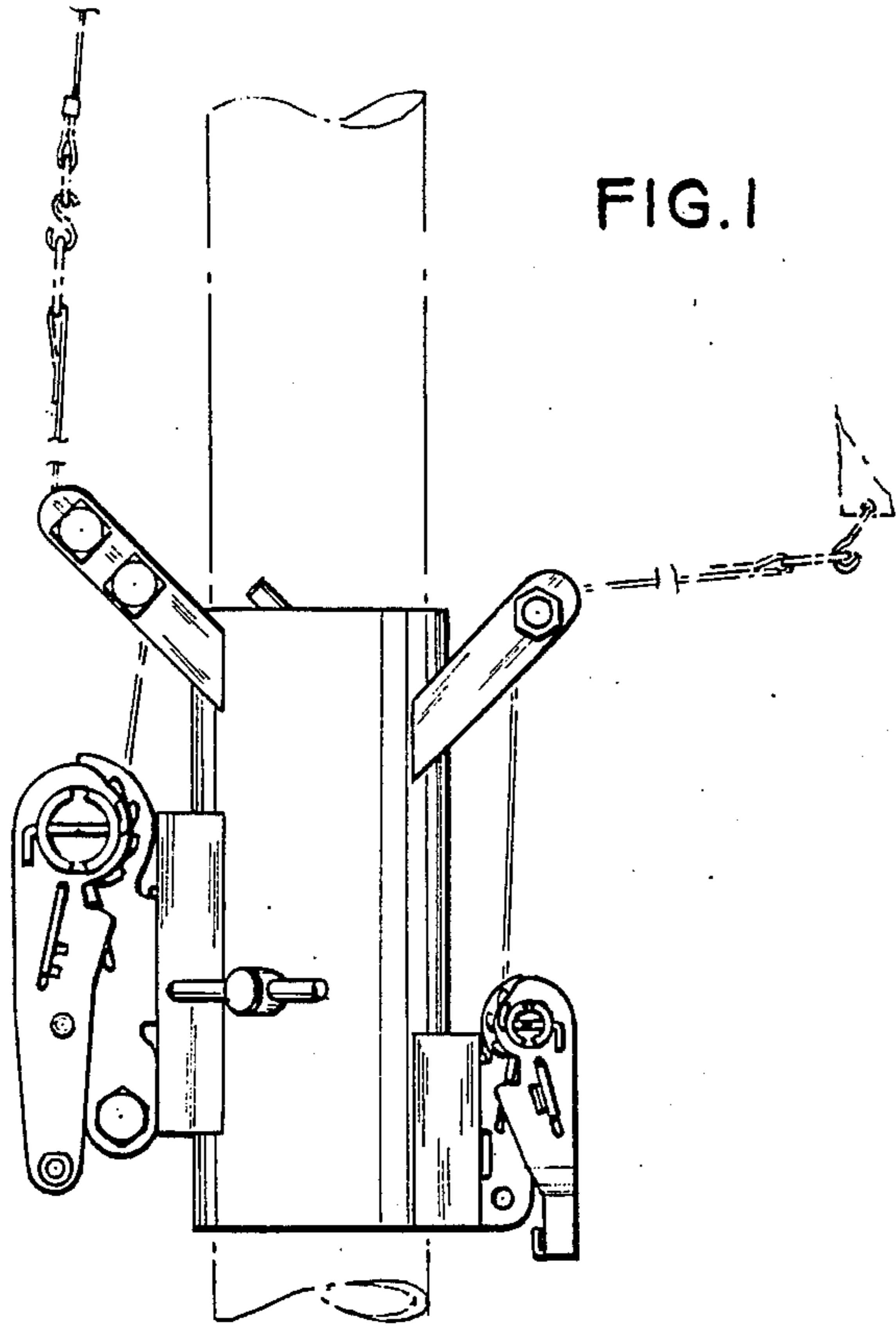


FIG. 2

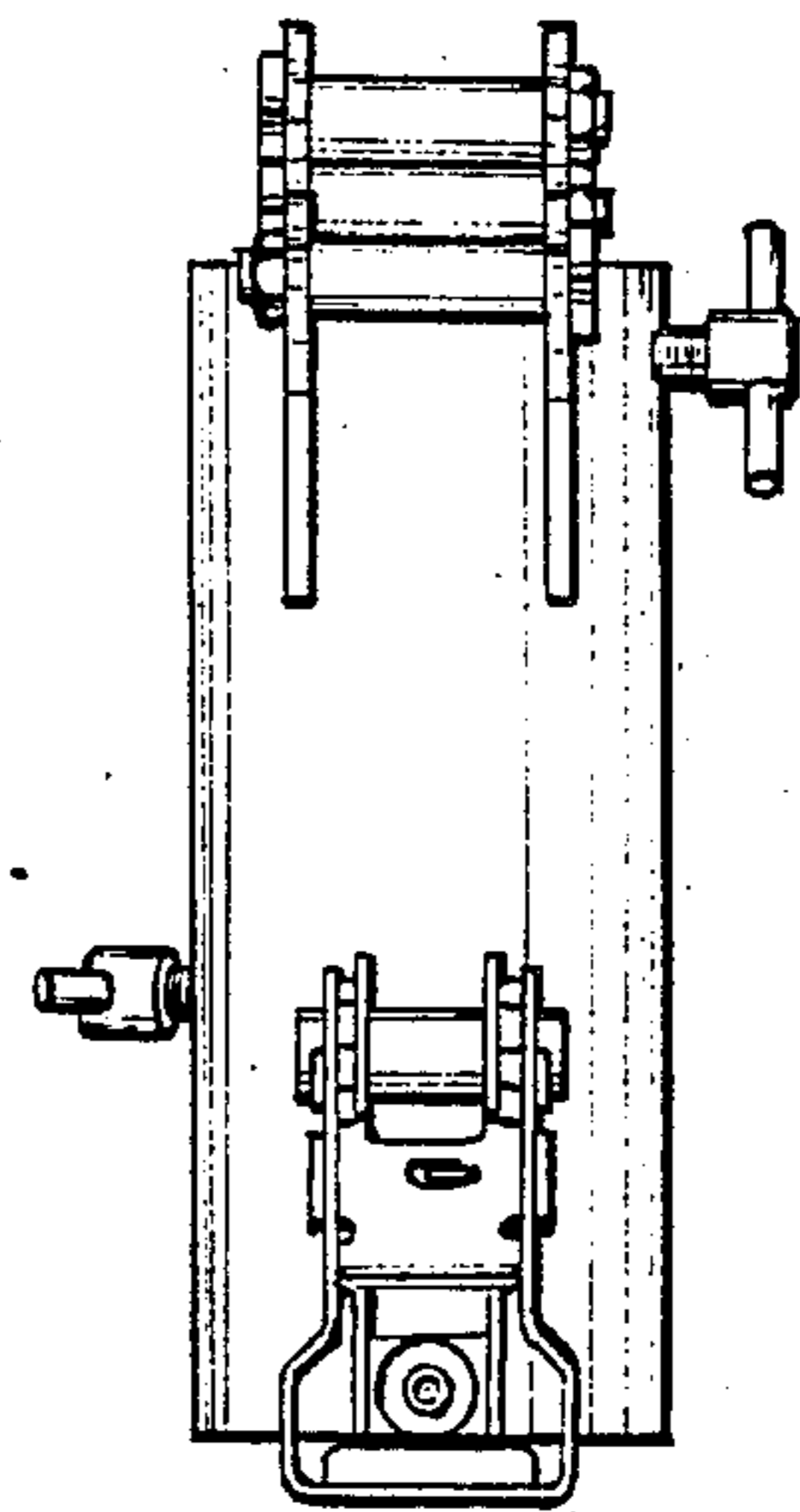


FIG. 3

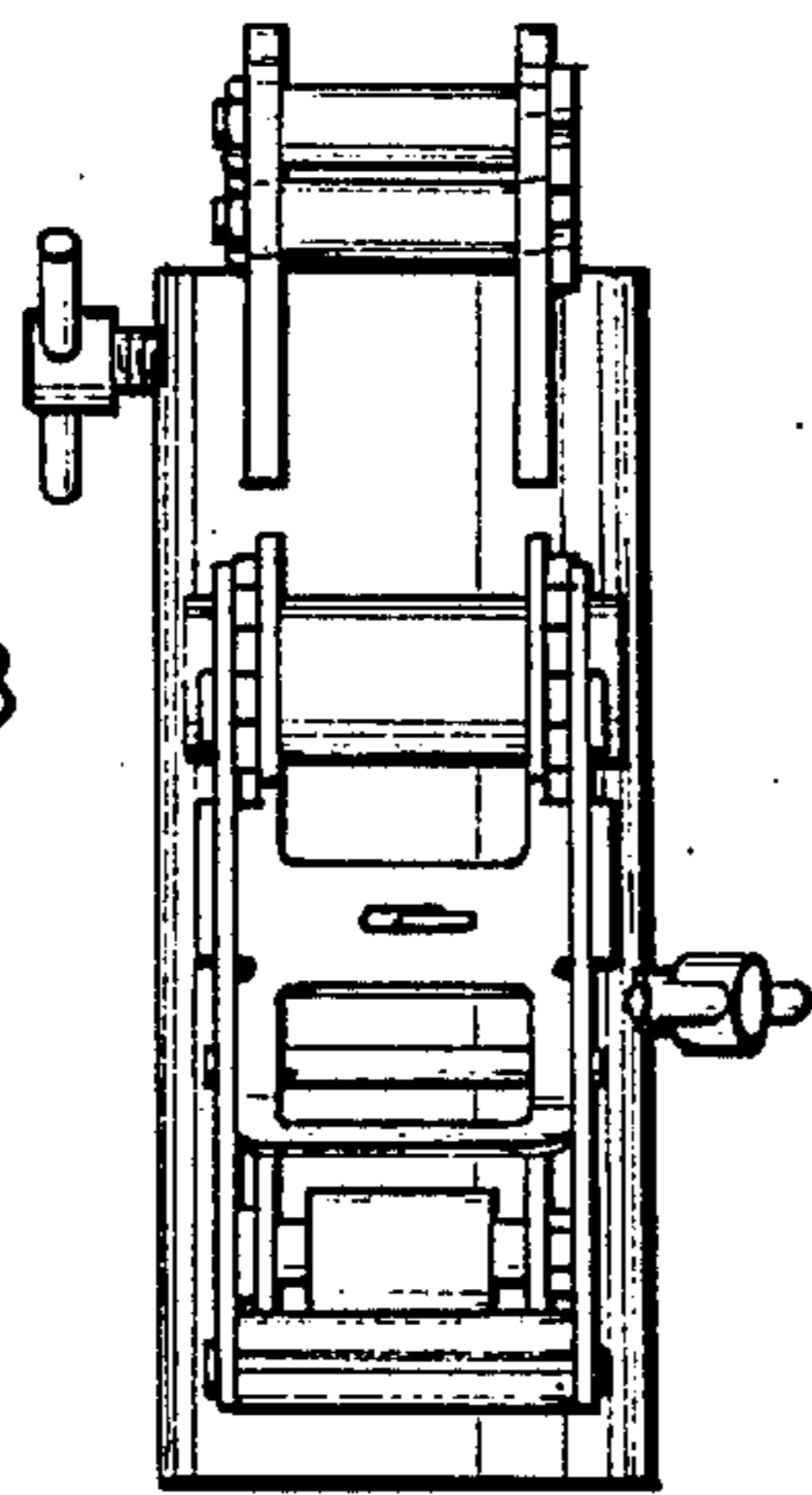


FIG. 4

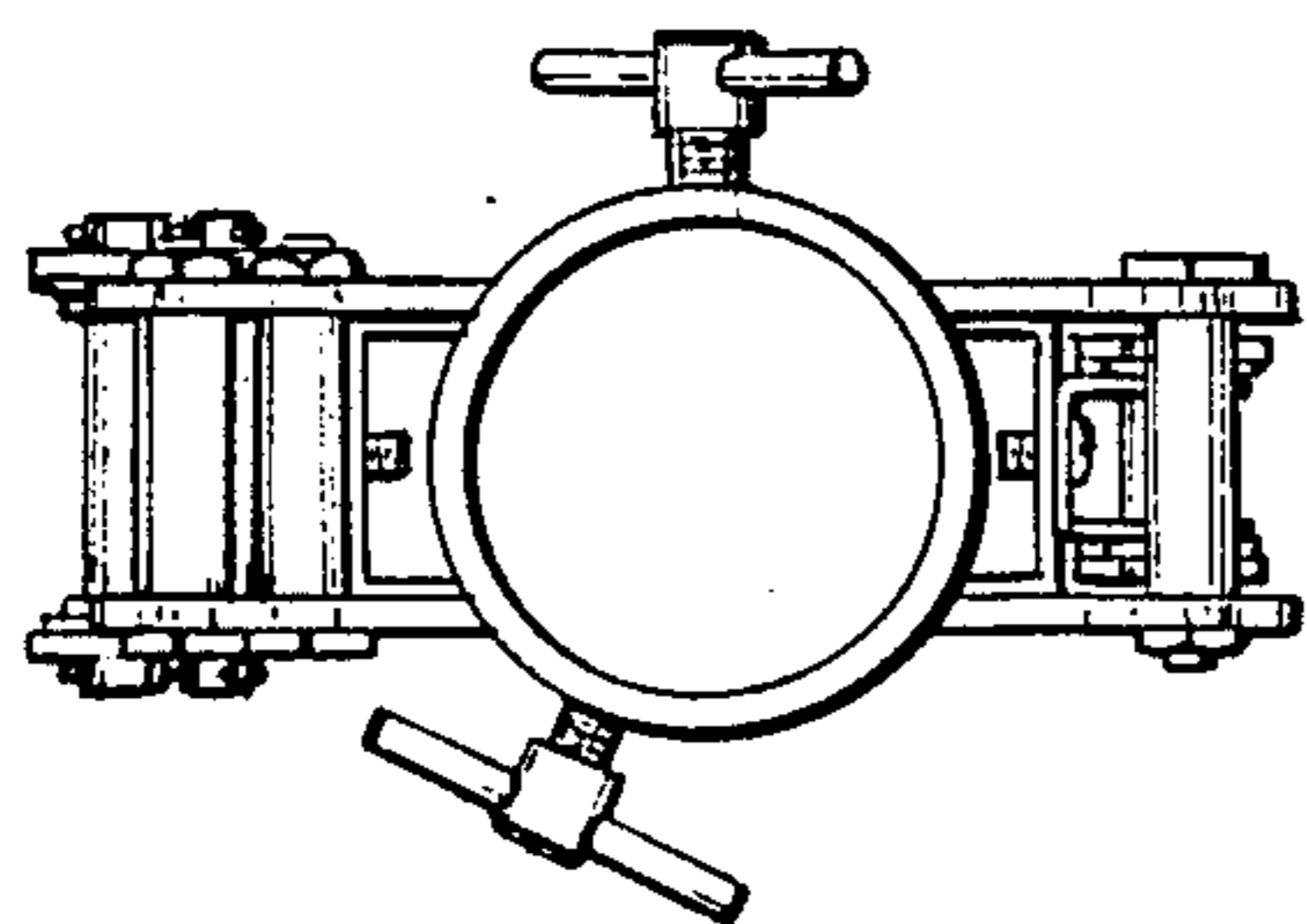
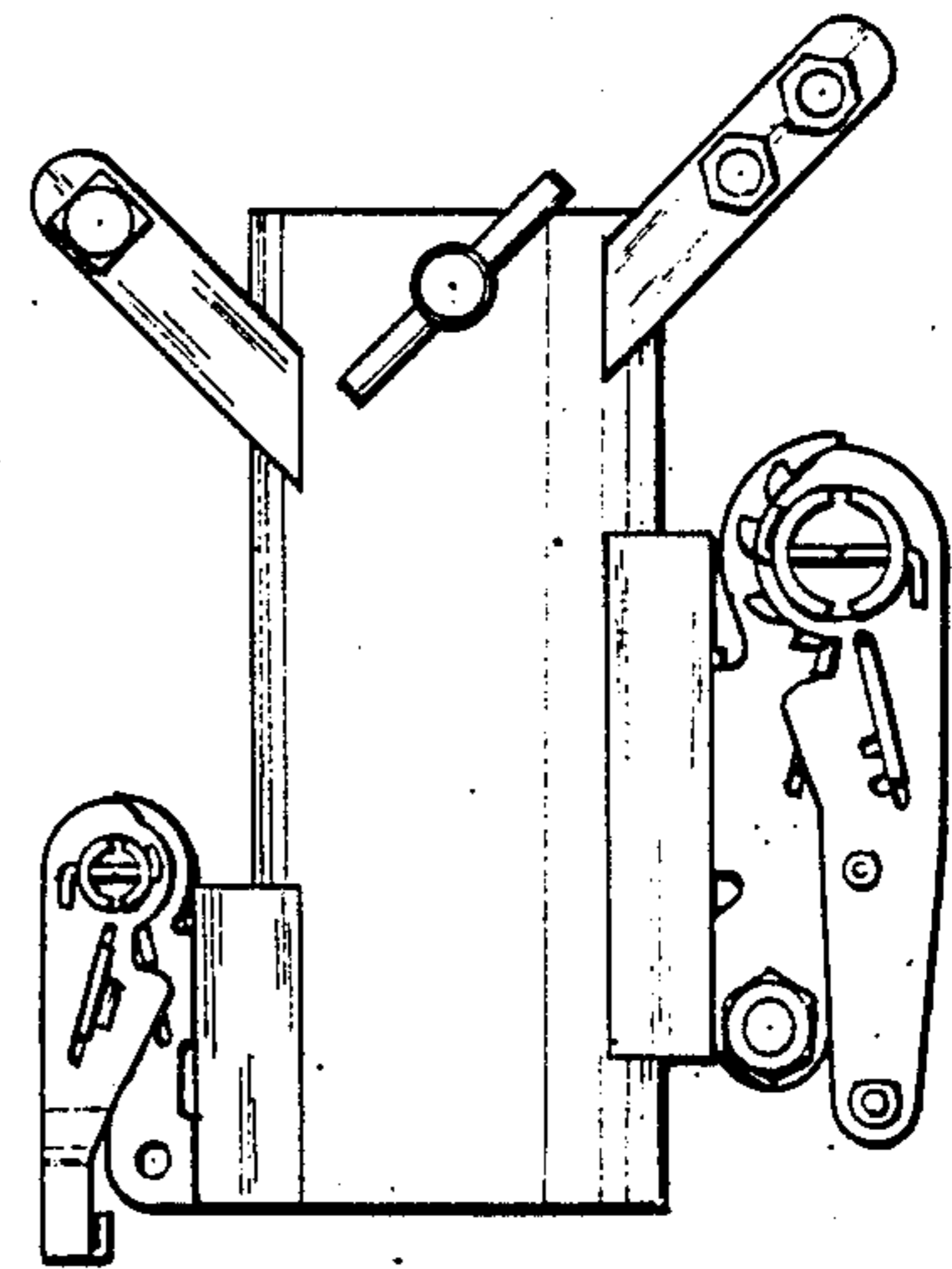


FIG. 5

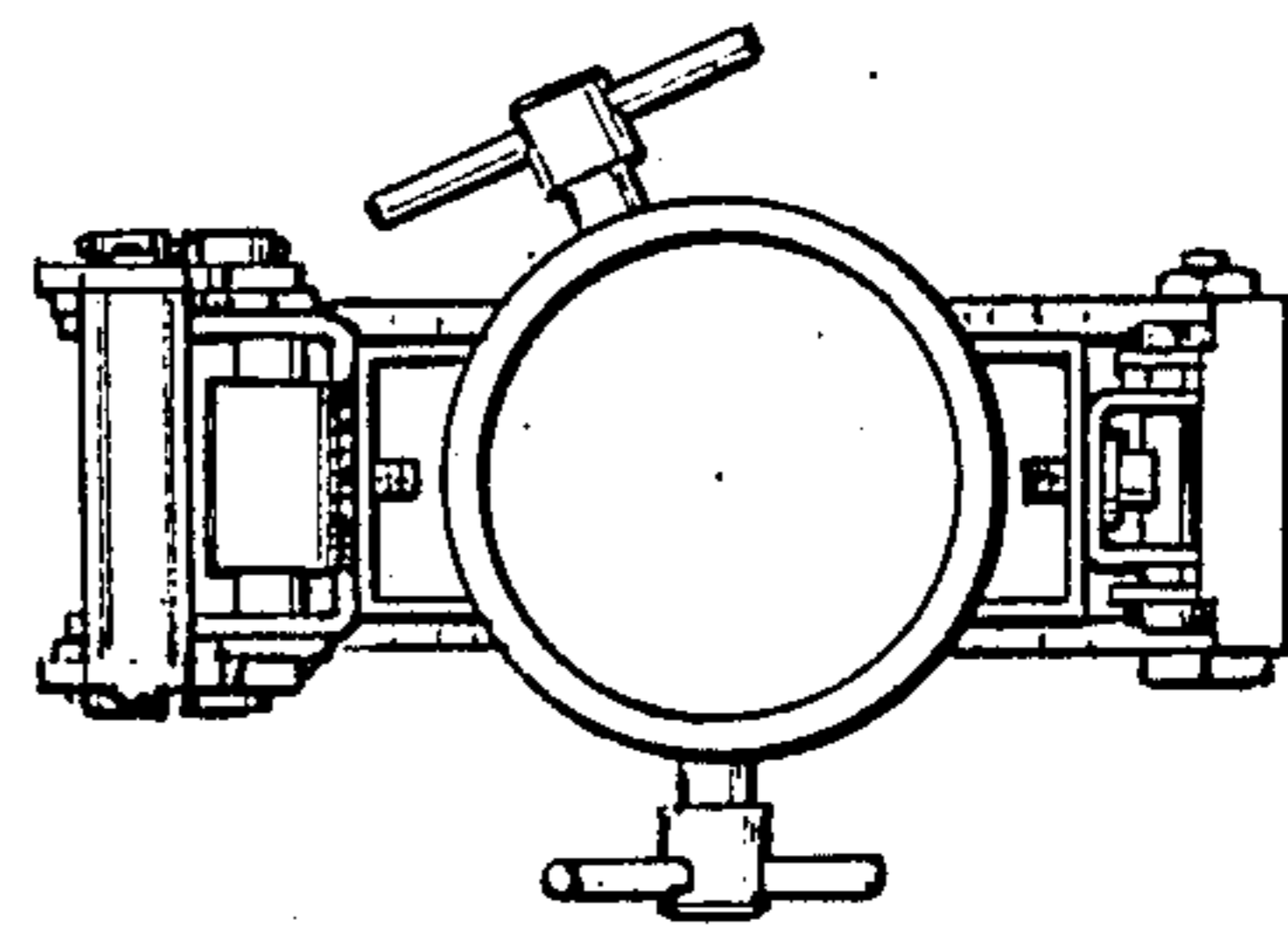


FIG. 6