

[54] **ELECTRIC RECIPROCATING SAW**

3,360,021 12/1967 Mejia D8/64 X

[75] **Inventors: Fusao Fushiya; Motoyuki Tomita,**
both of Anjo, Japan

[73] **Assignee: Makita Electric Works, Ltd., Anjo,**
Japan

[**] **Term: 14 Years**

[21] **Appl. No.: 79,793**

[22] **Filed: Jul. 30, 1987**

[30] **Foreign Application Priority Data**

Feb. 3, 1987 [JP] Japan 62-3858

[52] **U.S. Cl. D8/64; D7/646**

[58] **Field of Search D8/61, 64, 68; 30/377,**
30/392, 393; D7/139

[56] **References Cited**

U.S. PATENT DOCUMENTS

D. 214,987 8/1969 Ballone et al. D8/64

D. 298,601 11/1988 Tsuji D7/139

OTHER PUBLICATIONS

Product Flyer for JR3000V Reciprocating Saw, 1983,
Makita.

Primary Examiner—Winifred E. Herrmann

Assistant Examiner—John Warchol

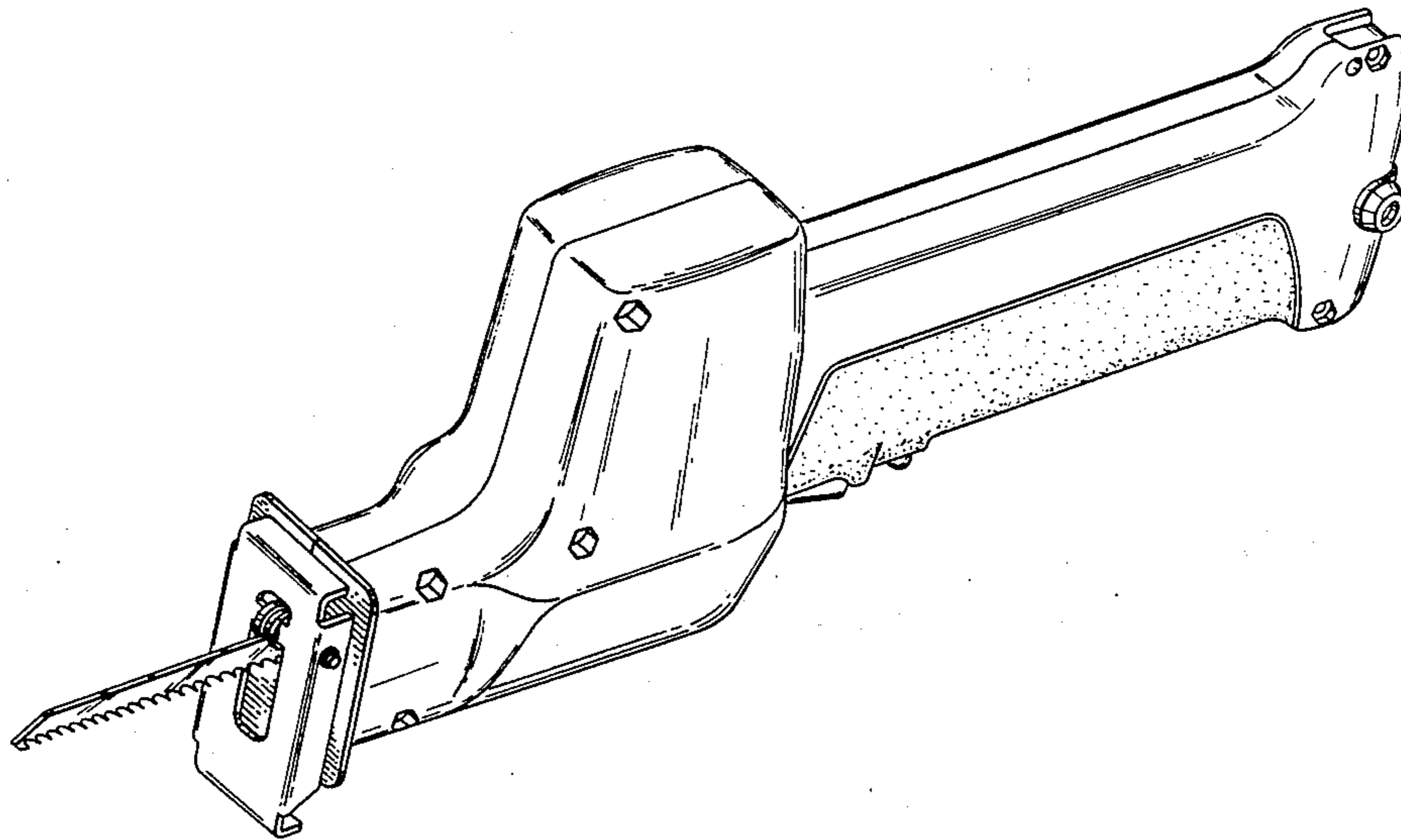
Attorney, Agent, or Firm—Lahive & Cockfield

[57] **CLAIM**

The ornamental design for an electric reciprocating
saw, as shown.

DESCRIPTION

FIG. 1 is a top, front, and right side perspective view of
an electric reciprocating saw showing the new design;
FIG. 2 is a right side elevational view thereof.
FIG. 3 is a left side elevational view thereof.
FIG. 4 is a top plan view thereof.
FIG. 5 is a bottom plan view thereof.
FIG. 6 is a front elevational view thereof.
FIG. 7 is a rear elevational view thereof.



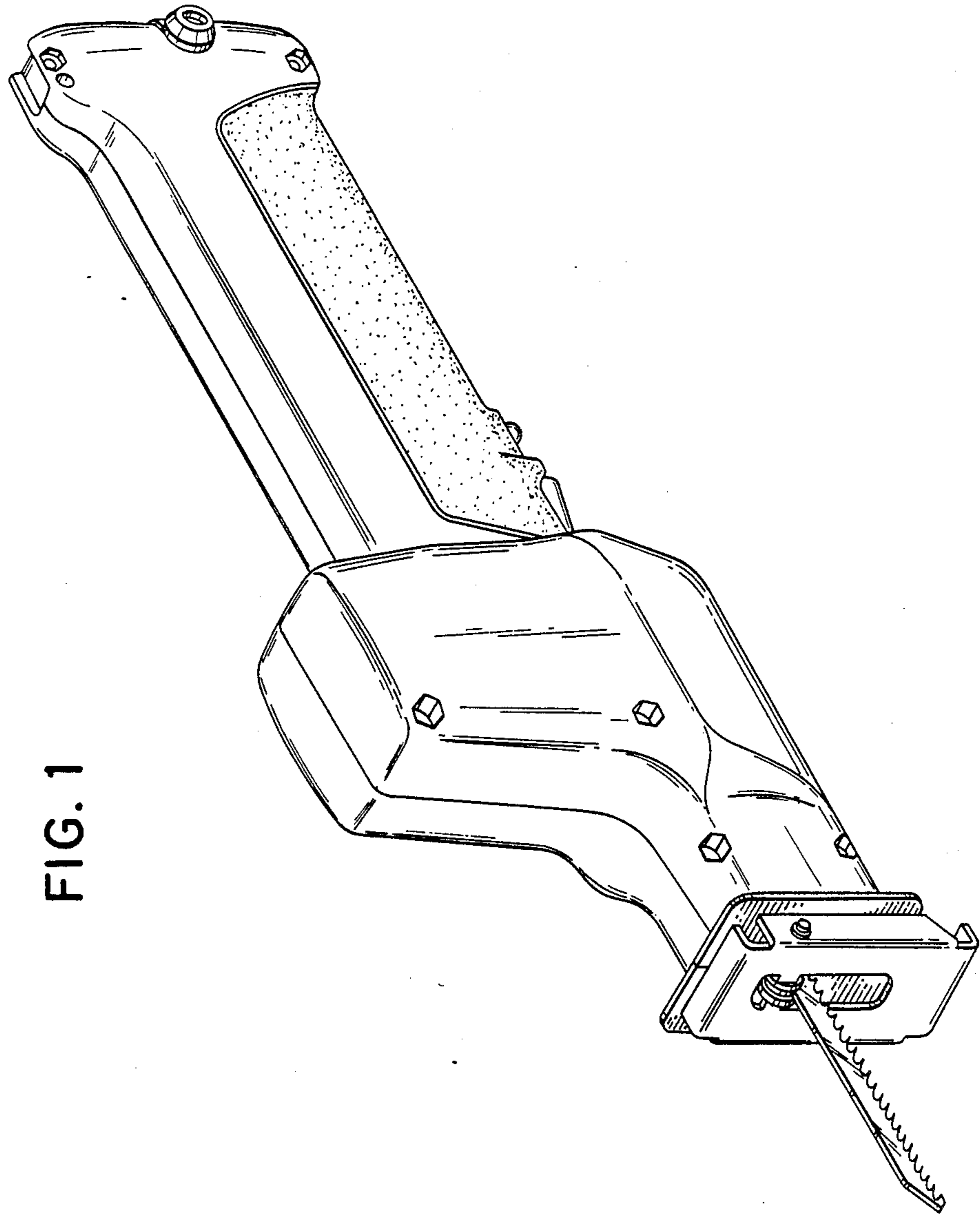


FIG. 1

FIG. 2

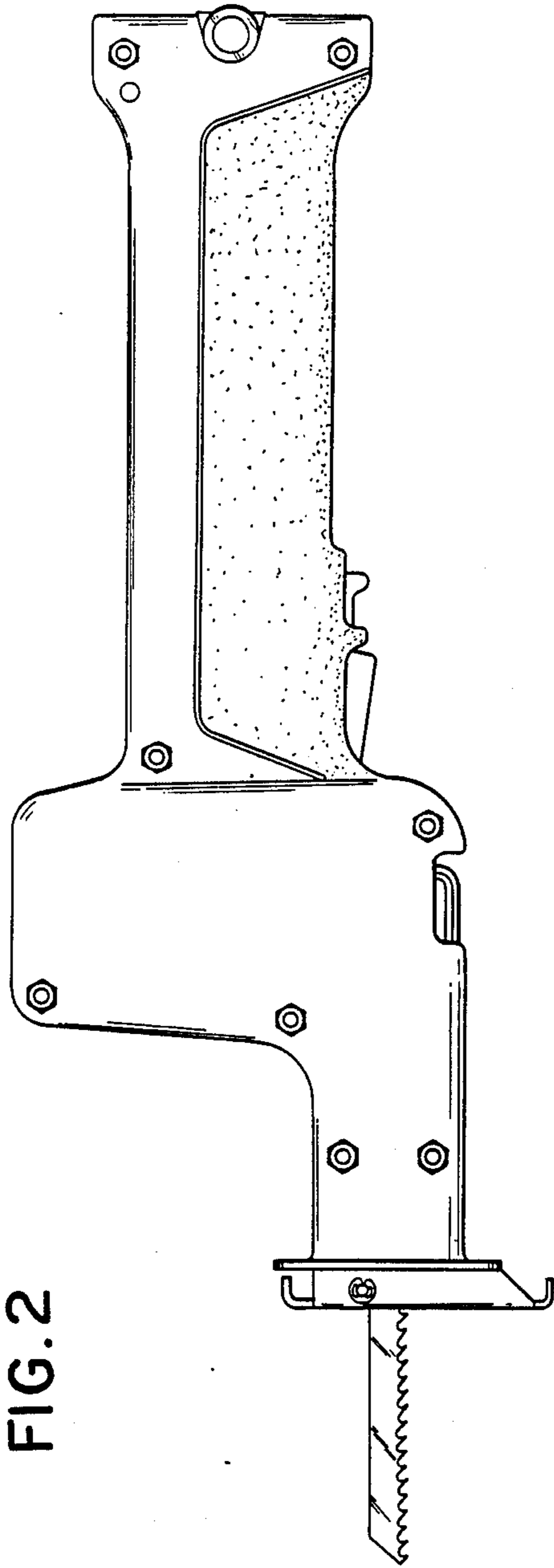


FIG. 3

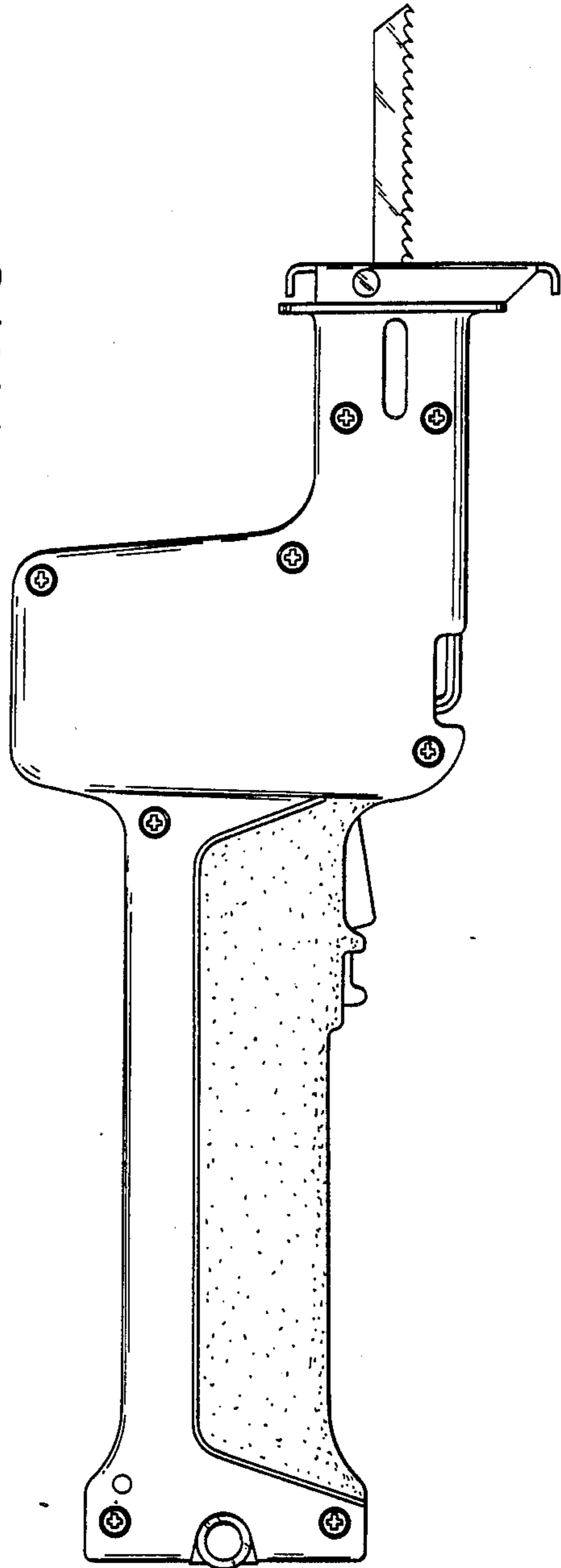


FIG. 4

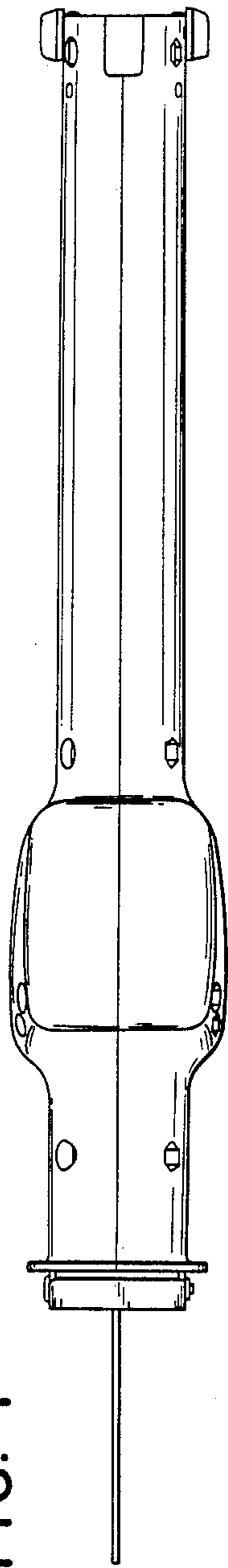


FIG. 5

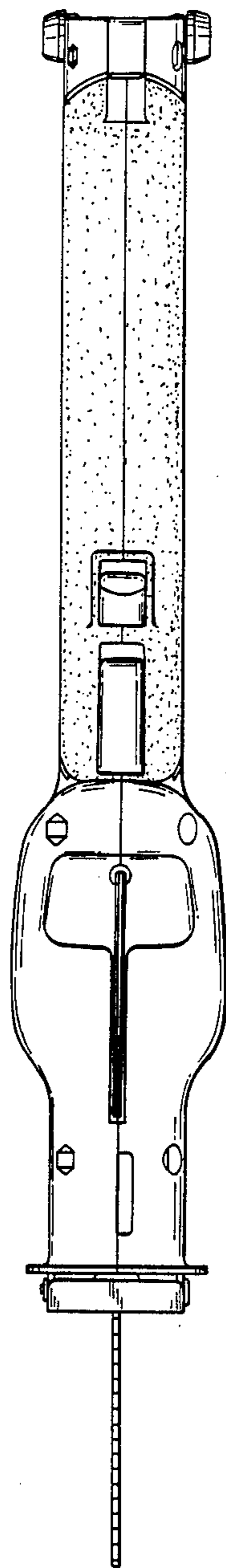


FIG. 6

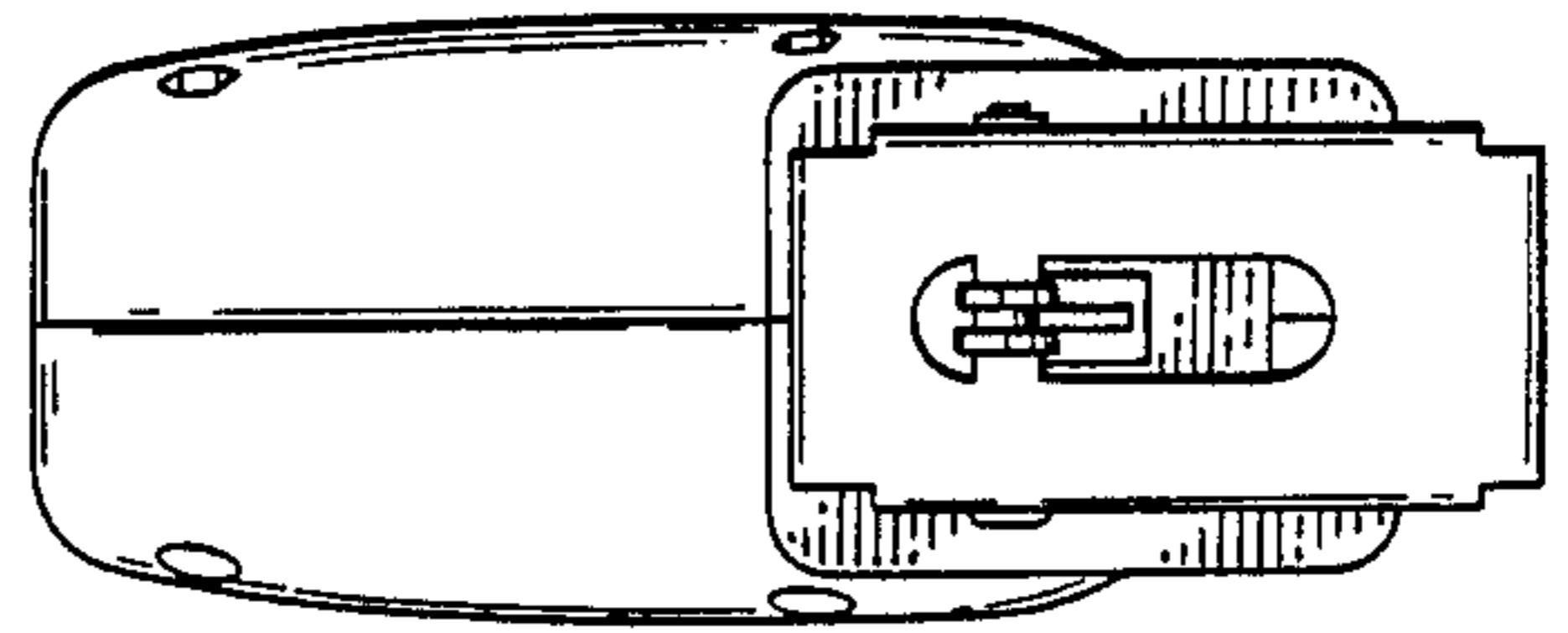


FIG. 7

