

[54] HANGER ATTACHMENT FOR A PICTURE OR SIMILAR ARTICLE

[76] Inventor: Ronald B. Fenton, 722 Visteria Ave., E4, Mount Lebanon, Pa. 15228

[**] Term: 14 Years

[21] Appl. No.: 892,399

[22] Filed: Aug. 4, 1986

[52] U.S. Cl. D8/373; D8/367

[58] Field of Search D8/367, 373; 248/497, 248/498, 489

[56] References Cited

U.S. PATENT DOCUMENTS

D. 167,831	9/1952	Graber et al.	D8/367
D. 207,423	4/1967	Pick	D8/367
D. 242,115	11/1976	Breger	D8/367
D. 251,966	5/1979	Wallace	D8/367
D. 259,699	6/1981	Hughes	D8/367
4,003,539	1/1977	Gutner	248/489

FOREIGN PATENT DOCUMENTS

24062 of 1907 United Kingdom 248/491

Primary Examiner—Horace B. Fay, Jr.

Attorney, Agent, or Firm—John H. Crowe

[57] CLAIM

The ornamental design for a hanger attachment for a picture, or similar article, as shown and described.

DESCRIPTION

FIG. 1 is a front elevational view of a hanger attachment for a picture or similar article, showing my new design;

FIG. 2 is a right side elevational view thereof, the left side elevational view being a mirror image;

FIG. 3 is a rear elevational view thereof;

FIGS. 4 and 5 are respectively top and bottom plan views thereof;

FIG. 6 is a perspective view from below and to one side of the FIG. 1 view; and

FIG. 7 is a perspective view from above and to one side of the FIG. 3 view.

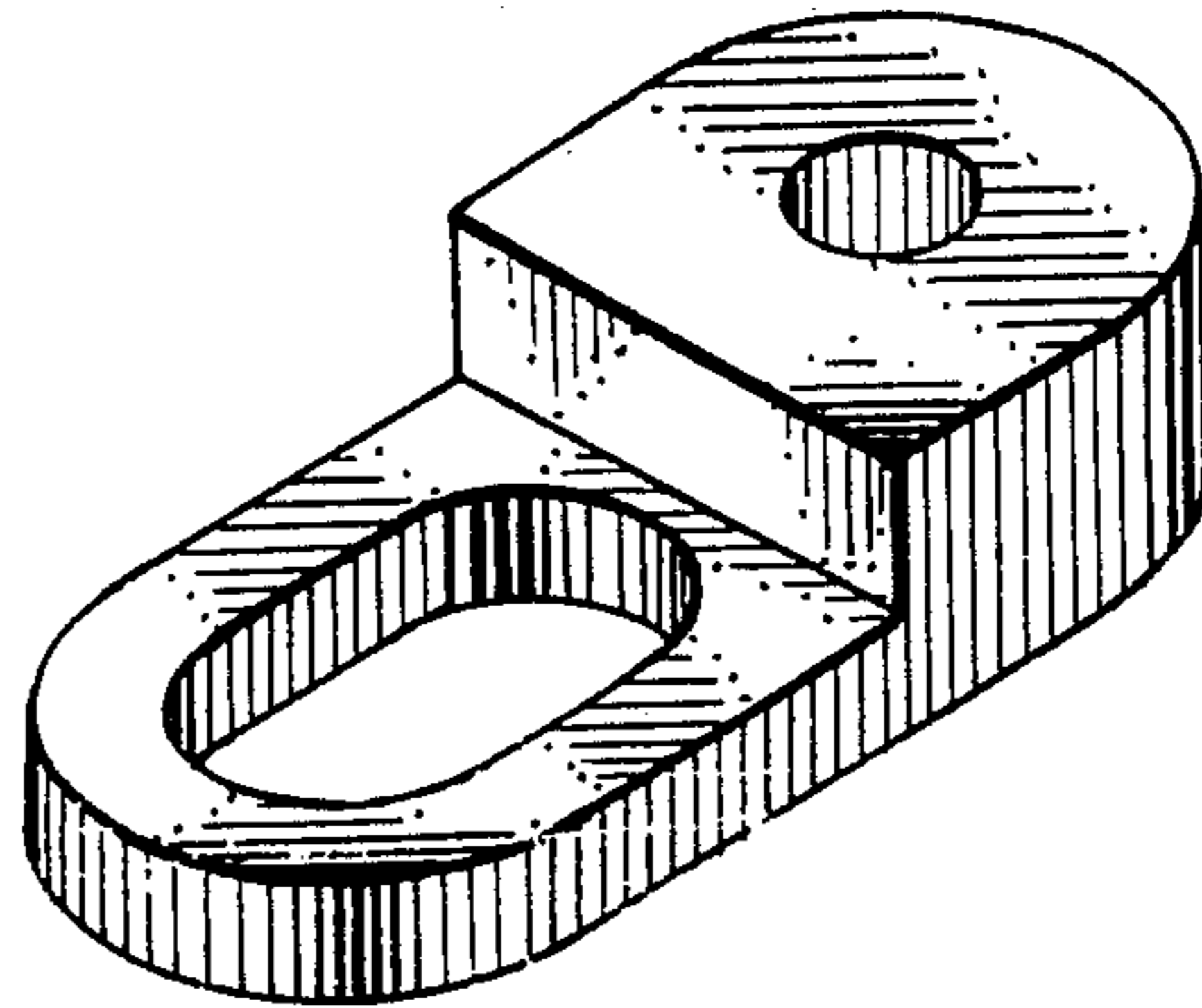
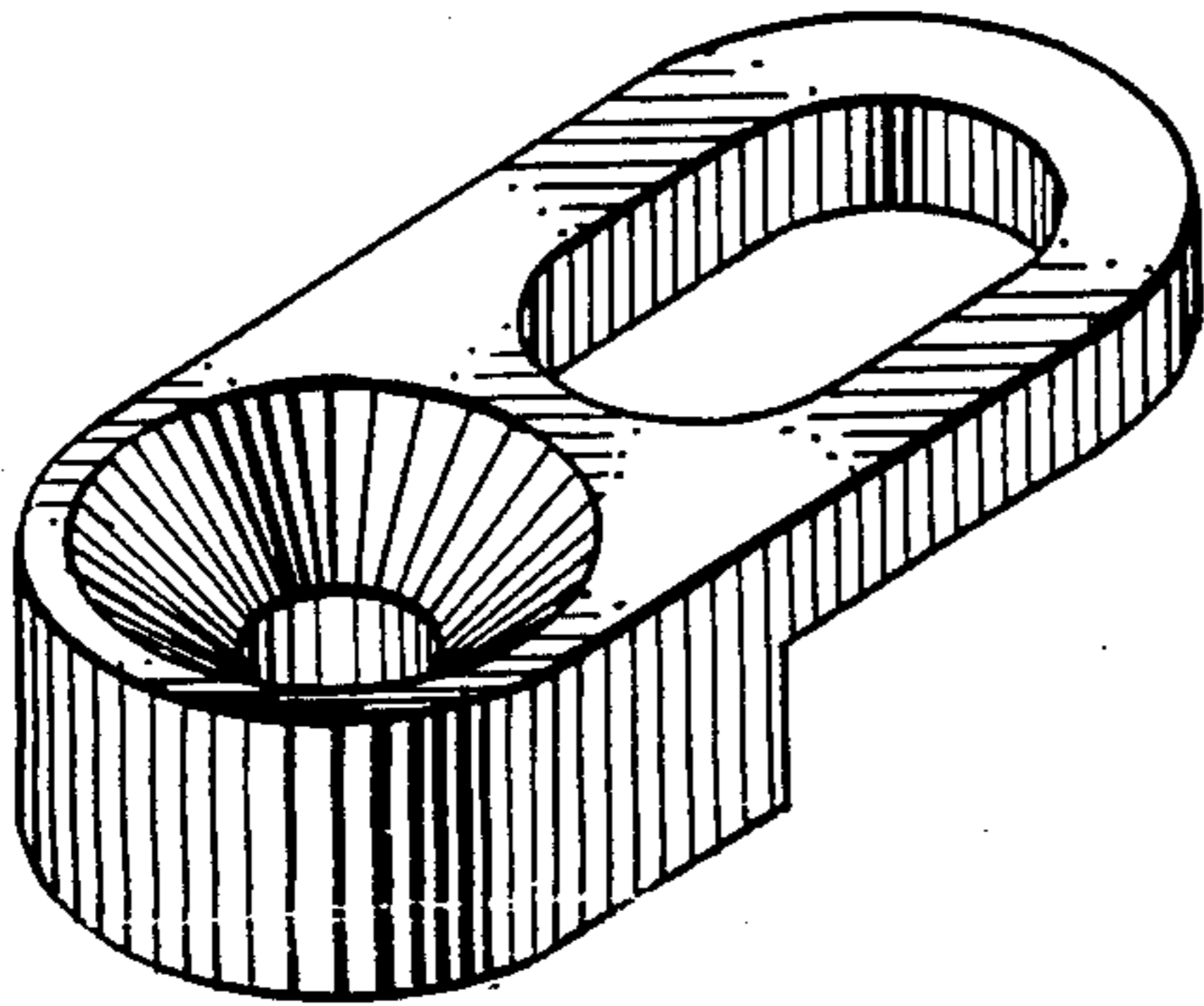


FIG. 1.

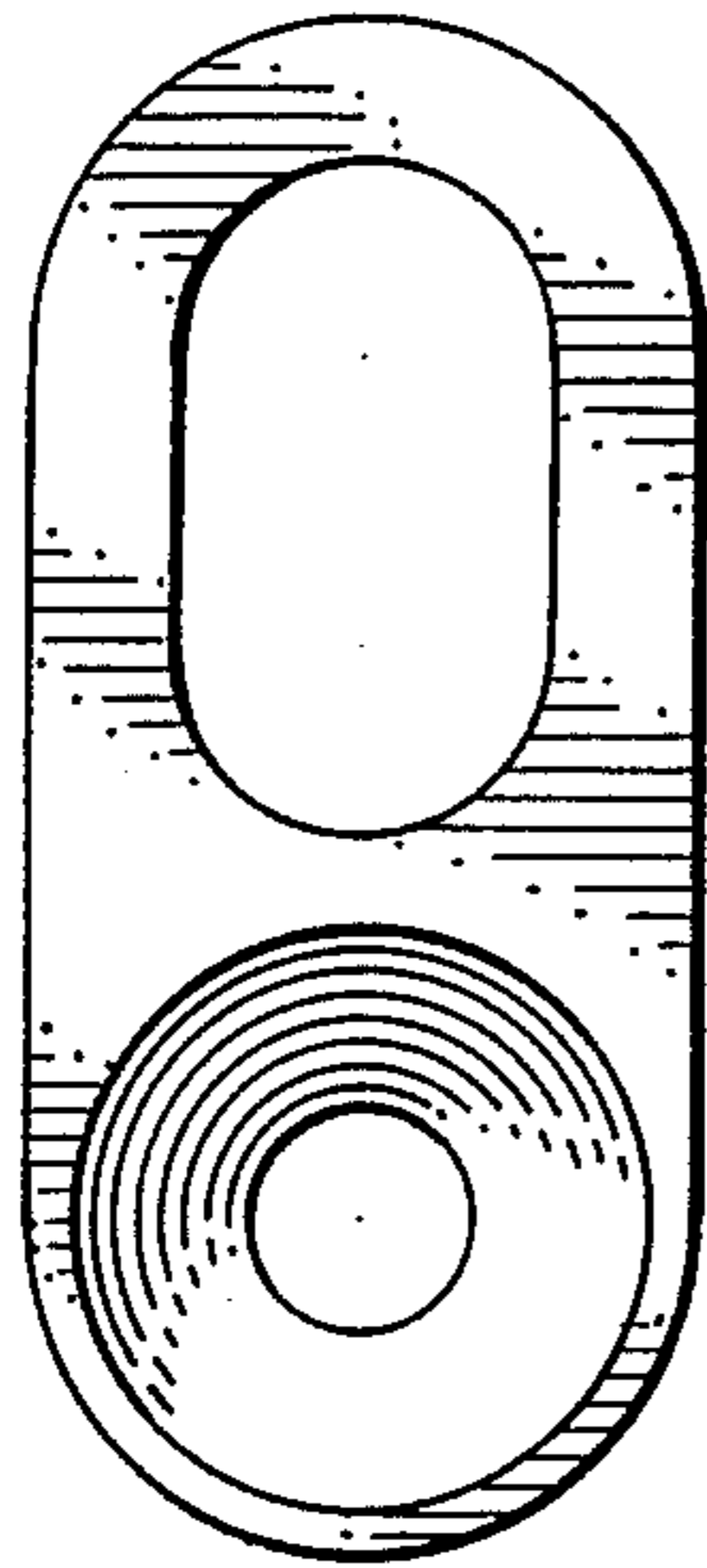


FIG. 2.

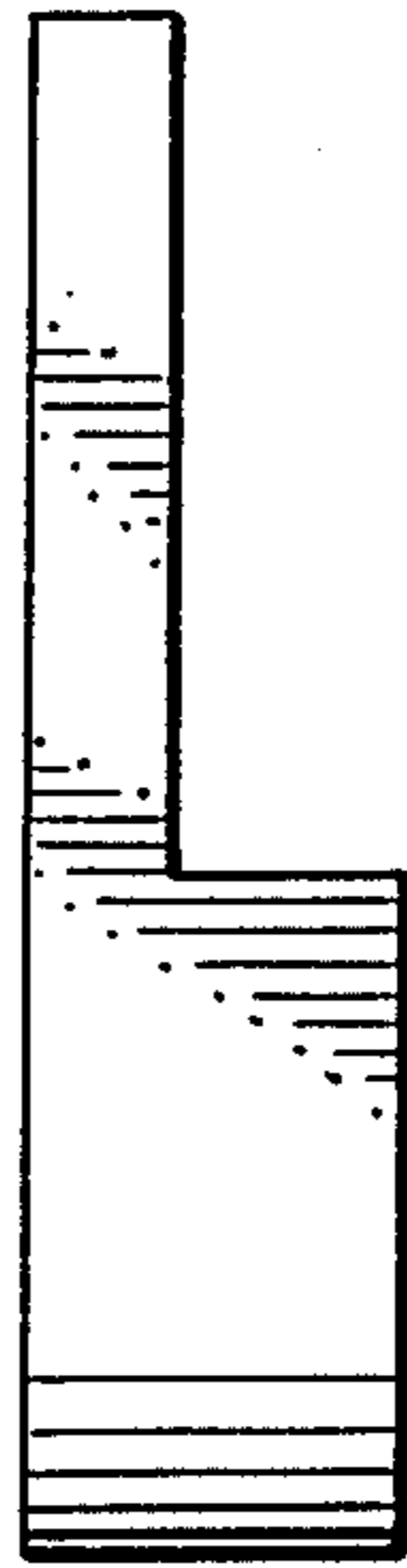


FIG. 3.

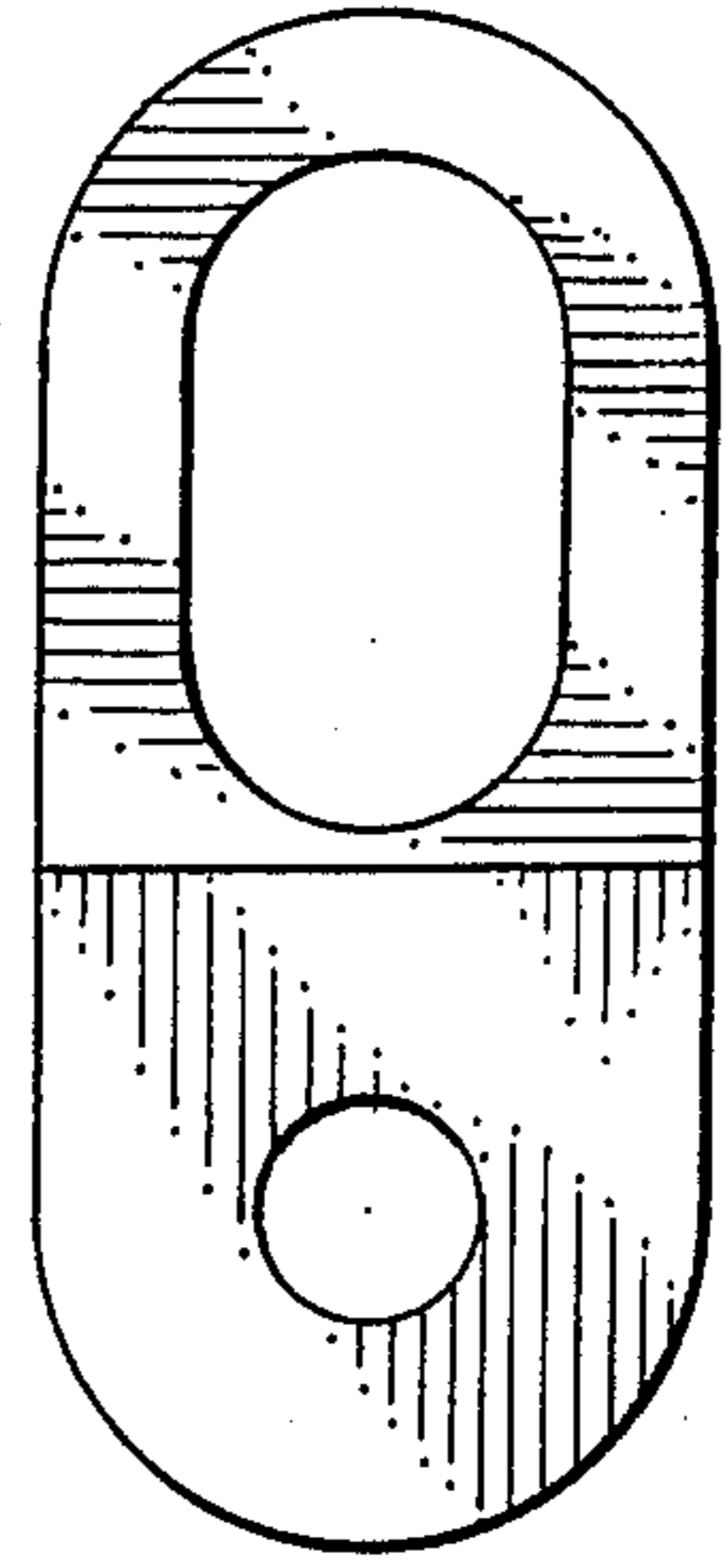


FIG. 4.

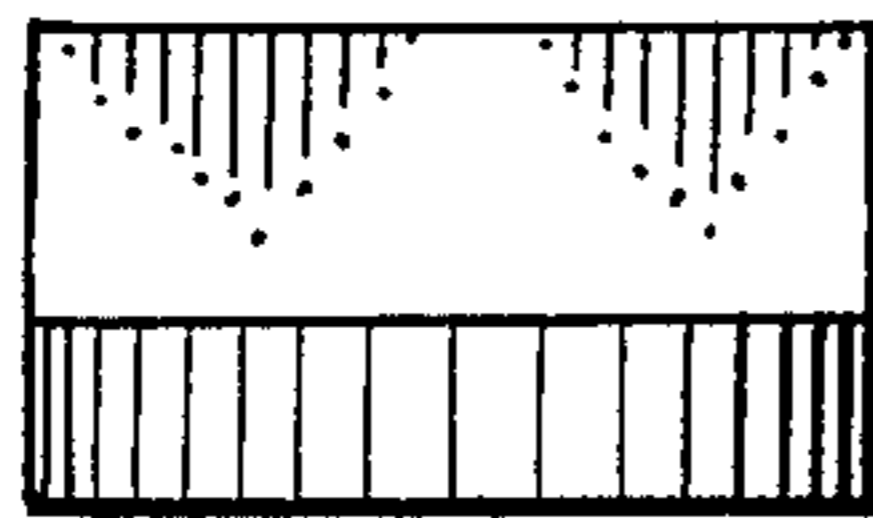


FIG. 5.



FIG. 6.

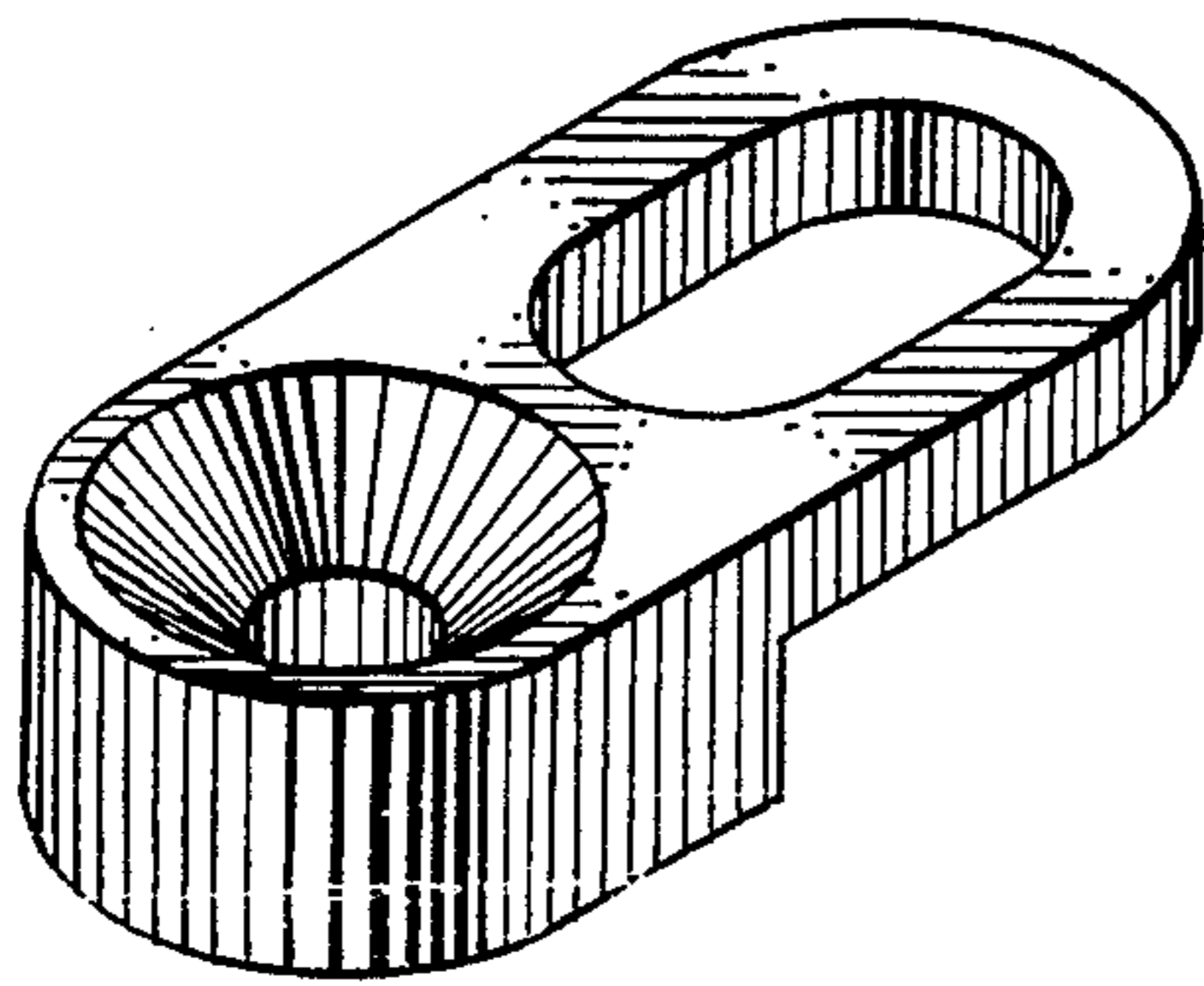


FIG. 7.

