

[54] **COMBINATION TOOL**

[75] **Inventor: Tsutomu Komatsu, Tokyo, Japan**

[73] **Assignee: Plus Corporation, Tokyo, Japan**

[**] **Term: 14 Years**

[21] **Appl. No.: 84,509**

[22] **Filed: Aug. 12, 1987**

[52] **U.S. Cl. D8/105; D8/99**

[58] **Field of Search D8/14, 99, 105, 107; 7/118, 119, 160, 163, 164, 158; 30/154, 162**

[56] **References Cited**

U.S. PATENT DOCUMENTS

D. 302,102	7/1989	Amagaya	D8/105
1,187,842	6/1916	Kaas	7/154
2,003,416	6/1935	Anderson	7/118
2,503,380	4/1950	Derby	7/118
4,539,749	9/1985	Hyeong-Woon	7/118
4,783,867	11/1988	Tsao	7/119
4,791,725	12/1988	Amagaya	D8/105 X
4,794,692	1/1989	Wang	7/163

OTHER PUBLICATIONS

Hoffritz Holiday 1988 Catalog, pp. 2+14/Items 14C, and 2D.

Primary Examiner—Bruce W. Dunkins
Assistant Examiner—Clare E. Heflin
Attorney, Agent, or Firm—Darby & Darby

[57] **CLAIM**

The ornamental design for a combination tool, as shown and described.

DESCRIPTION

FIG. 1 is a front elevational view of a combination tool, showing my new design;
FIG. 2 is a rear elevational view thereof;
FIG. 3 is a top plan view thereof;
FIG. 4 is a bottom plan view thereof;
FIG. 5 is a right side elevational view thereof;
FIG. 6 is a left side elevational view thereof;
FIG. 7 is a front elevational view thereof showing the scissors and tape measure extended;
FIG. 8 is a rear elevational view thereof showing the cutting blades extended;
FIG. 9 is a front, right side perspective view thereof;
FIG. 10 is a rear, left side perspective view thereof; and
FIG. 11 is a front, right side perspective view thereof showing the scissors and tape measure extended.

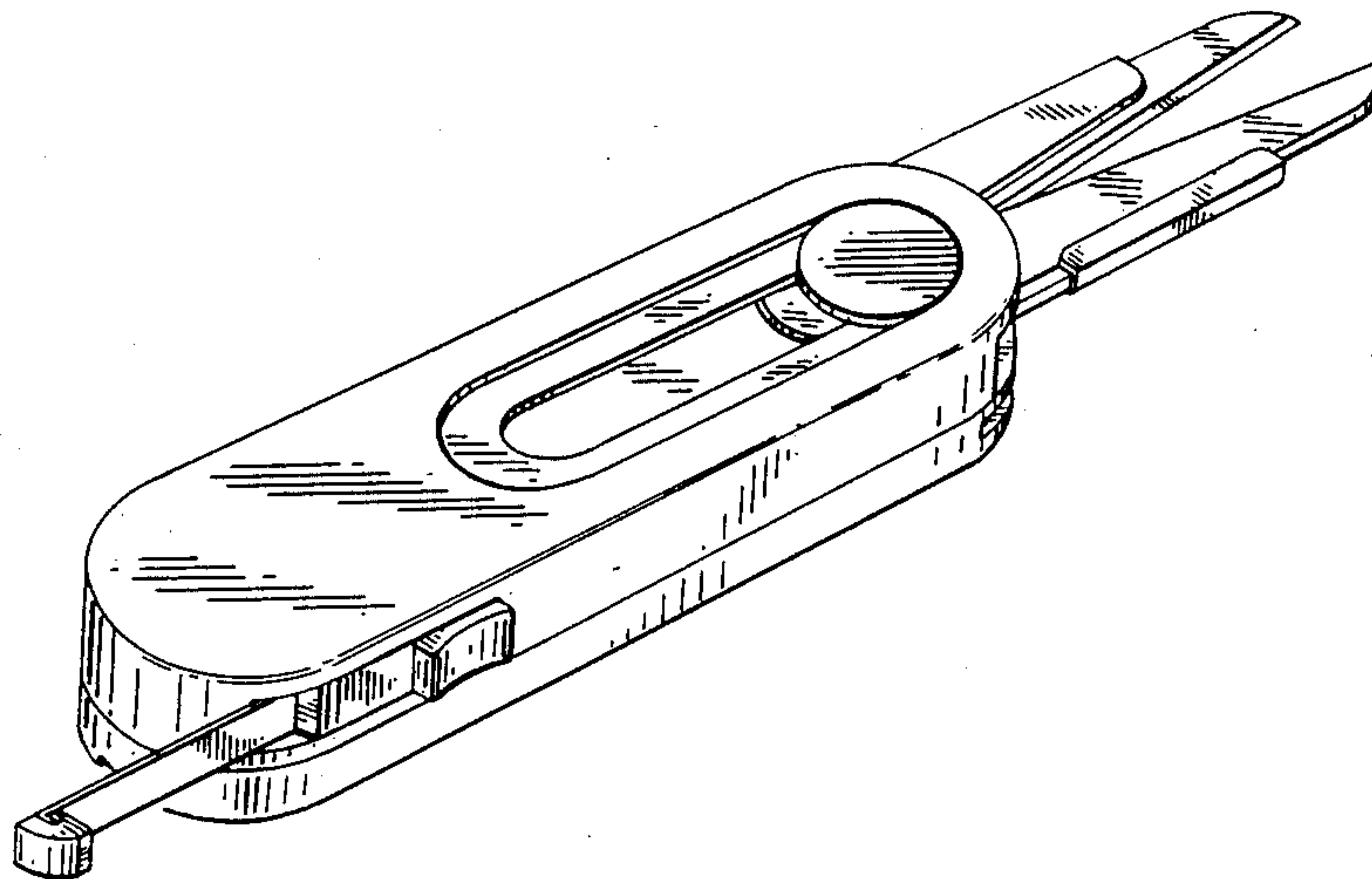


FIG. 3.

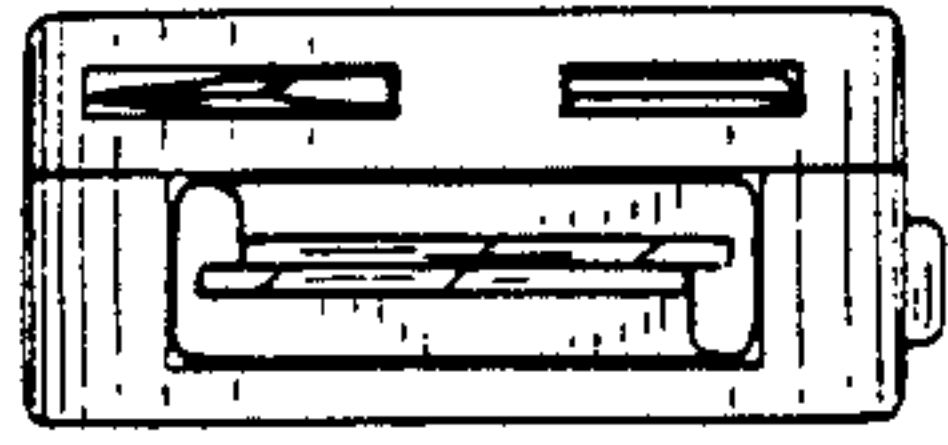


FIG. 1. FIG. 5. FIG. 2.

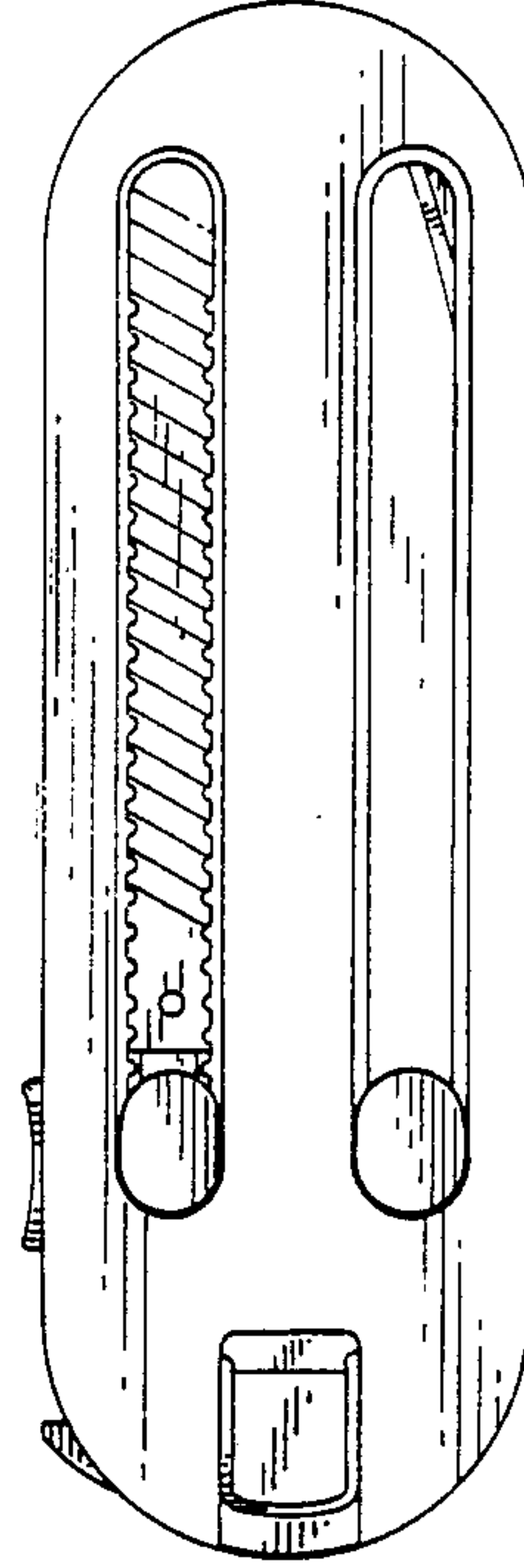
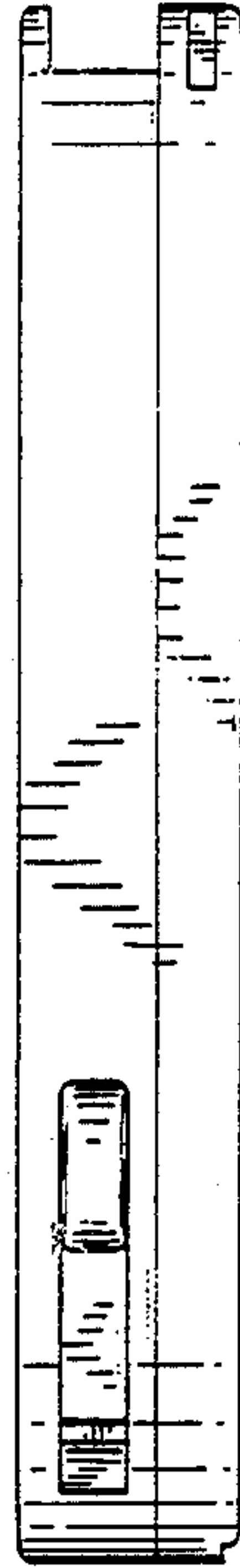
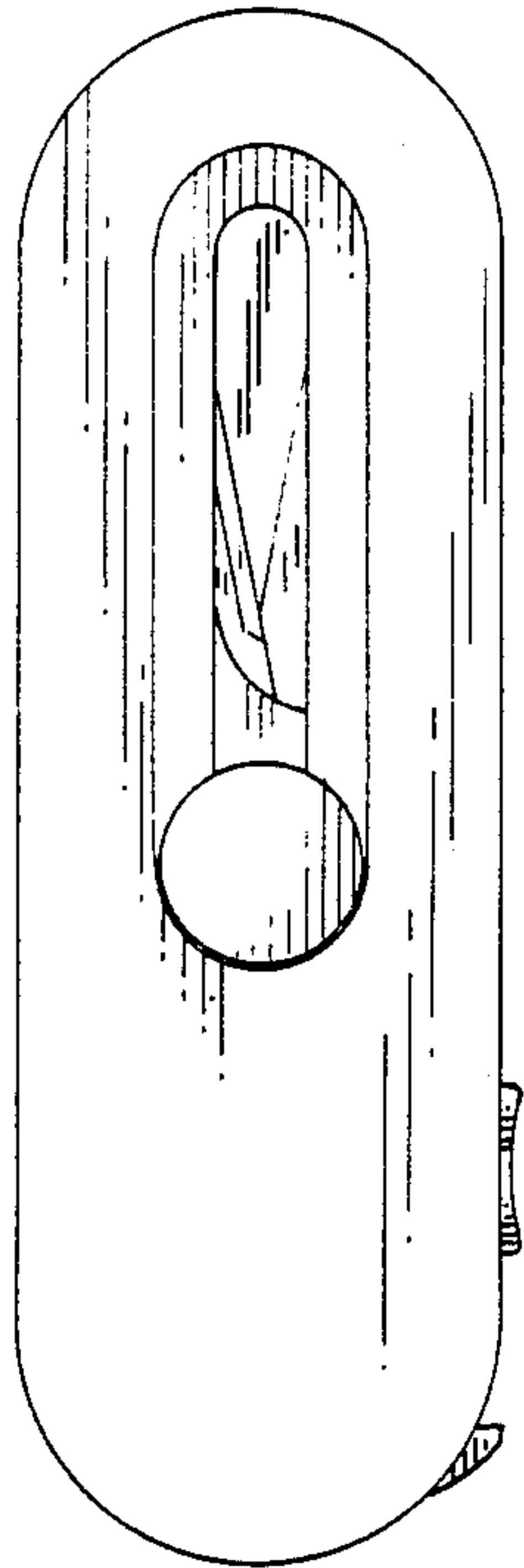


FIG. 4.

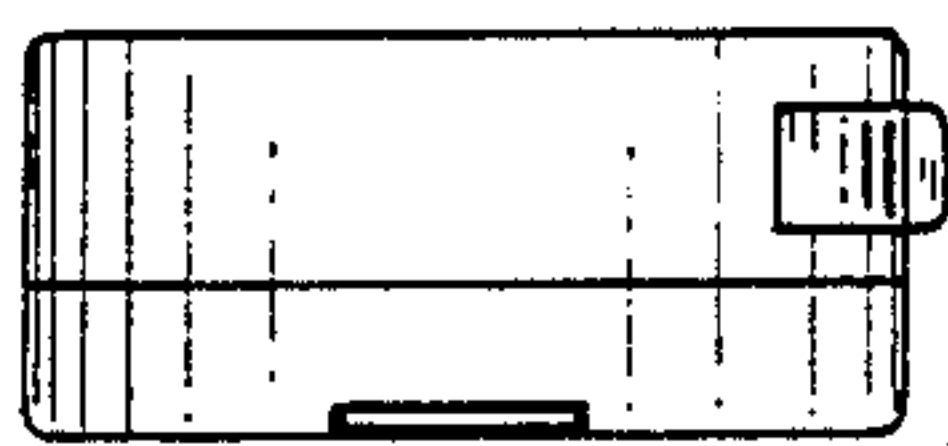


FIG. 8.

FIG. 7.

FIG. 6.

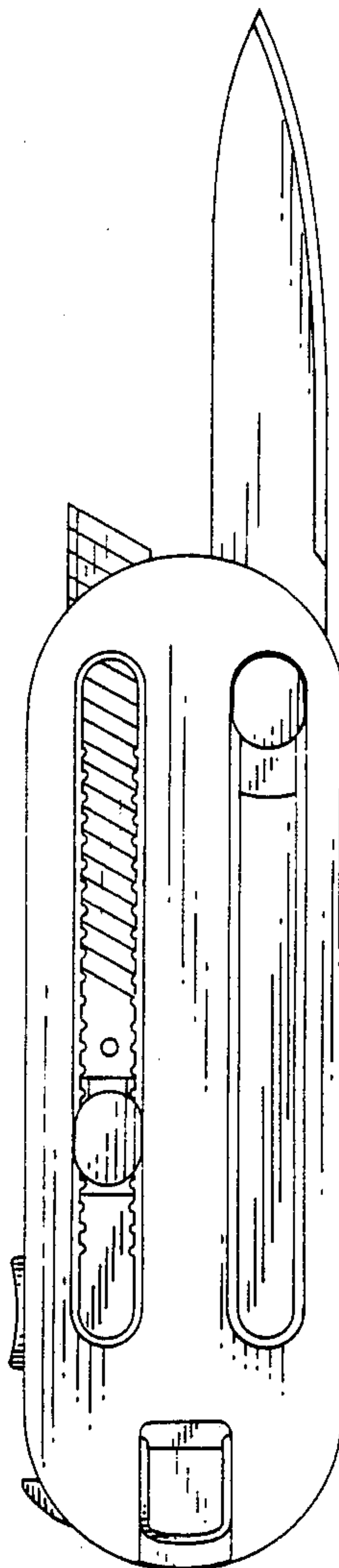
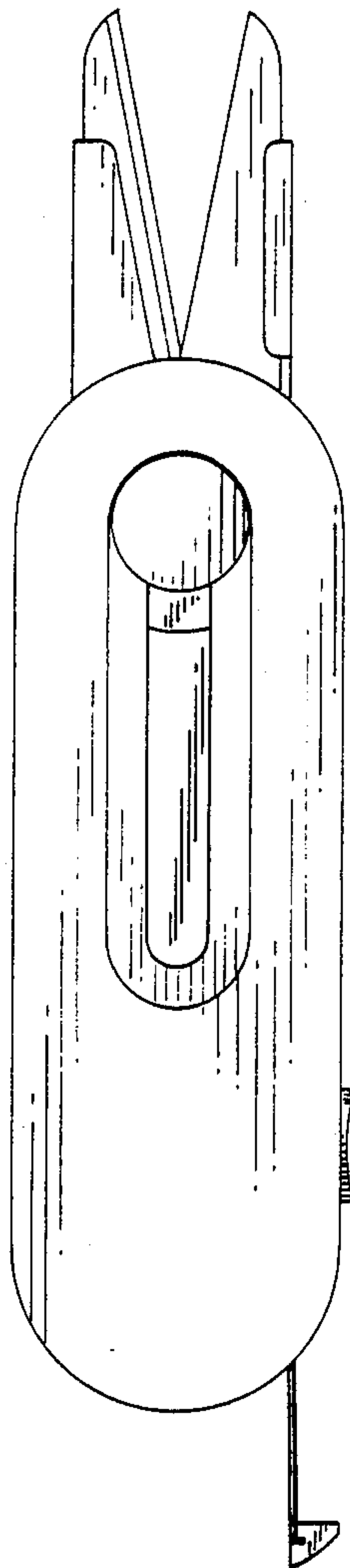


FIG. 9.

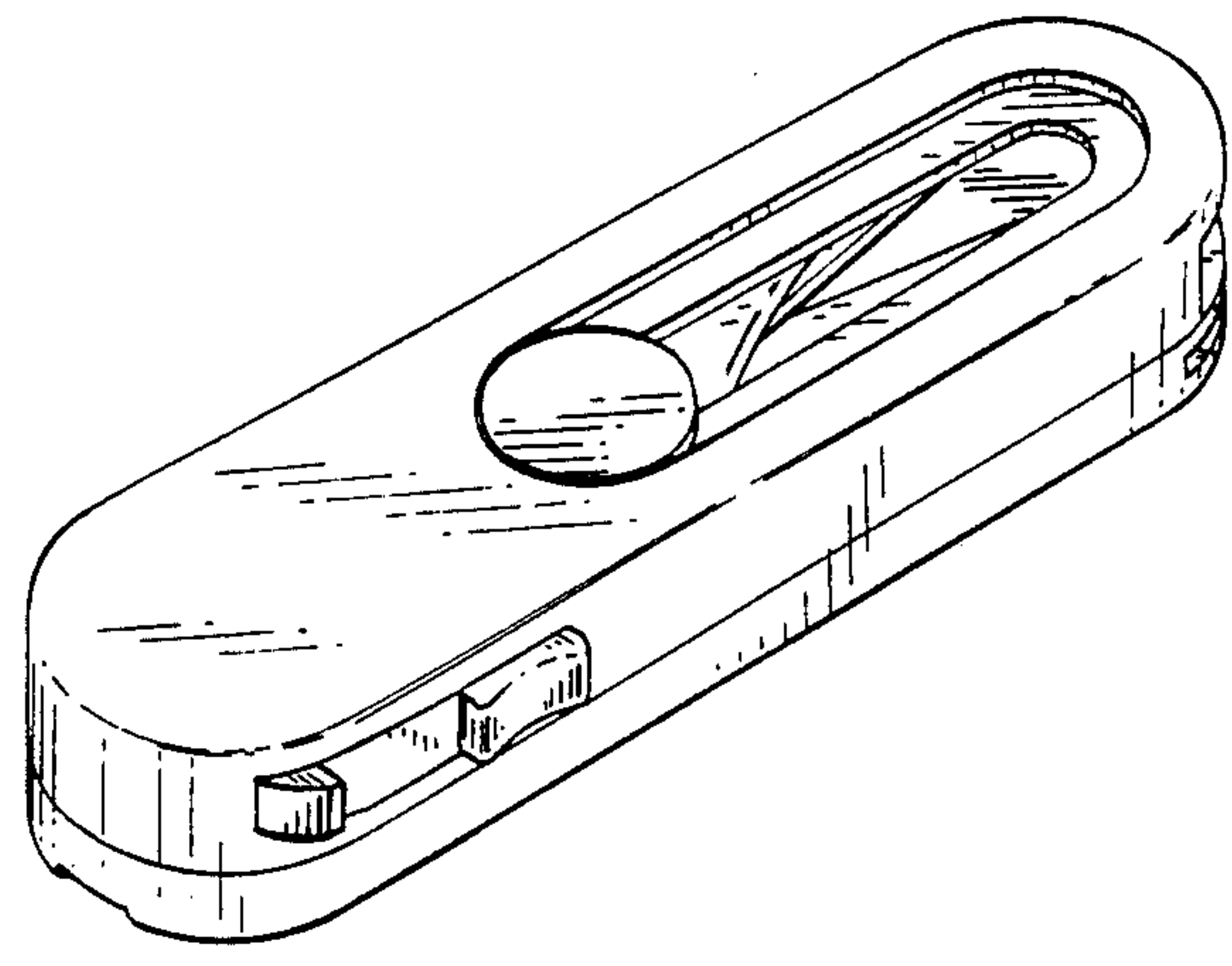
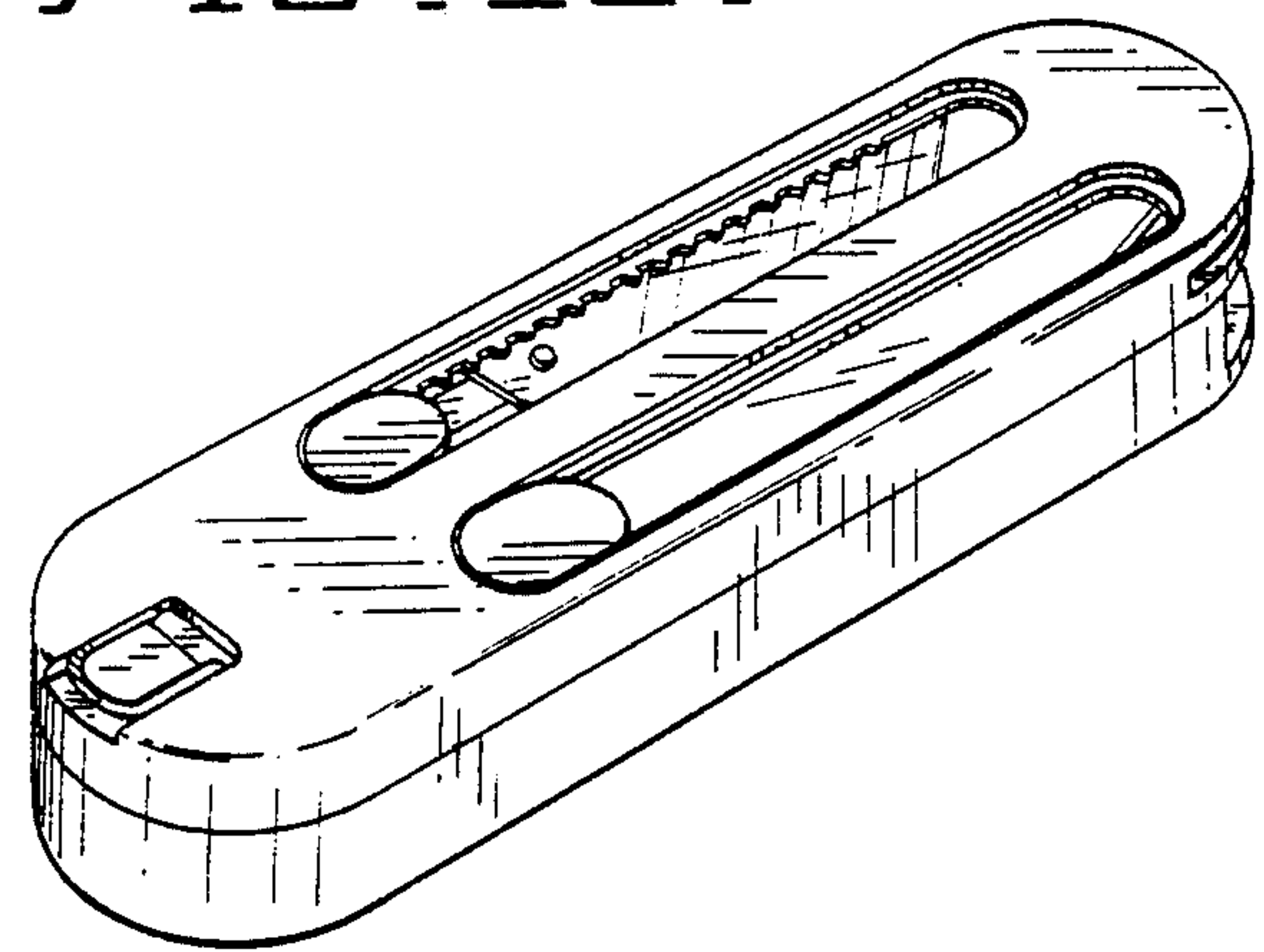


FIG. 10.



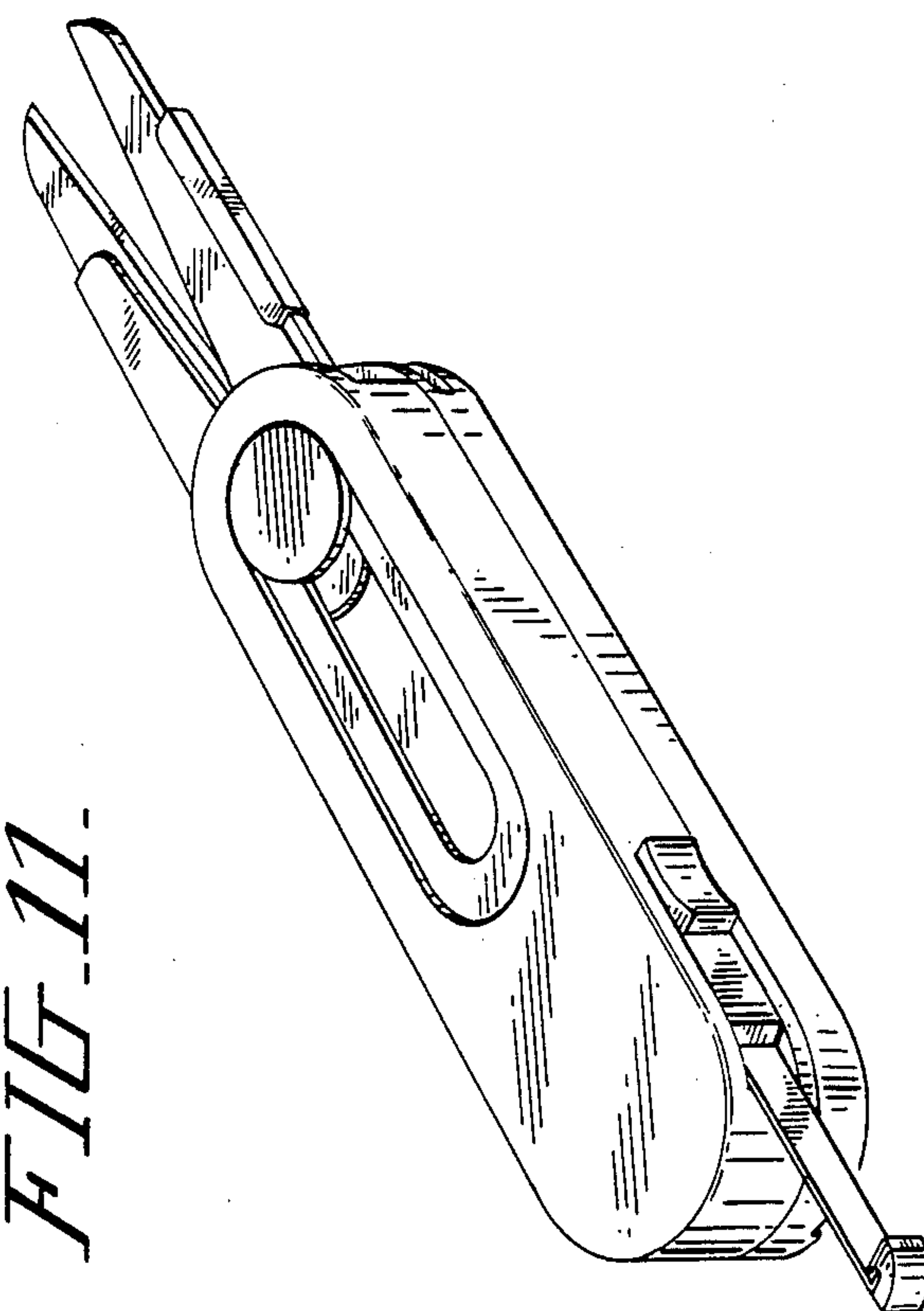


FIG. 11.