

[54] **PILLOW**

[76] **Inventor:** Stoddard Jenney, 1010 Waltham St.,
Unit F20, Lexington, Mass. 02173

[**] **Term:** 14 Years

[21] **Appl. No.:** 123,161

[22] **Filed:** Nov. 18, 1987

[52] **U.S. Cl.** D6/601

[58] **Field of Search** D6/601; 5/431-432,
5/434, 436, 443

[56] **References Cited**

U.S. PATENT DOCUMENTS

D. 214,302 6/1969 Barber D6/601
D. 273,071 3/1984 Stark D6/601
4,031,578 6/1977 Sweeney et al. D6/601 X
4,259,757 4/1981 Watson 5/434

4,393,530 7/1983 Stark 5/437
4,596,384 6/1986 Blosser 5/431 X

Primary Examiner—Wallace R. Burke
Assistant Examiner—Brian N. Vinson
Attorney, Agent, or Firm—Lahive & Cockfield

[57] **CLAIM**

The ornamental design for a pillow, as shown and described.

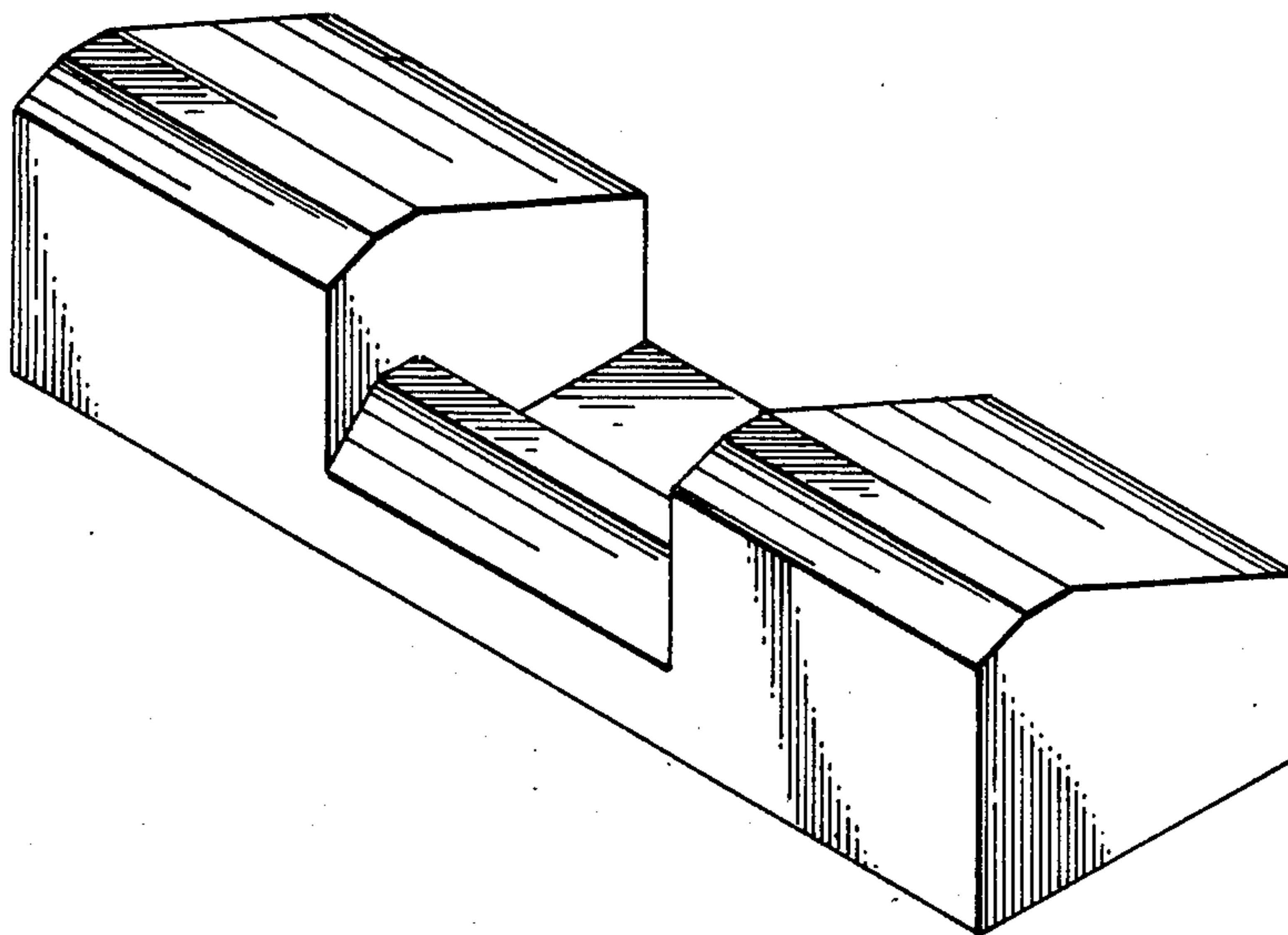
DESCRIPTION

FIG. 1 is a top, front and right side perspective view of a pillow showing my new design;

FIG. 2 is a top, rear and left side perspective view thereof;

FIG. 3 is a top plan view thereof, the undisclosed bottom being plain and unornamented; and

FIG. 4 is a front elevational view thereof.



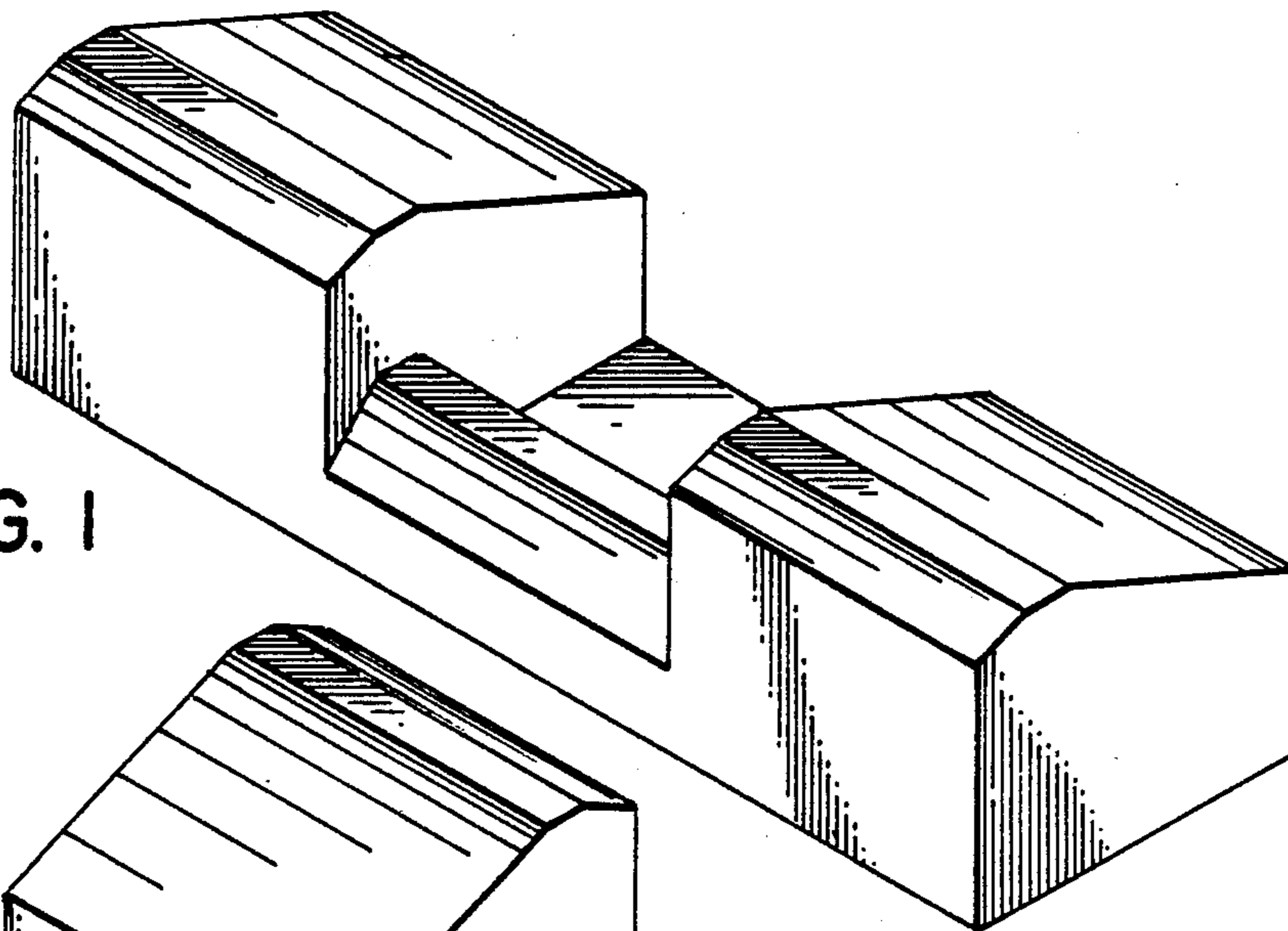


FIG. 1

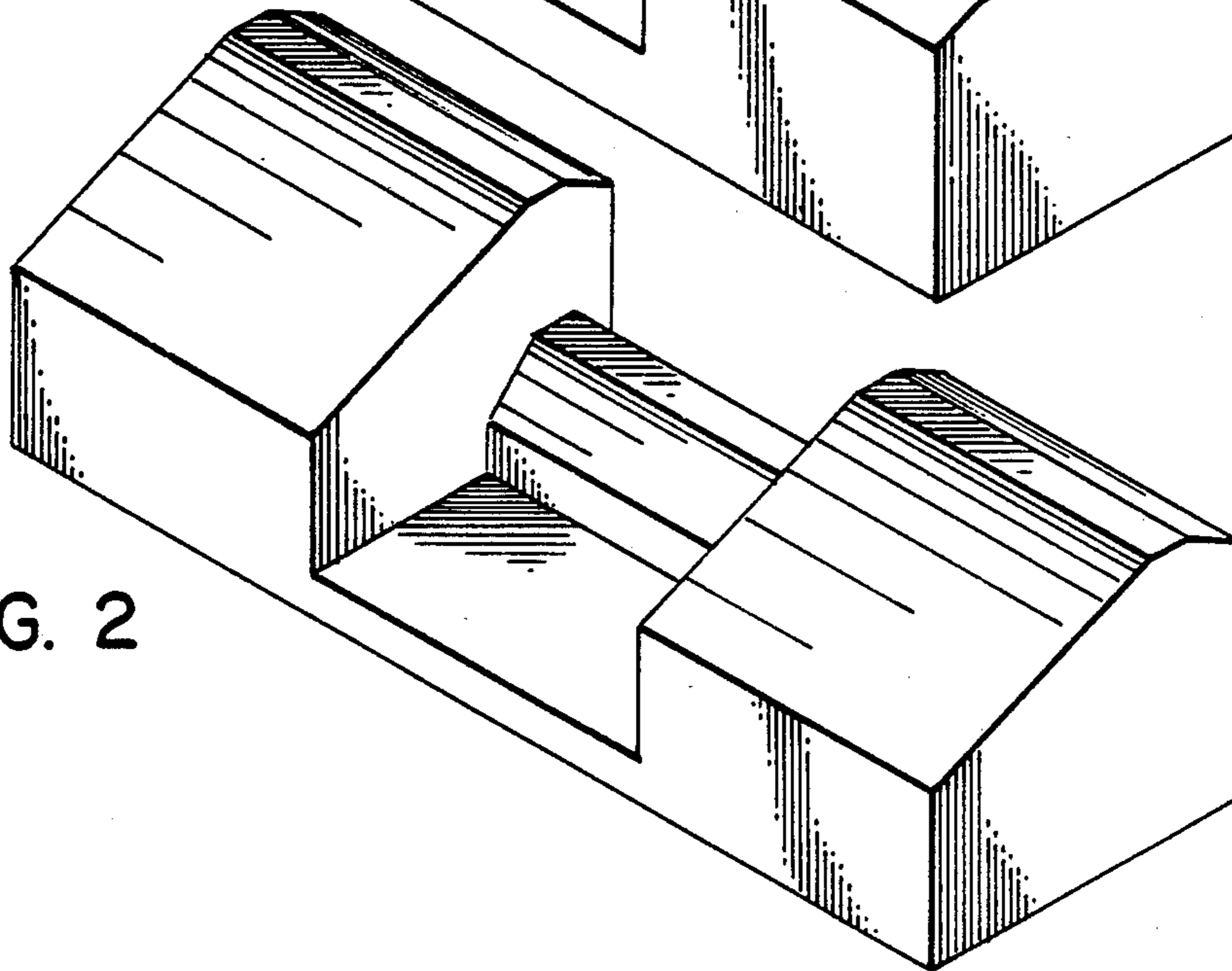


FIG. 2



FIG. 3

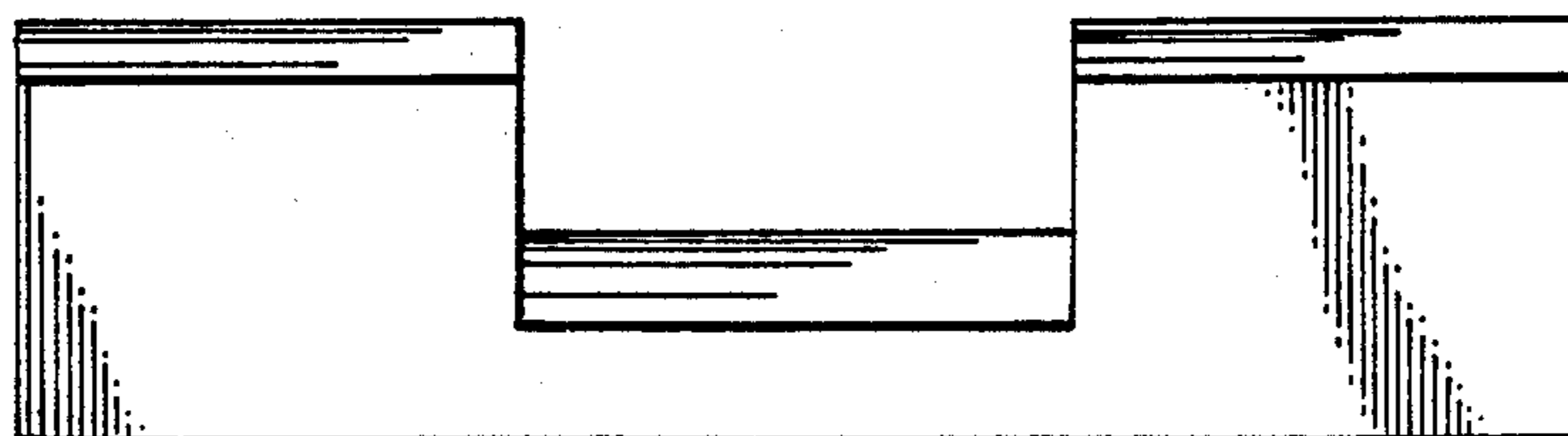


FIG. 4