

[54] STEP END TABLE

[75] Inventor: David P. G. Williams, Englewood, N.J.

[73] Assignee: Mohasco Upholstered Furniture Corp., Fairfax, Va.

[**] Term: 14 Years

[21] Appl. No.: 45,302

[22] Filed: May 4, 1987

[52] U.S. Cl. D6/474

[58] Field of Search D6/329, 396, 397, 419, D6/421, 422, 477, 426, 478, 428, 480, 474, 483, 484; 108/92

[56] References Cited

U.S. PATENT DOCUMENTS

- D. 157,937 4/1950 Carr D6/483 X
- D. 174,030 2/1955 French et al. D6/483 X

- D. 216,025 11/1969 Gianfagna D6/421
- D. 242,008 10/1976 Salsgiver D6/480 X
- D. 252,480 7/1979 Grauert D6/397
- D. 282,023 1/1986 Sottsass D6/422

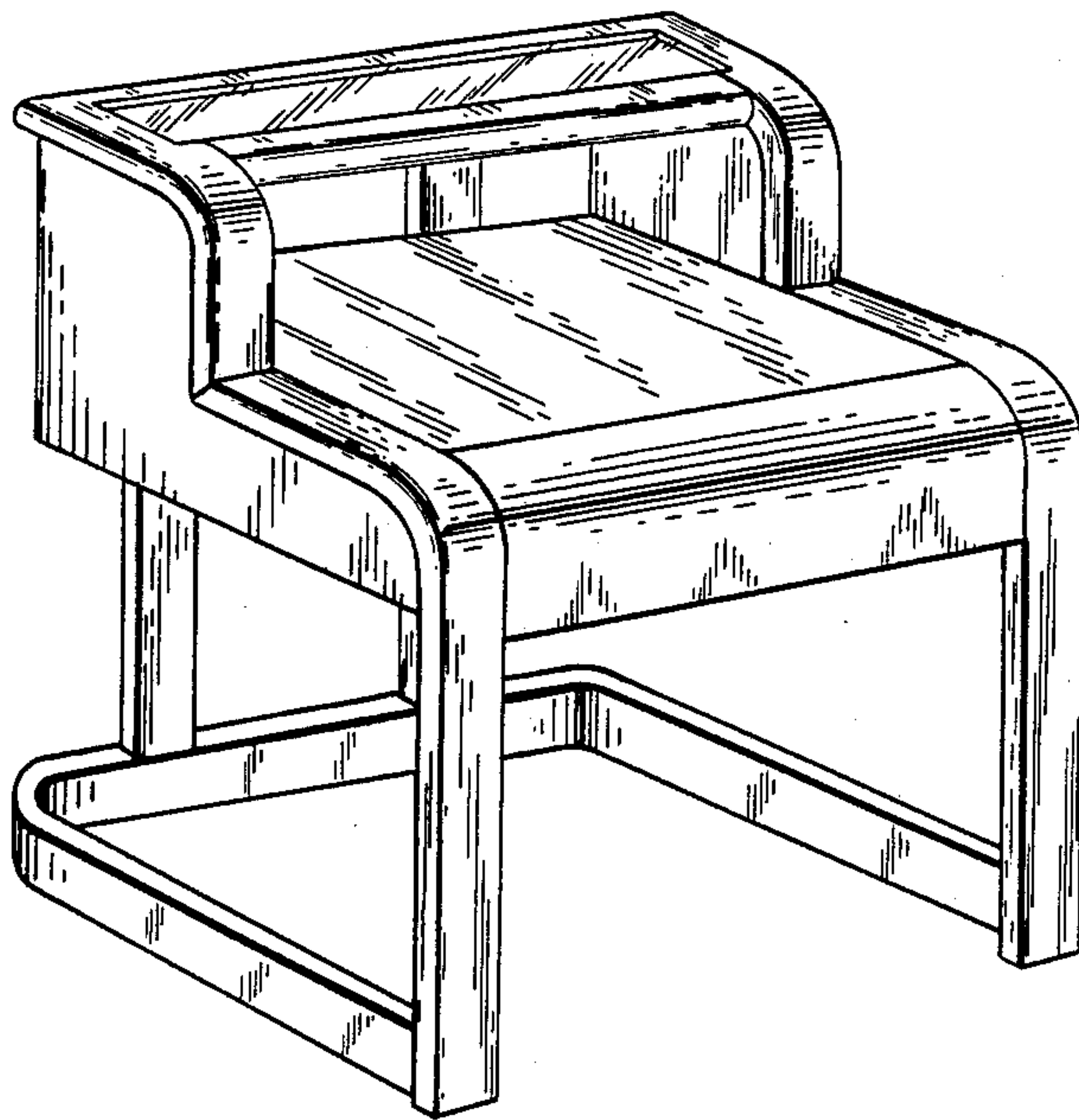
Primary Examiner—Carmen H. Vales-Lado
Assistant Examiner—Schon C. Oppert
Attorney, Agent, or Firm—Wolf Greenfield & Sacks

[57] CLAIM

The ornamental design for a step end table, as shown and described.

DESCRIPTION

FIG. 1 is a top perspective view of a step end table showing my new design;
FIG. 2 is a top plan view of thereof;
FIG. 3 is a front elevational view thereof;
FIG. 4 is a right side elevational view, the left side being a mirror image thereof; and
FIG. 5 is a rear elevational view thereof.



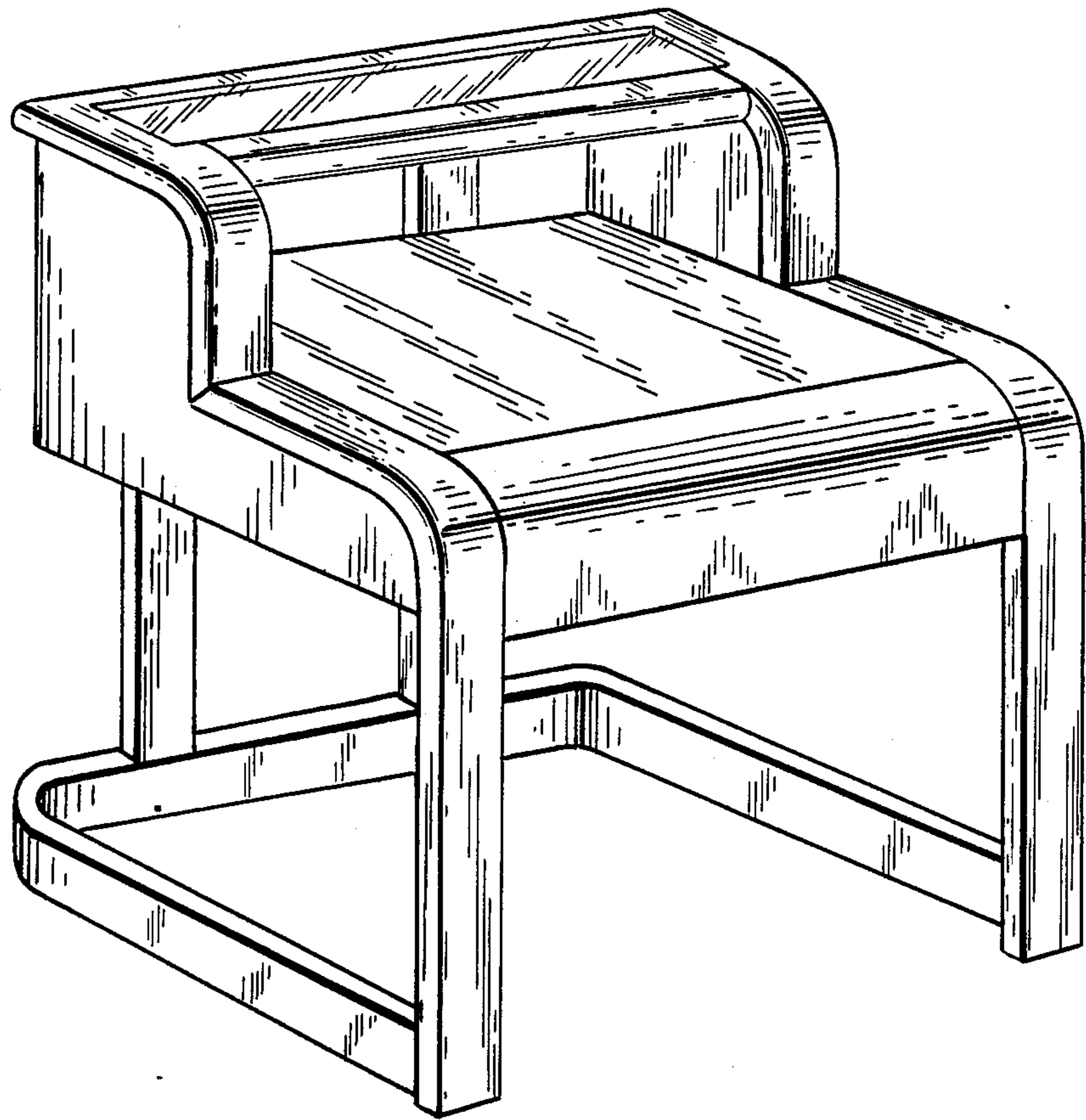


FIG. 1

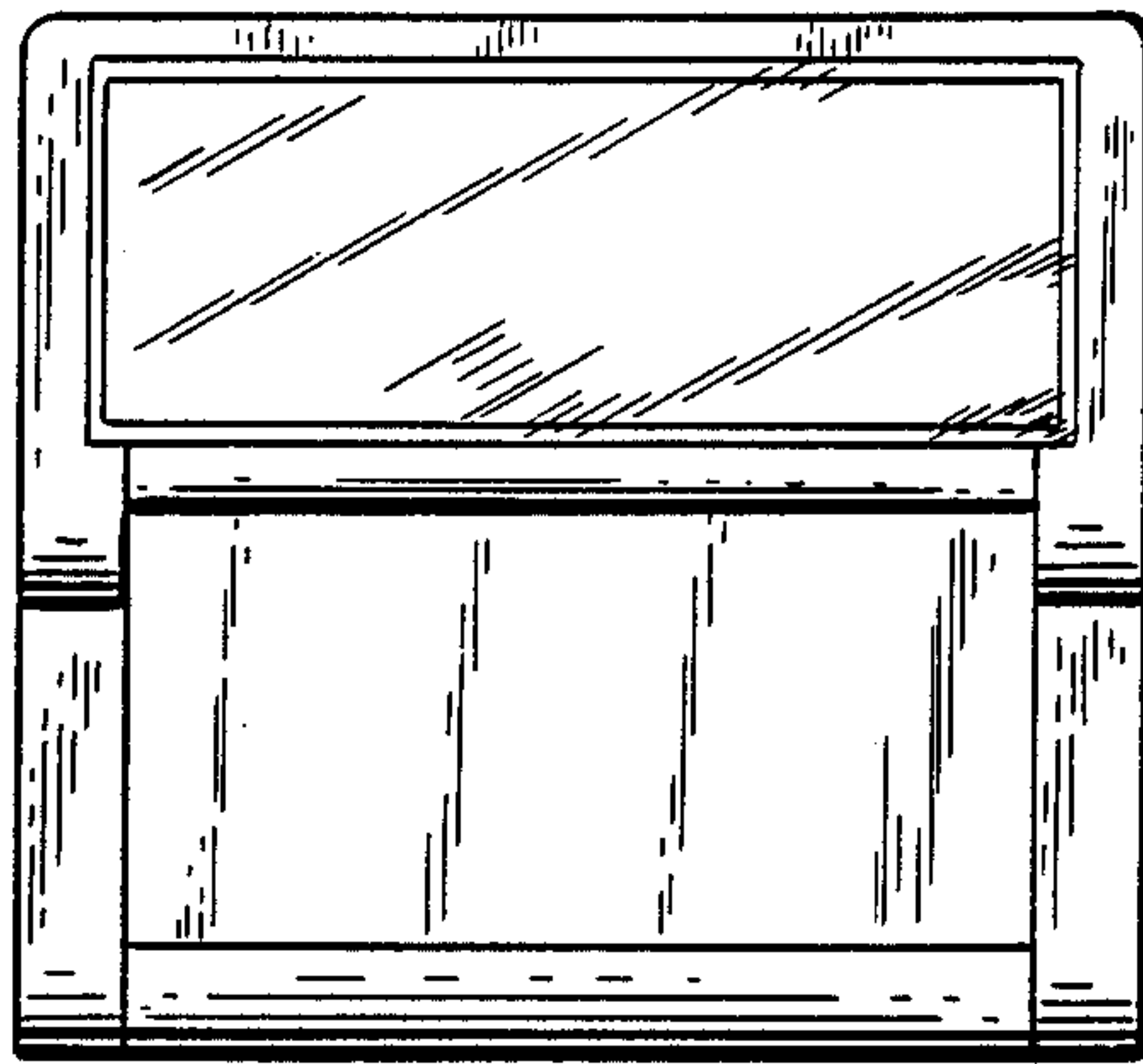


FIG. 2

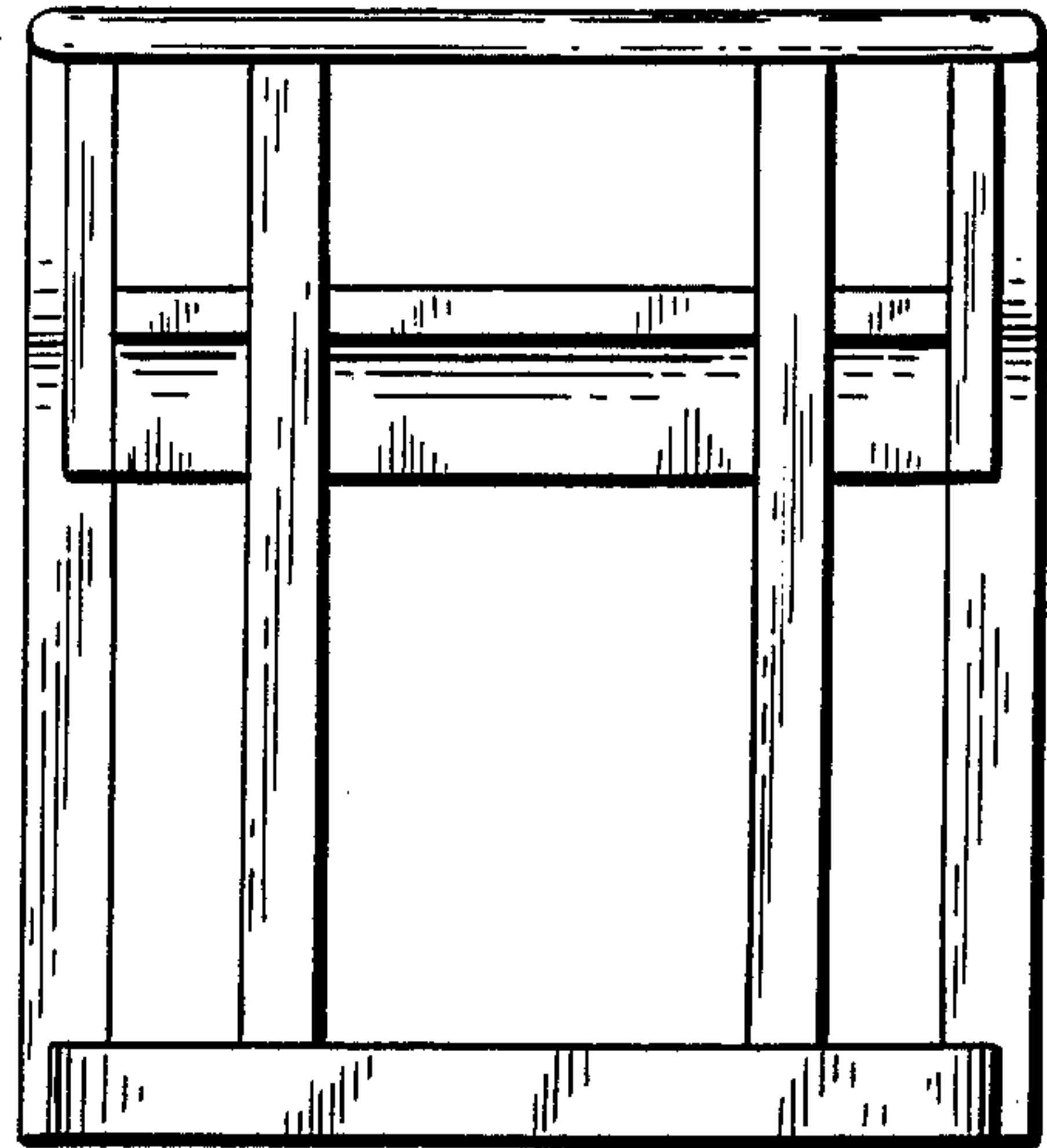


FIG. 5

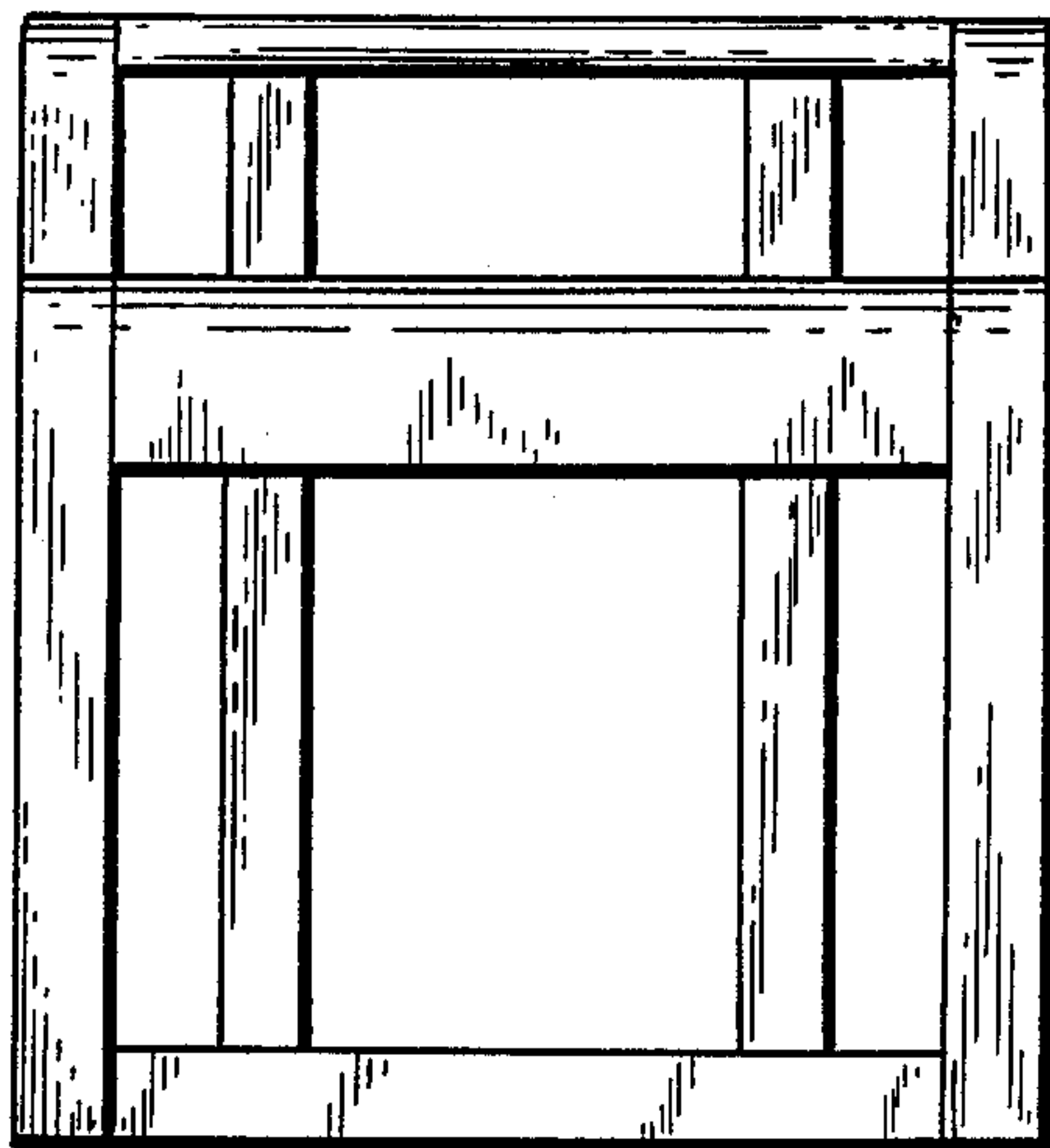


FIG. 3

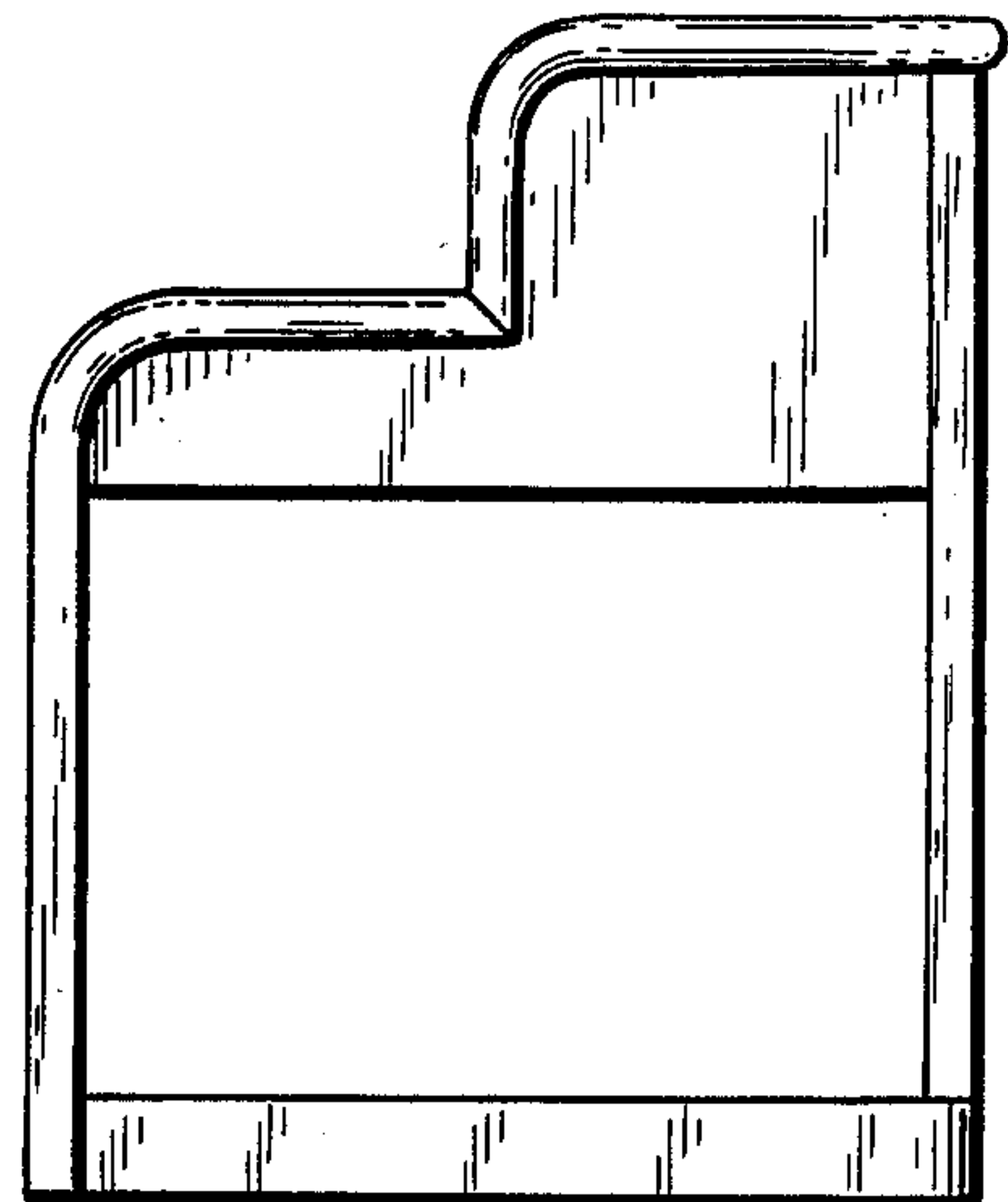


FIG. 4