

[54] TOILET-BRUSH

[75] Inventor: Roland Vetter, Giengen-Sachsenhausen, Fed. Rep. of Germany

[73] Assignee: Schwaebische Buerstenfabrik Hans Haug KG, Koenigsbrunn, Fed. Rep. of Germany

[\*\*] Term: 14 Years

[21] Appl. No.: 82,063

[22] Filed: Aug. 5, 1987

[30] Foreign Application Priority Data

Feb. 11, 1987 [DE] Fed. Rep. of Germany ..... 4656
[52] U.S. Cl. .... D4/131
[58] Field of Search ..... D4/131-133, D4/135-136, 138, 199; 15/159 R, 159 A, 160, 164, 236.01-236.05; D8/10, 14, 16, 19, 80, 83, 107, DIG. 8; 81/177.1, 489-492, 900-901; 16/110 R; 30/85-86, 169, 171, 329, 340

[56] References Cited

U.S. PATENT DOCUMENTS

- D. 86,685 4/1932 Post ..... D4/116
D. 139,161 10/1944 Plumley ..... D8/14
D. 291,839 9/1987 Phillips ..... D32/49
1,120,947 12/1914 Langager ..... 81/489 X
1,759,216 5/1930 Anderson ..... 401/286
1,888,222 11/1932 Curtis et al. .... 81/177.1 X
2,556,797 6/1951 Carlson ..... 15/236.01 X
2,693,384 11/1954 Clarke ..... 30/169 X
3,154,352 10/1964 Riffelmacher et al. .... 15/236.05 X
3,349,484 10/1967 Zeles ..... 30/86 X
4,094,062 6/1978 Papanikolaou ..... 30/86 X

OTHER PUBLICATIONS

Simmons Hardware Co., ©1939; "Coffee Maker Brush", Item No. RB 700, p. 202.

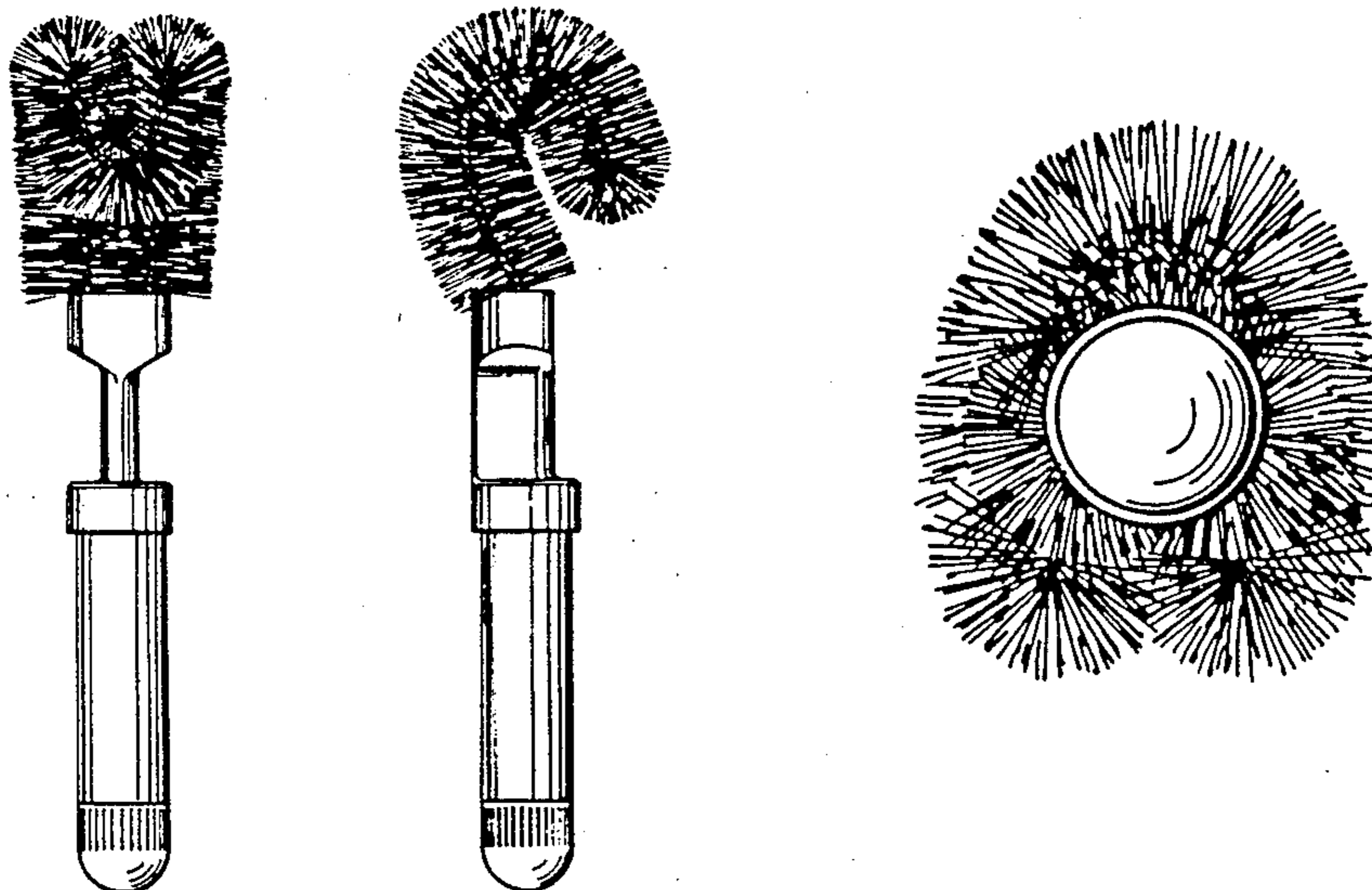
Primary Examiner—Wallace R. Burke
Assistant Examiner—Lavone D. Tabor
Attorney, Agent, or Firm—Flynn, Thiel, Boutell & Tanis

[57] CLAIM

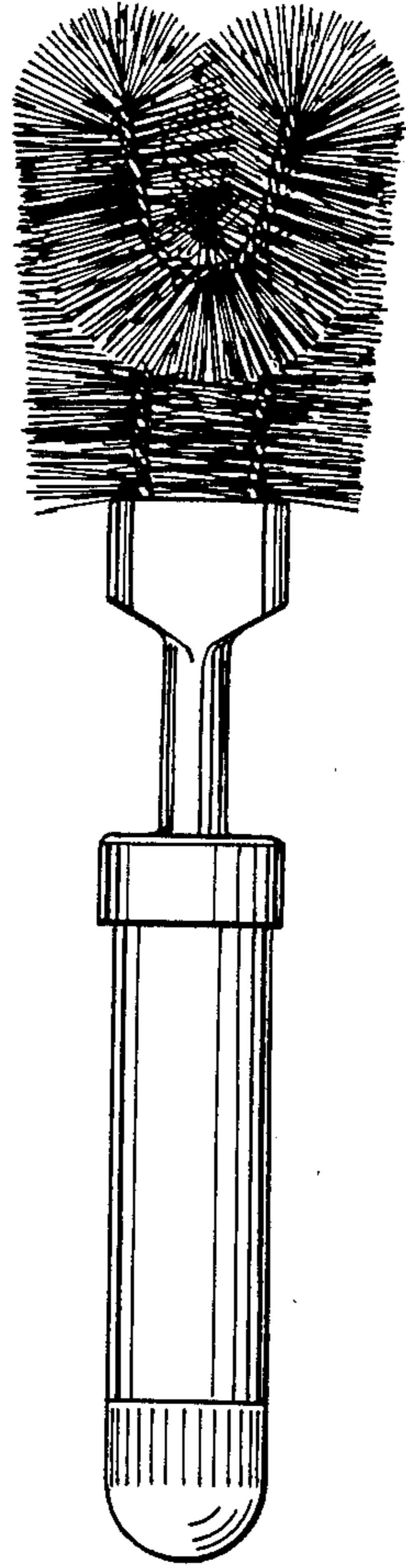
The ornamental design for a toilet-brush, as shown and described.

DESCRIPTION

FIG. 1 is a side elevational view of a toilet brush showing my new design, the opposite side being a mirror image thereof;
FIG. 2 is a rear elevational view thereof;
FIG. 3 is a front elevational view thereof;
FIG. 4 is a top plan view thereof;
FIG. 5 is a bottom plan view thereof;
FIG. 6 is a side elevational view of a second embodiment of FIG. 1, the opposite side being a mirror image thereof;
FIG. 7 is a rear elevational view thereof;
FIG. 8 is a front elevational view thereof;
FIG. 9 is a top plan view thereof;
FIG. 10 is a bottom plan view thereof;
FIG. 11 is a side elevational view of a third embodiment of FIG. 1, the opposite side being a mirror image thereof;
FIG. 12 is a rear elevational view thereof;
FIG. 13 is a front elevational view thereof;
FIG. 14 is a top plan view thereof;
FIG. 15 is a bottom plan view thereof;
FIG. 16 is a side elevational view of a fourth embodiment of FIG. 1, the opposite side being a mirror image thereof;
FIG. 17 is a rear elevational view thereof;
FIG. 18 is a front elevational view thereof;
FIG. 19 is a top plan view thereof;
FIG. 20 is a bottom plan view thereof;
FIG. 21 is a side elevational view of a fifth embodiment of FIG. 1, the opposite side being a mirror image thereof;
FIG. 22 is a rear elevational view thereof;
FIG. 23 is a front elevational view thereof;
FIG. 24 is a top plan view thereof;
FIG. 25 is a bottom plan view thereof;
FIG. 26 is a side elevational view of a sixth embodiment of FIG. 1, the opposite side being a mirror image thereof;
FIG. 27 is a rear elevational view thereof;
FIG. 28 is a front elevational view thereof;
FIG. 29 is a top plan view thereof; and
FIG. 30 is a bottom plan view thereof.



*FIG. 2*



*FIG. 1.*

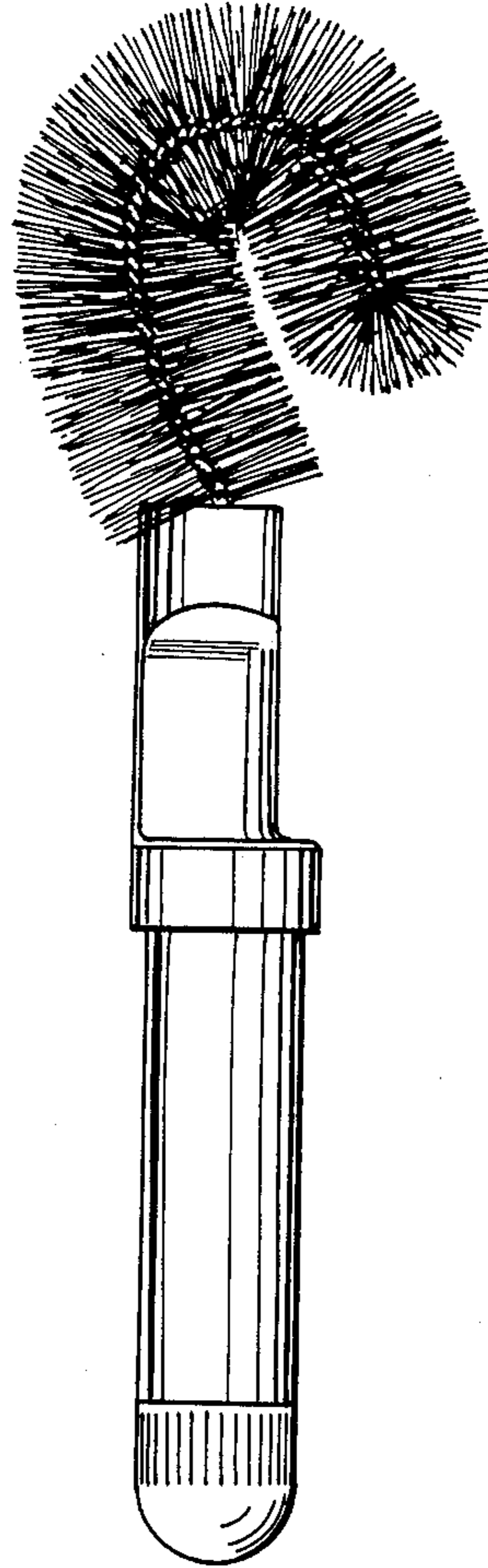


FIG. 3

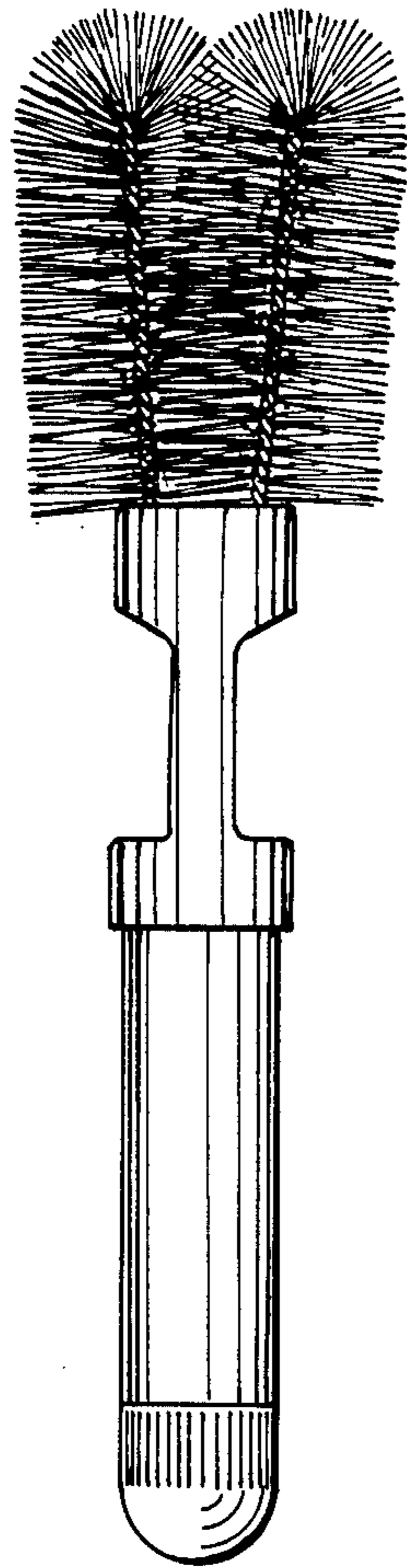


FIG. 4

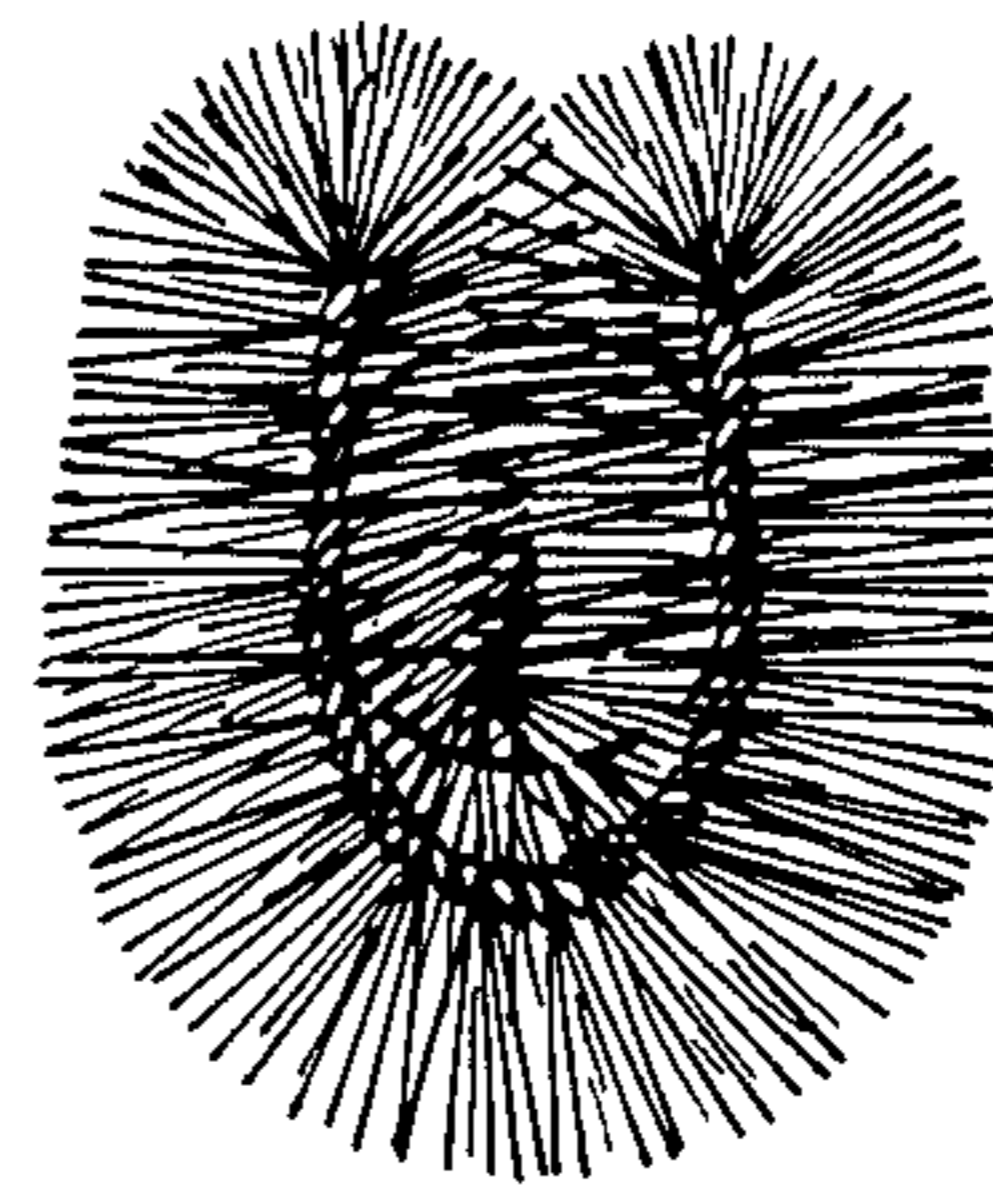


FIG. 5

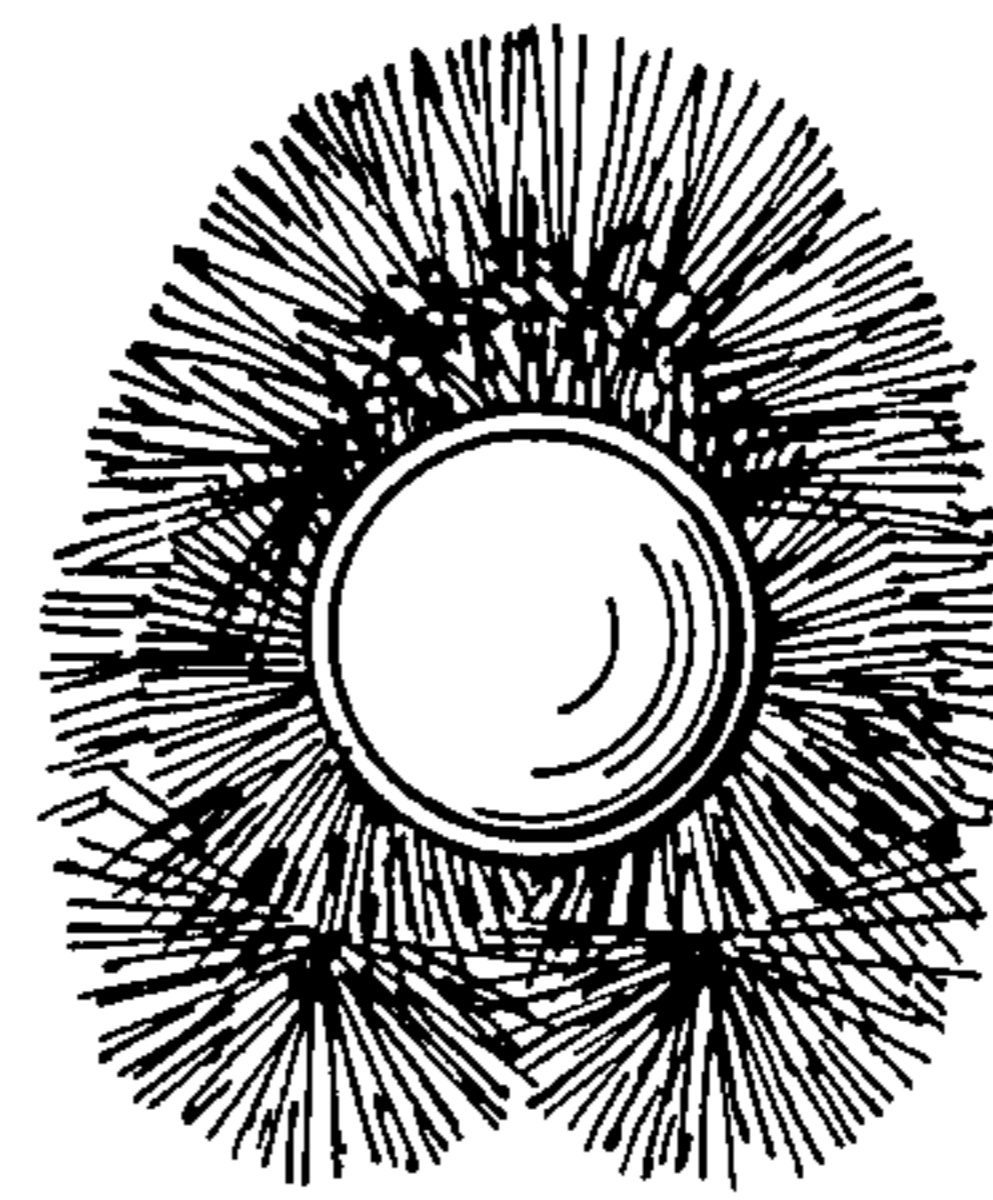


FIG. 7

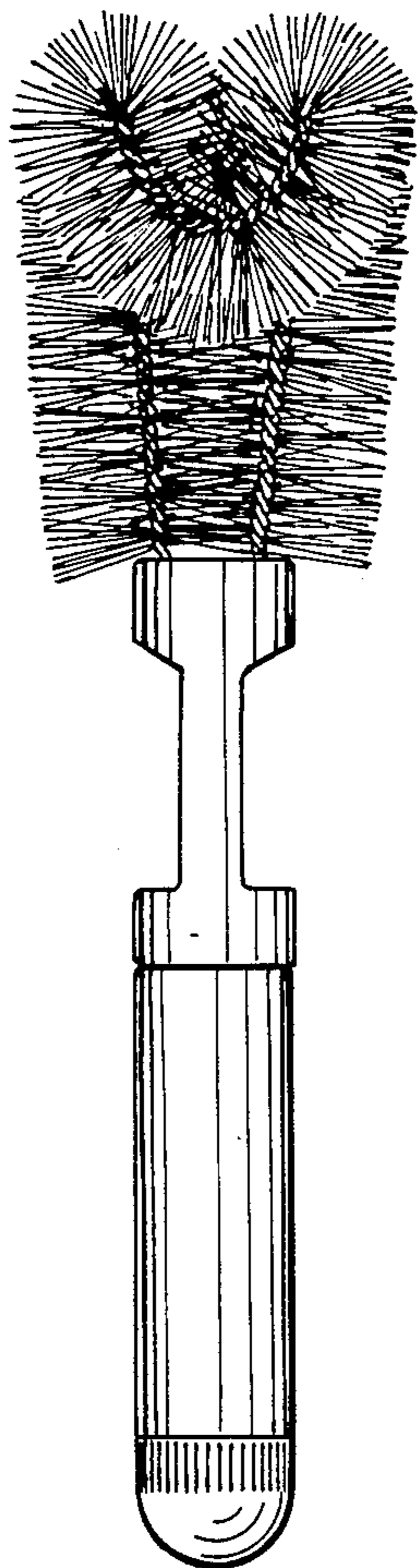


FIG. 6

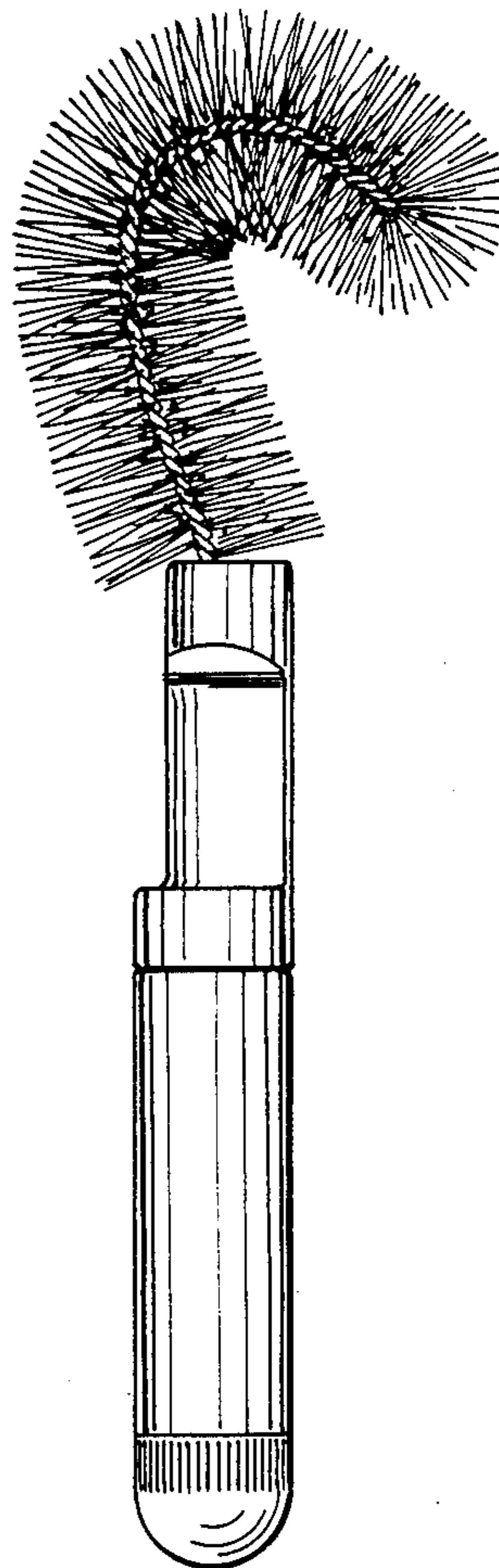


FIG. 8

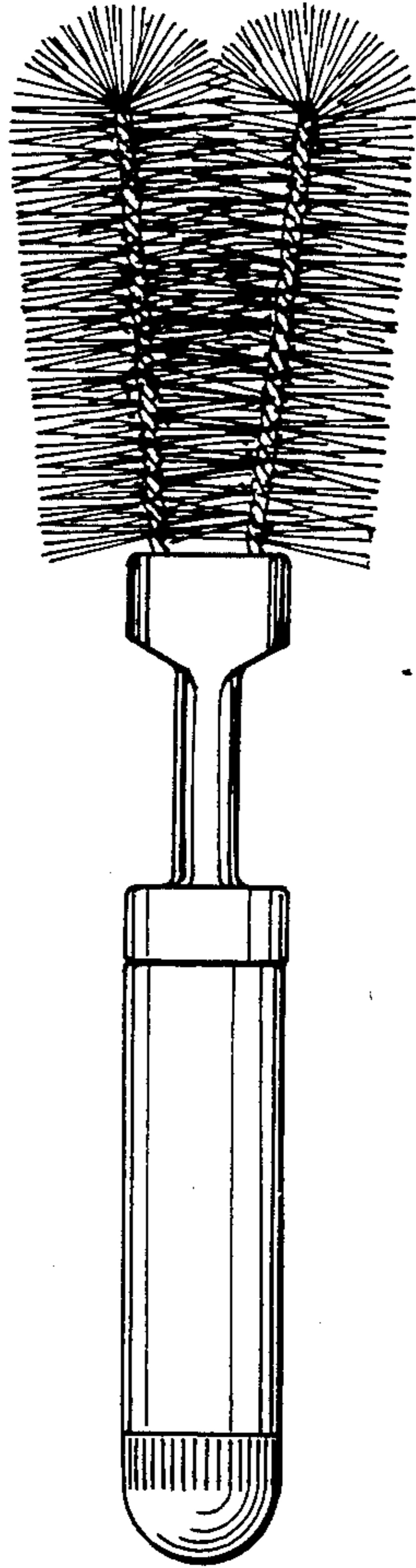


FIG. 9

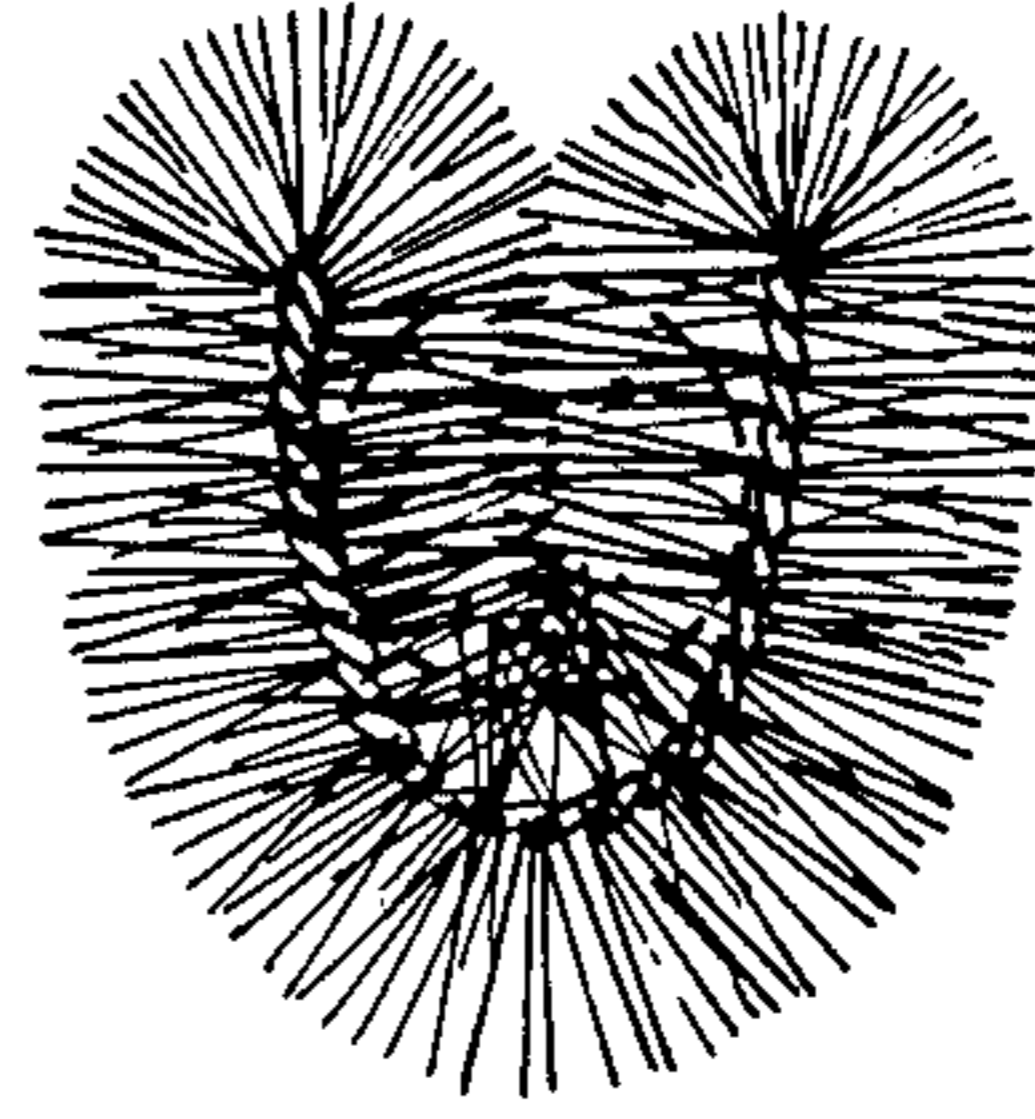
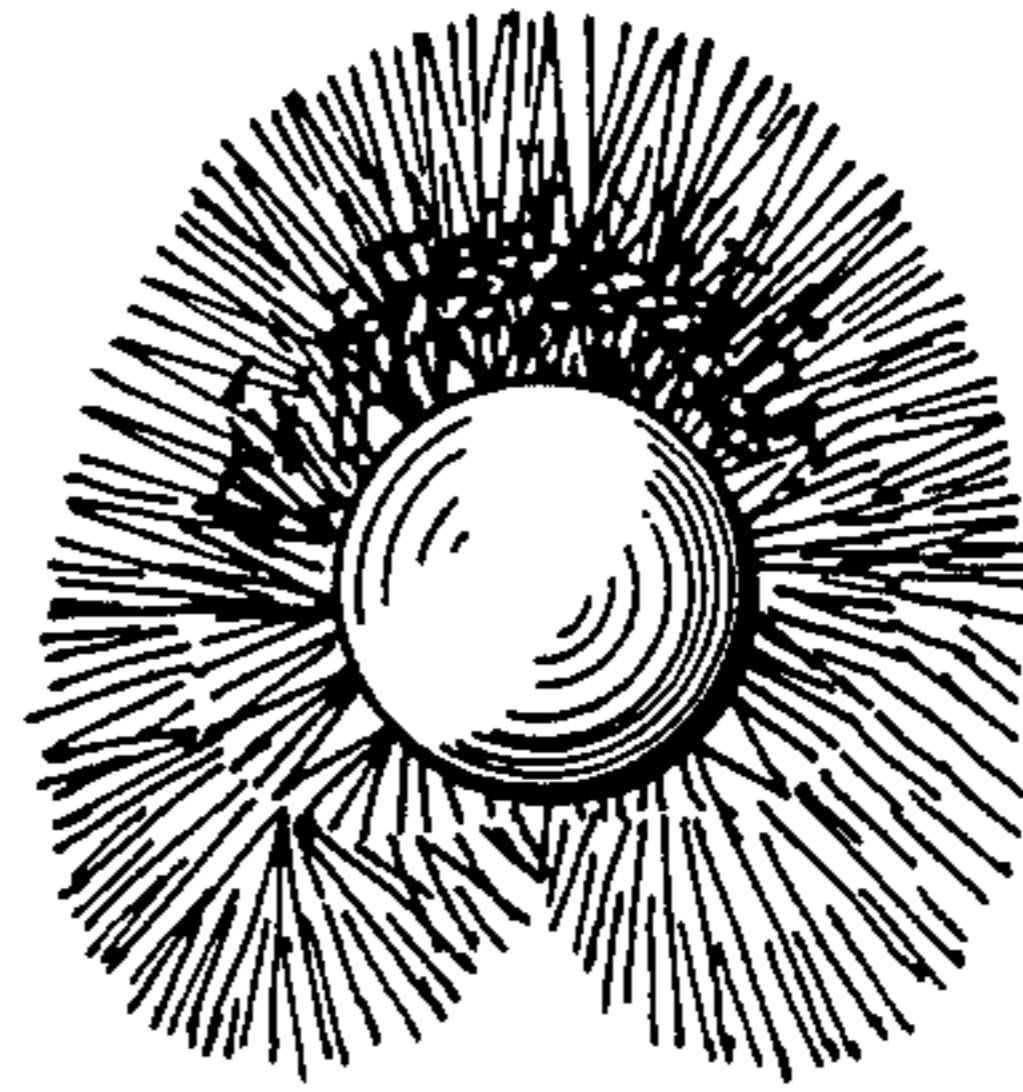


FIG. 10



*FIG. 12*

*FIG. 11*

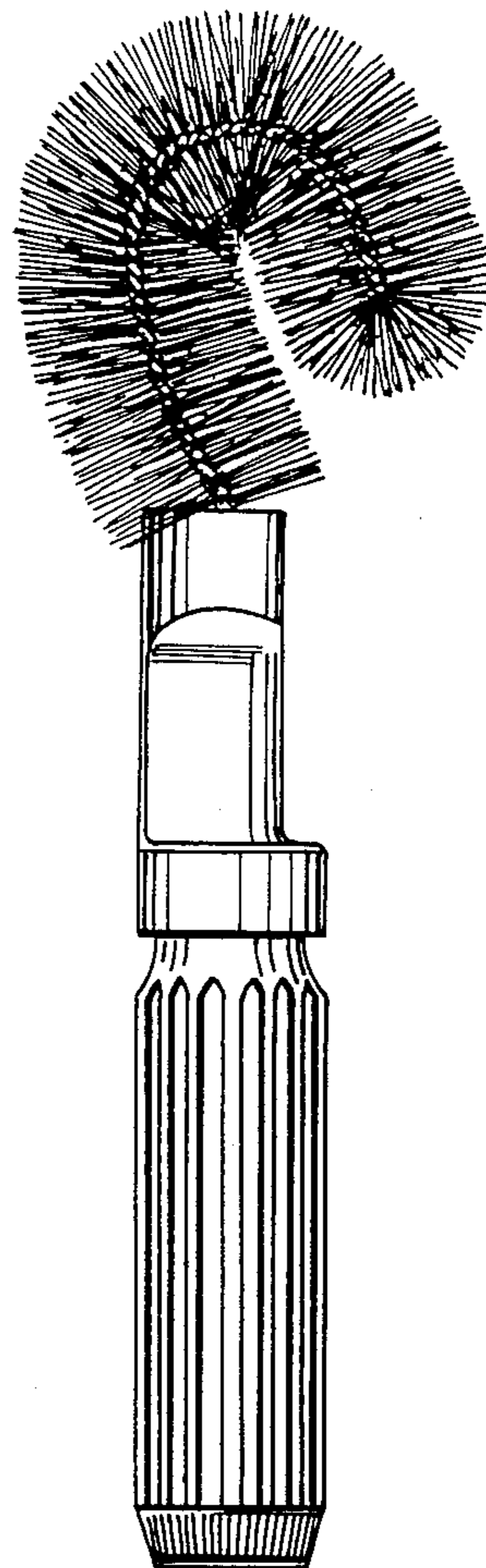
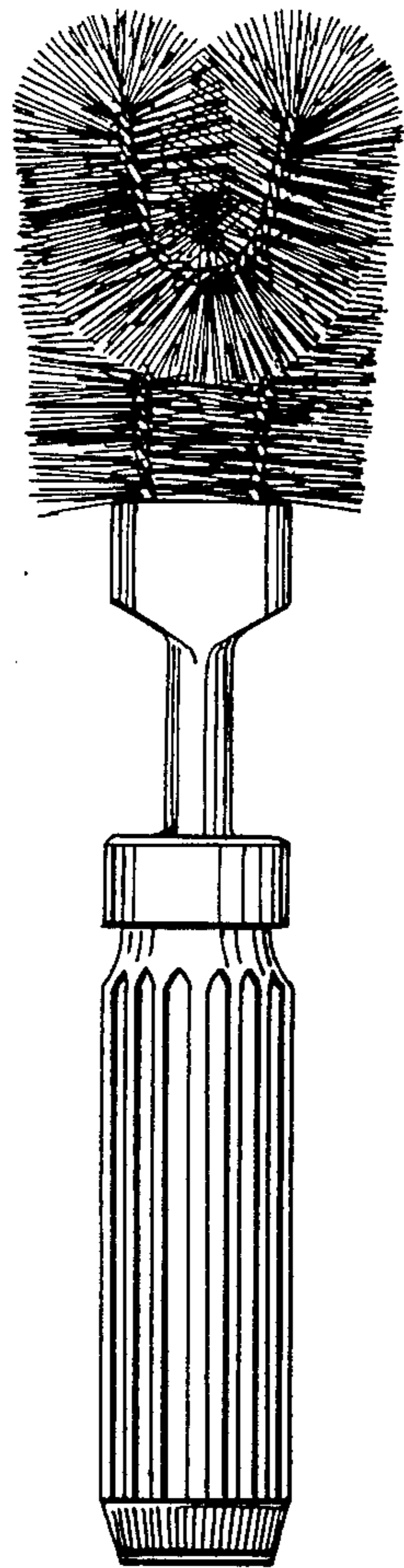


FIG. 13

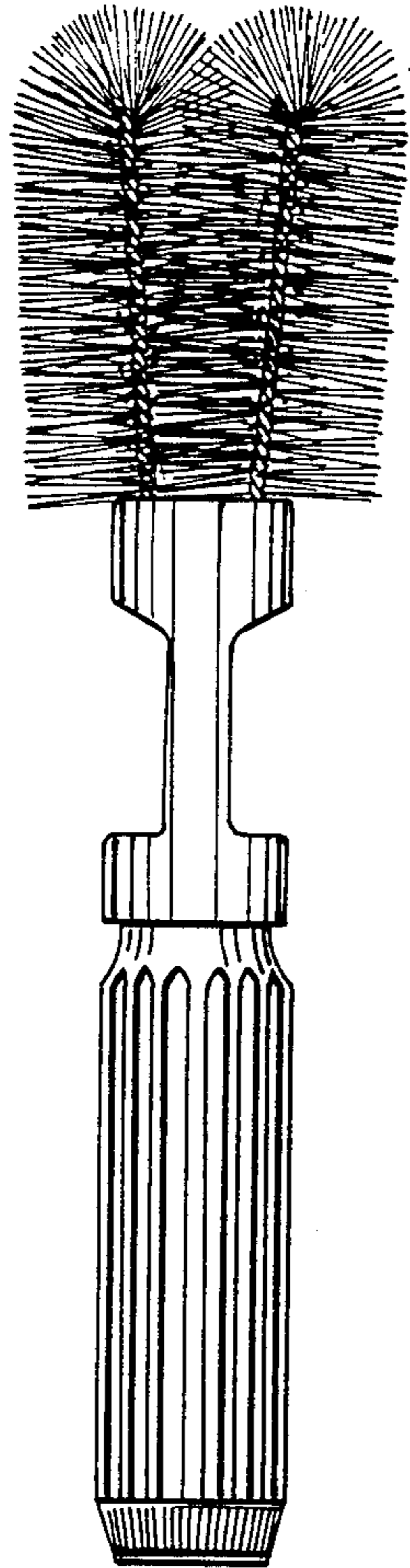


FIG. 14

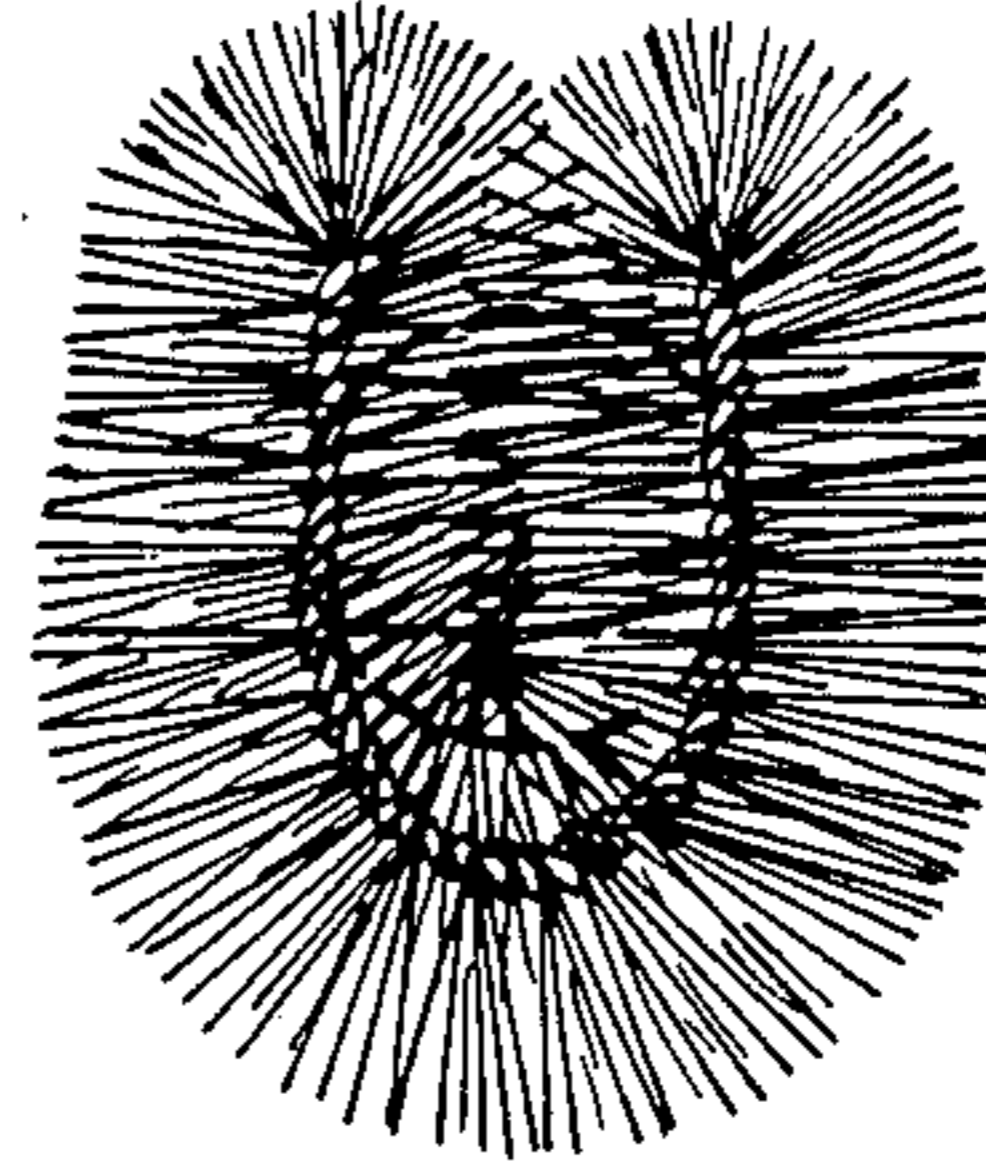
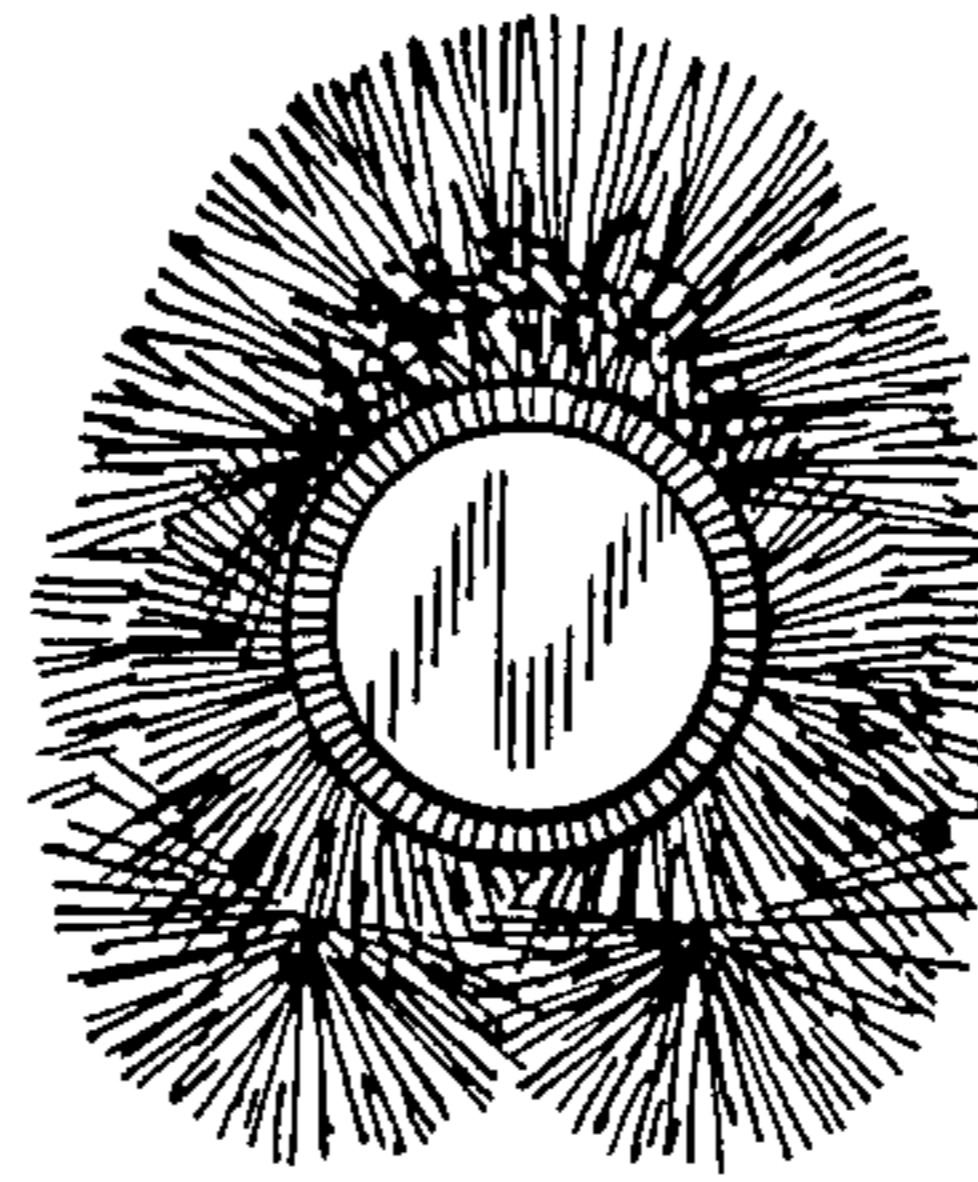
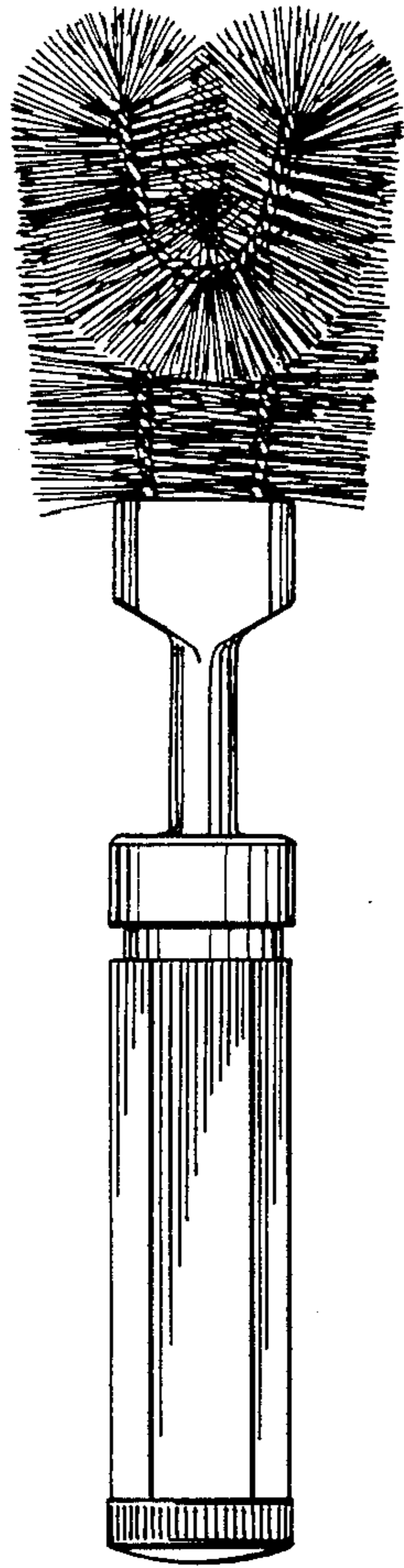


FIG. 15



*FIG. 17*



*FIG. 16*

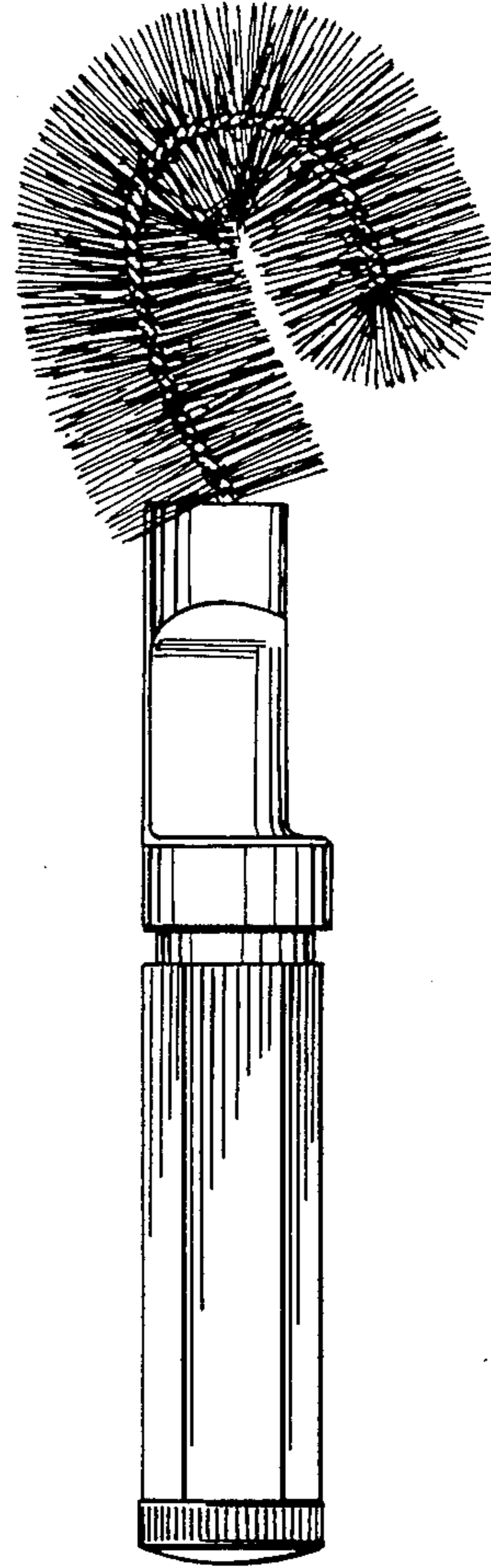




FIG. 18

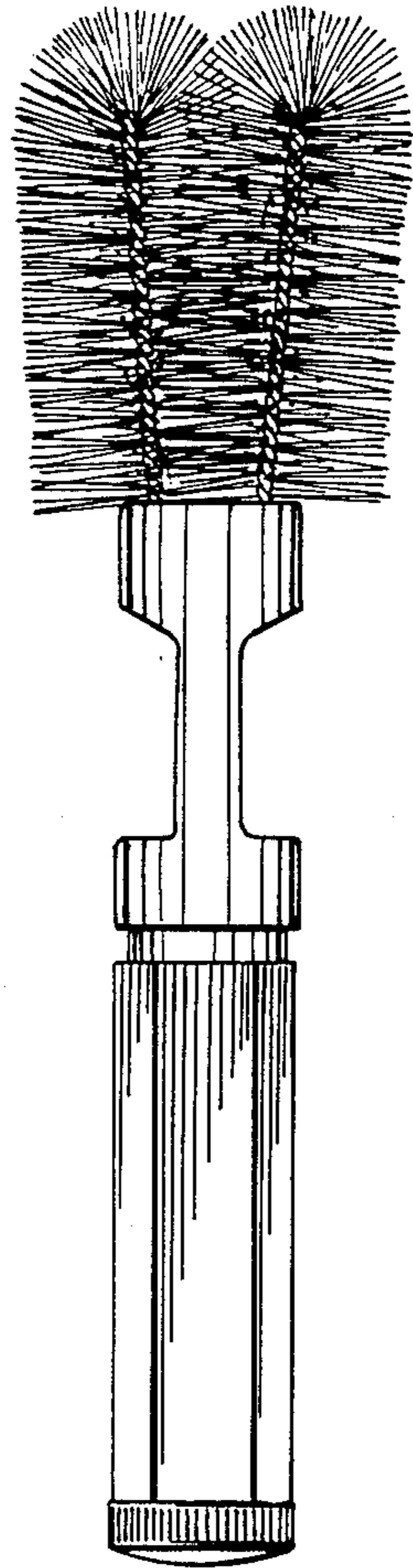


FIG. 19

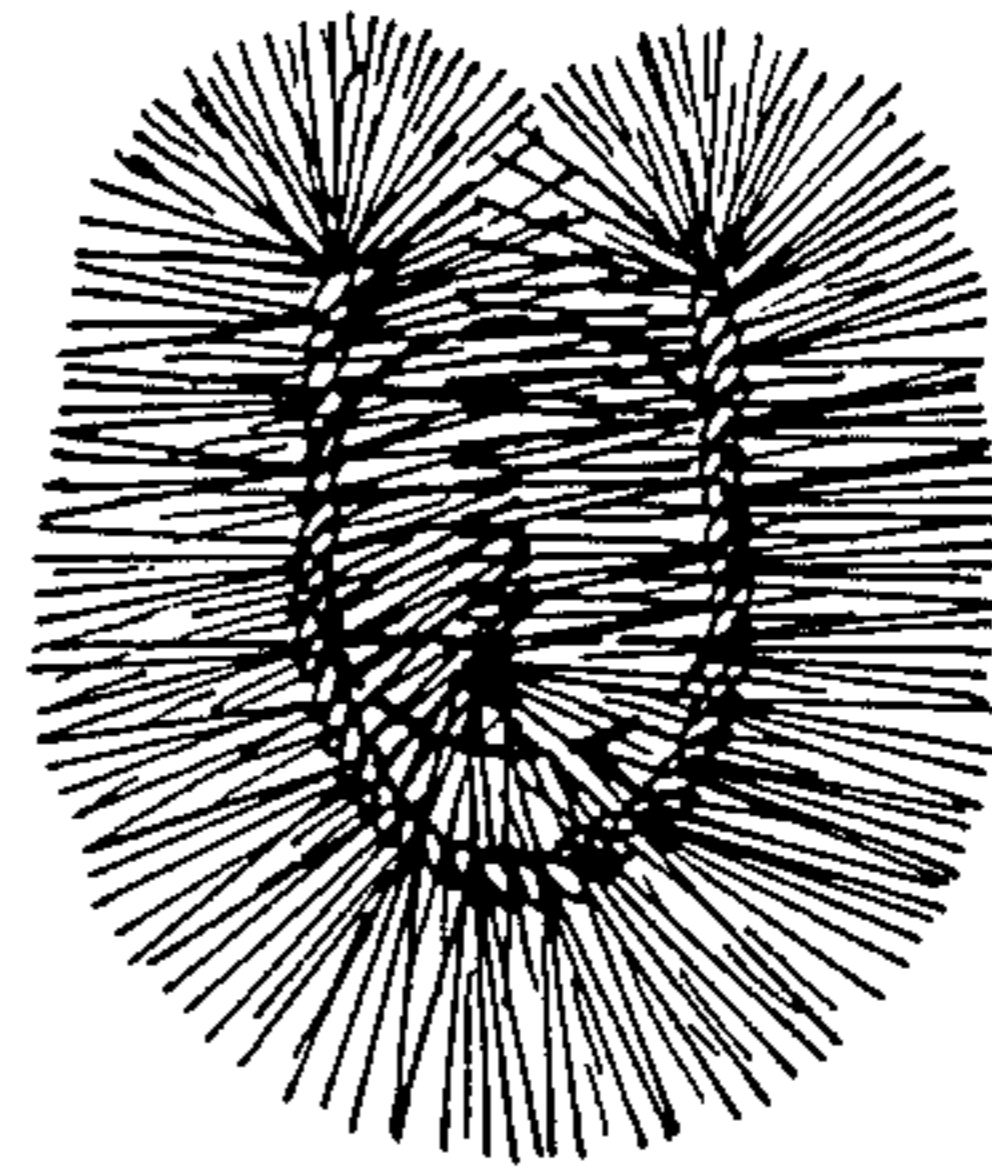


FIG. 20

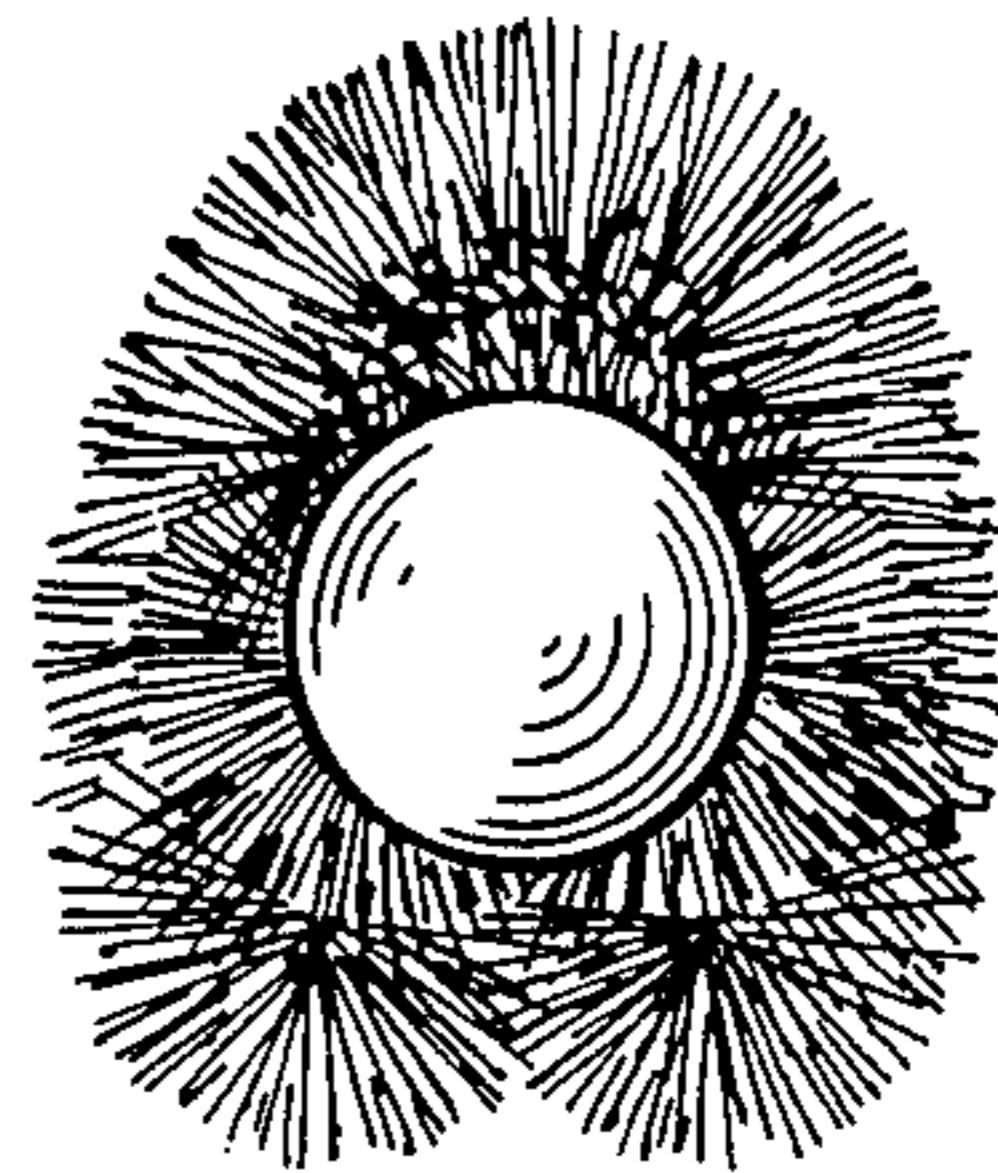


FIG. 22

FIG. 21

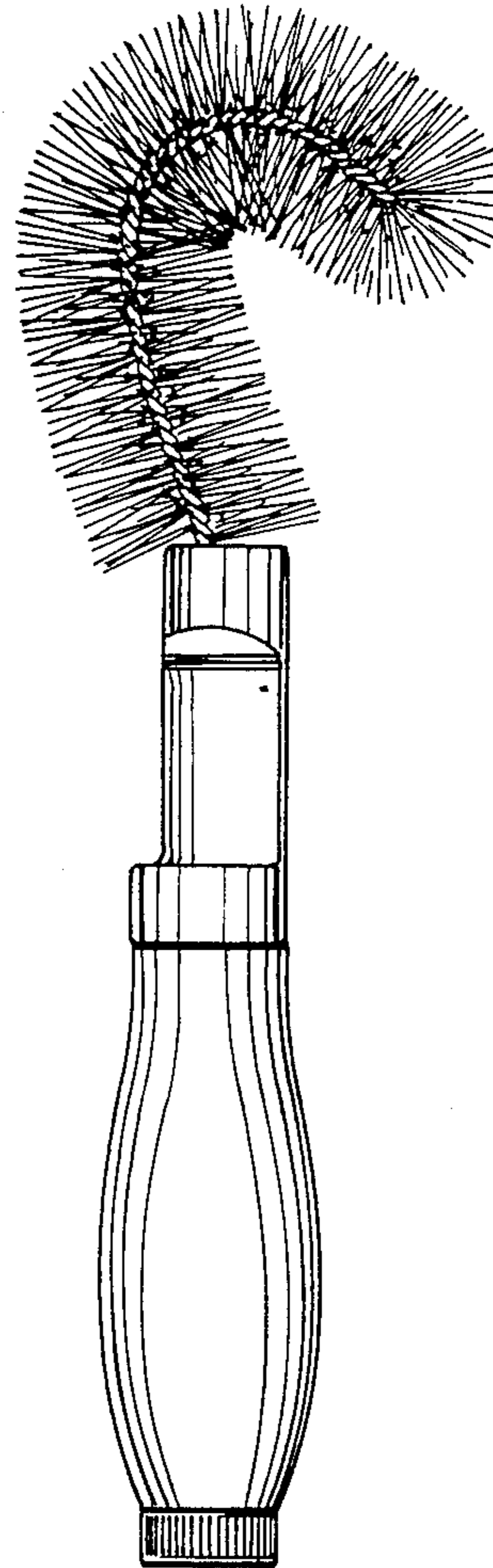
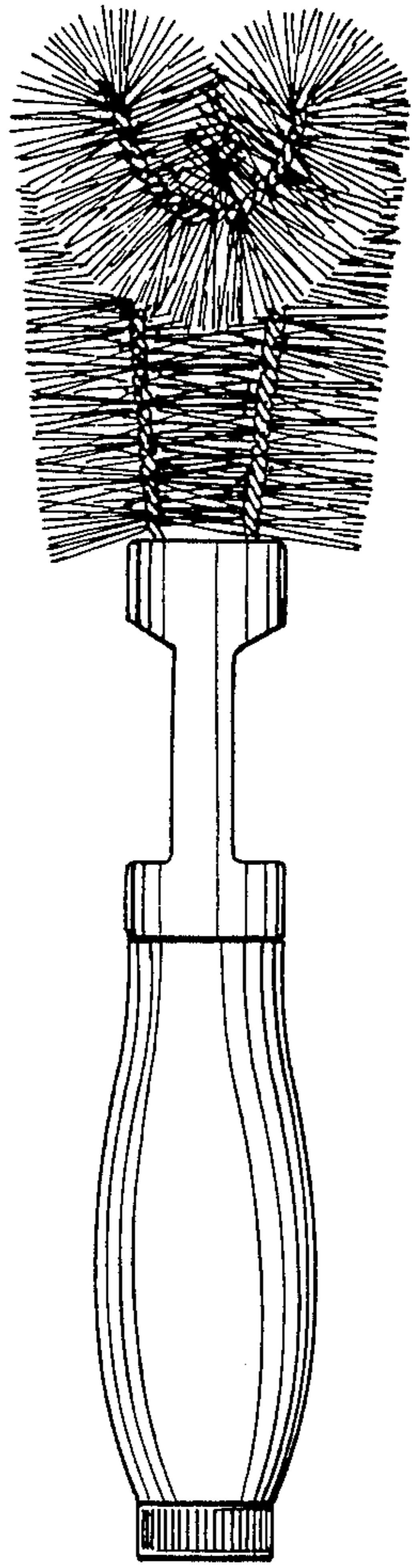


FIG. 23

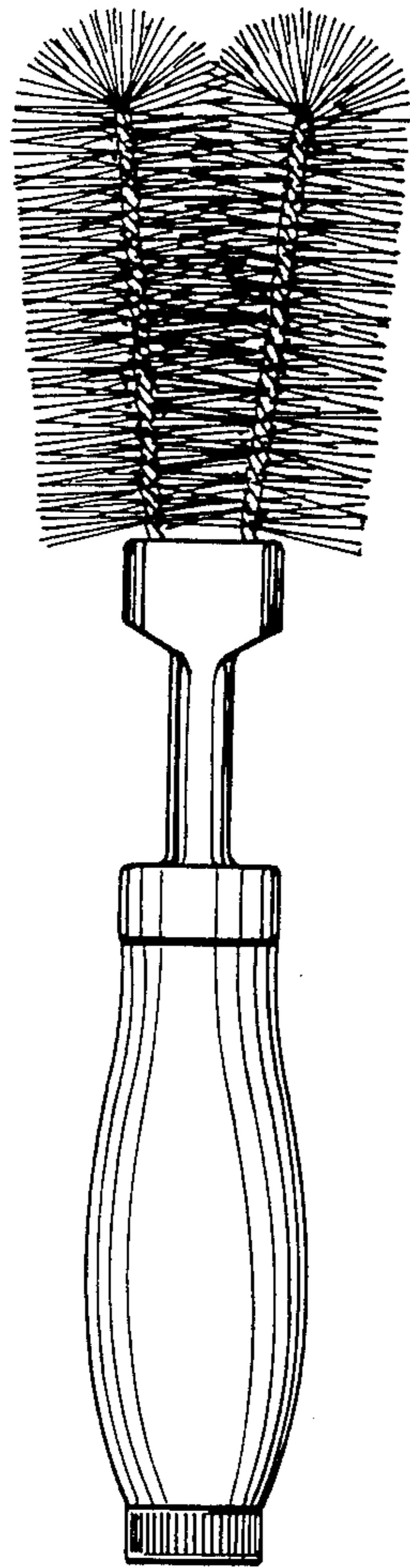


FIG. 24

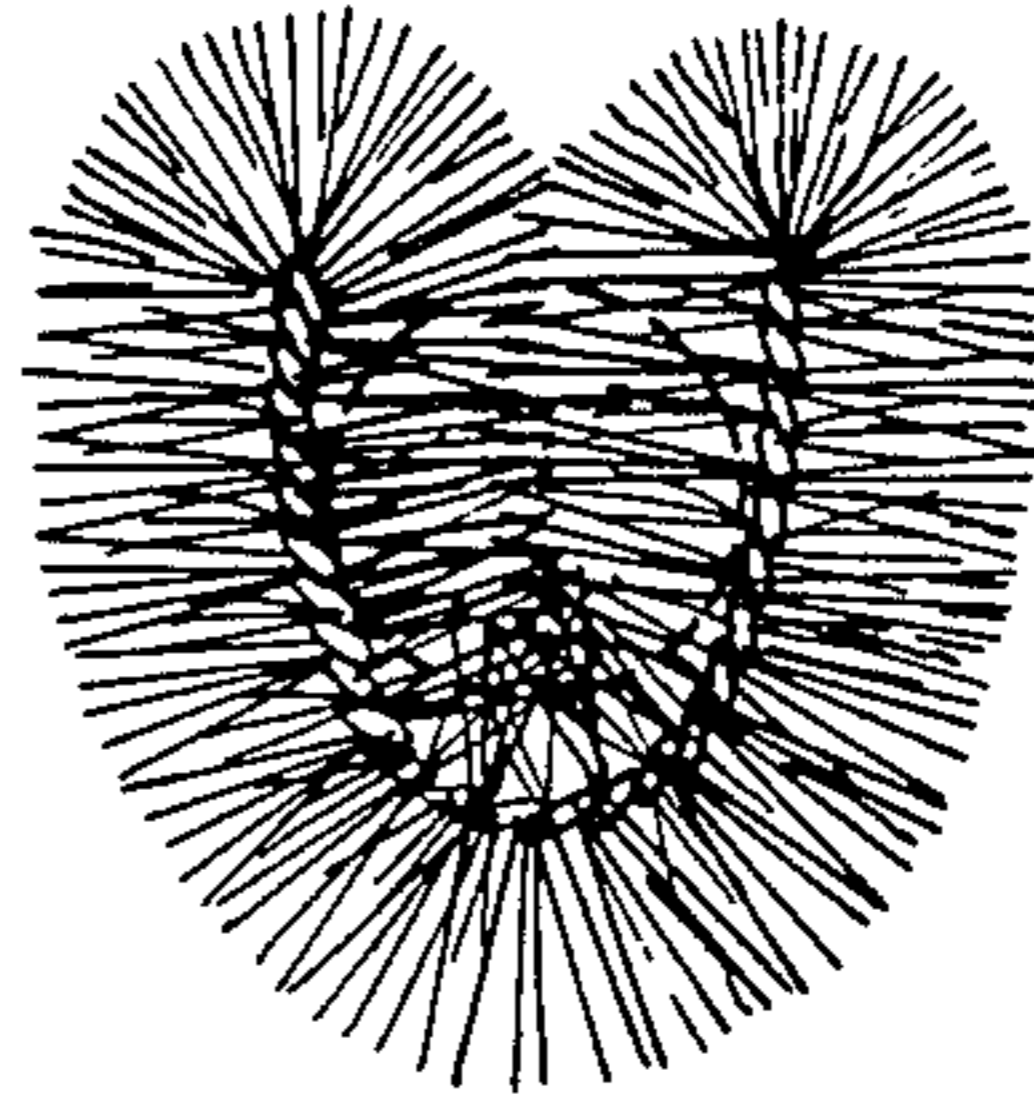


FIG. 25

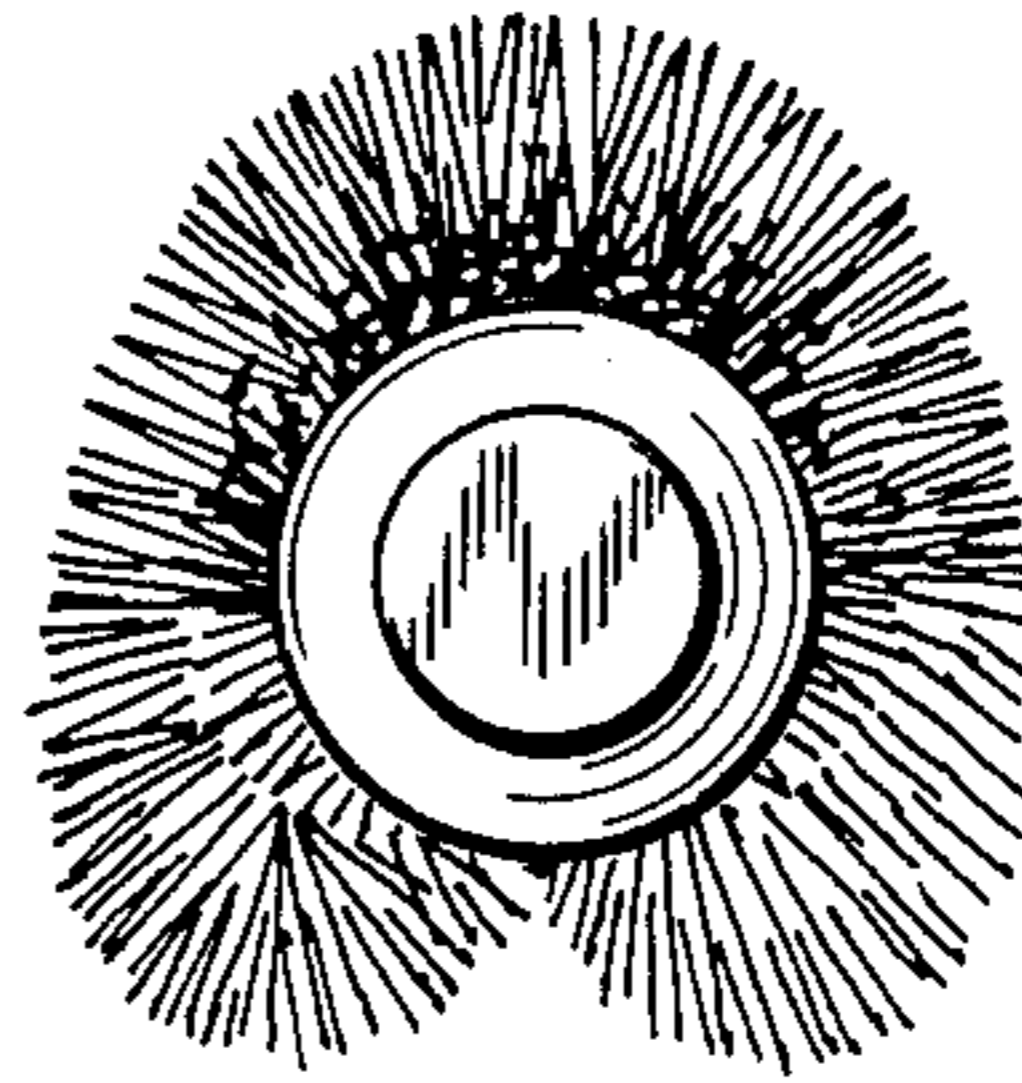


Fig. 27

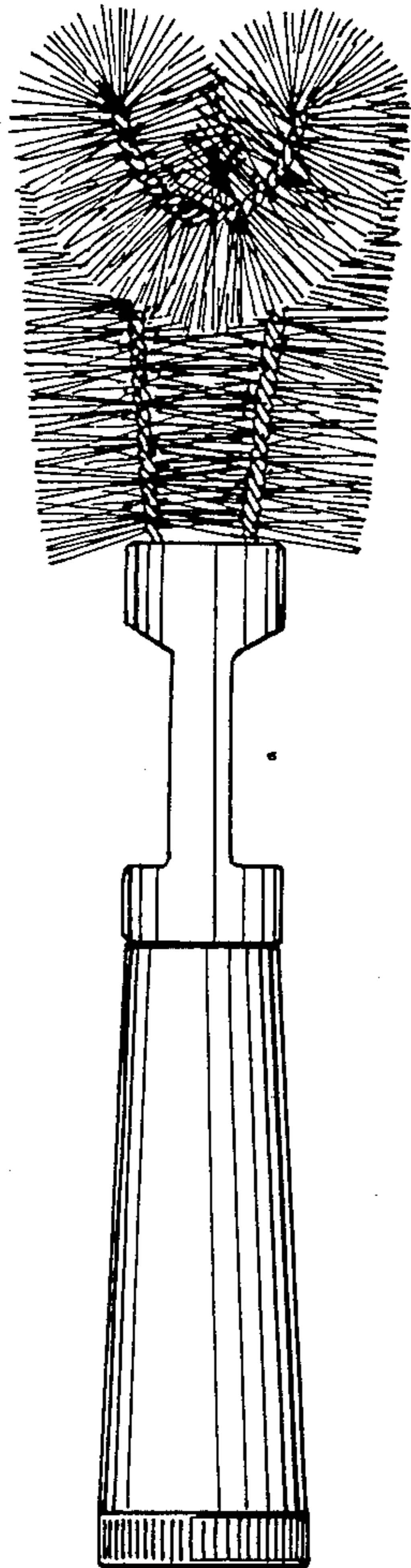


Fig. 26

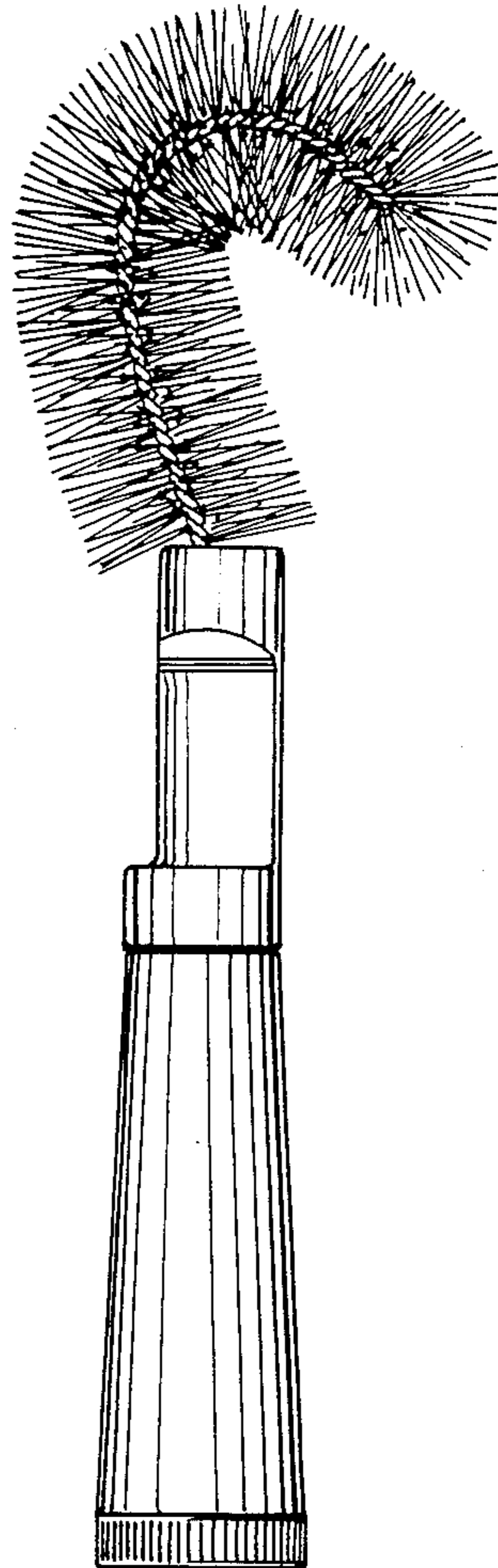


FIG. 28

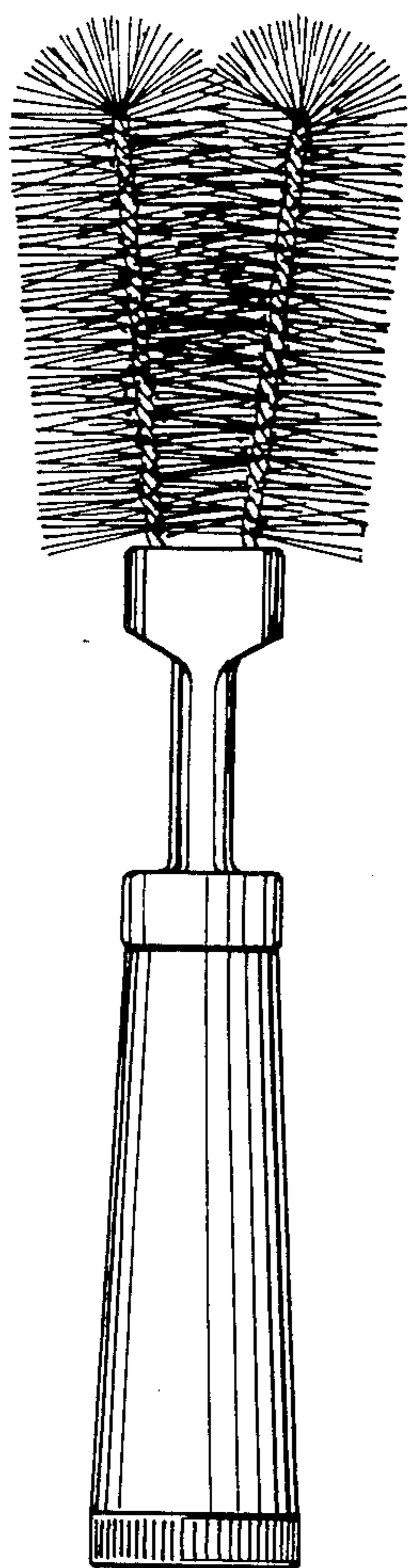


FIG. 29

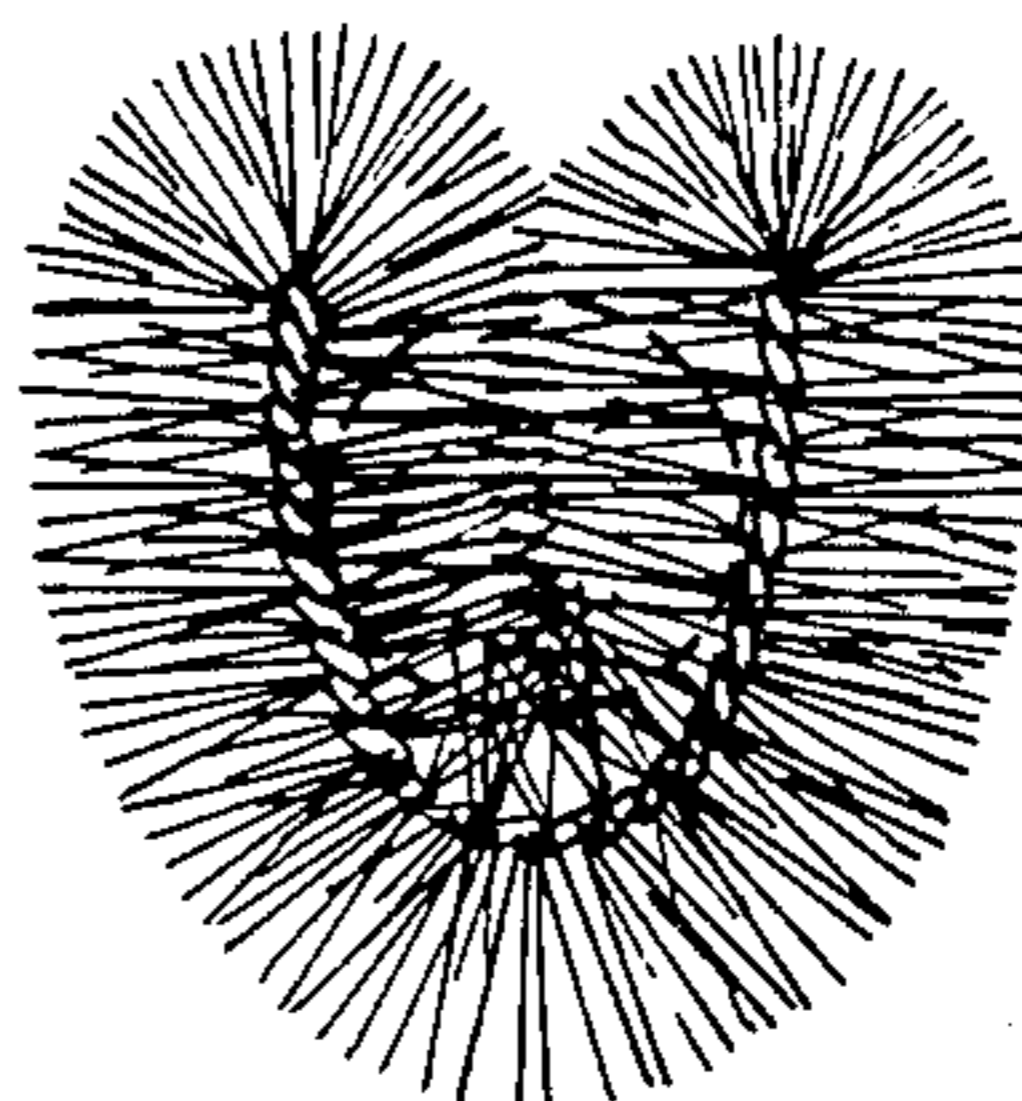


FIG. 30

