

[54] CARBIDE SCRAPER

[76] Inventor: John Longman, 9902 N. Canyon Rd., Pleasant Grove, Vt. 84062

[**] Term: 14 Years

[21] Appl. No.: 84,737

[22] Filed: Aug. 13, 1987

[52] U.S. Cl. D32/49

[58] Field of Search D32/40-43, D32/46-49; D8/47, 90; 15/236.01-236.10, 104.16, 105; 30/169, 172, 280, 286, 336-339; 122/387

2,264,374 12/1941 Henschell 30/169
4,768,254 9/1988 Bell 15/236.01

FOREIGN PATENT DOCUMENTS

126178 10/1947 Australia 15/236.05

Primary Examiner—Wallace R. Burke
Assistant Examiner—Lavone D. Tabor
Attorney, Agent, or Firm—Jerry T. Kearns

[57] CLAIM

The ornamental design for a carbide scraper, as shown and described.

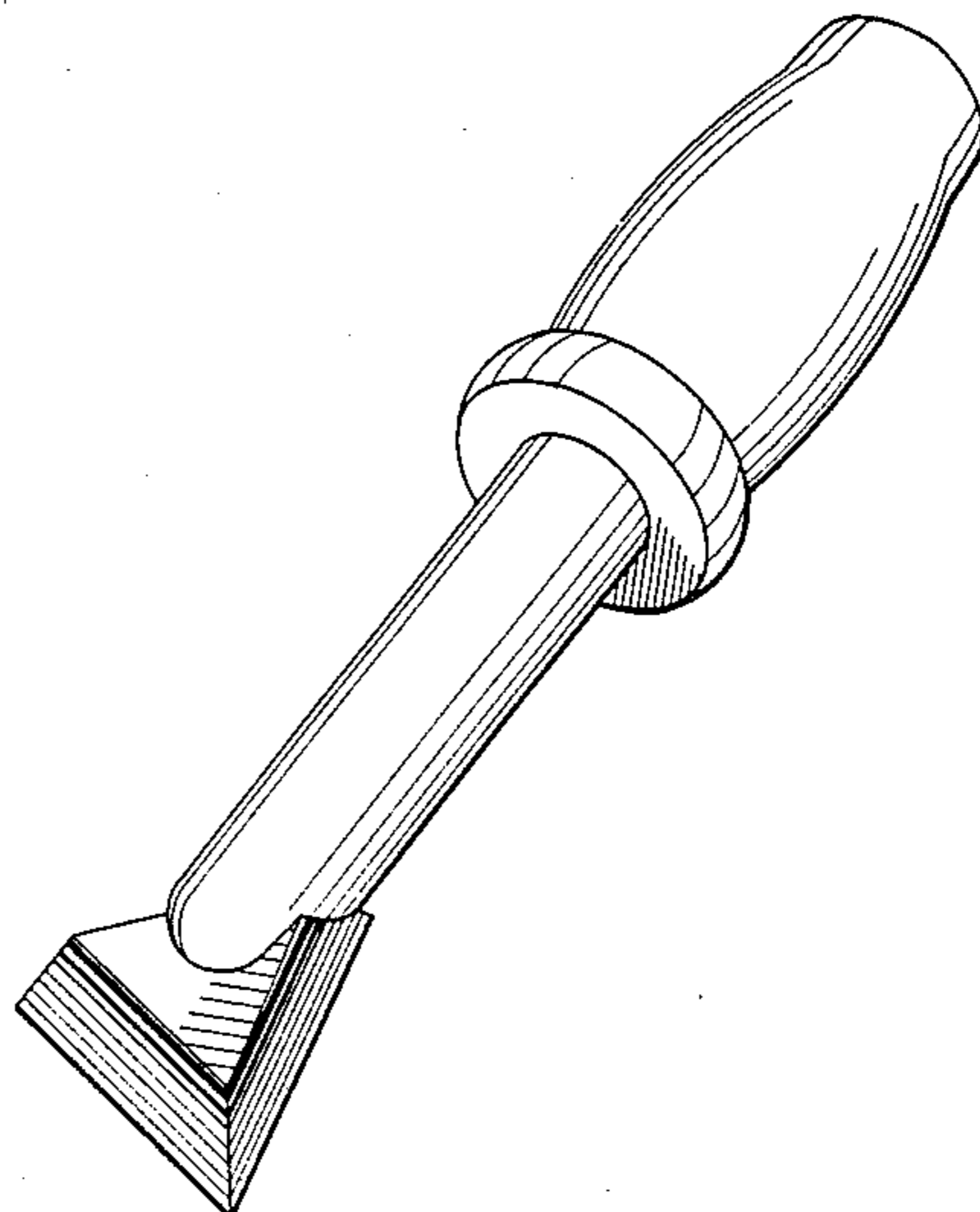
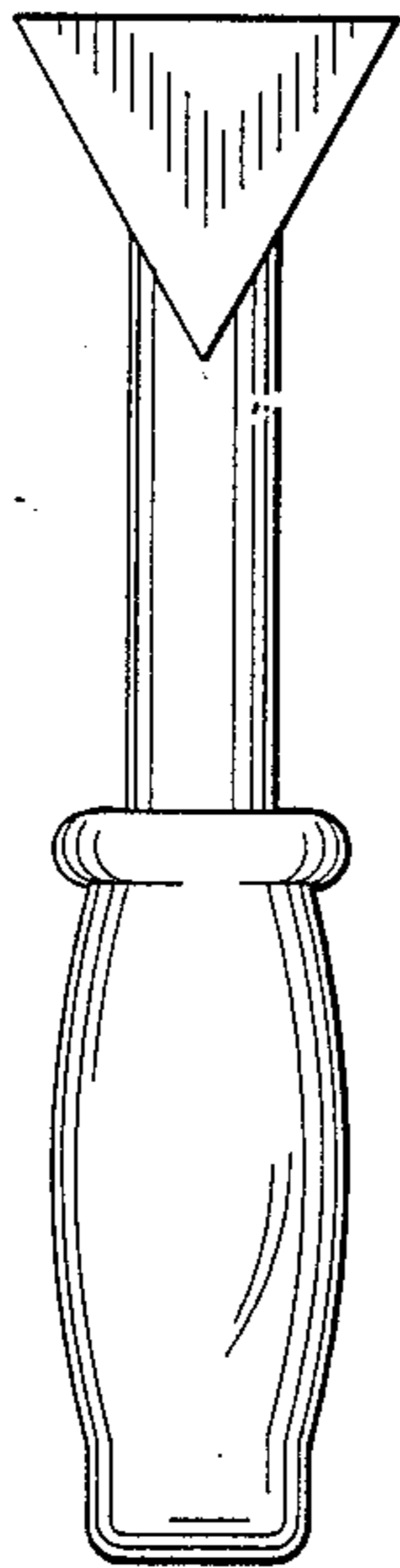
DESCRIPTION

FIG. 1 is a top plan view of a carbide scraper showing my new design;
FIG. 2 is a bottom plan view thereof;
FIG. 3 is a left side elevational view thereof;
FIG. 4 is a right side elevational view thereof;
FIG. 5 is a front end elevational view thereof;
FIG. 6 is a rear end elevational view thereof; and
FIG. 7 is a perspective view thereof.

[56] References Cited

U.S. PATENT DOCUMENTS

- D. 26,063 9/1896 Whiting D32/48
- D. 31,936 12/1899 Ladouceur et al. D32/49
- 670,120 3/1901 Van Tuyl 15/236.05 X
- 771,423 10/1902 Green et al. 15/236.08 X
- 946,723 1/1910 Coffin 15/105 X
- 1,809,228 6/1931 Ballou 15/236.08 X



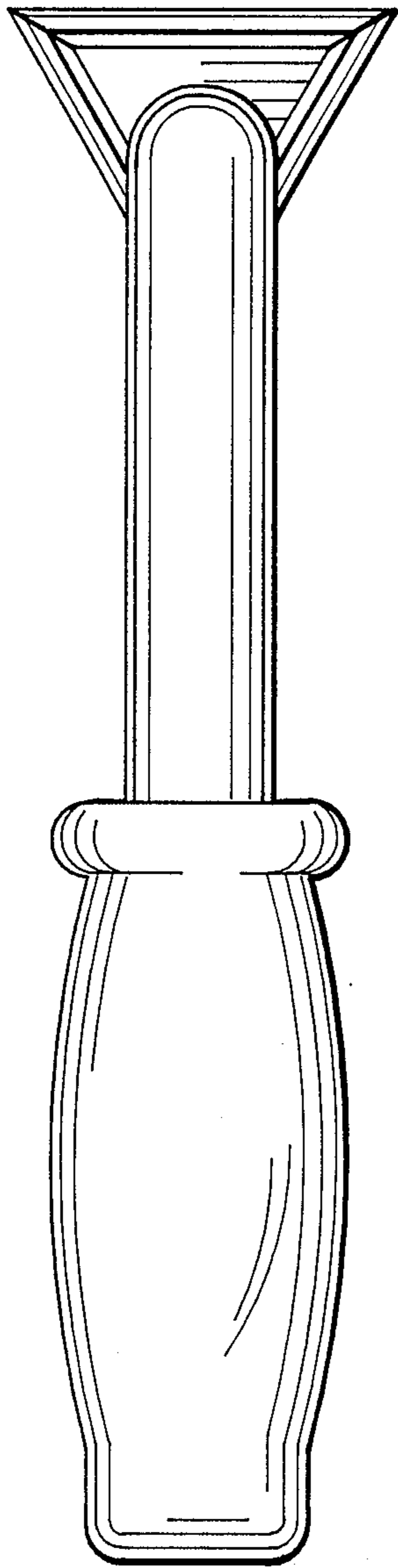


Fig. 1

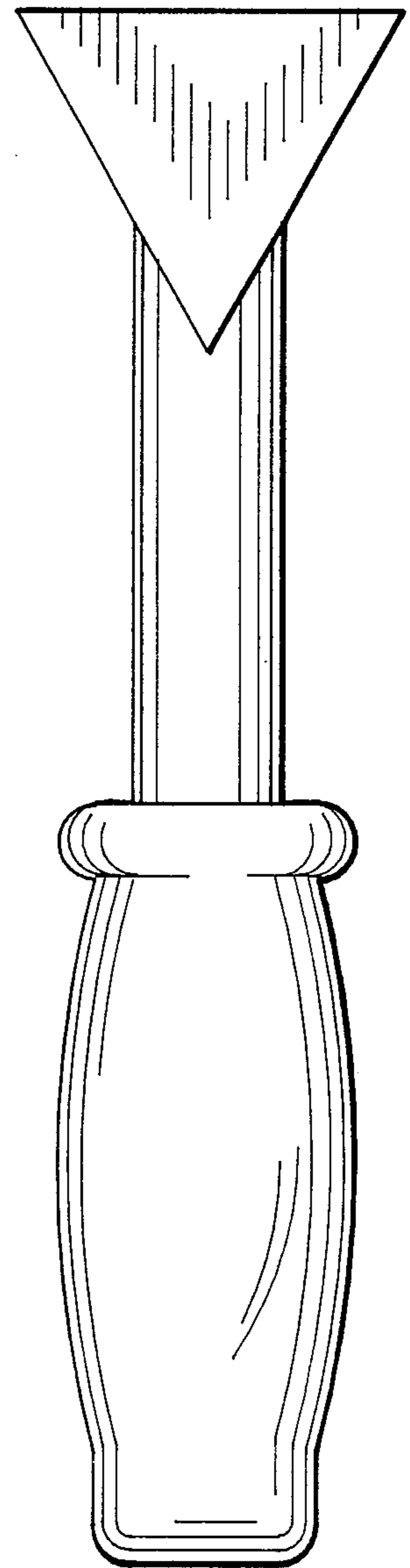


Fig. 2

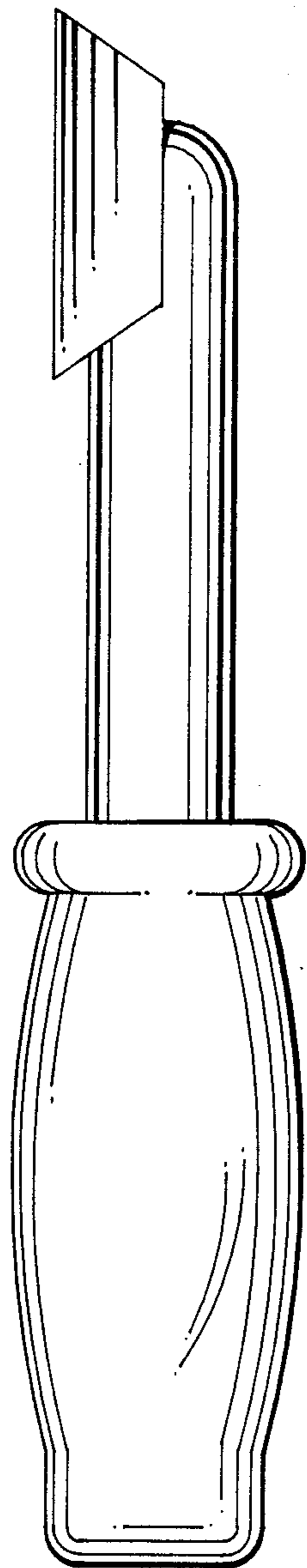


Fig. 3

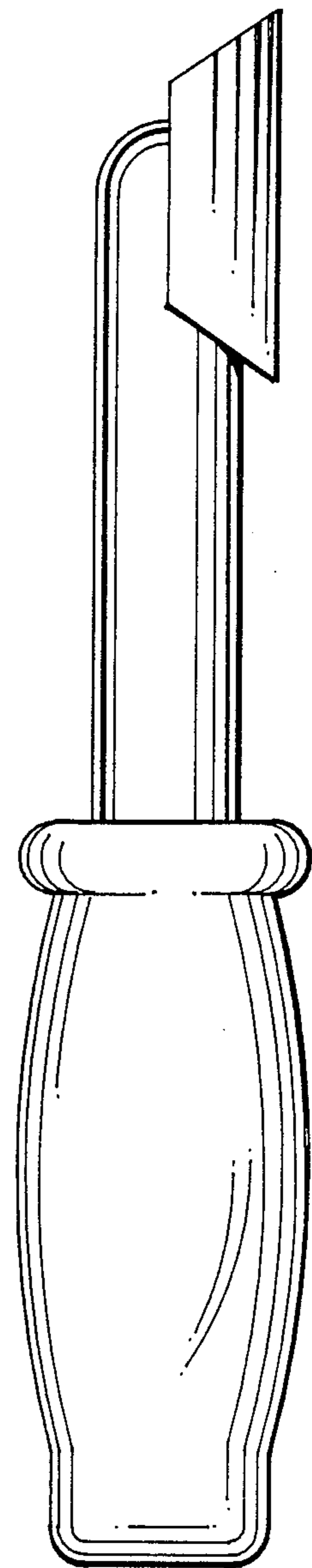


Fig. 4

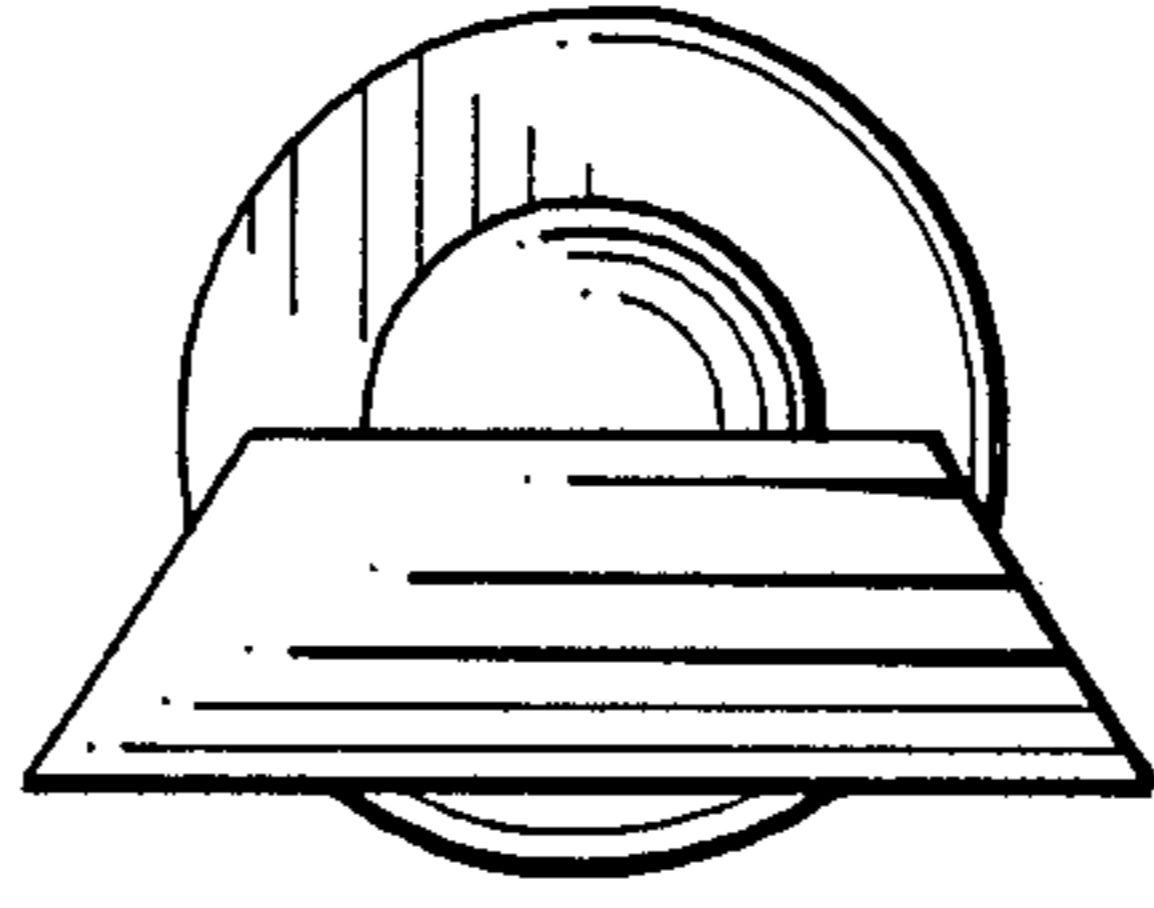


Fig. 5

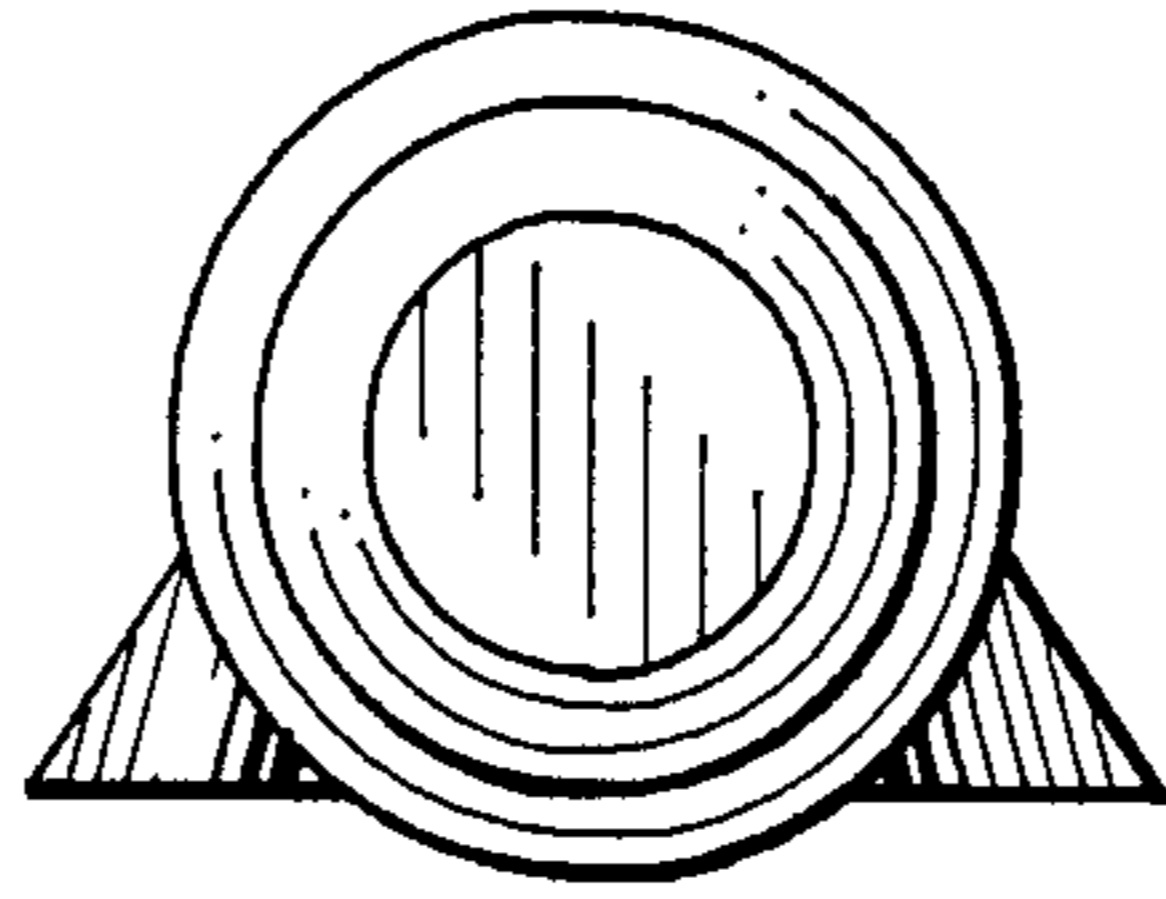


Fig. 6

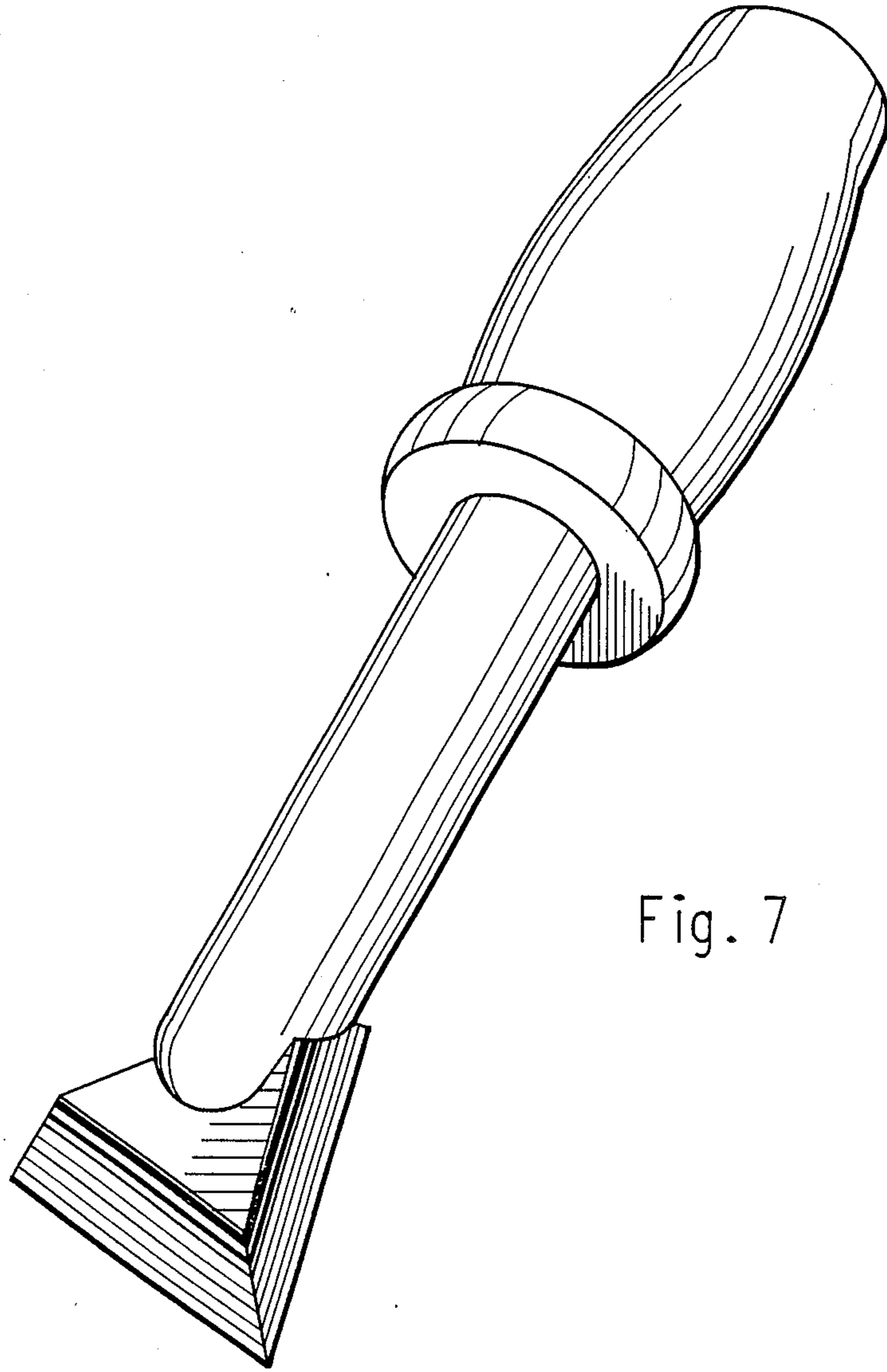


Fig. 7