

[54] **SPLASH GUARD FOR CLEANING PAINT ROLLERS**

[76] **Inventor: Terence K. O'Shea, 3 Primwood Street, Kingston, Old 4114, Australia**

[\*\*] **Term: 14 Years**

[21] **Appl. No.: 884,745**

[22] **Filed: Jul. 10, 1986**

[30] **Foreign Application Priority Data**

May 20, 1986 [AU] Australia ..... 5252/86

[52] **U.S. Cl. .... D32/35**

[58] **Field of Search ..... D32/35; D4/122, 199; 15/230.11, 246, 248 R, 248 A, 257 R; 68/213; 134/138, 149; 118/504-505; 401/147, 197, 208, 218-220**

[56] **References Cited**

**U.S. PATENT DOCUMENTS**

3,538,532	11/1970	Shortino et al. ....	15/230.11
4,051,808	10/1977	Trupp .....	118/504
4,063,325	12/1977	Lizak .....	15/248 A
4,536,913	8/1985	Morawski .....	15/248 R
4,569,099	2/1986	Harding .....	15/248 A

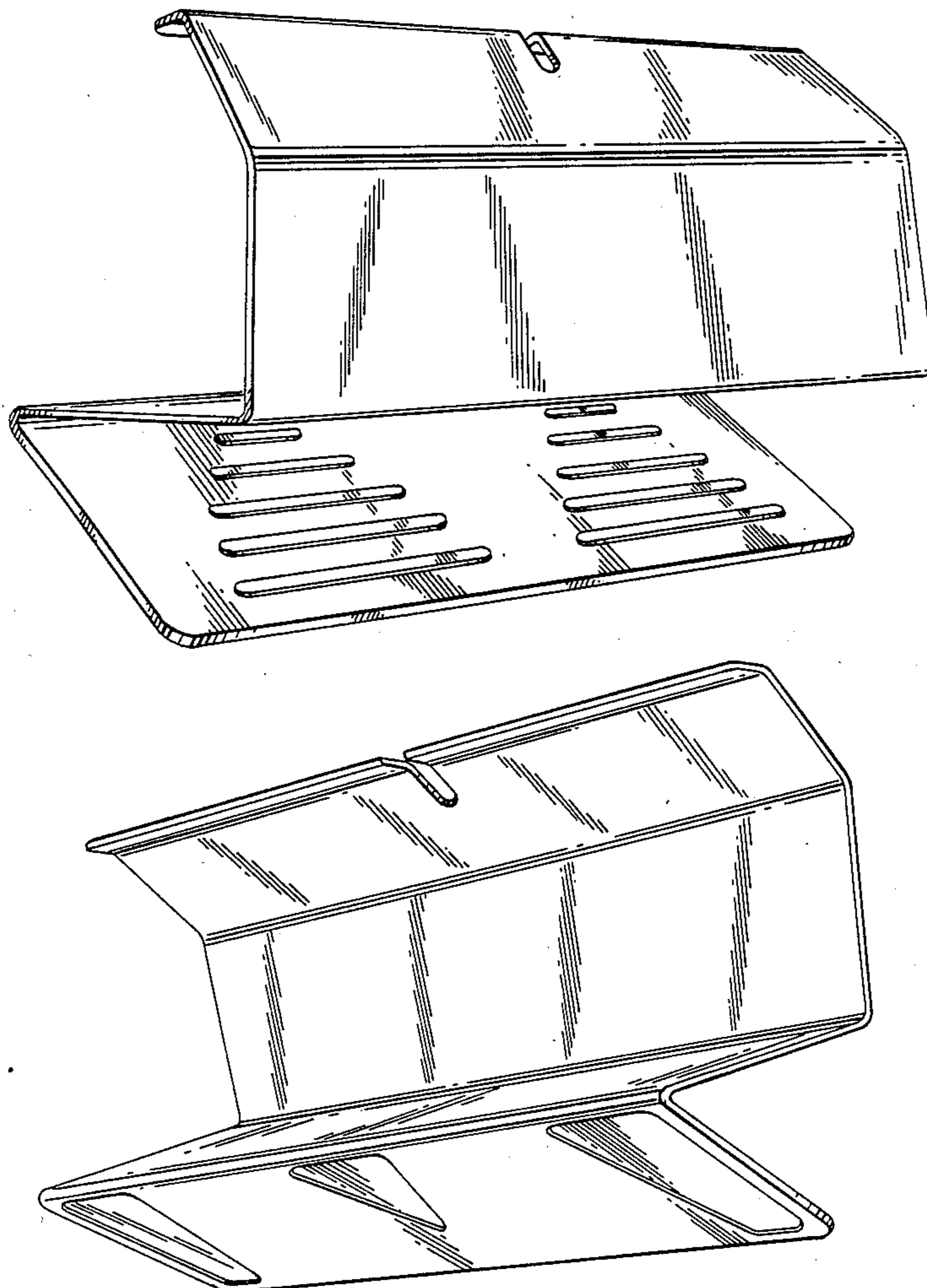
*Primary Examiner*—Wallace R. Burke  
*Assistant Examiner*—Lavone D. Tabor  
*Attorney, Agent, or Firm*—McAulay Fisher Nissen & Goldberg

[57] **CLAIM**

The ornamental design for a splash guard for cleaning paint rollers, as shown and described.

**DESCRIPTION**

FIG. 1 is a front perspective view of a splash guard for cleaning paint rollers showing my new design; FIG. 2 is a top plan view thereof; and FIG. 3 is a rear perspective view thereof.



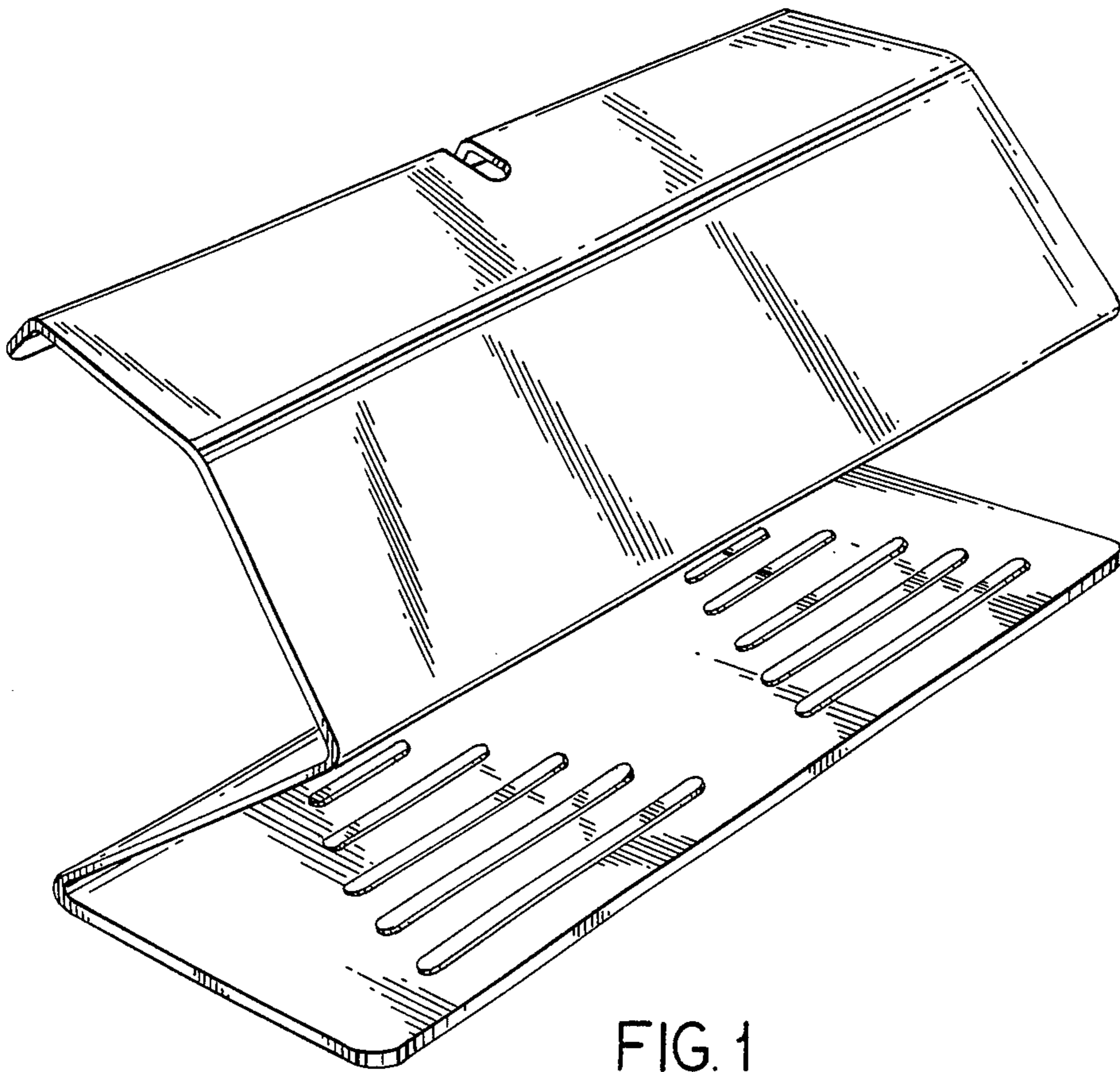


FIG. 1

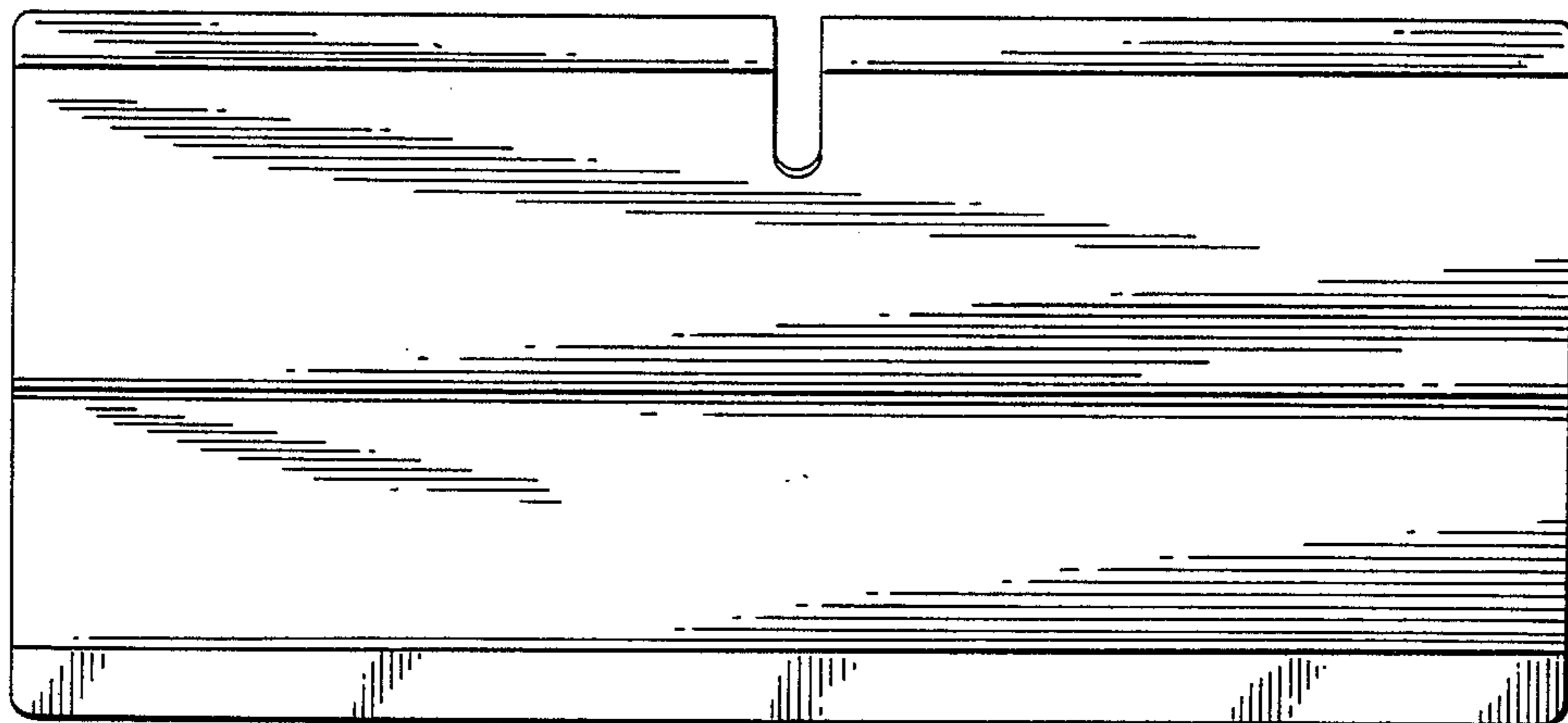


FIG. 2

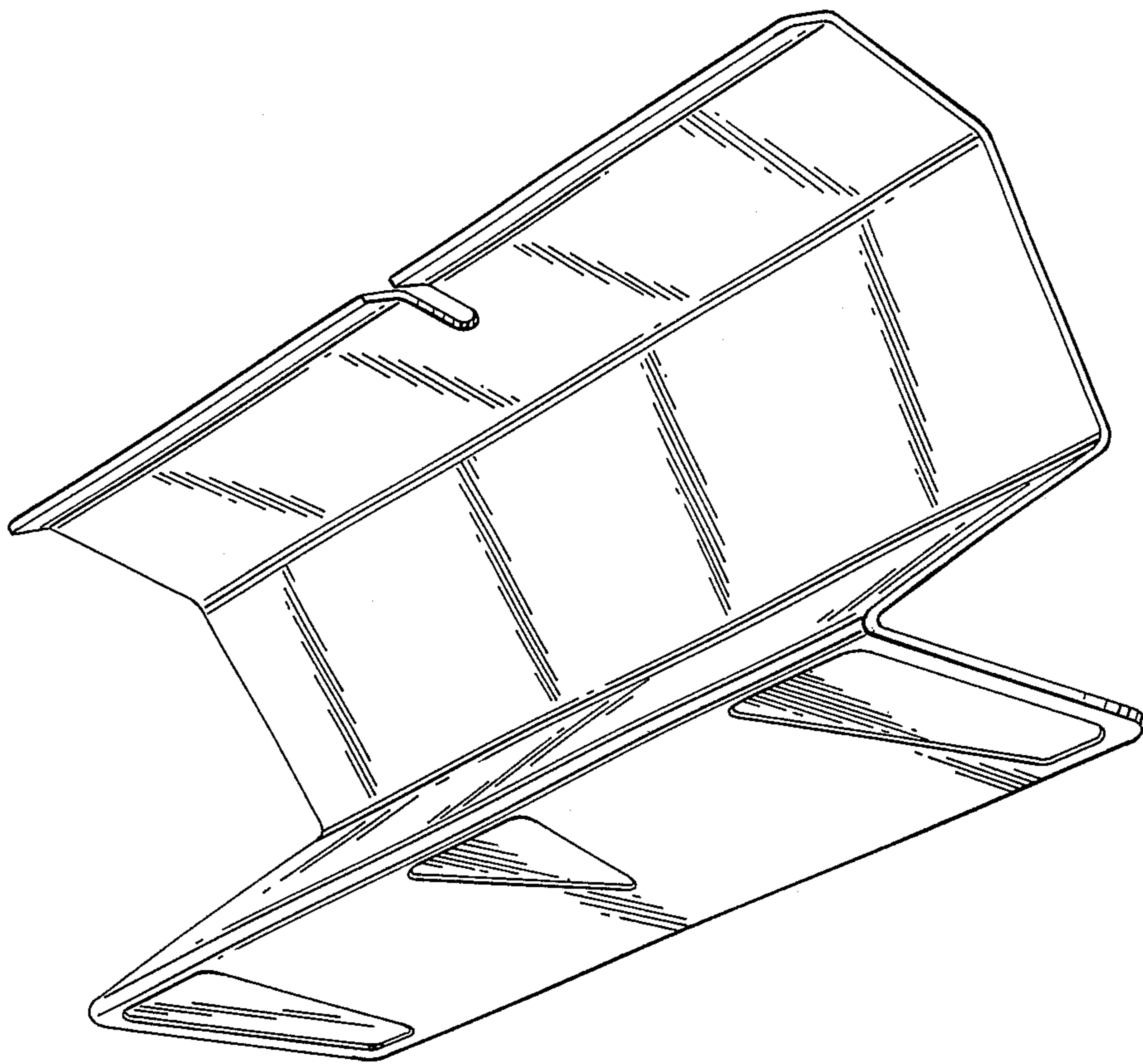


FIG. 3