

[54] **COMBINED RAZOR AND BLADE COVER THEREOF**

[75] **Inventor: Kenneth Gyllerstrom, Athens, Greece**
 [73] **Assignee: Bic Corporation, Milford, Conn.**
 [**] **Term: 14 Years**
 [21] **Appl. No.: 142,776**
 [22] **Filed: Jan. 11, 1988**

[30] **Foreign Application Priority Data**

Jul. 9, 1987 [FR] France 87 4086
 [52] **U.S. Cl. D28/46**
 [58] **Field of Search D28/44-54; 30/32, 34 R, 34.1, 41, 41.5, 47, 48, 50, 90, 84-86**

[56] **References Cited**

U.S. PATENT DOCUMENTS

D. 161,779	1/1951	Muller-Munk et al.	D28/46
D. 174,036	2/1955	Glaberson	D28/46
D. 202,427	9/1965	Ferrier, Jr.	D28/47
D. 229,876	1/1974	Glaberson	D28/46
D. 241,583	9/1976	Asano	D28/46
D. 242,661	12/1976	Gray	D28/46
D. 245,460	8/1977	Poisson	D28/46
D. 248,578	7/1978	Byrne	D28/48
D. 249,968	10/1978	Kiraly	D28/46
D. 255,387	6/1980	Glaberson	D28/48
D. 258,016	1/1981	Pace	D28/46
D. 260,191	8/1981	Chase et al.	D28/46
3,172,202	3/1965	Sooter	D28/46
3,399,455	9/1968	Steere, Jr.	D28/47 X
4,037,322	7/1977	Bresler	D28/48 X
4,442,598	4/1984	Jacobson	30/47
4,502,217	3/1985	Schachter	30/82
4,709,476	12/1987	Shurtleff et al.	30/84

FOREIGN PATENT DOCUMENTS

64526 4/1980 Greece .

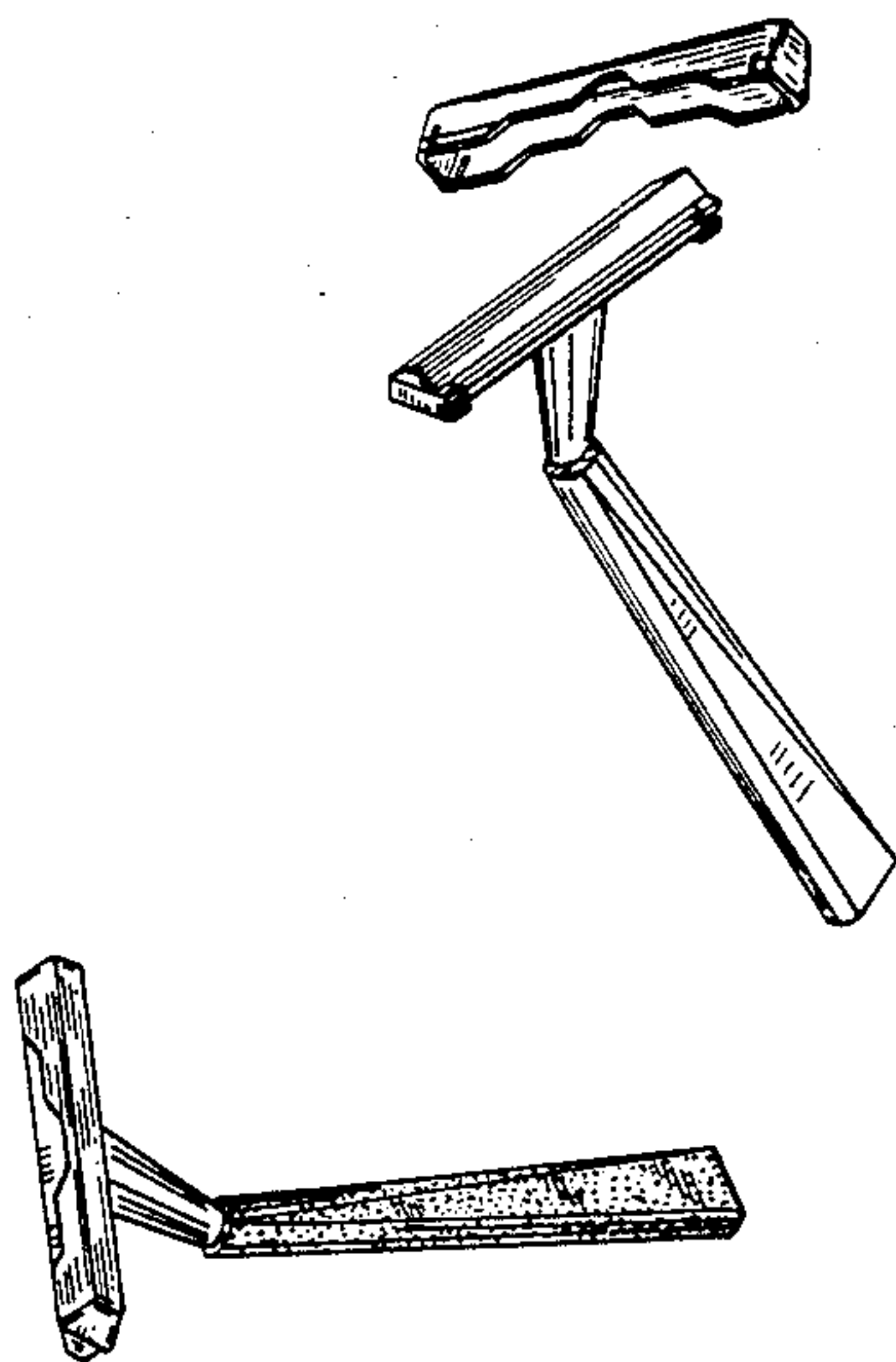
Primary Examiner—Louis S. Zarfaz
Attorney, Agent, or Firm—Pennie & Edmonds

[57] **CLAIM**

The ornamental design for a combined razor and blade cover therefor, as shown and described.

DESCRIPTION

FIG. 1 is an exploded bottom perspective view of a combined razor and blade cover therefor showing my new design. This FIG. illustrates one embodiment wherein the main gripping portion of the handle is the same color as the remaining portion of the razor;
 FIG. 2 is a bottom perspective view of a combined razor and blade cover therefor showing the preferred embodiment of my new design wherein the main gripping portion of the handle is a different color, preferably black, than the remaining portion of the razor, which is preferably white;
 FIG. 3 is a bottom plan view with the blade cover removed;
 FIG. 4 is a top plan view thereof;
 FIG. 5 is a front elevational view thereof;
 FIG. 6 is a rear elevational view thereof;
 FIG. 7 is a right side elevational view thereof;
 FIG. 8 is a left side elevational view thereof;
 FIG. 9 is a rear elevational view of the blade cover alone;
 FIG. 10 is a front elevational view thereof;
 FIG. 11 is a left side elevational view thereof;
 FIG. 12 is a right side elevational view thereof;
 FIG. 13 is a top plan view thereof;
 FIG. 14 is a bottom plan view thereof; and
 FIG. 15 is a bottom plan view of the razor of FIG. 2 with the cover removed; and
 FIG. 16 is a top plan view of the razor of FIG. 2 with the cover removed.



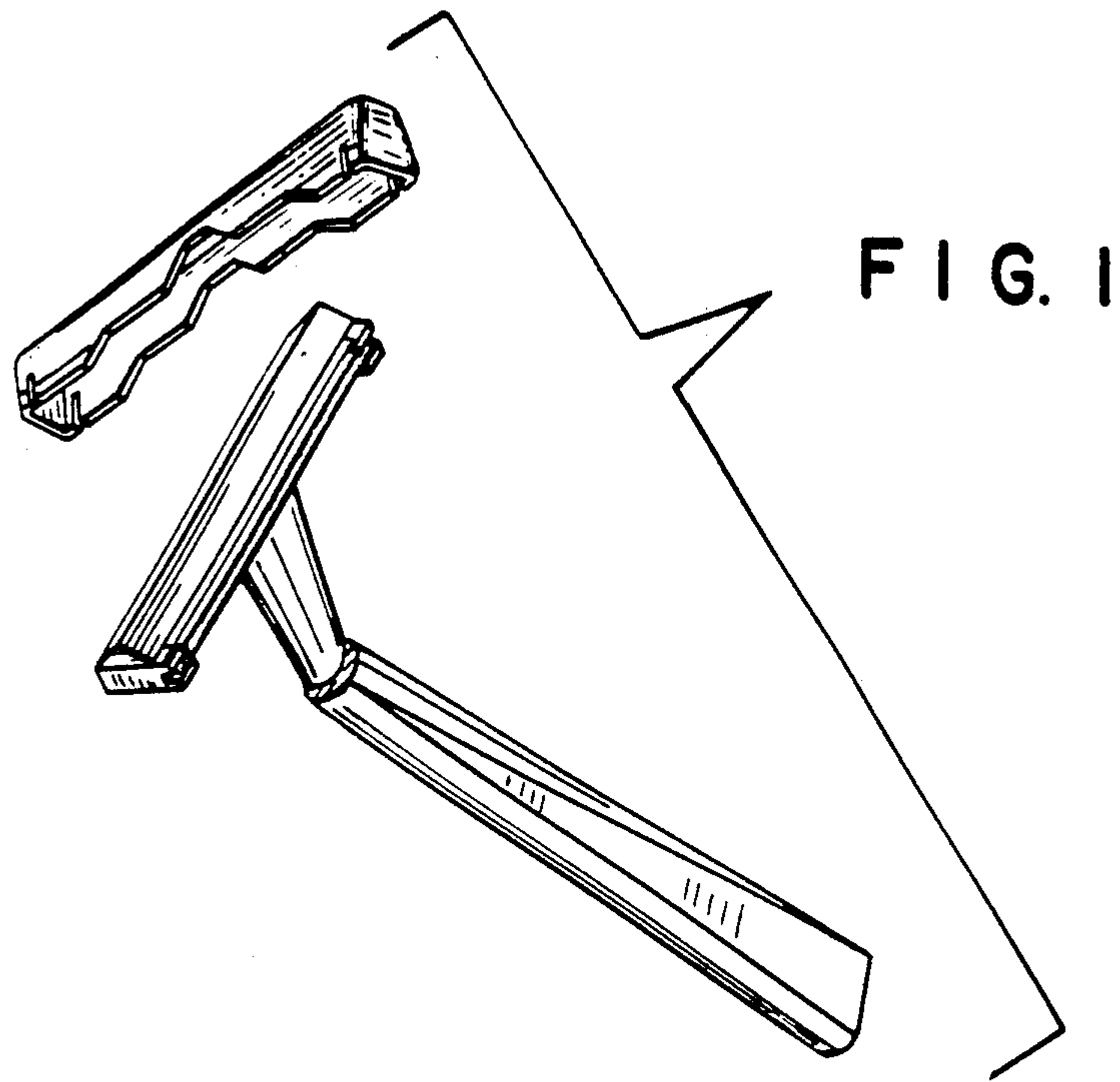


FIG. 2

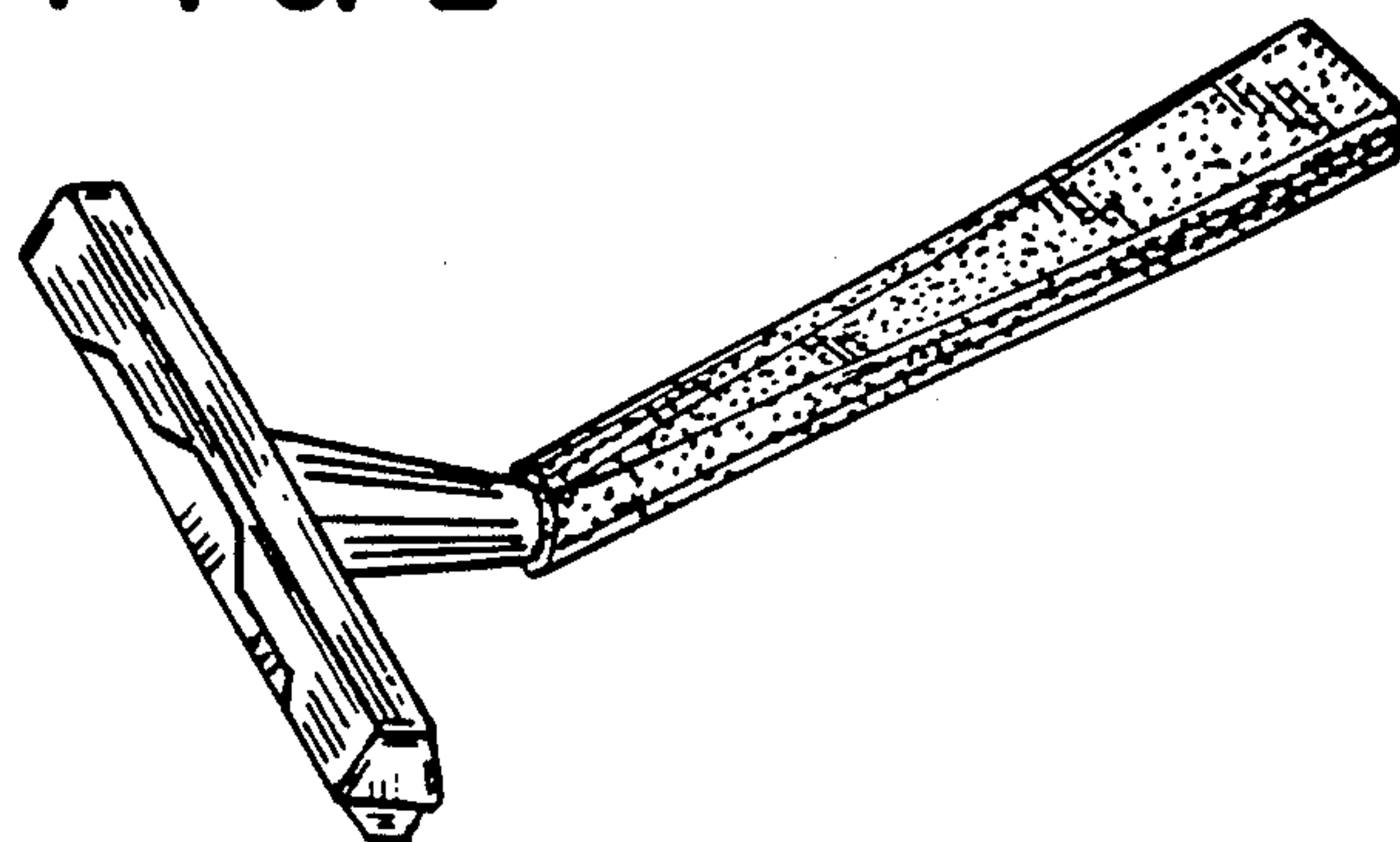


FIG. 3

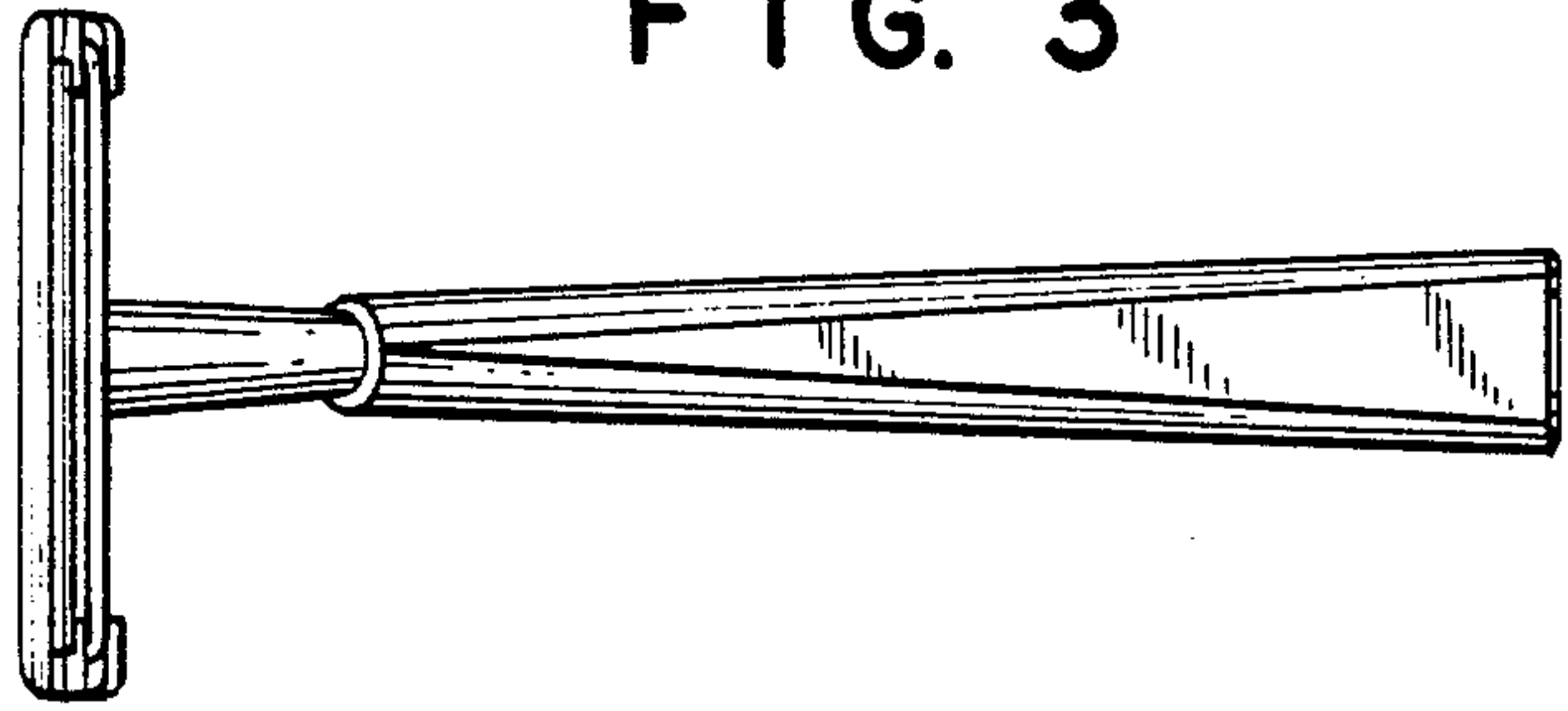


FIG. 4

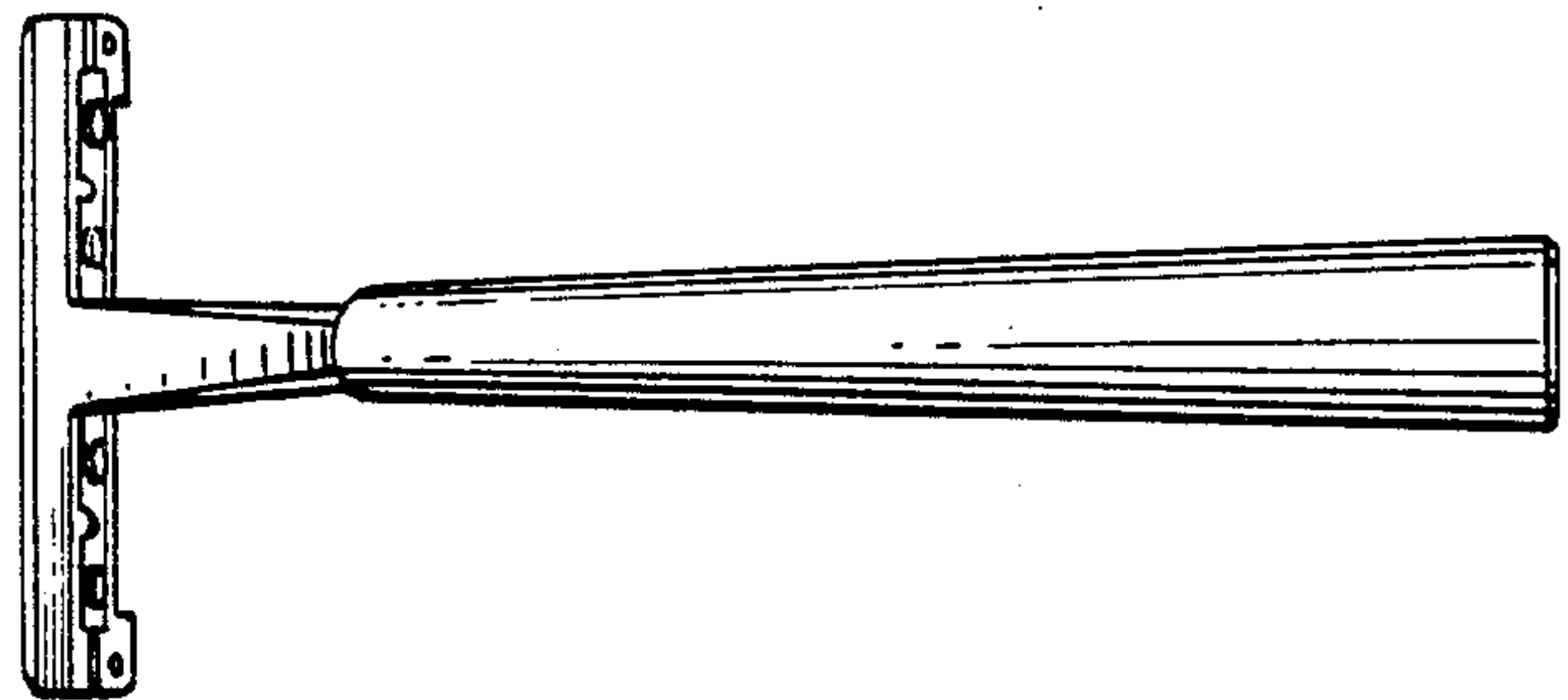


FIG. 5

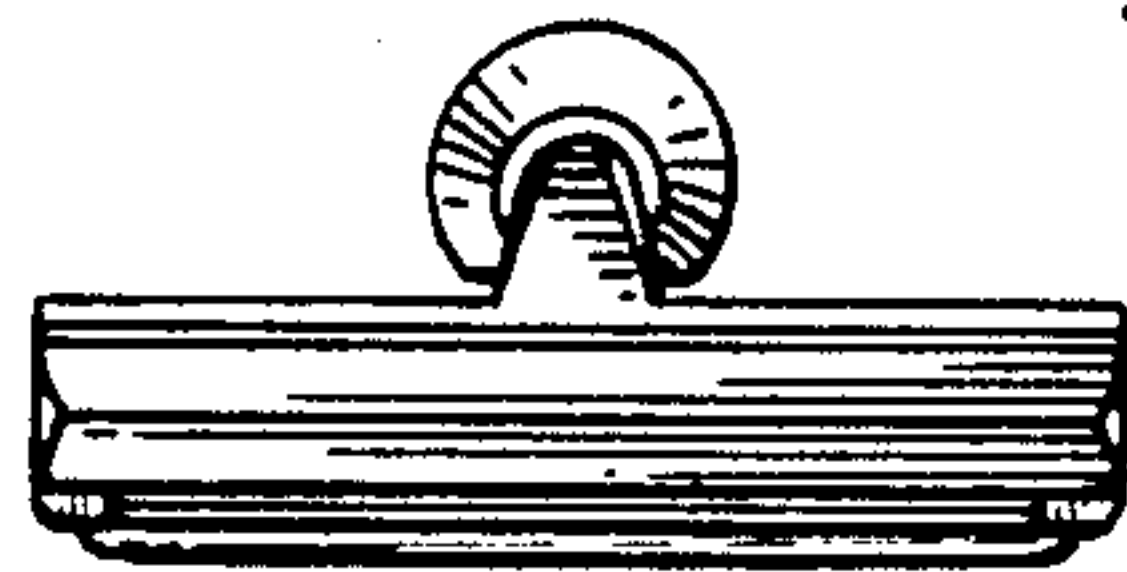


FIG. 6

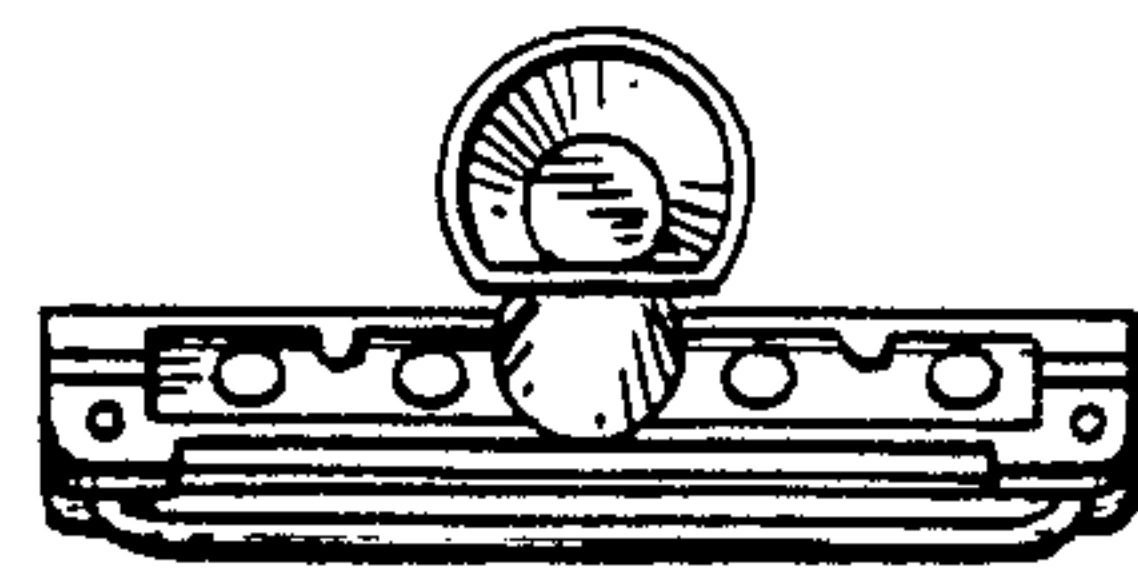


FIG. 7

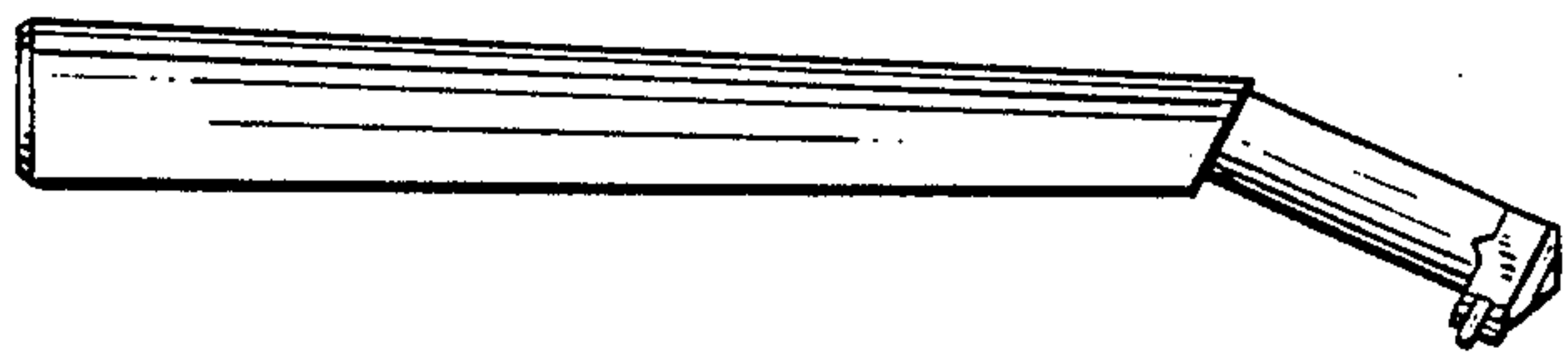
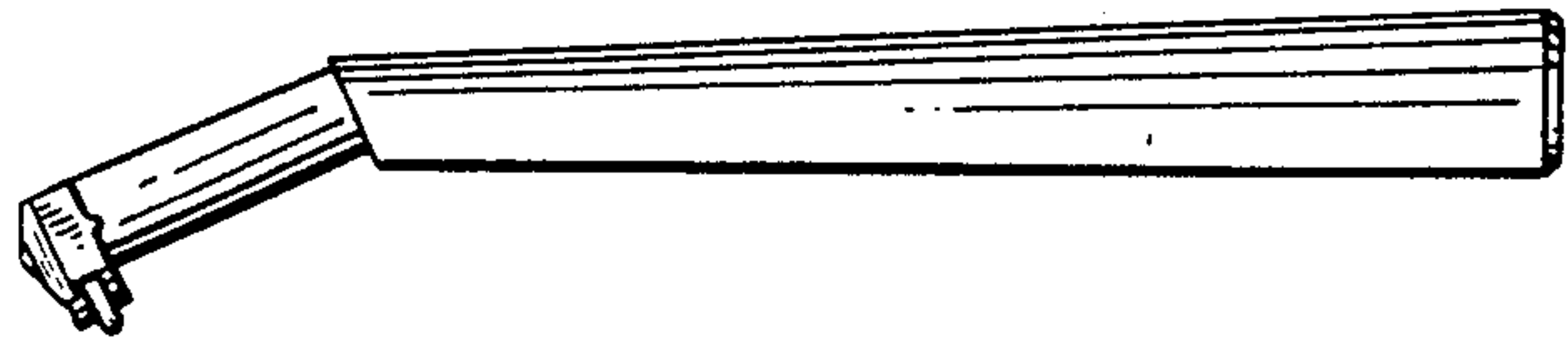


FIG. 8

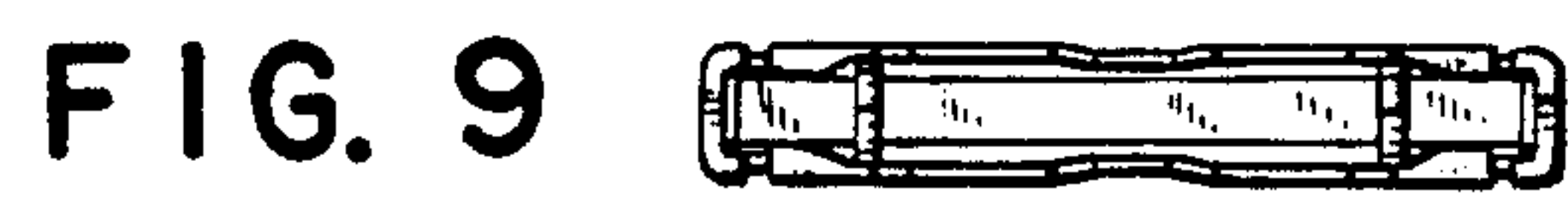


FIG. 11

FIG. 12



FIG. 15

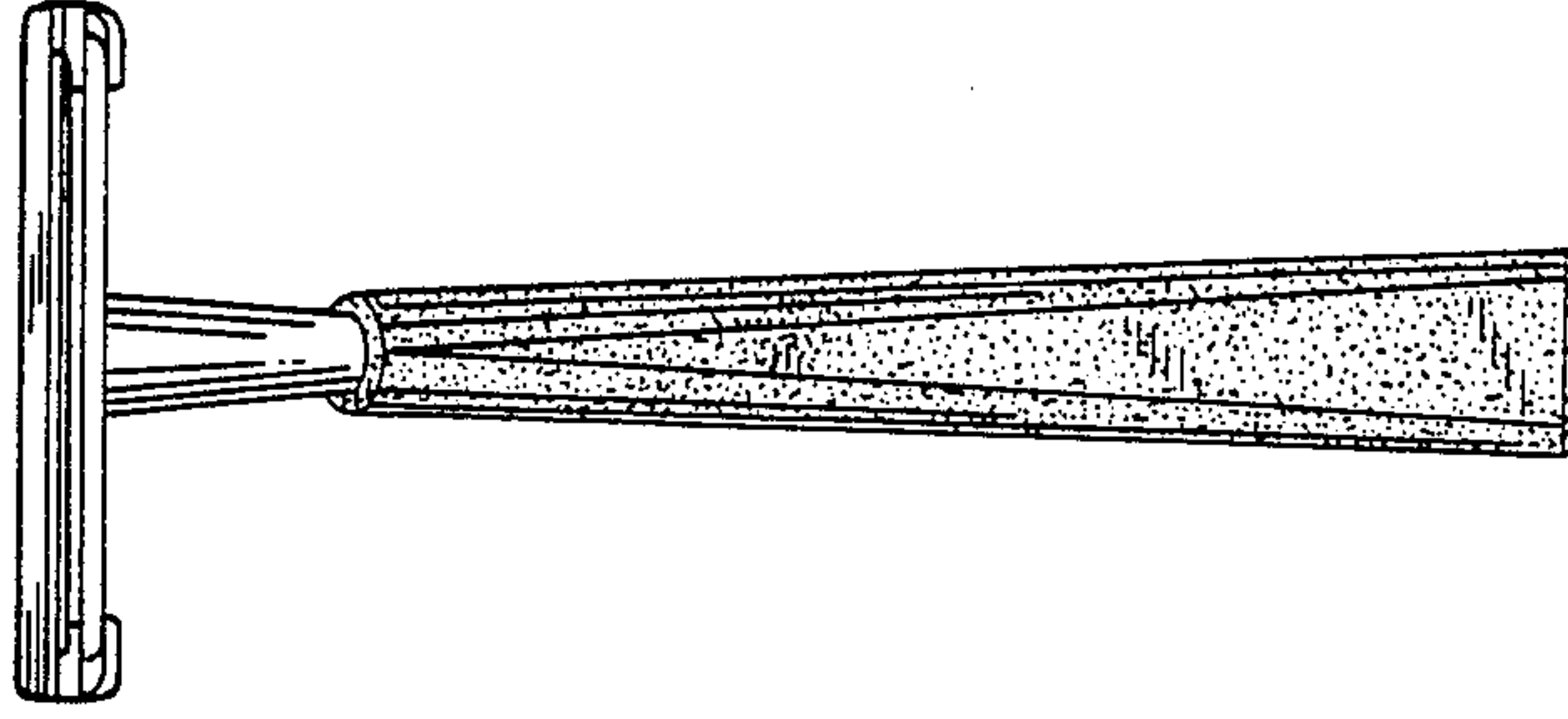


FIG. 16

