

[54] HAIR ORNAMENT

[76] Inventors: Michel Drouin, Place Benoit Raclet, 71570 Romaneche Thorins; Gilles Morand, Rue Dunant, 01250 Ceyzeriat, both of France

[**] Term: 14 Years

[21] Appl. No.: 182,832

[22] Filed: Apr. 18, 1988

[52] U.S. Cl. D28/41

[58] Field of Search 132/60, 273, 280, 281, 132/283; D28/28, 29, 32, 39-43

[56] References Cited

U.S. PATENT DOCUMENTS

182,559 9/1876 Clough 132/280

715,600 12/1902 Pomeroy 132/61
1,358,139 11/1920 Dies 132/280
1,447,409 3/1923 Breeding 132/280
2,227,451 1/1941 Huppert D28/32

Primary Examiner—Bernard Ansher
Assistant Examiner—David Jeo
Attorney, Agent, or Firm—Browdy and Neimark

[57] CLAIM

The ornamental design for a hair ornament, as shown.

DESCRIPTION

FIG. 1 is a front elevational view of a hair ornament showing our new design;
FIG. 2 is a rear elevational view thereof;
FIG. 3 is a left side elevational view thereof;
FIG. 4 is a right side elevational view thereof;
FIG. 5 is a top plan view thereof; and
FIG. 6 is a bottom plan view thereof.

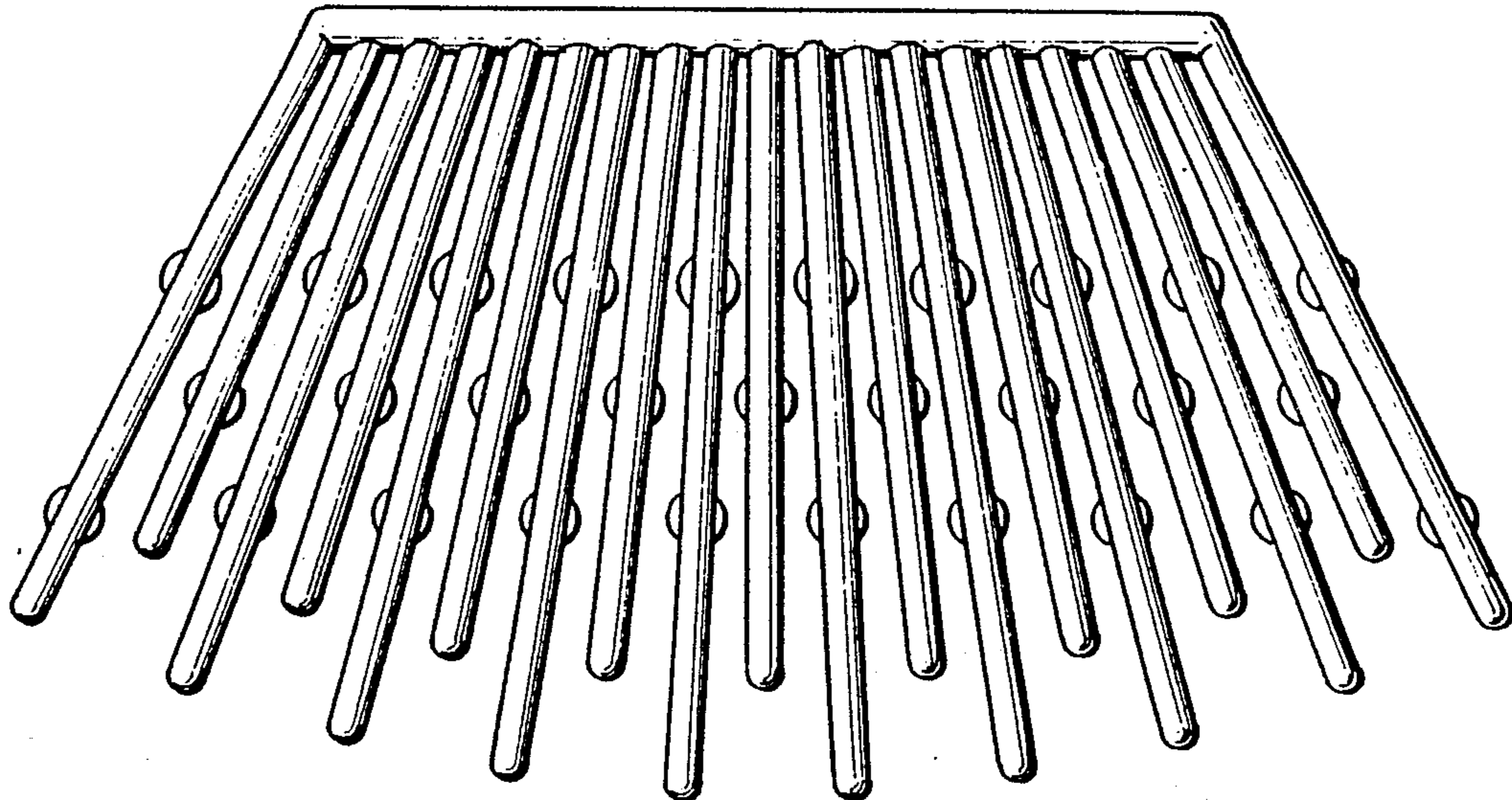


FIG. 1

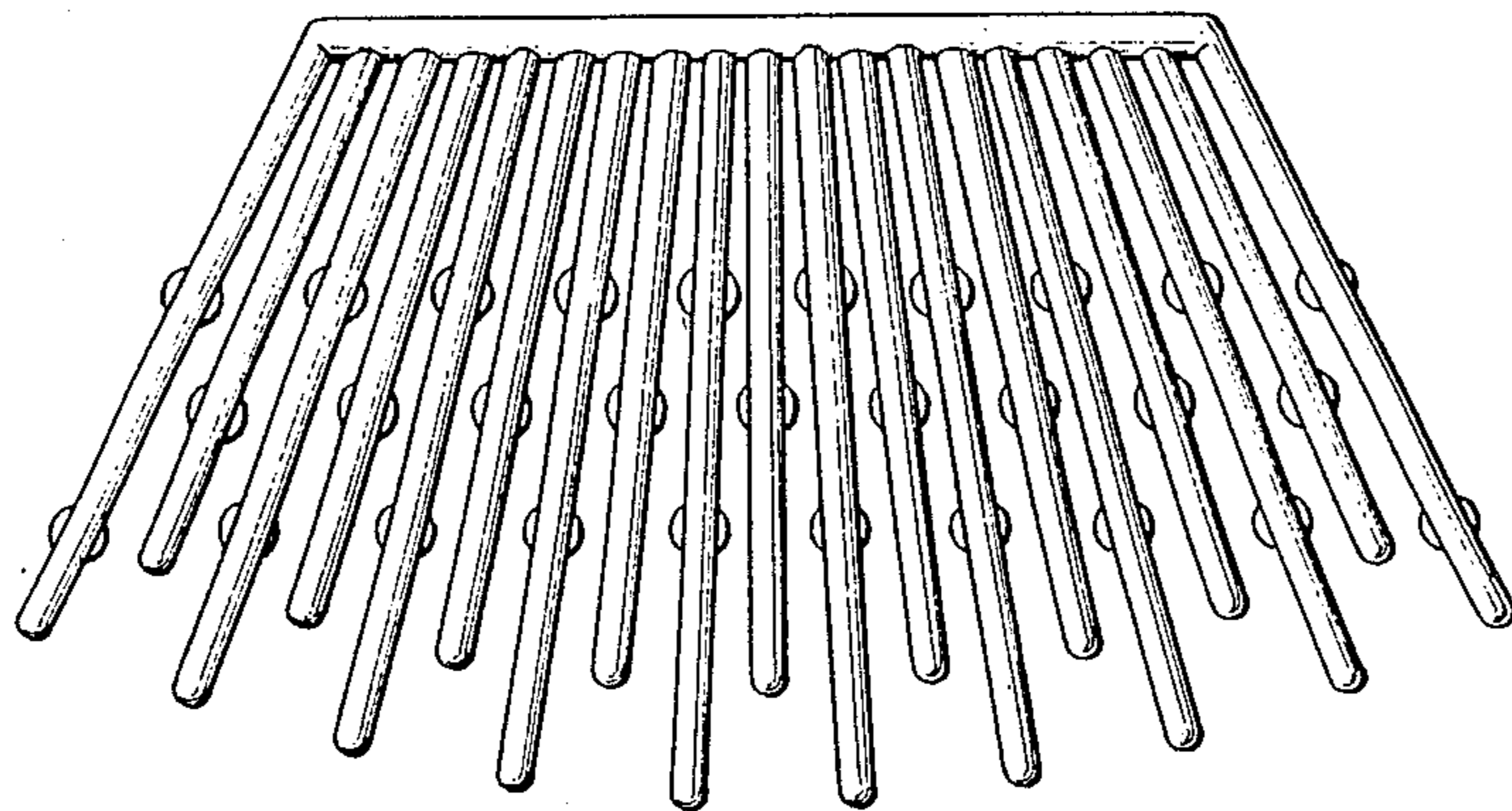


FIG. 2

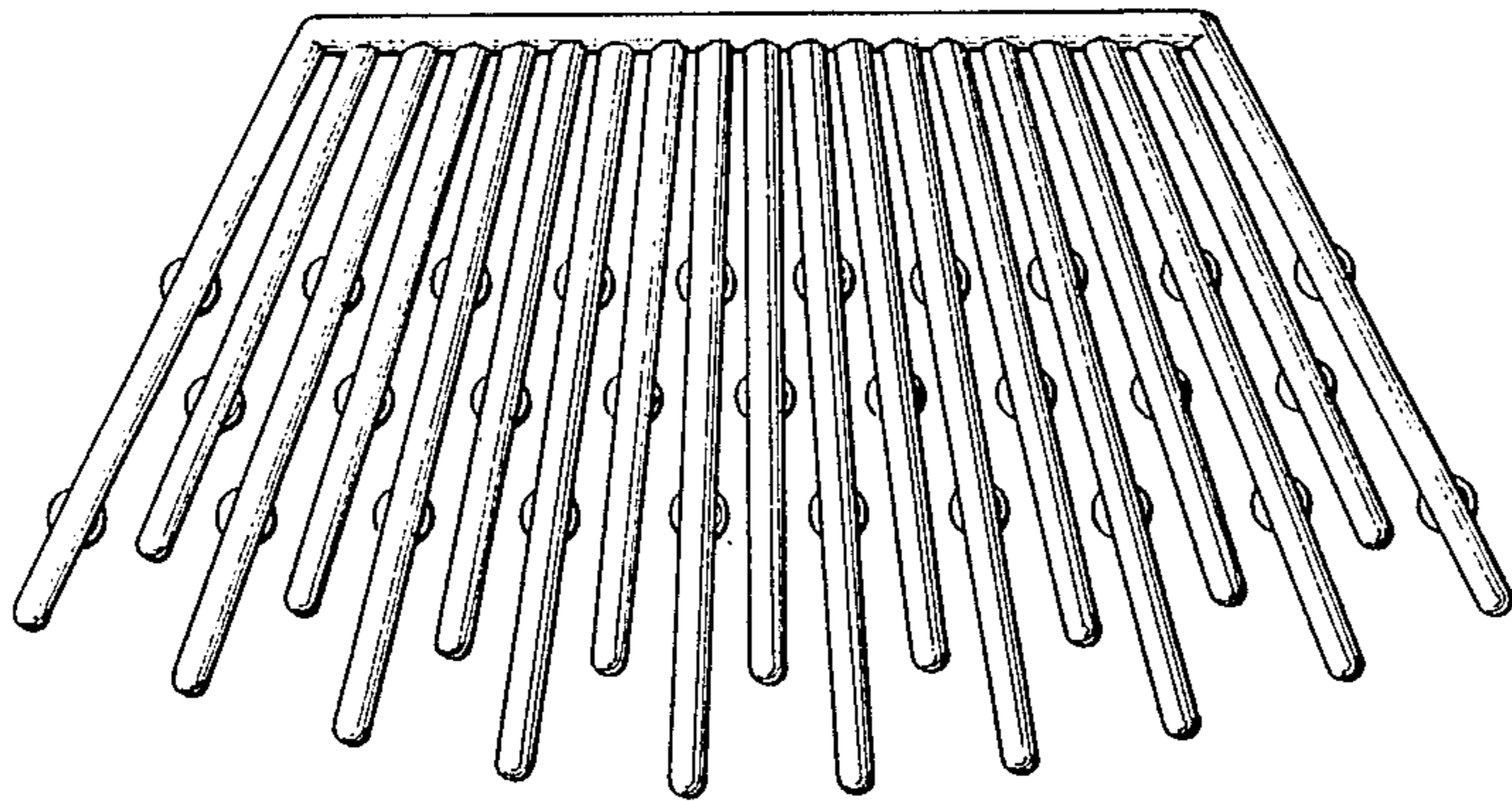


FIG. 3

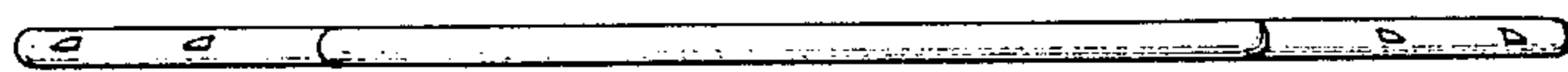


FIG. 4

FIG. 5



FIG. 6