

[54] **COVER PLATE FOR A CEILING FAN**

4,493,011 1/1985 Spector 362/96

[75] **Inventor: Jean C. Mason, Hollywood, Calif.**

[73] **Assignee: Casablanca Fan Company, Inc., City of Industry, Calif.**

[**] **Term: 14 Years**

[21] **Appl. No.: 56,752**

[22] **Filed: Jun. 1, 1987**

[52] **U.S. Cl. D23/411**

[58] **Field of Search D23/411, 413, 412, 385, D23/314, 370, 377, 379; 361/383, 384; 415/121.2; 416/247 R; 362/405, 96, 373**

[56] **References Cited**

U.S. PATENT DOCUMENTS

- D. 262,735 1/1982 Wooden D23/413
- D. 270,943 10/1983 Dennis D23/411
- 3,220,484 11/1965 Elmer D23/413

OTHER PUBLICATIONS

Texas Fan Accessory Co., Inc. Catalogue, p. 3, top right side of page—52" Radial Cover Plate.

Primary Examiner—James M. Gandy
Assistant Examiner—Lisa Lichtenstein
Attorney, Agent, or Firm—Charles H. Schwartz;
Ellsworth R. Roston

[57] **CLAIM**

The ornamental design for a cover plate for a ceiling fan, as shown and described.

DESCRIPTION

FIG. 1 is a perspective view of a cover plate for a ceiling fan, showing my new design.
FIG. 2 is a top plan view thereof.
FIG. 3 is a side elevational view thereof, the opposite side being a mirror image of that shown.
FIG. 4 is a bottom plan view thereof.

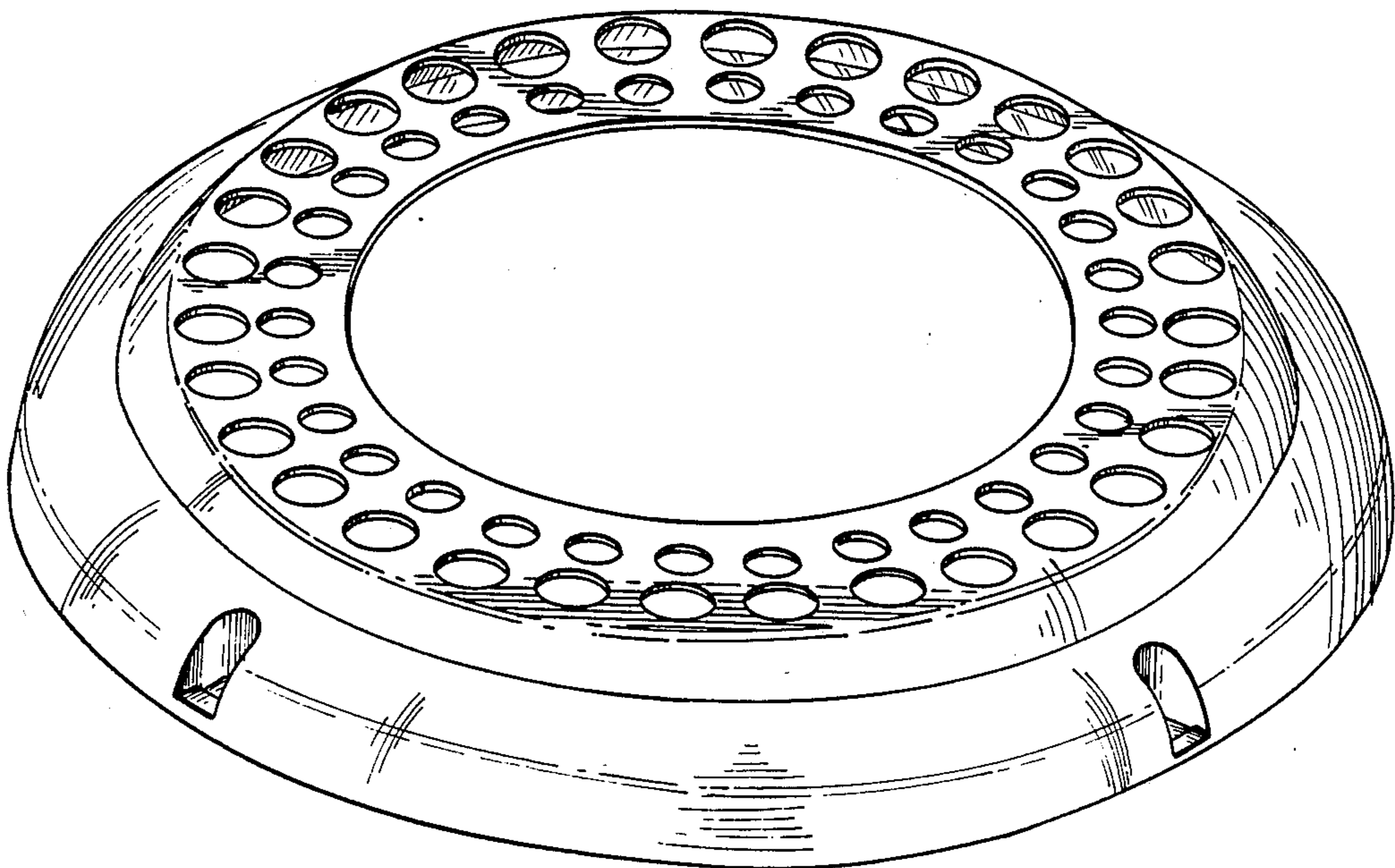


FIG. 1

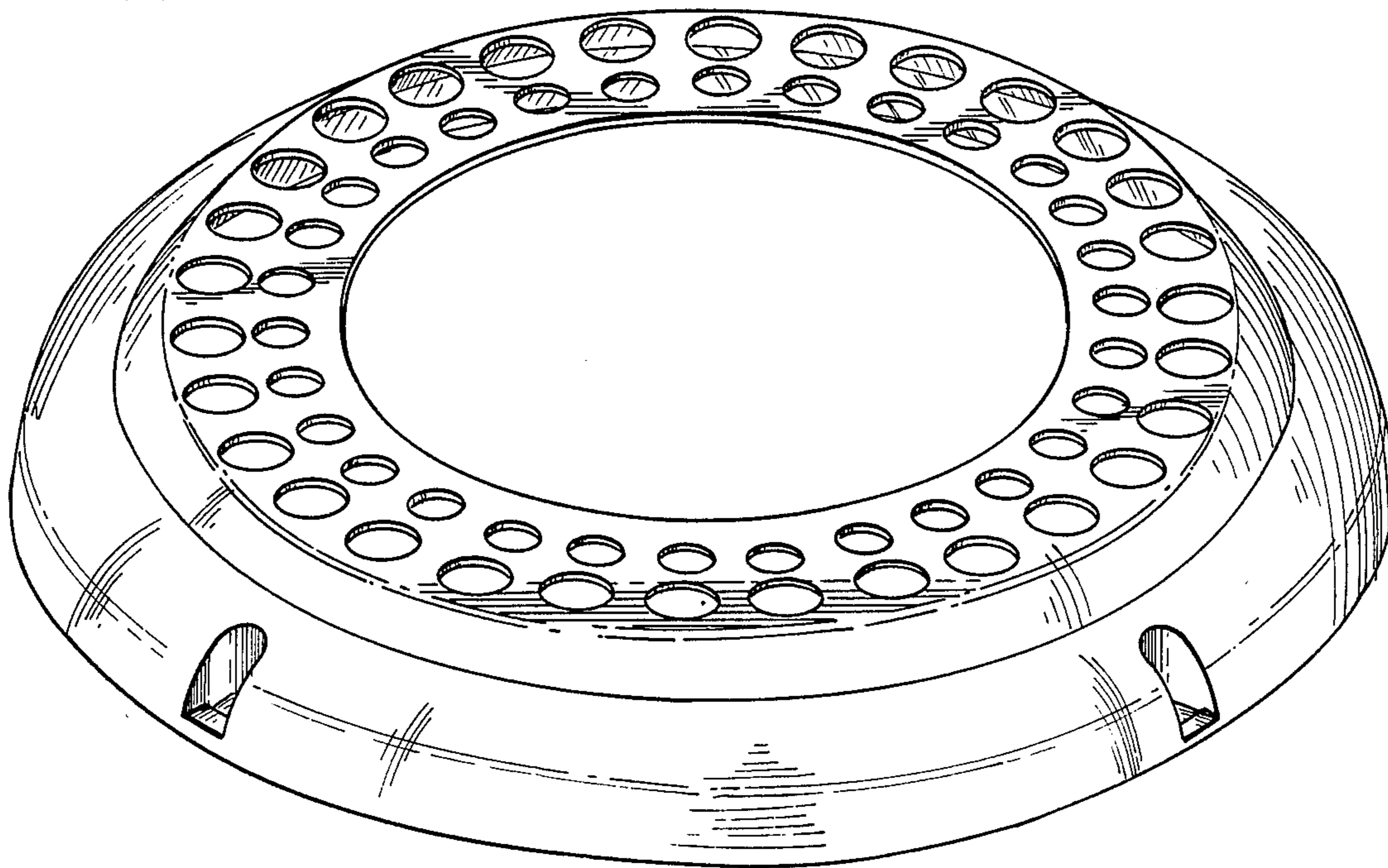
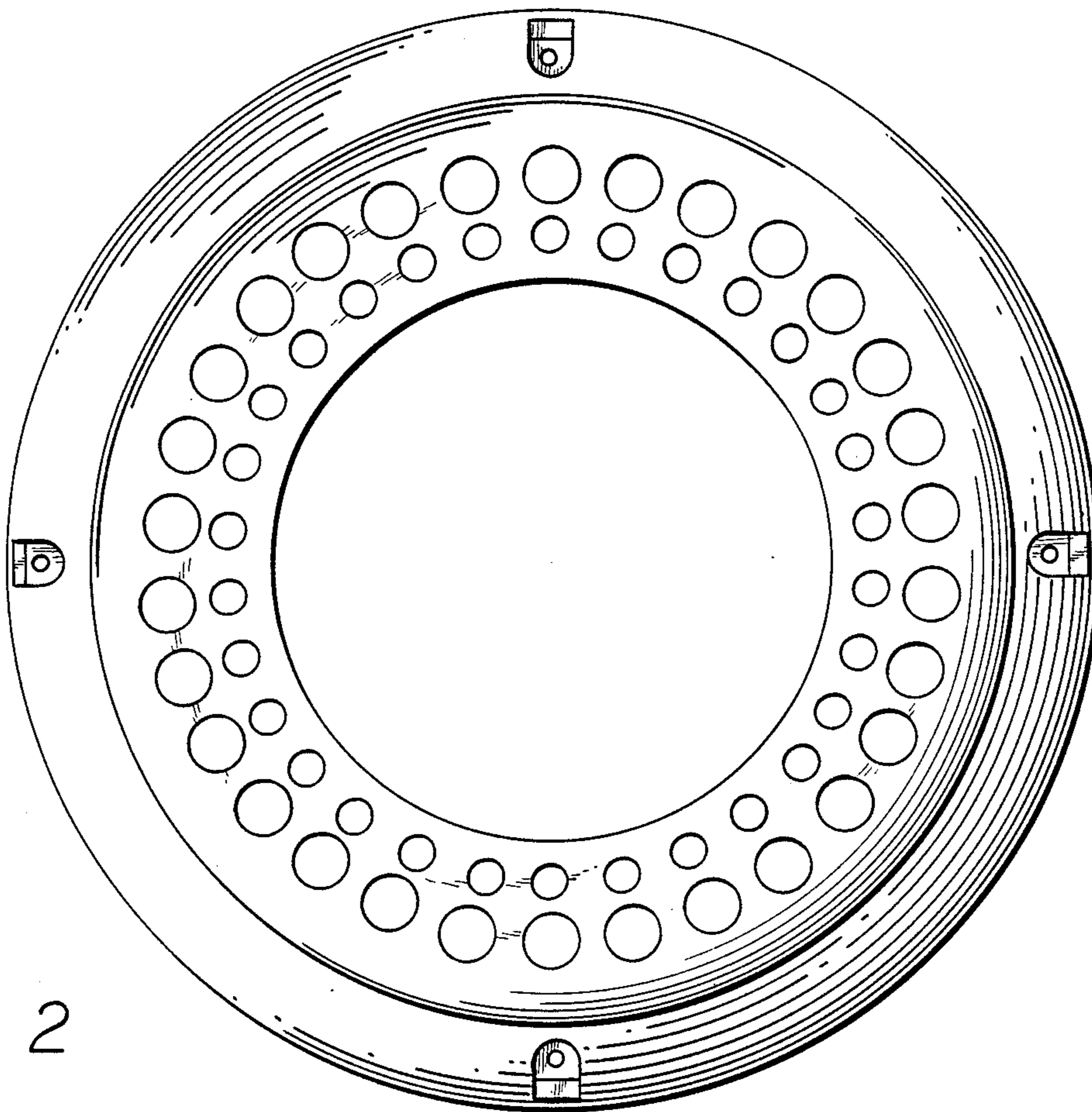


FIG. 2



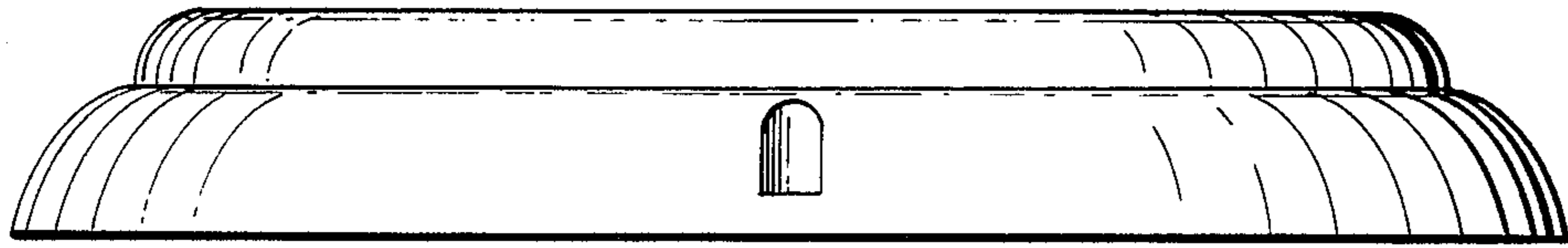


FIG. 3

FIG. 4

