

[54] SOLAR POWERED VENTILATING FAN FOR WELDING HELMETS

[76] Inventor: Stuart R. Brumbach, 107 Pleasantview Ter., New Cumberland, Pa. 17070

[\*\*] Term: 14 Years

[21] Appl. No.: 87,901

[22] Filed: Aug. 21, 1987

[52] U.S. Cl. .... D23/370; D13/102

[58] Field of Search ..... D2/256; 2/171.3, DIG. 1, 2/436, 205; 98/900; D23/370; D13/3.1

[56] References Cited

U.S. PATENT DOCUMENTS

- D. 252,767 8/1979 Odell et al. .... D23/370
- 3,735,423 5/1973 Droz ..... 2/171.3
- 3,881,198 5/1975 Waters ..... 2/171.3
- 4,172,294 10/1979 Harris ..... 2/171.3

4,744,106 5/1988 Wang ..... 2/171.3

Primary Examiner—Susan J. Lucas  
Assistant Examiner—M. H. Tung  
Attorney, Agent, or Firm—Jerry T. Kearns

[57] CLAIM

The ornamental design for a solar powered ventilating fan for welding helmets, as shown and described.

DESCRIPTION

FIG. 1 is a front elevational view of a solar powered ventilating fan for welding helmets showing my new design;

FIG. 2 is a rear elevational view thereof;

FIG. 3 is a left side elevational view thereof;

FIG. 4 is a right side elevational view thereof;

FIG. 5 is a top plan view thereof;

FIG. 6 is a bottom plan view thereof;

FIG. 7 is a top perspective view thereof, and

FIG. 8 is a bottom perspective view thereof.

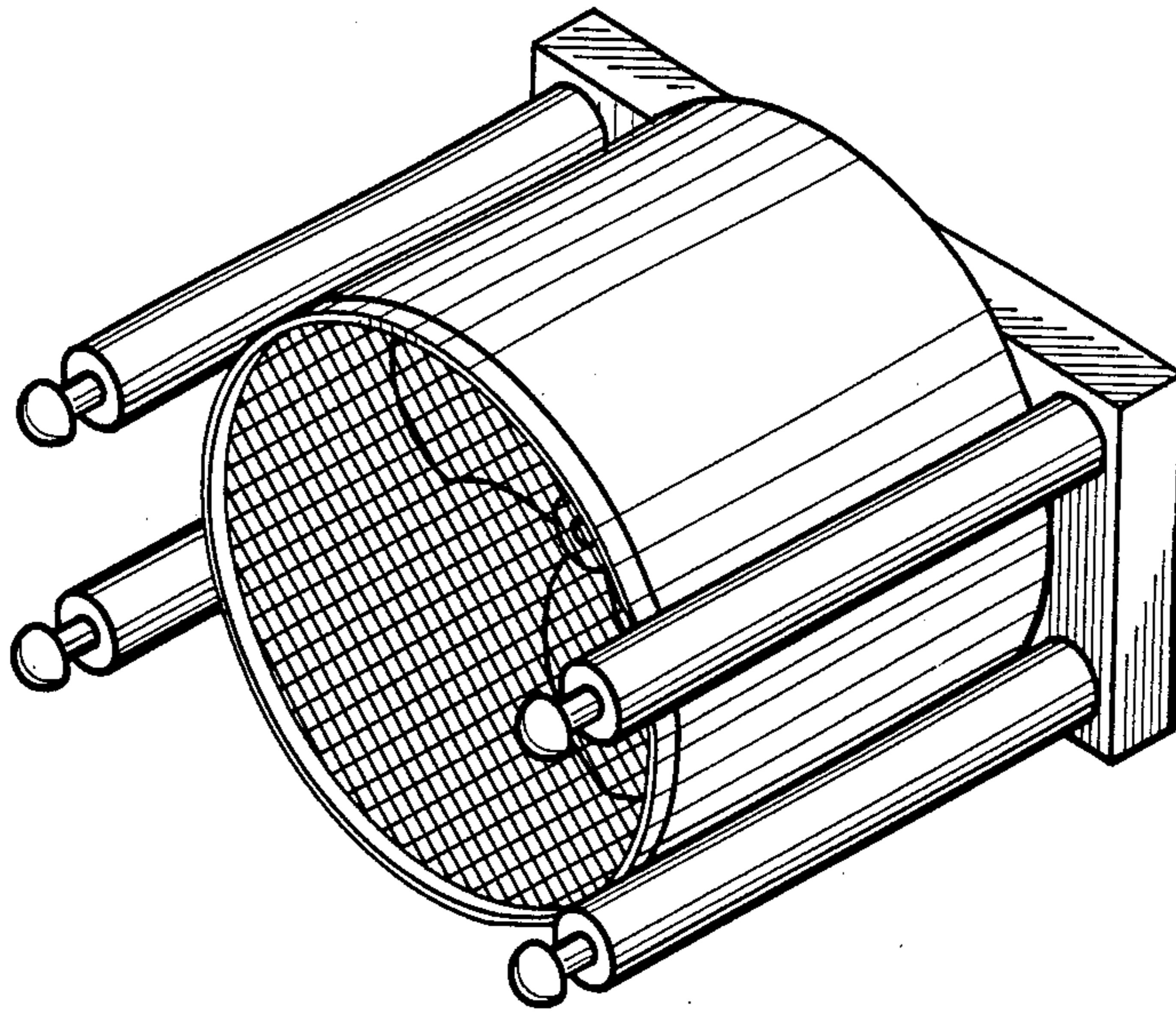


Fig. 1

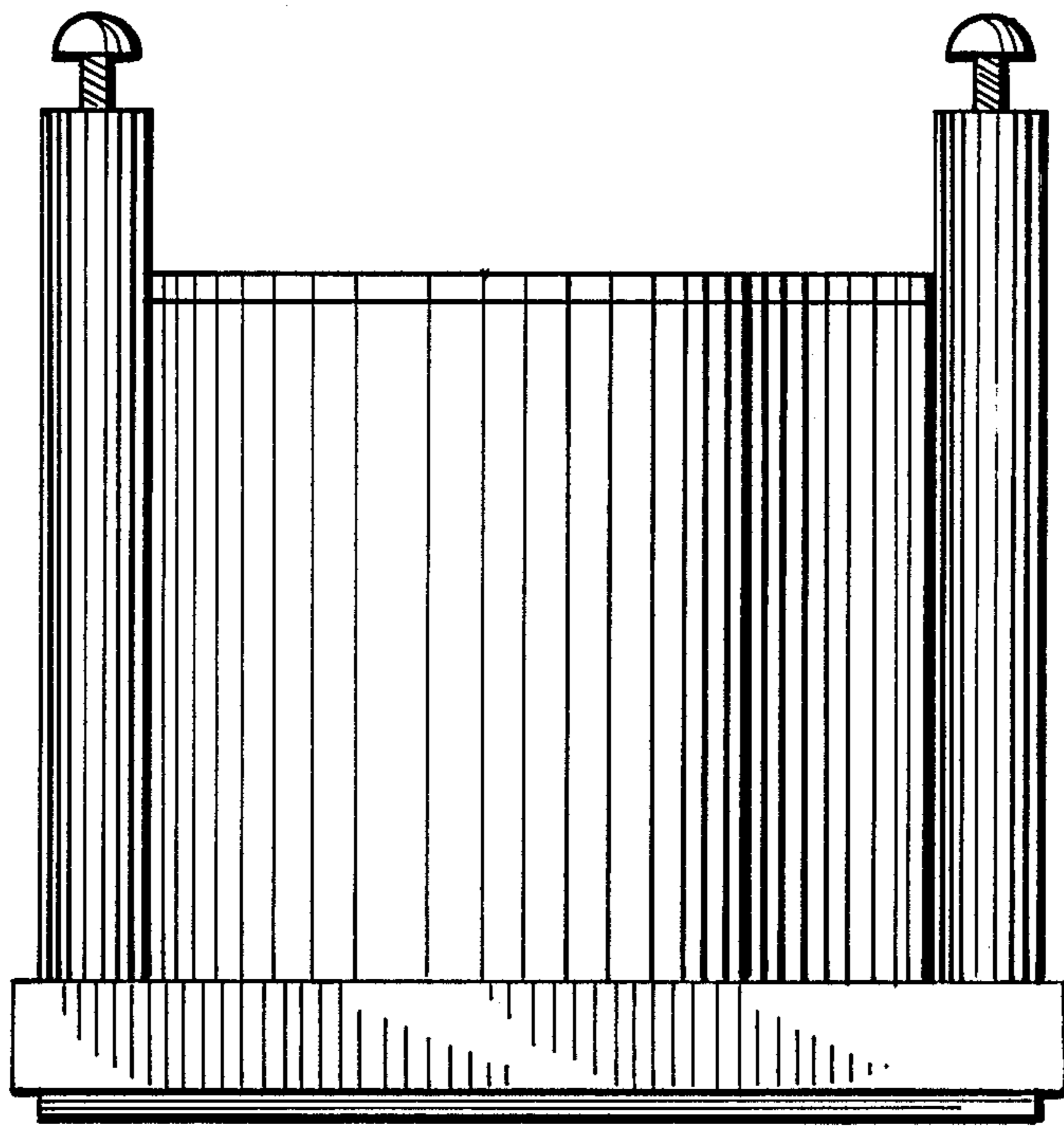
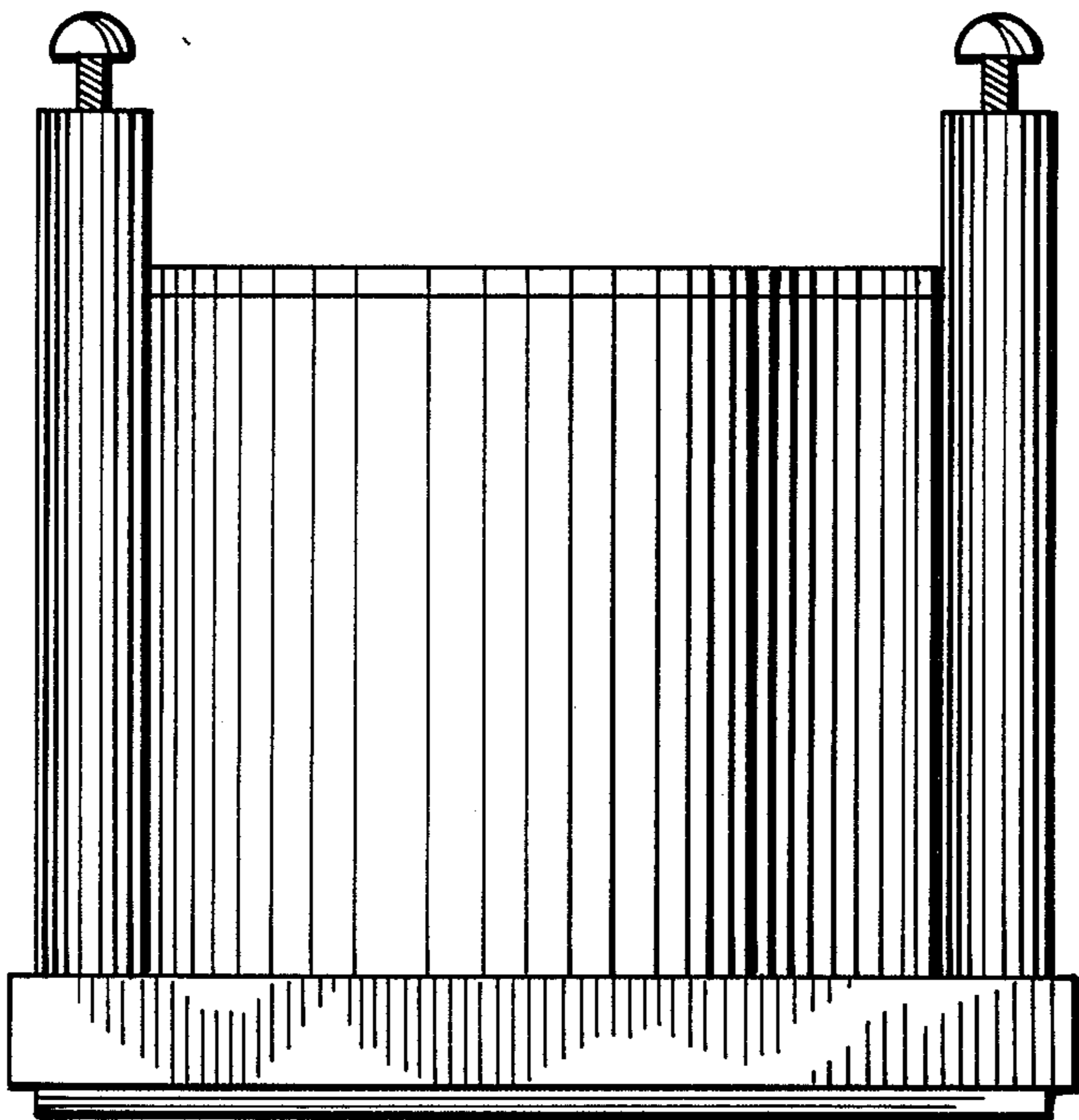


Fig. 2



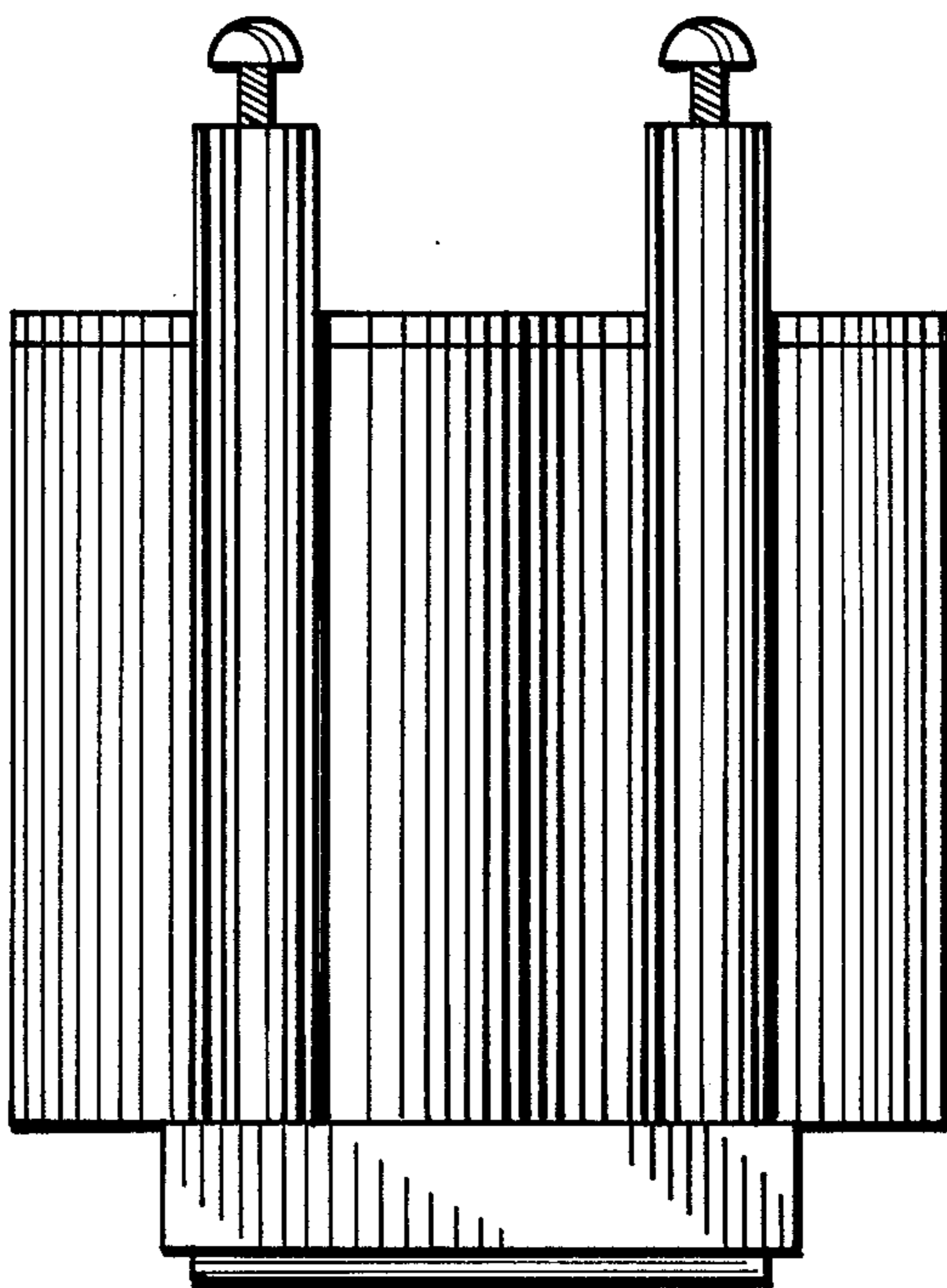


Fig. 3

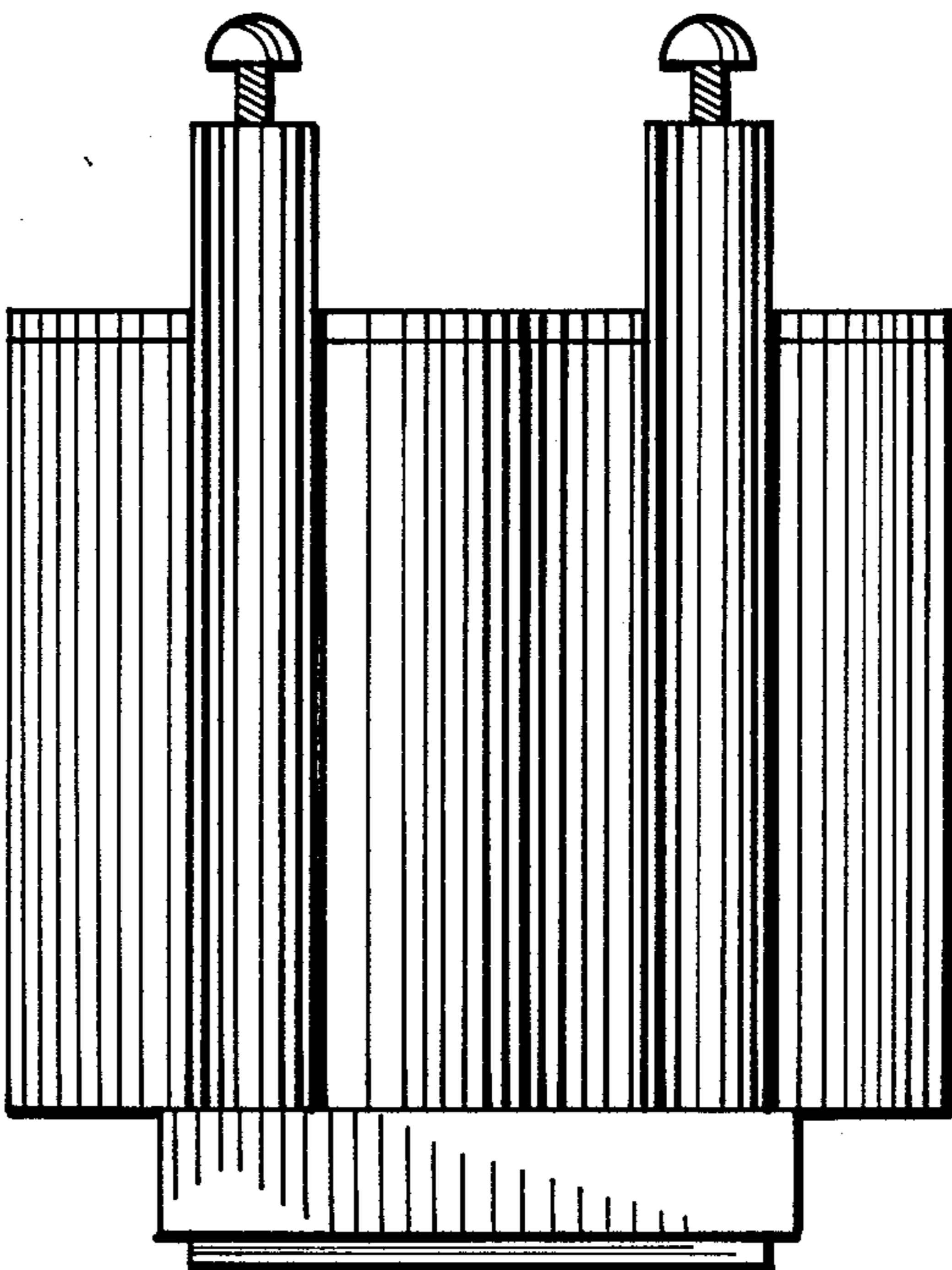


Fig. 4

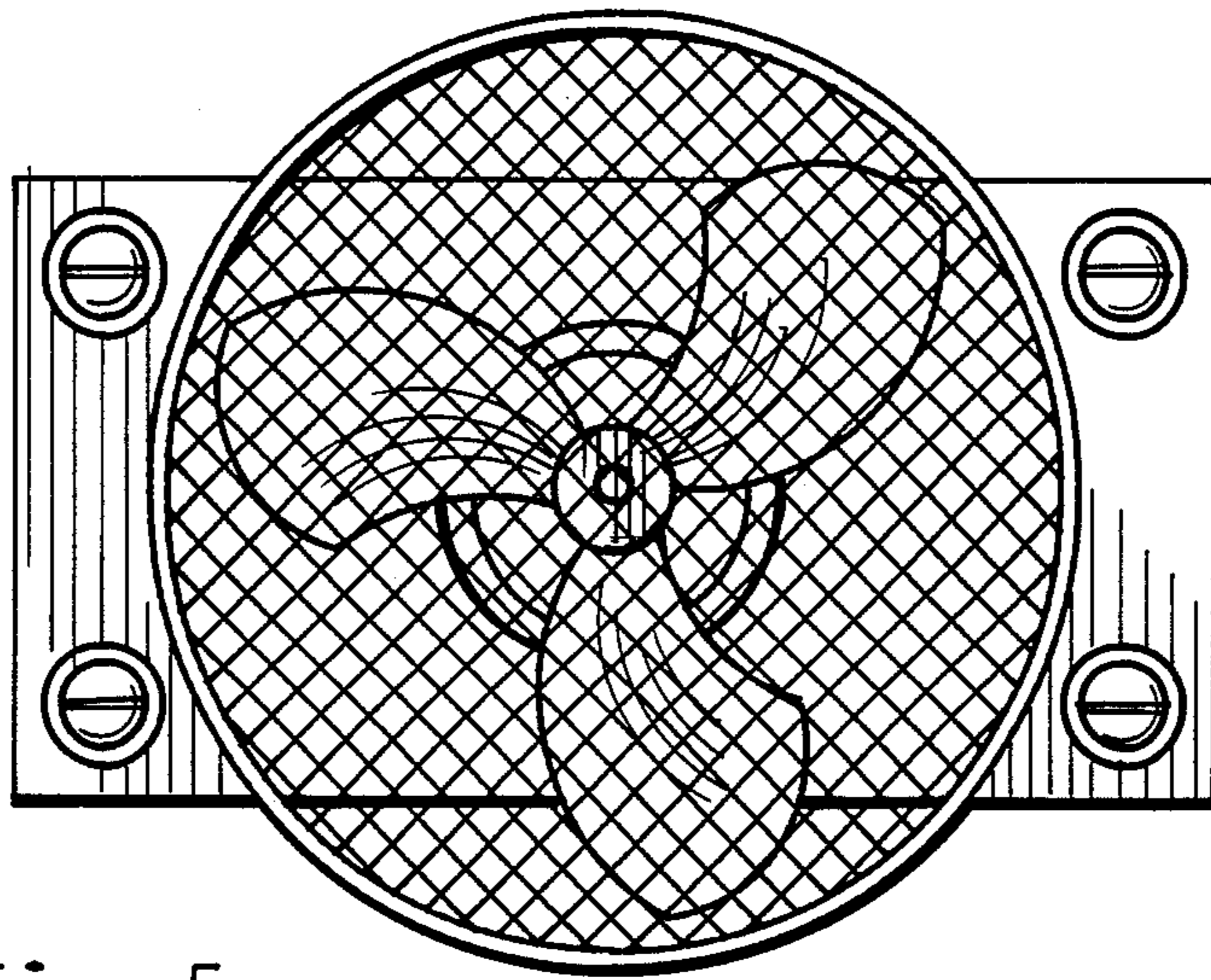


Fig. 5

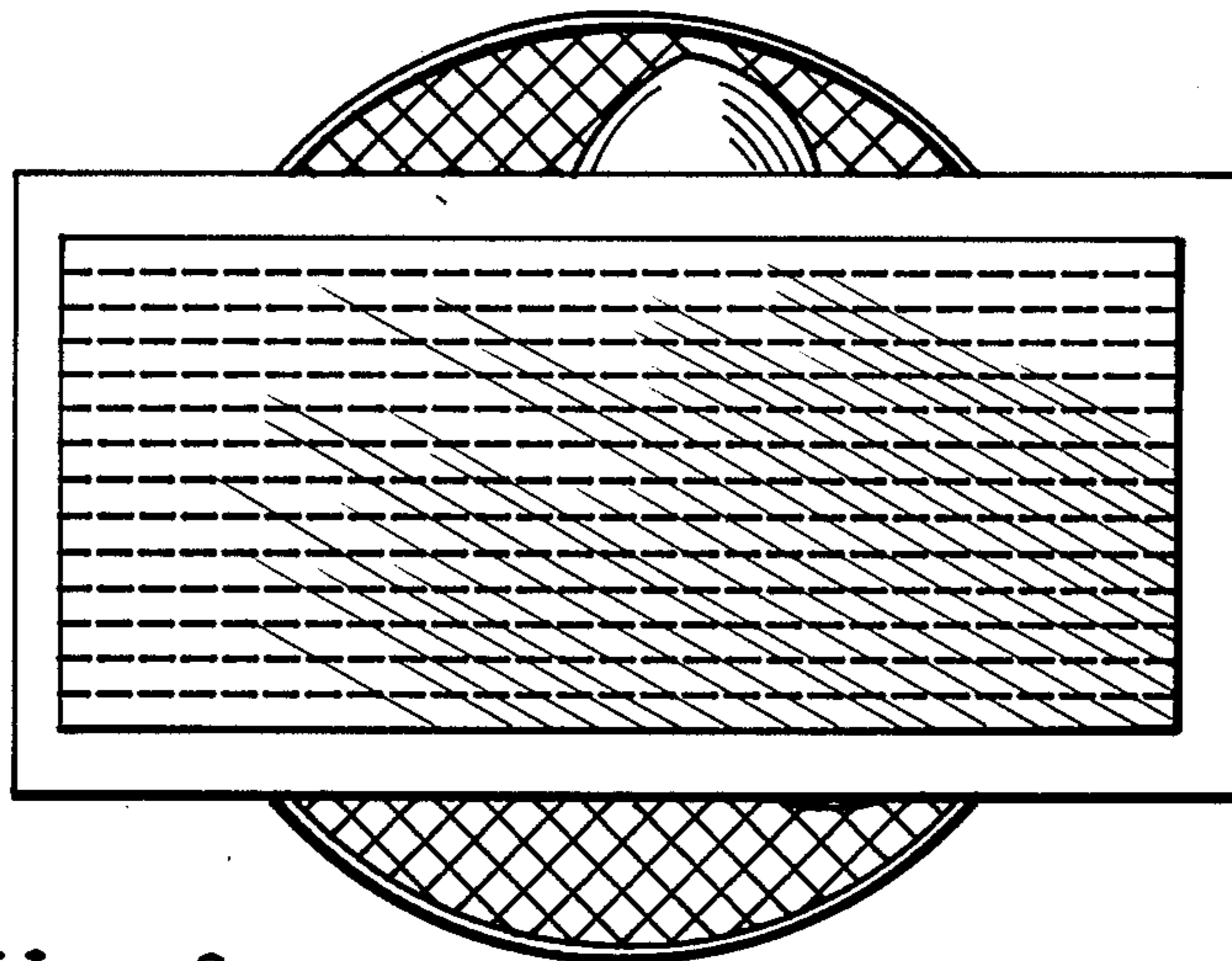


Fig. 6

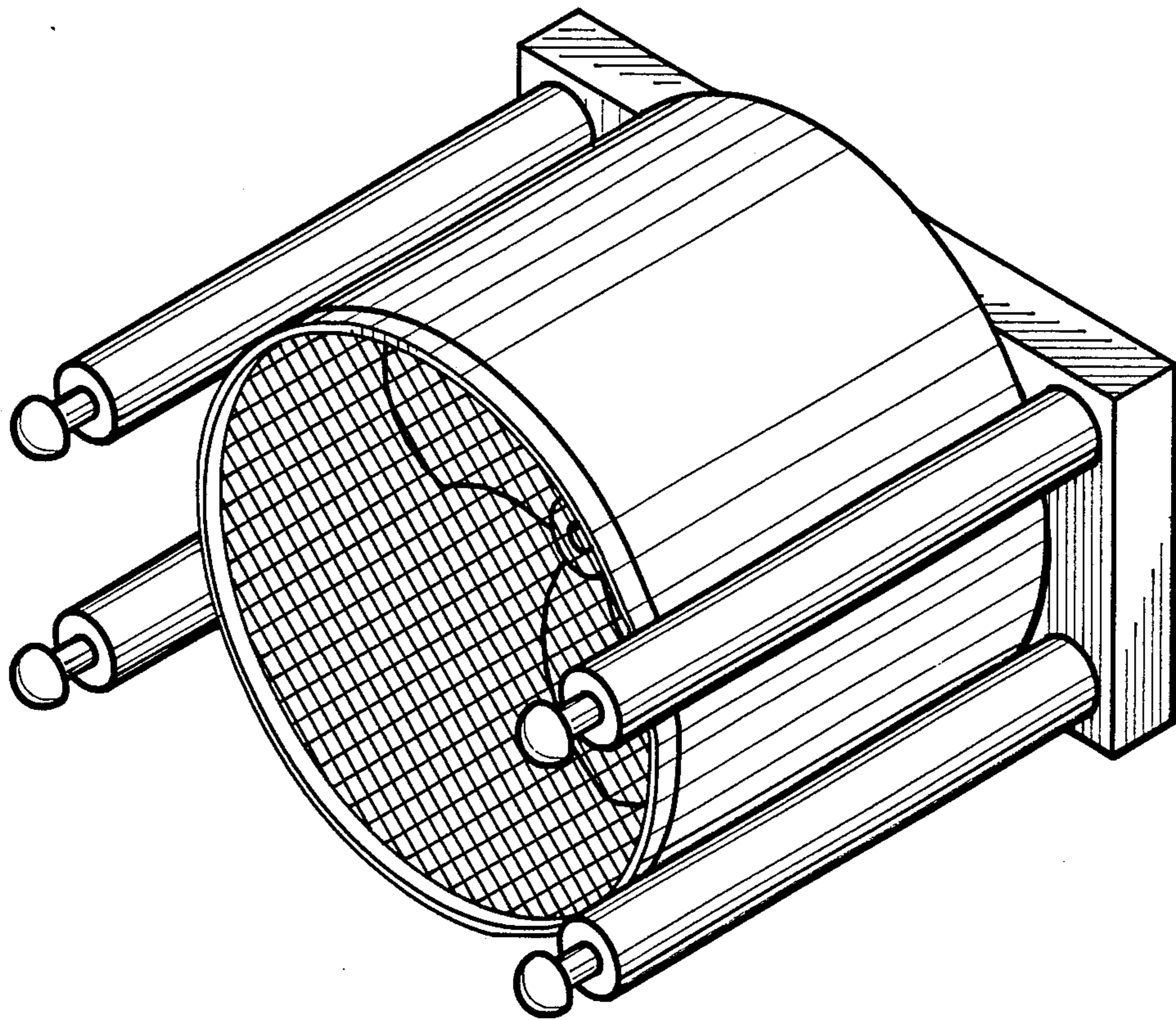


Fig. 7

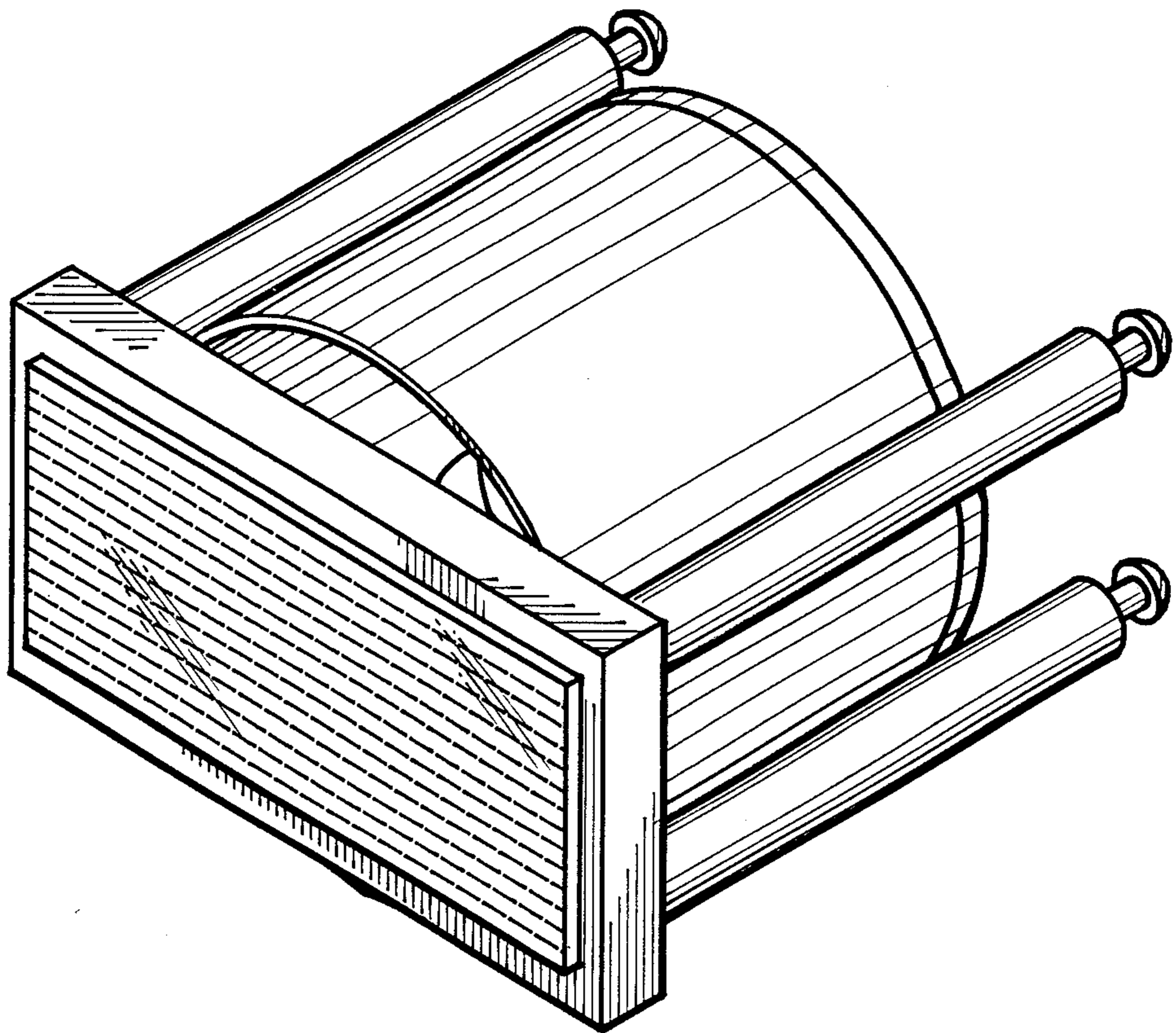


Fig. 8