

[54] COMBINED FILTER UNIT AND COUPLING ELEMENT

D. 236,265 8/1975 Dussardier ..... D23/209  
4,059,522 11/1977 Polley et al. .... 210/169 X  
4,064,046 12/1977 Gilger ..... 210/94

[75] Inventors: Bryan G. Russell, Satellite Beach;  
Rodney J. Busto, Melbourne, both of Fla.

Primary Examiner—Susan J. Lucas  
Assistant Examiner—M. H. Tung  
Attorney, Agent, or Firm—Duckworth, Allen, Dyer & Doppelt

[73] Assignee: Vu-Flow Filters Company,  
Melbourne, Fla.

[57] CLAIM

[\*\*] Term: 14 Years

The ornamental design for combined filter unit and coupling element, as shown and described.

[21] Appl. No.: 210,646

DESCRIPTION

[22] Filed: Jun. 23, 1988

[52] U.S. Cl. .... D23/209

[58] Field of Search ..... D23/200, 207, 208, 209,  
D23/210; 210/136, 234, 238, 282, 440, 444, 446,  
447, 448, 457, 492, 169, 94, 437, 438, 441, 460

FIG. 1 is a perspective view of a combined filter unit and coupling element showing our new design, on a greatly enlarged scale;

FIG. 2 is a front elevational view thereof;

FIG. 3 is a side elevational view thereof, the other side being identical;

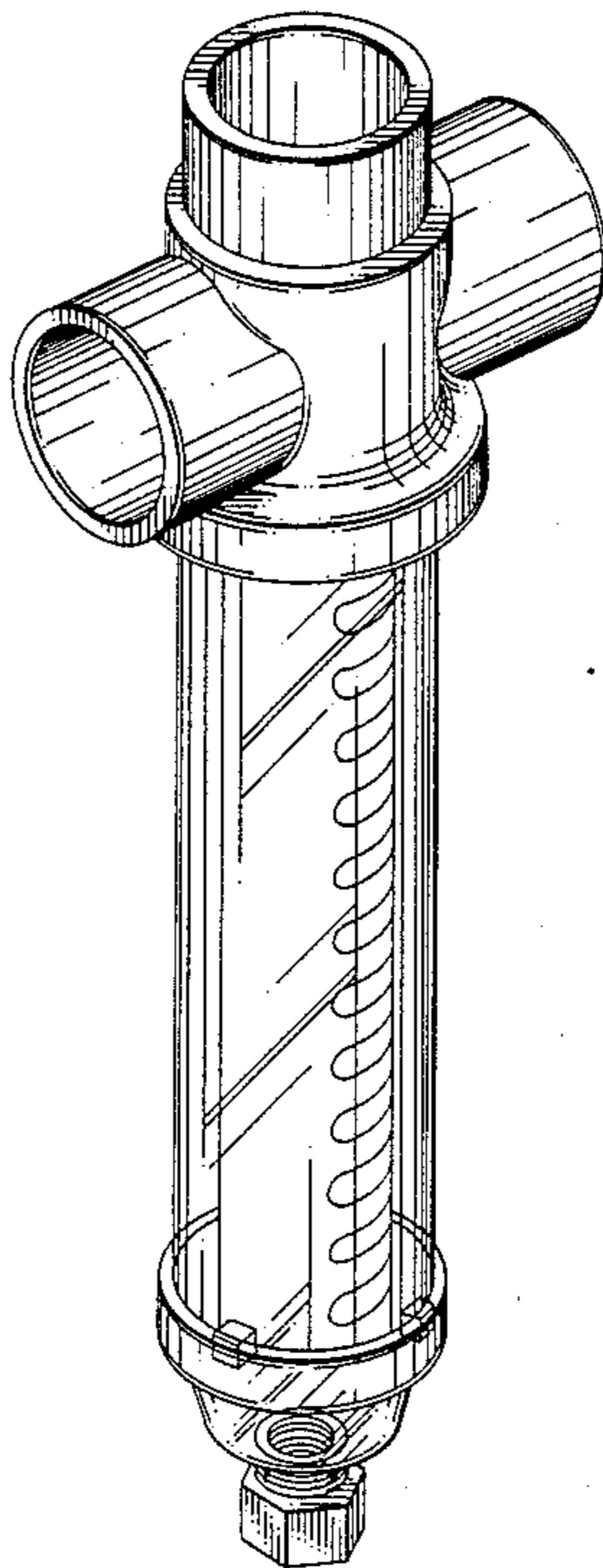
FIG. 4 is a top plan view thereof, on an enlarged scale;

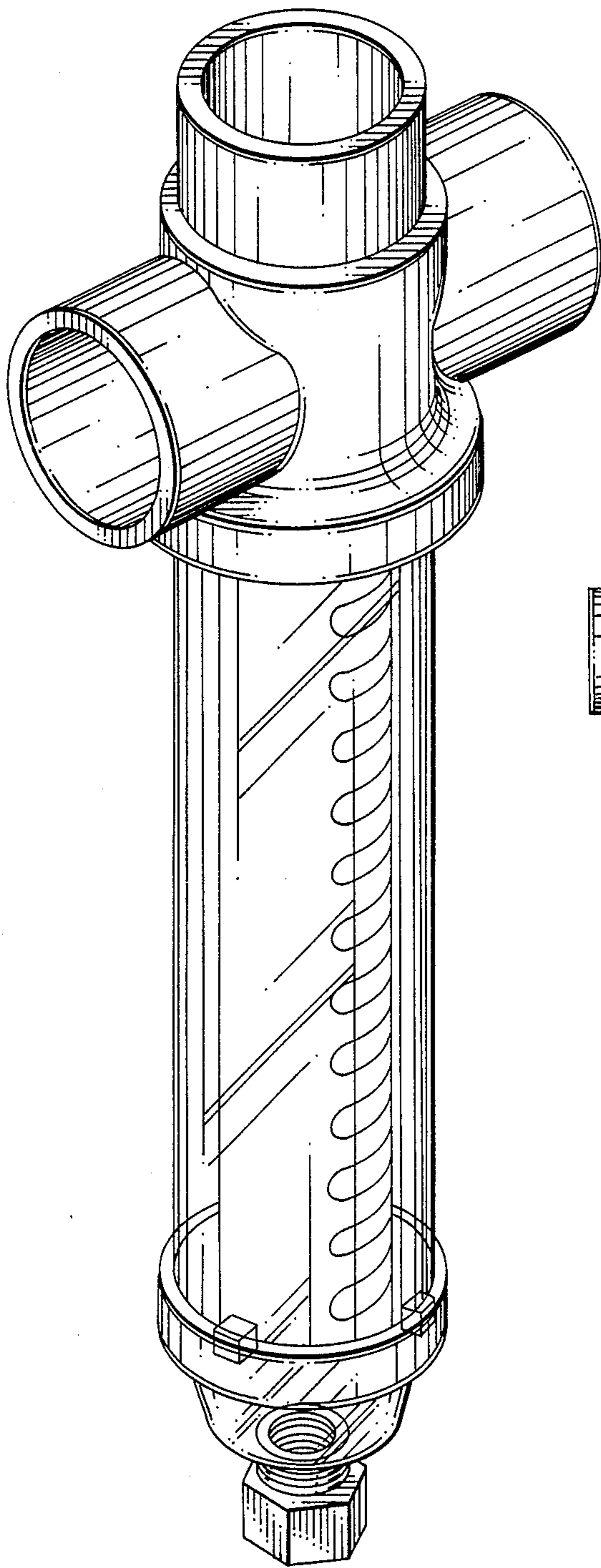
FIG. 5 is a bottom plan view thereof, on an enlarged scale.

[56] References Cited

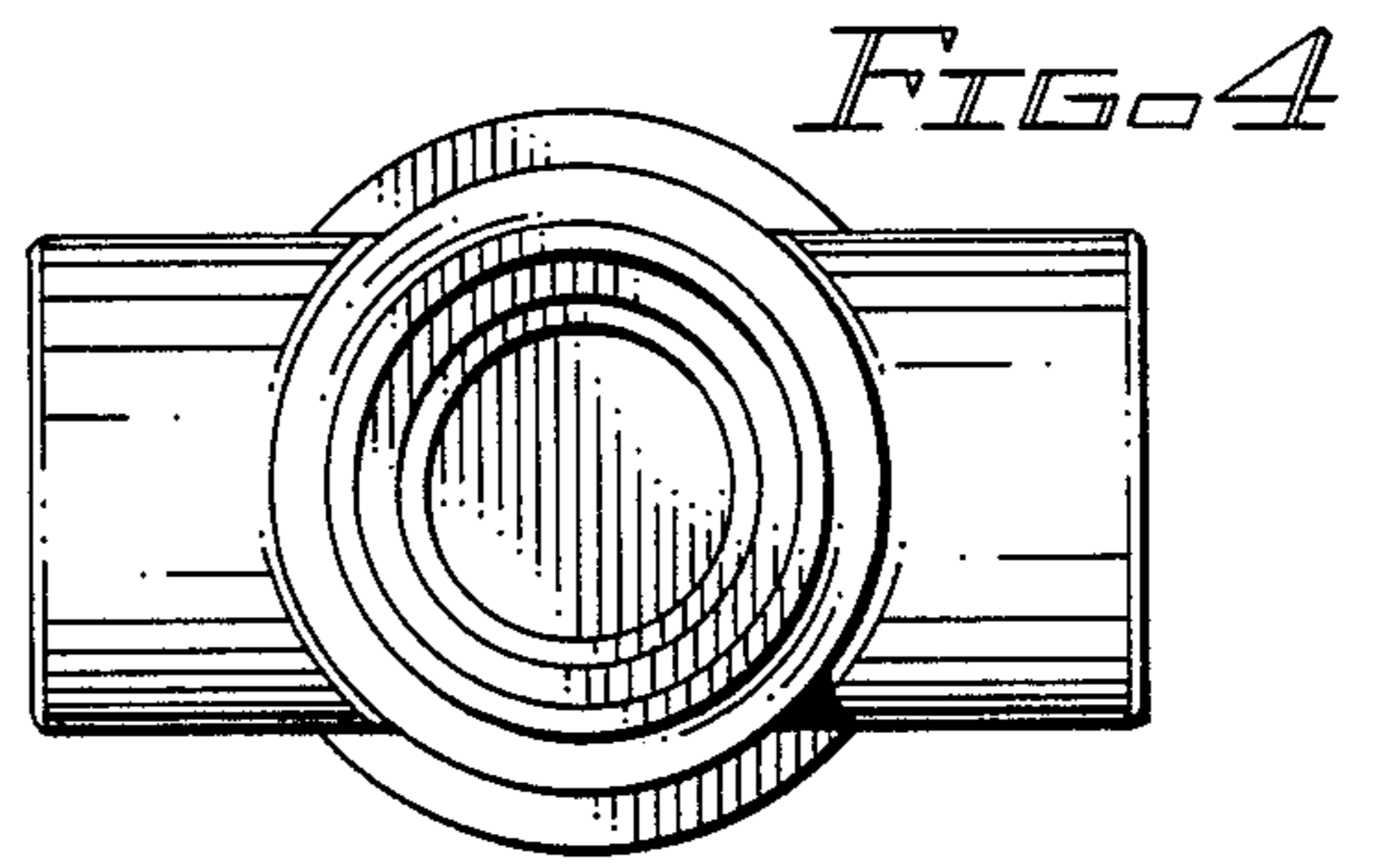
U.S. PATENT DOCUMENTS

D. 173,603 12/1954 Atkinson ..... D23/207

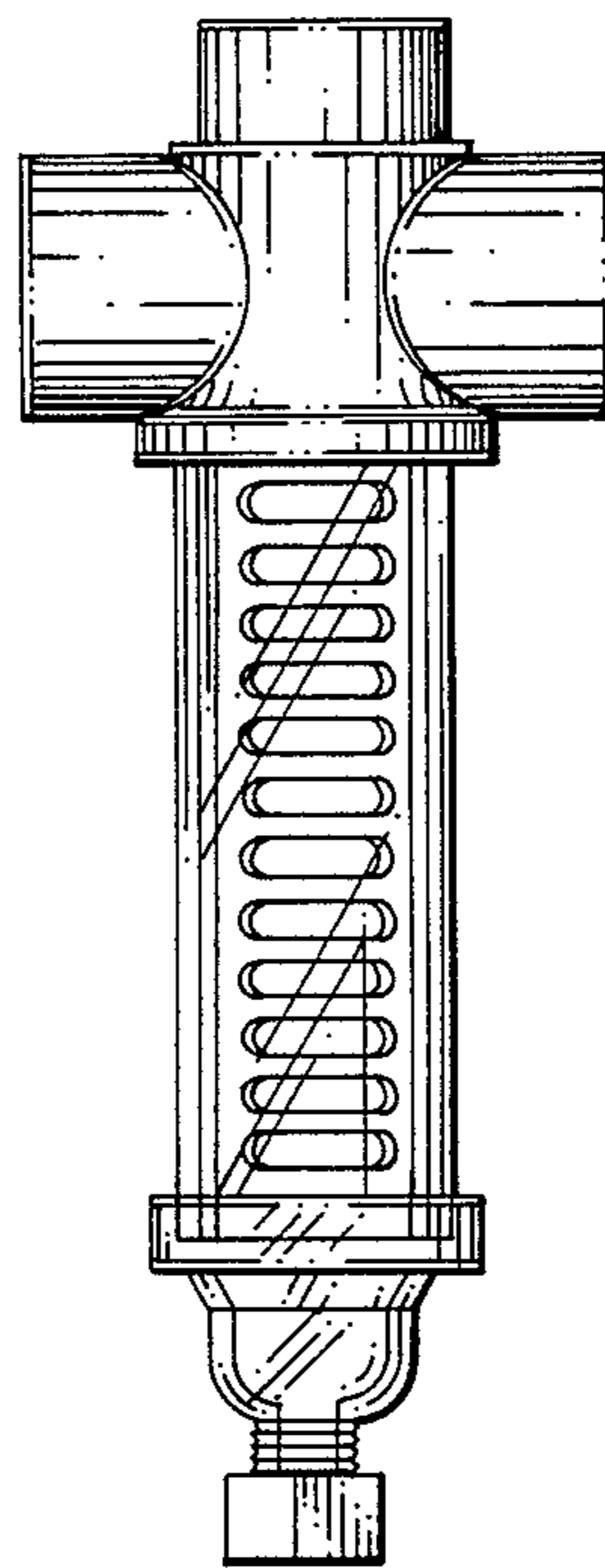




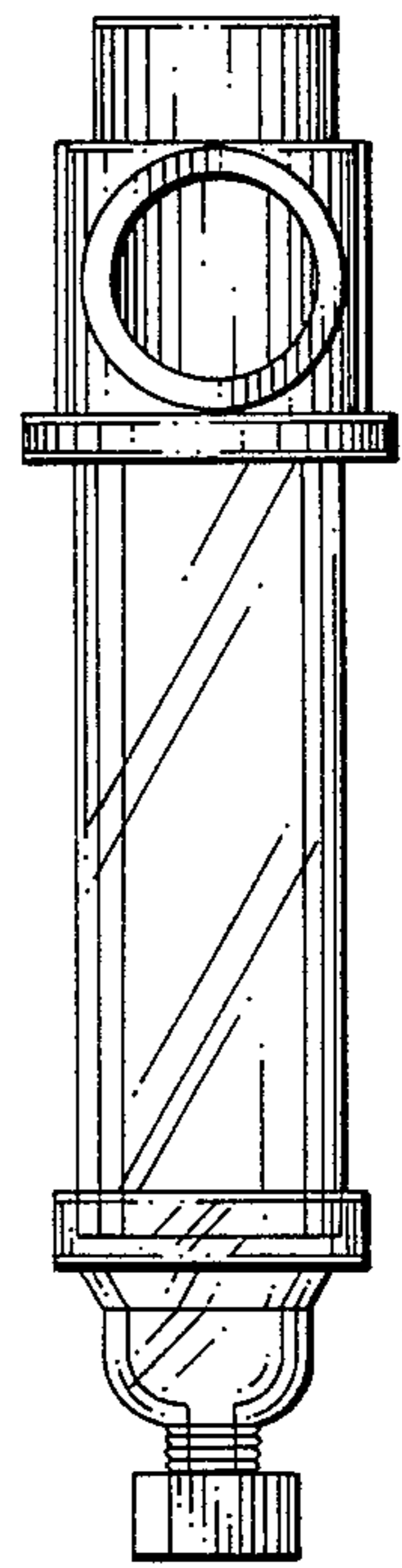
*FIG. 1*



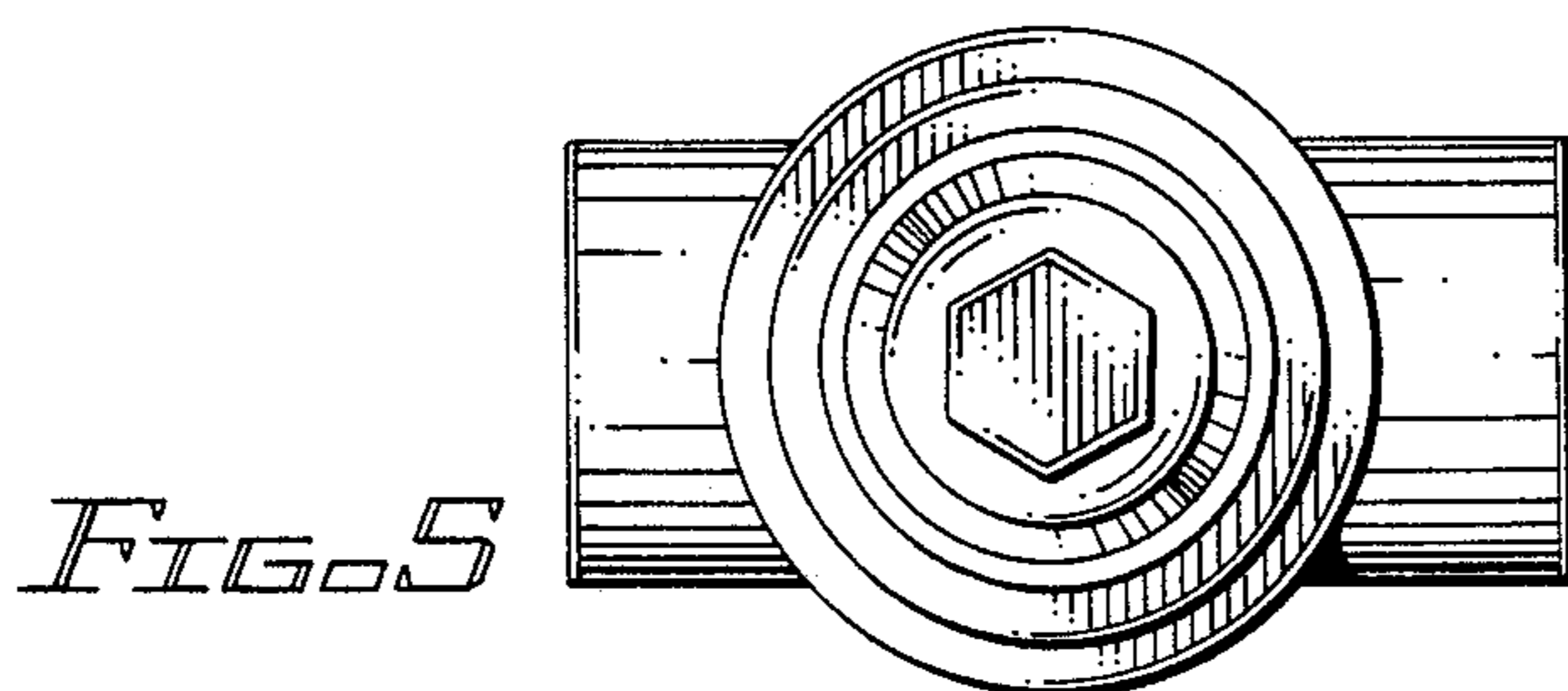
*FIG. 4*



*FIG. 2*



*FIG. 3*



*FIG. 5*