

[54] TOILET BOWL DEODORANT HOLDER

[75] Inventors: Earl Hoyt, Franklin Lakes;  
Manharbhai K. Patel, Saddle Brook,  
both of N.J.

[73] Assignee: Airwick Industries, Inc., Carlstadt,  
N.J.

[\*\*] Term: 14 Years

[21] Appl. No.: 260,374

[22] Filed: Oct. 20, 1988

[52] U.S. Cl. .... D23/208

[58] Field of Search ..... D23/207, 208, 213;  
4/223, 224, 228, 227, 231

[56] References Cited

U.S. PATENT DOCUMENTS

3,604,021	9/1971	Nolte, Jr. ....	4/231
4,261,957	4/1981	Schimanski .....	4/228 X
4,555,819	12/1985	Weiss et al. ....	4/223
4,777,670	10/1988	Klinkhammer et al. ....	4/231

FOREIGN PATENT DOCUMENTS

2194258 3/1988 United Kingdom ..... 4/231

Primary Examiner—Susan J. Lucas

Assistant Examiner—M. H. Tung

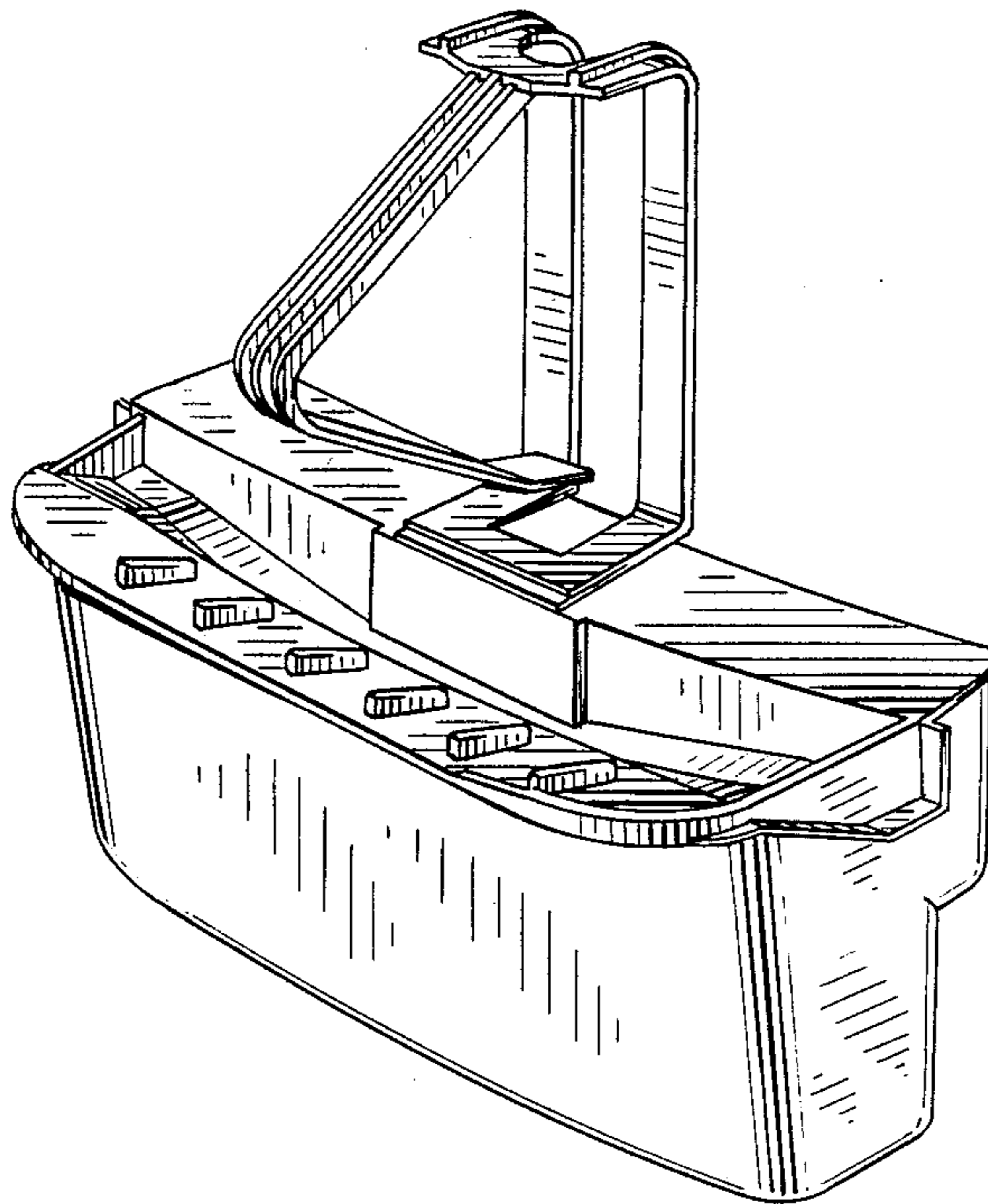
Attorney, Agent, or Firm—Felfe & Lynch

[57] CLAIM

The ornamental design for a toilet bowl deodorant holder, as shown and described.

DESCRIPTION

FIG. 1 is a front perspective view of a toilet bowl deodorant holder showing our new design;  
 FIG. 2 is a side elevational view thereof, as seen from the left of FIG. 1;  
 FIG. 3 is a rear perspective view thereof;  
 FIG. 4 is a side elevational view thereof, as seen from the right of FIG. 1;  
 FIG. 5 is a front elevational view thereof;  
 FIG. 6 is a rear elevational view thereof;  
 FIG. 7 is a top plan view thereof; and  
 FIG. 8 is a bottom plan view thereof.



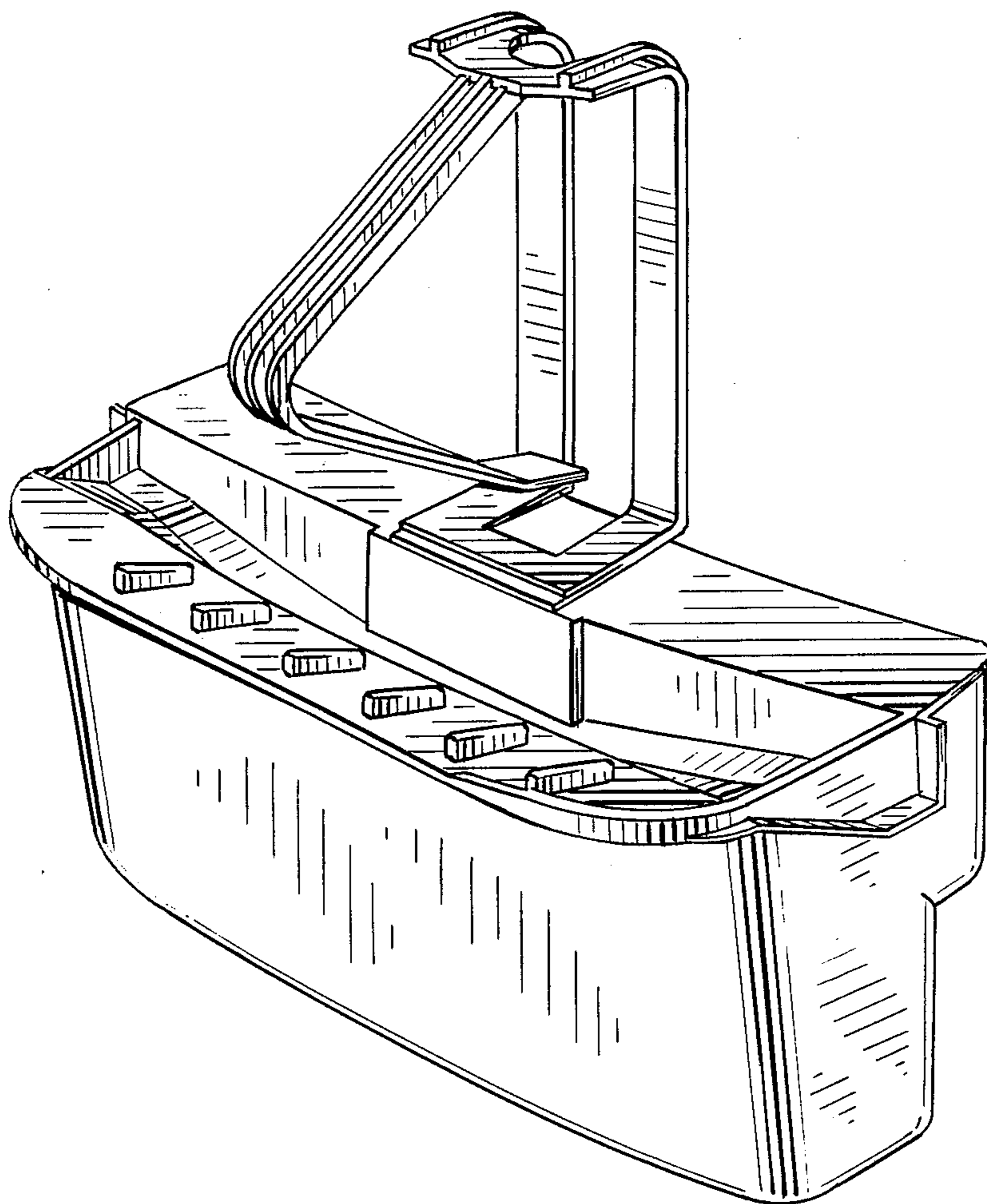


Fig. 1.

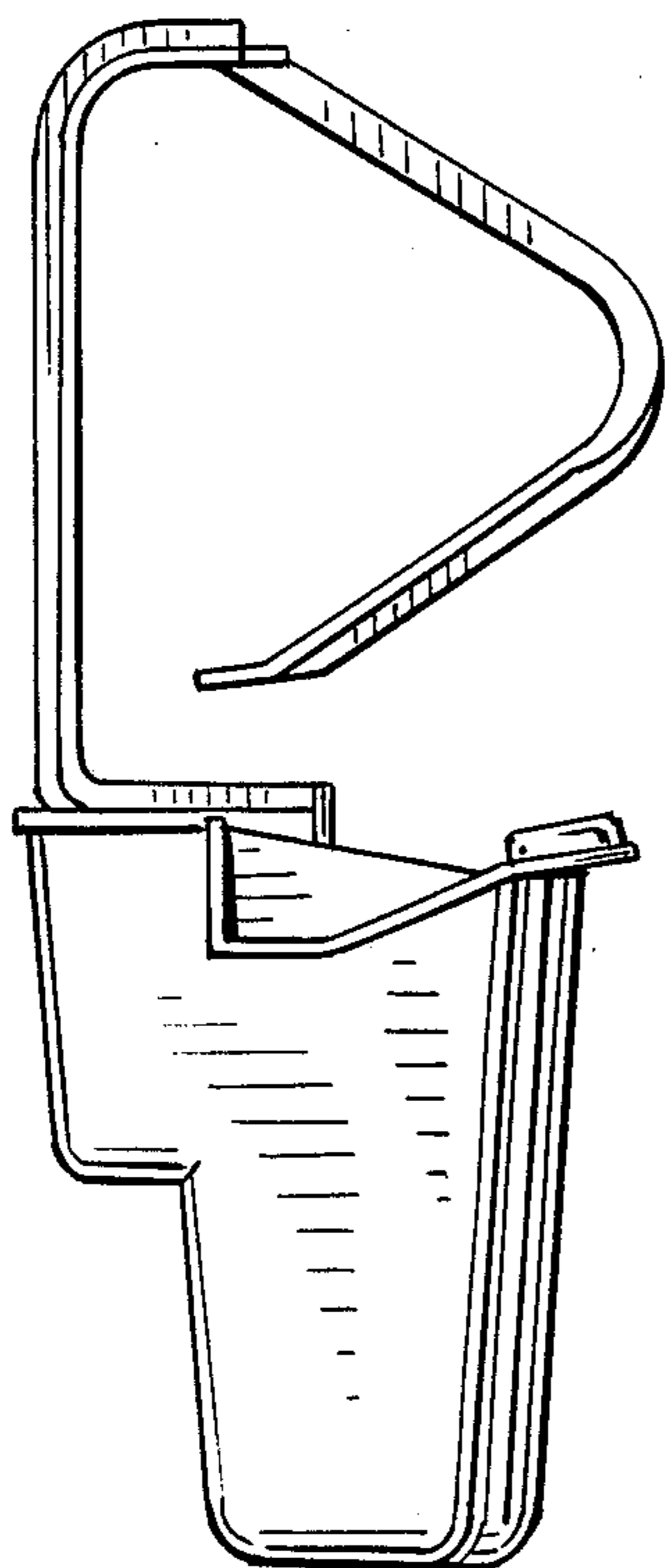


Fig. 2.

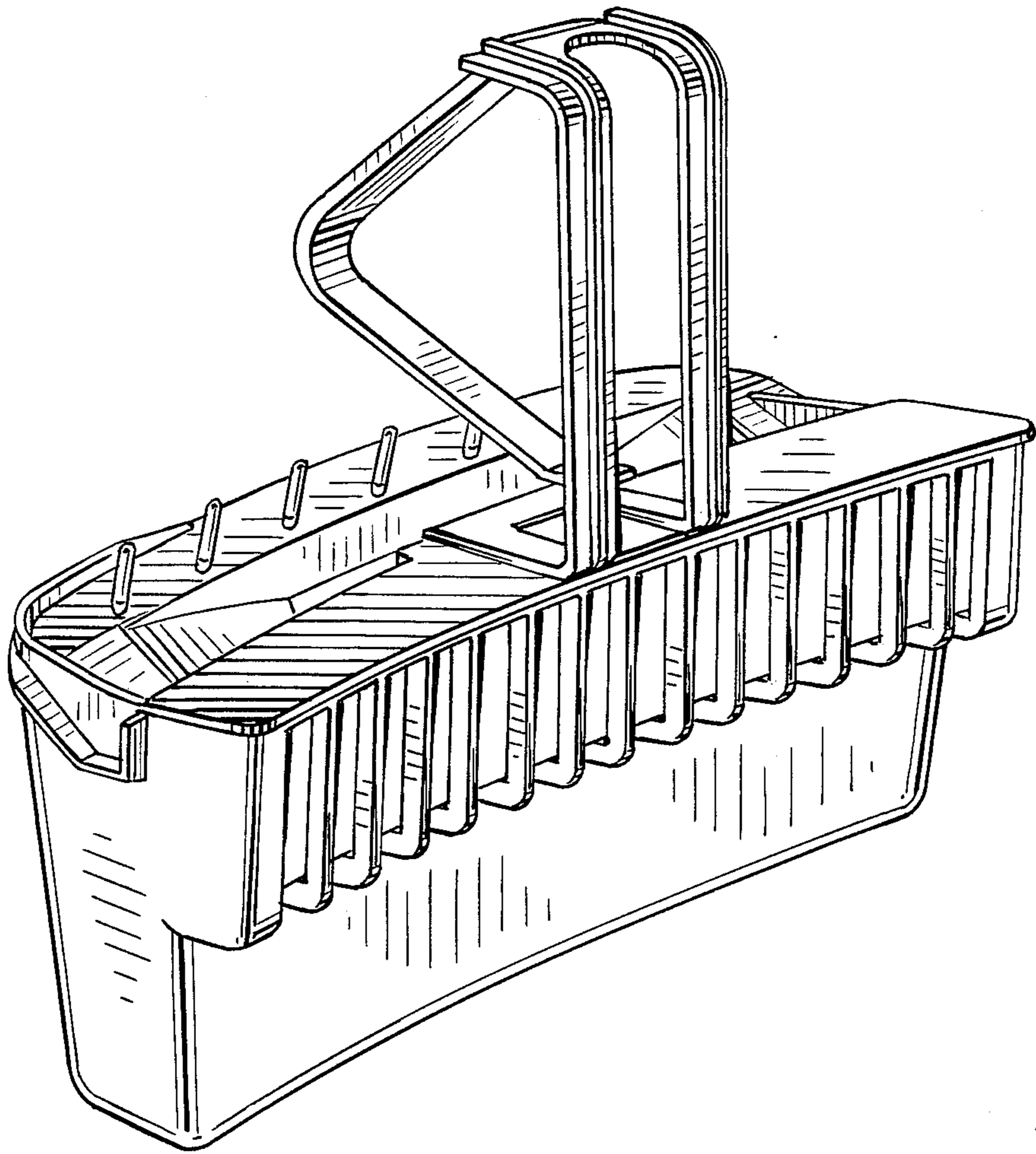
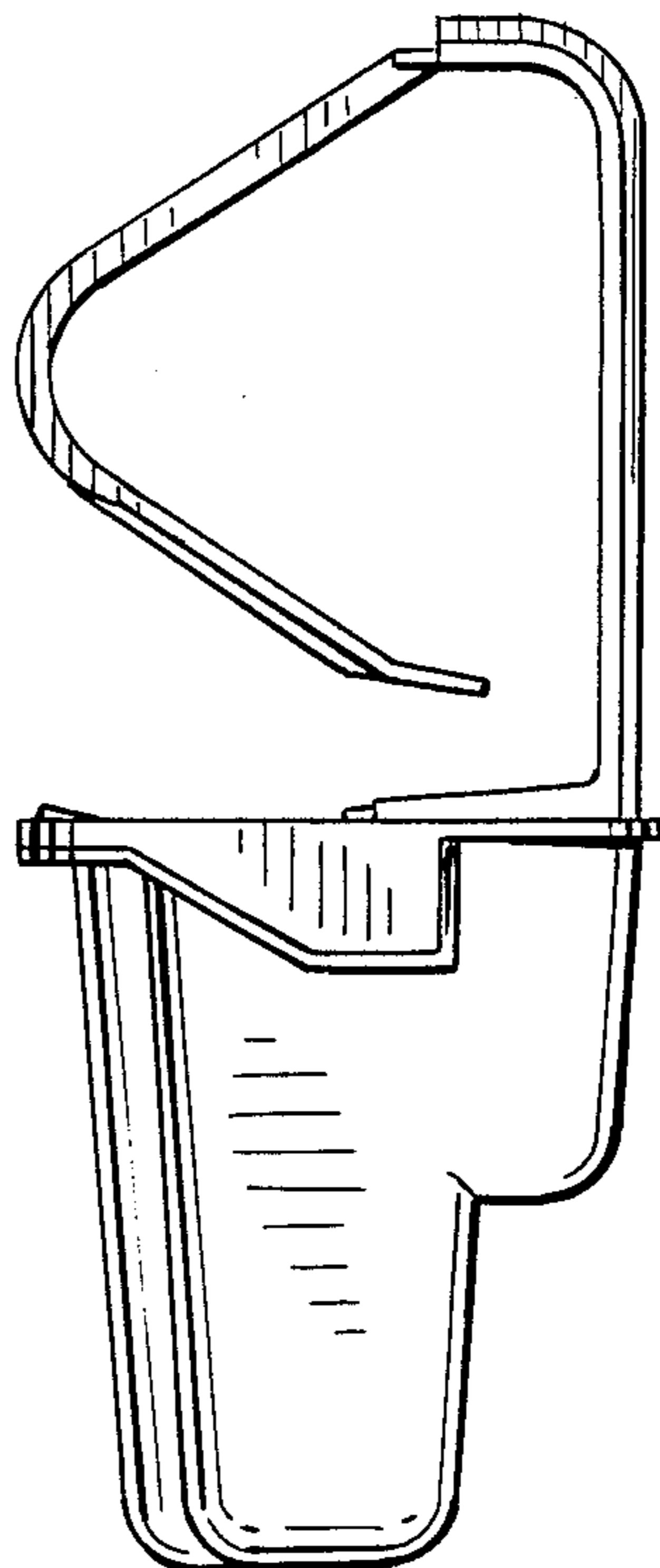


Fig. 3.

Fig. 4.



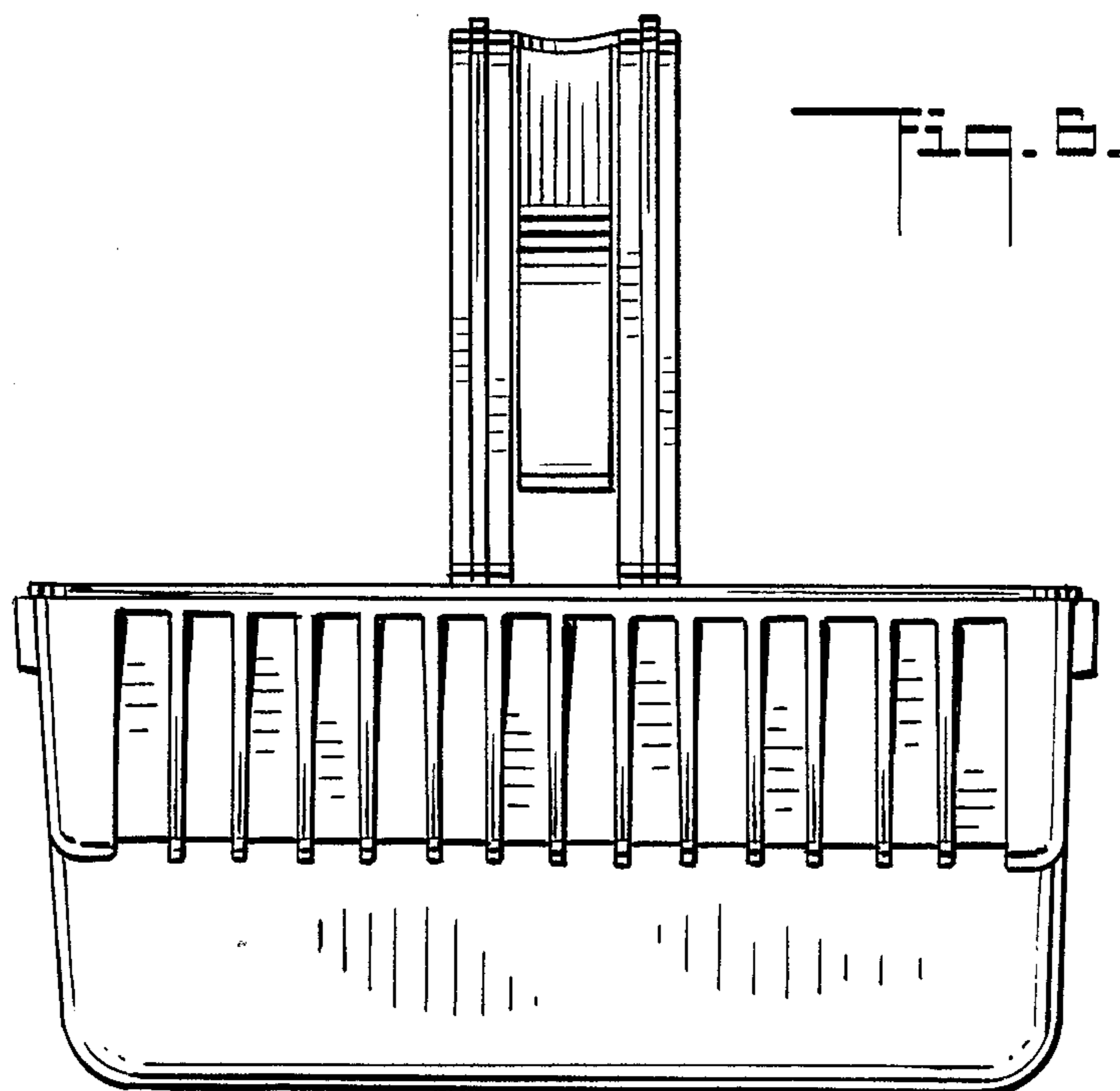
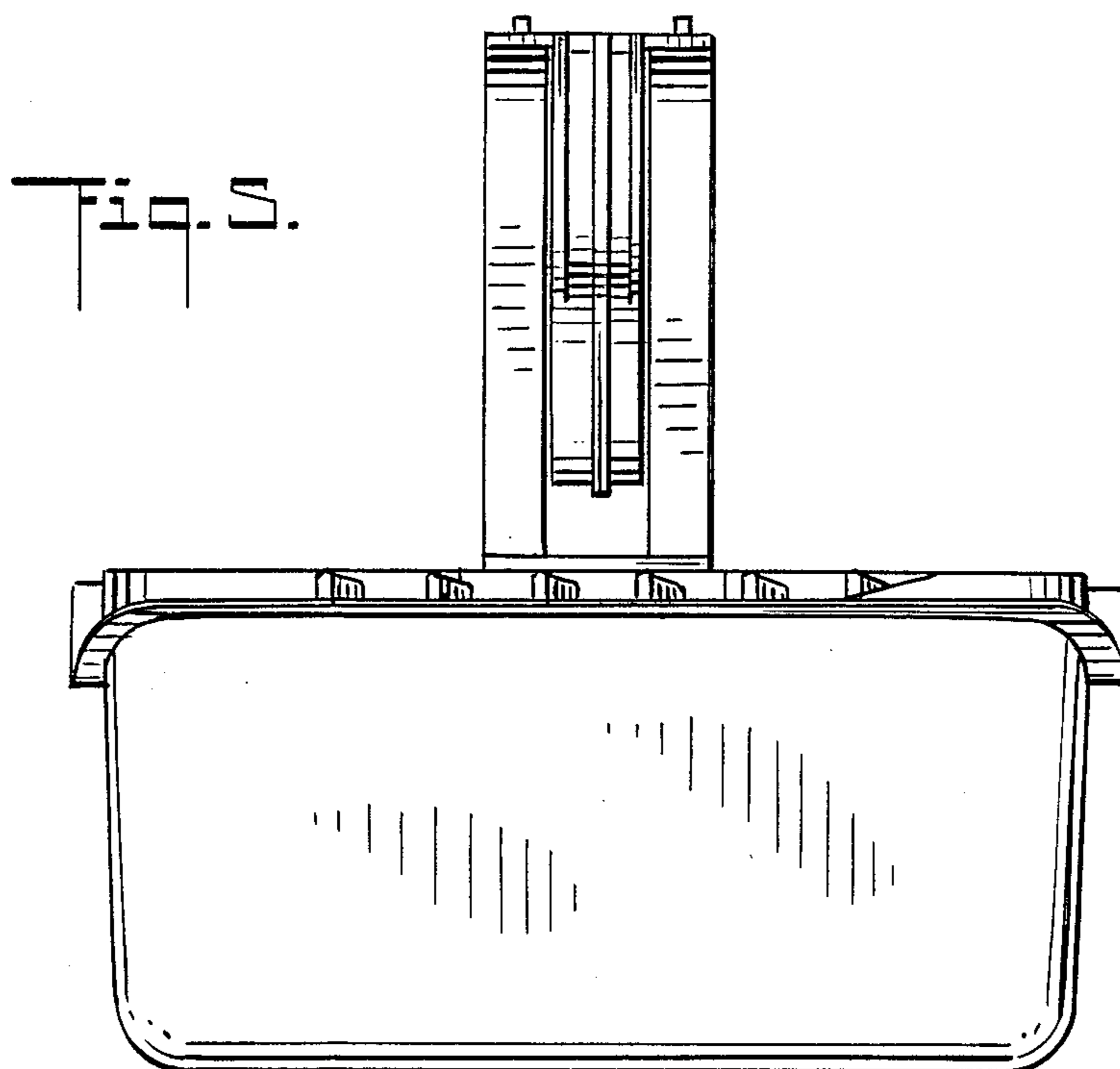


Fig. 7.

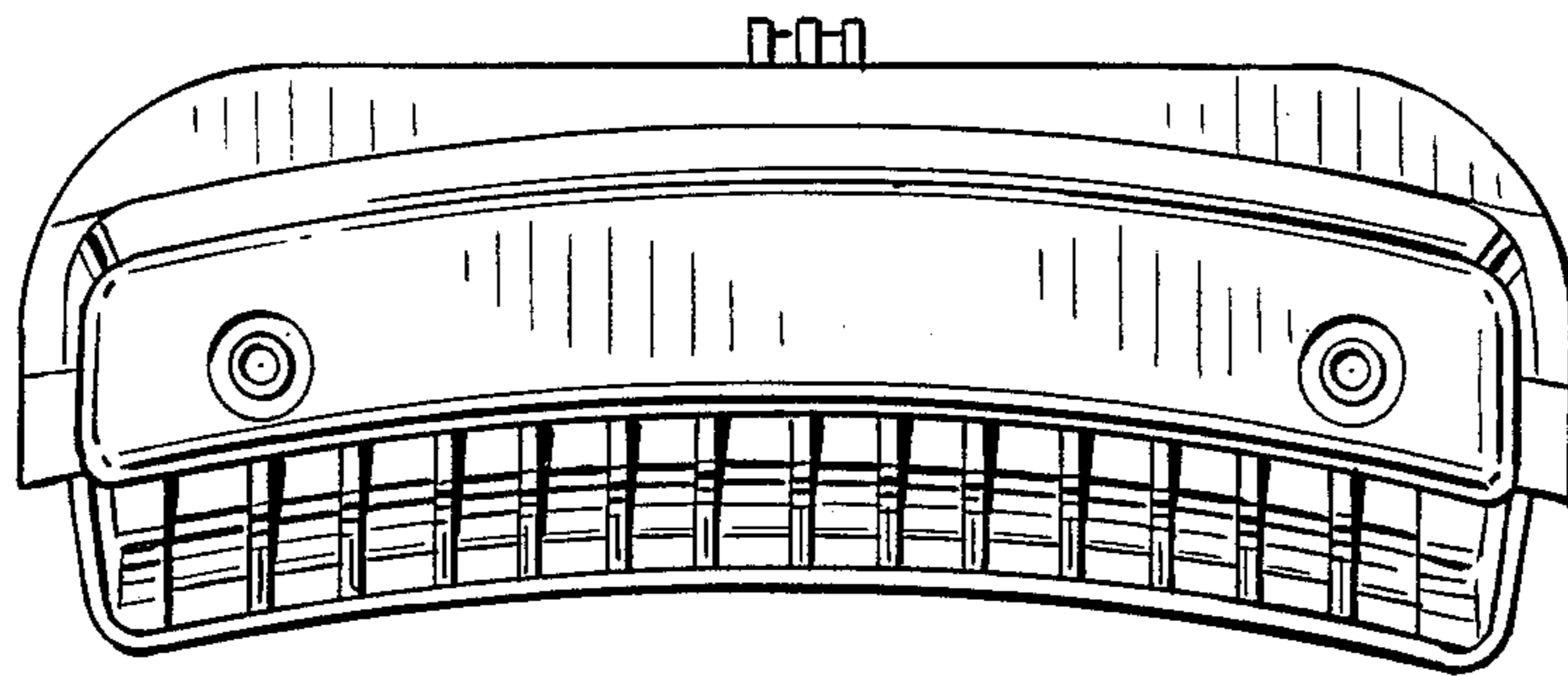
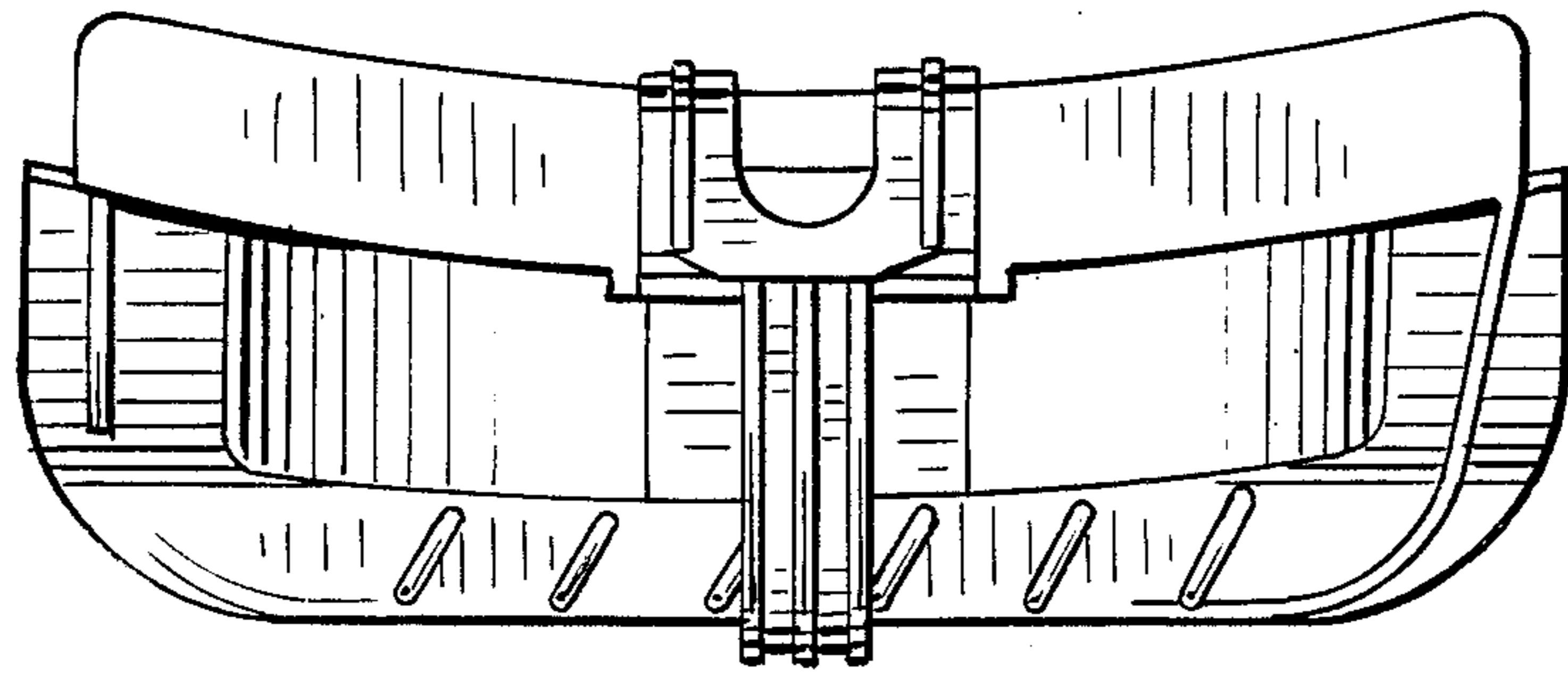


Fig. 8.