

[54] DOWNRIGGER MOUNTING BRACKET

[75] Inventor: Ronald L. Yoder, Topeka, Ind.

[73] Assignee: Universal Consolidated Methods, Inc., Topeka, Ind.

[**] Term: 14 Years

[21] Appl. No.: 176,400

[22] Filed: Mar. 31, 1988

[52] U.S. Cl. D22/134; D8/394

[58] Field of Search D22/134, 137; D8/394; 114/221; 43/21.2; 248/225.31, 231.7

[56] References Cited

U.S. PATENT DOCUMENTS

2,694,538	11/1954	Consolo et al.	248/231.7
2,828,096	3/1958	Beri	43/21.2
3,139,252	6/1964	Mann	43/21.2
4,106,737	8/1978	Arnett	248/231.7
4,739,575	4/1988	Behrle	43/21.2

4,852,290 8/1989 Wallace et al. 43/21.2

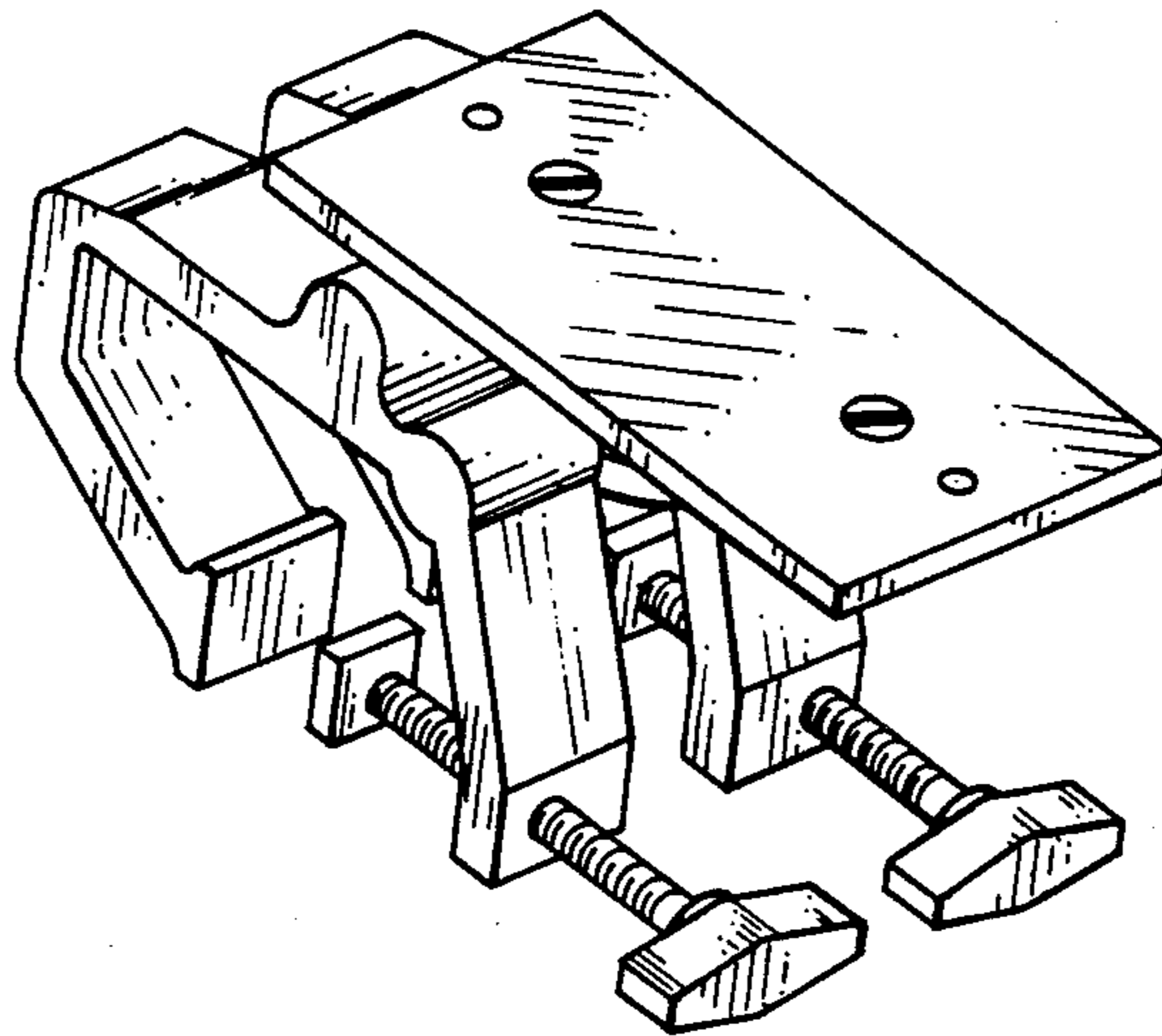
Primary Examiner—B. J. Bullock
Attorney, Agent, or Firm—Roger M. Rickert

[57] CLAIM

The ornamental design for a downrigger mounting bracket, as shown and described.

DESCRIPTION

FIG. 1 is a top perspective view of a downrigger mounting bracket showing my new design;
 FIG. 2 is an enlarged side elevational view of the side shown in FIG. 1;
 FIG. 3 is an enlarged top plan view thereof;
 FIG. 4 is an enlarged side elevational view of the side opposite that shown in FIG. 2;
 FIG. 5 is an enlarged bottom plan view thereof;
 FIG. 6 is an enlarged end elevational view taken from the left of FIG. 1;
 FIG. 7 is an enlarged end elevational view taken from the right of FIG. 1.



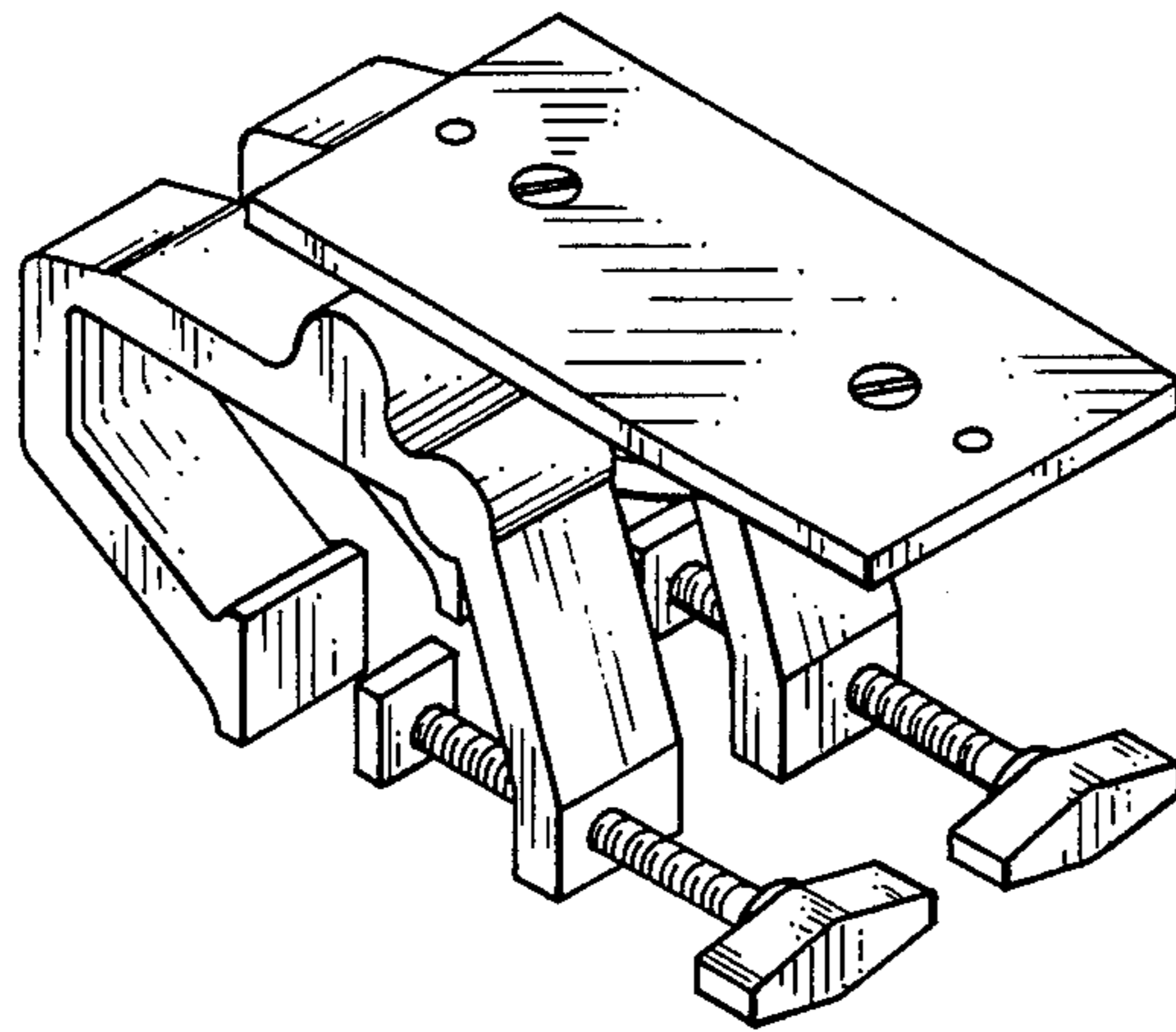


FIG. 1

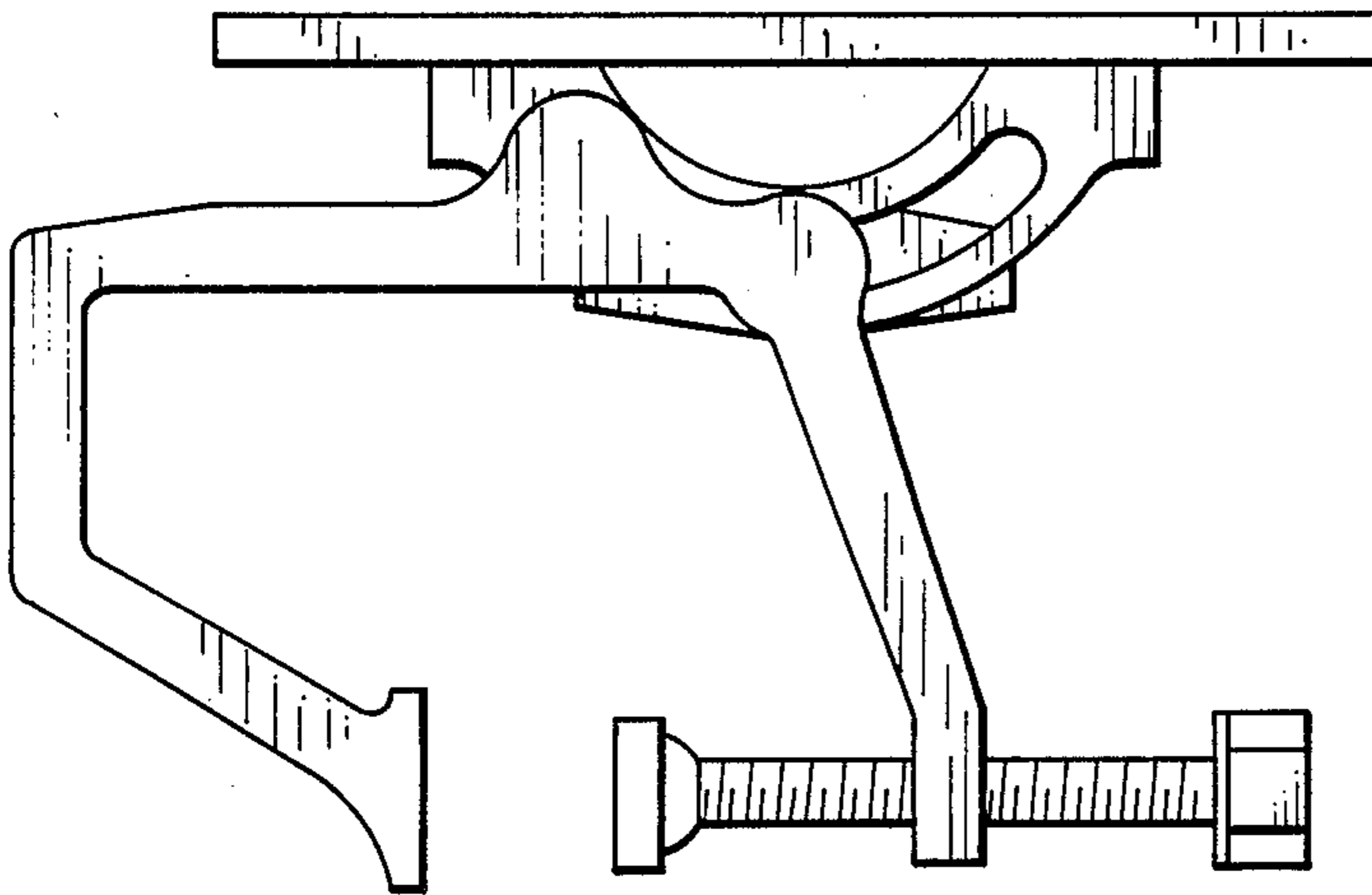
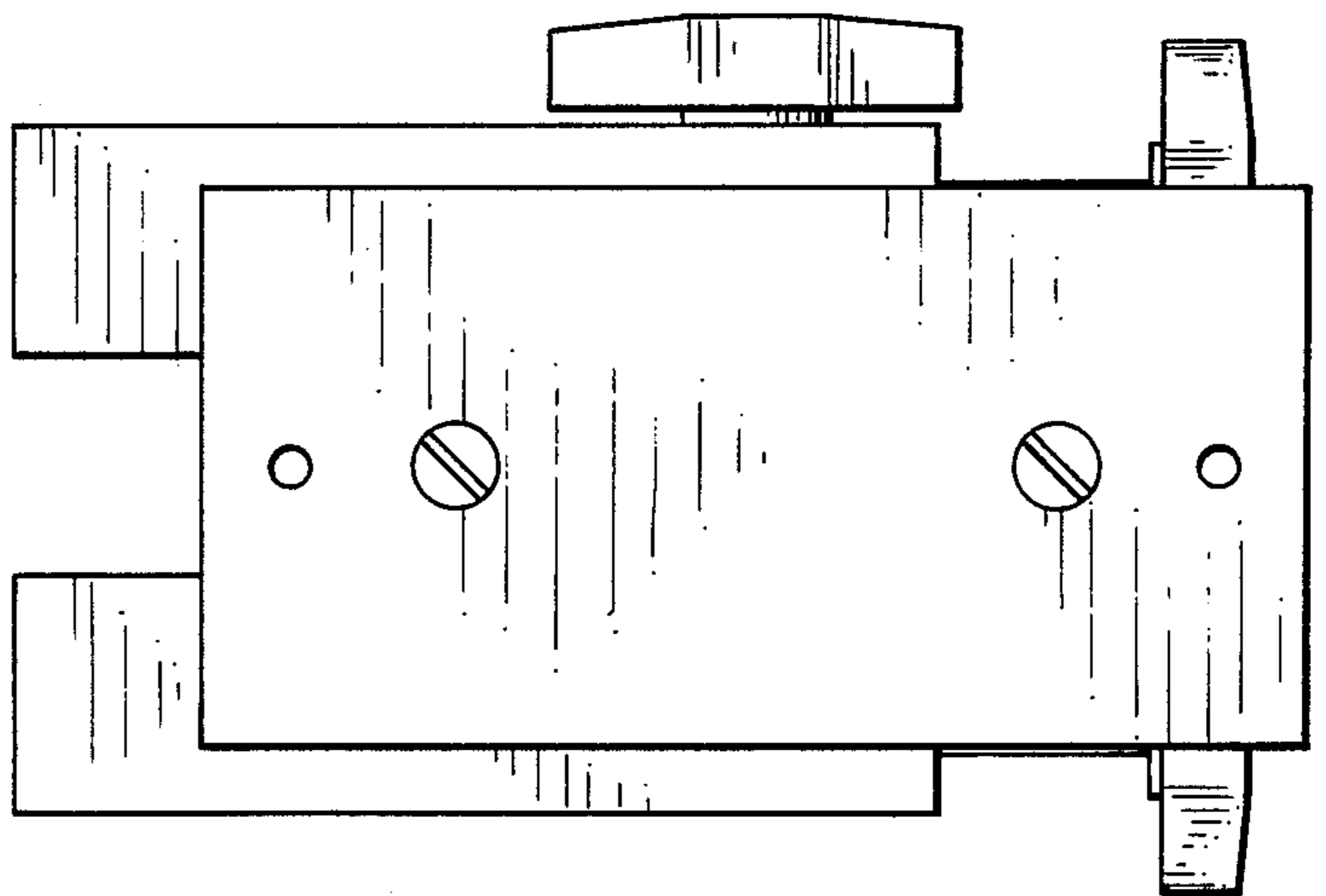


FIG. 2

FIG. 3



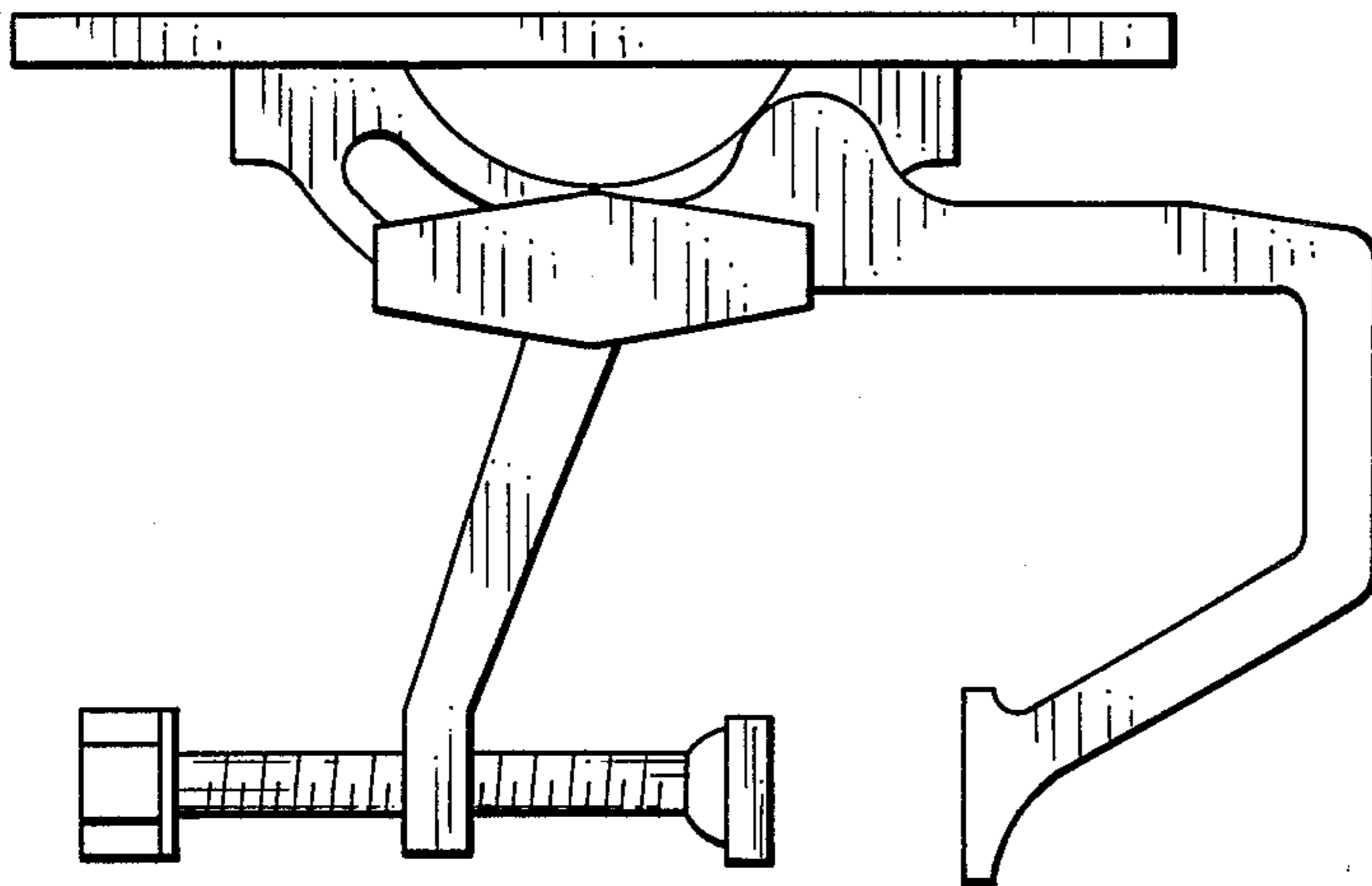


FIG. 4

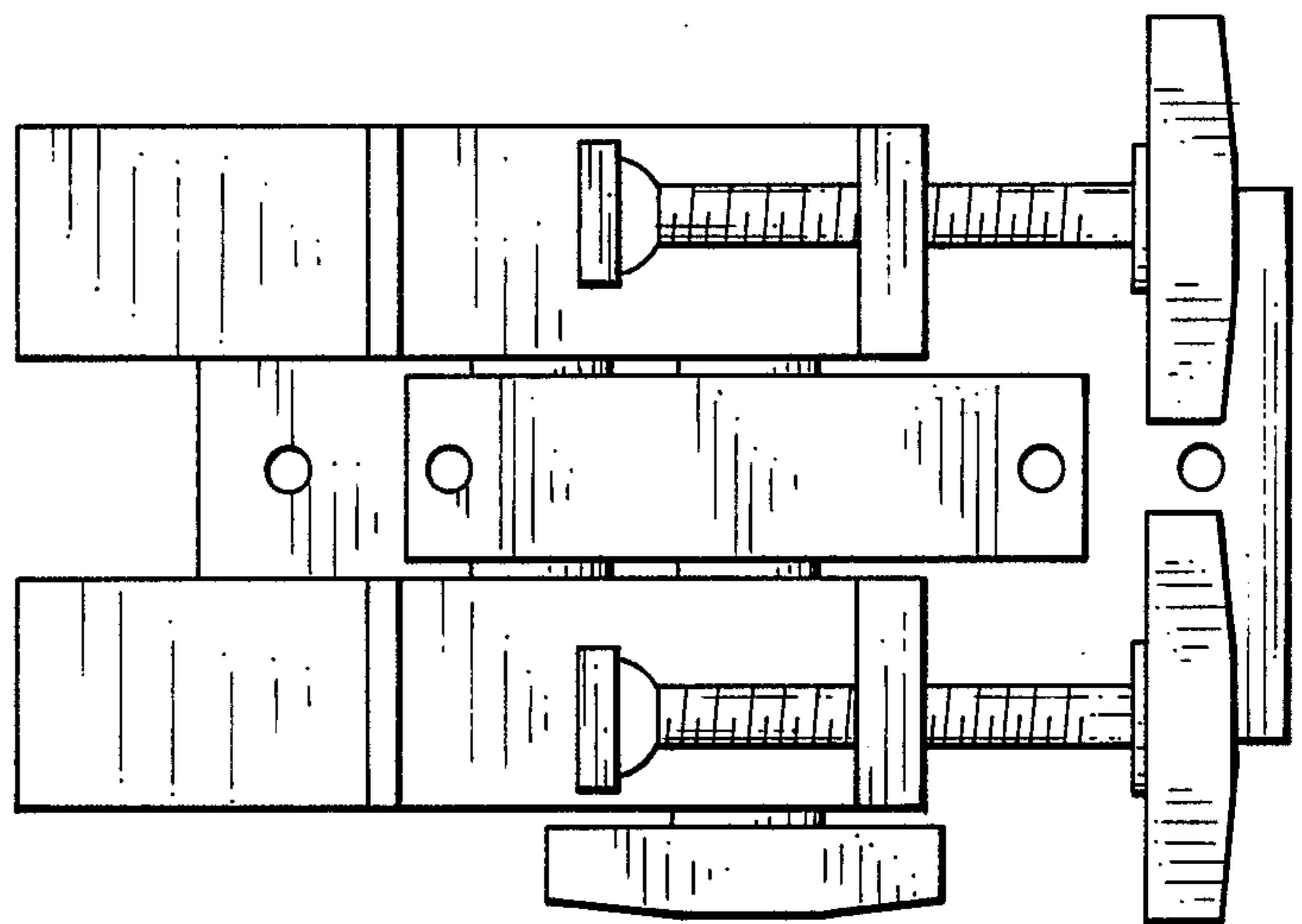


FIG. 5

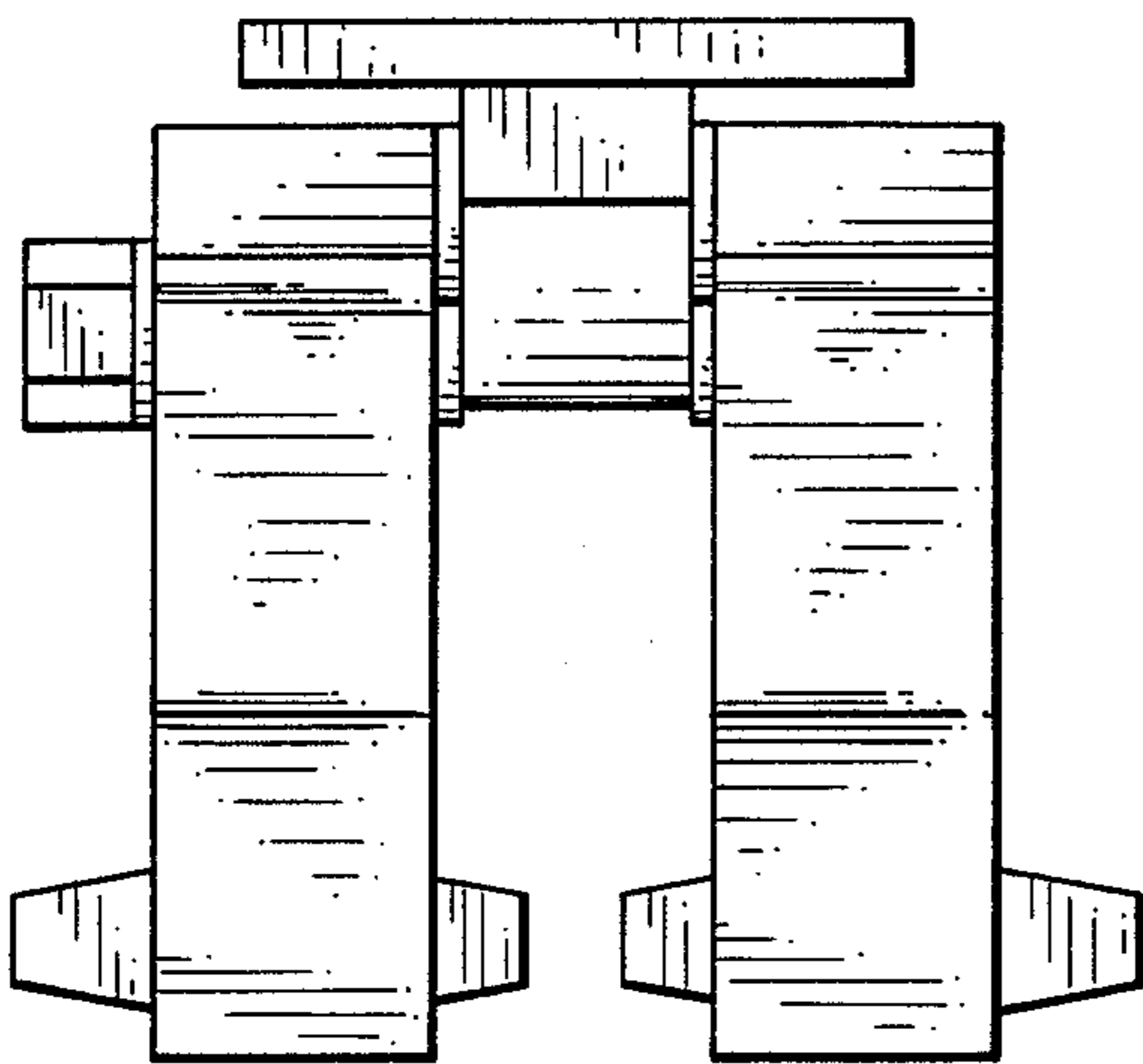


FIG. 6

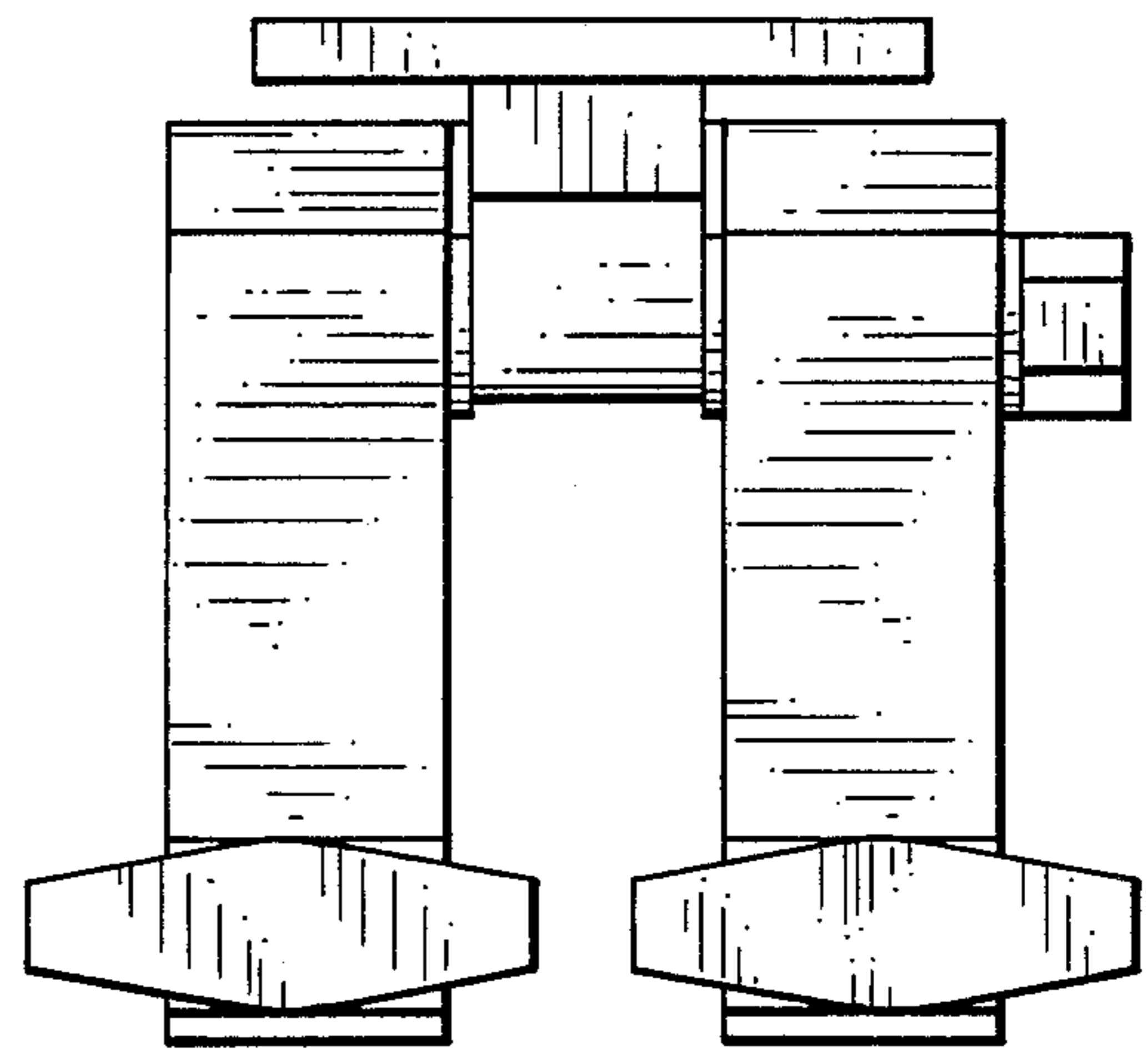


FIG. 7