

[54] **CHILD PLAY STRUCTURE**  
 [76] **Inventor: William J. Goodwin, Rte. 4, Wills Point, Tex. 75169**  
 [\*\*] **Term: 14 Years**  
 [21] **Appl. No.: 60,423**  
 [22] **Filed: Jun. 11, 1987**  
 [52] **U.S. Cl. .... D21/240; D6/338**  
 [58] **Field of Search ..... D21/240-252, D21/112; D25/102-125; D6/421, 334-338, 367, 371, 380, 390, 396-397; 272/1 R, 1 A; 446/476-485, 114-125; 297/170-174; 434/432**

3,952,506 7/1971 Breslow ..... 434/432 X  
**FOREIGN PATENT DOCUMENTS**  
 244365 12/1925 United Kingdom ..... 446/482

**OTHER PUBLICATIONS**

Rim Pedagogic, Educational Furniture and Toys. Interiors 5/1984, p. 281.  
 Industrial Design, 12-1969, p. 58.  
 Whitney Brothers Co. Cat., 3/1970, p. 3.  
*Primary Examiner*—Charles A. Rademaker  
*Assistant Examiner*—C. Tuttle  
*Attorney, Agent, or Firm*—Johnson & Gibbs

[56] **References Cited**  
**U.S. PATENT DOCUMENTS**

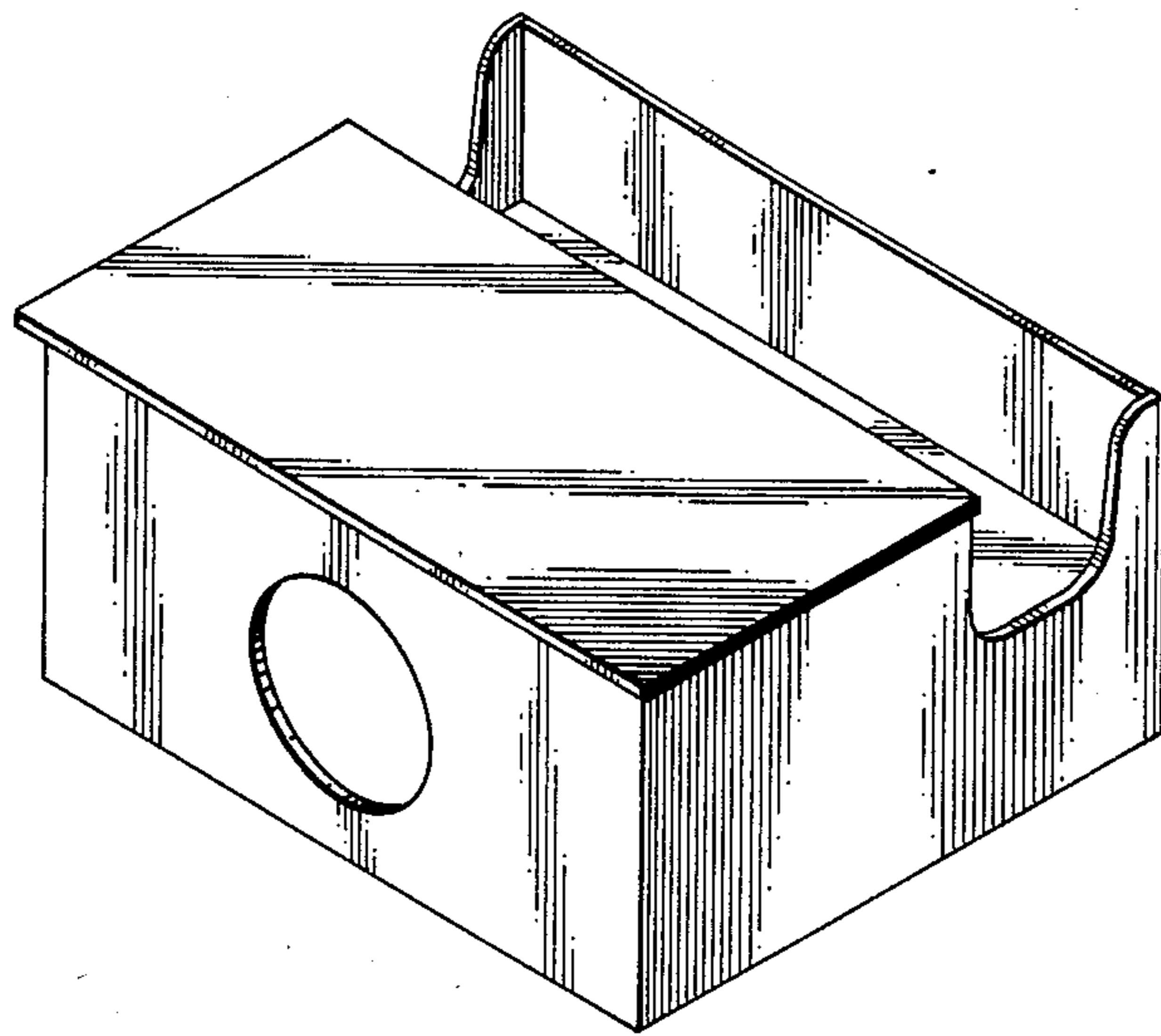
- D. 49,667 9/1916 Landing ..... D25/124
- D. 139,016 10/1944 Kramer ..... 297/172 X
- D. 140,217 1/1945 Skolnik ..... D6/374 X
- D. 140,992 4/1945 Belling ..... D6/338
- D. 153,373 4/1949 Metro ..... D6/338
- D. 179,476 1/1957 Field ..... D30/118
- D. 203,587 2/1966 Black ..... D6/333
- D. 218,420 8/1970 Weidner ..... D6/390
- D. 228,537 10/1973 Jennings ..... D6/338
- D. 232,314 8/1974 Markusen ..... D21/245
- D. 246,683 12/1977 Cagle ..... D6/370 X
- D. 257,749 1/1981 Davis ..... D6/374
- 1,379,648 5/1921 Niebel ..... 446/482 X

[57] **CLAIM**

The ornamental design for the child play structure, as shown and described.

**DESCRIPTION**

FIG. 1 is a top perspective view of a child play structure showing my new design;  
 FIG. 2 is a right side elevational view thereof the opposite is a mirror image of the side shown;  
 FIG. 3 is a rear elevational view thereof;  
 FIG. 4 is a front elevational view thereof;  
 FIG. 5 is a top plan view thereof;  
 FIG. 6 is a bottom plan view thereof; and  
 FIG. 7 is a bottom perspective view thereof.



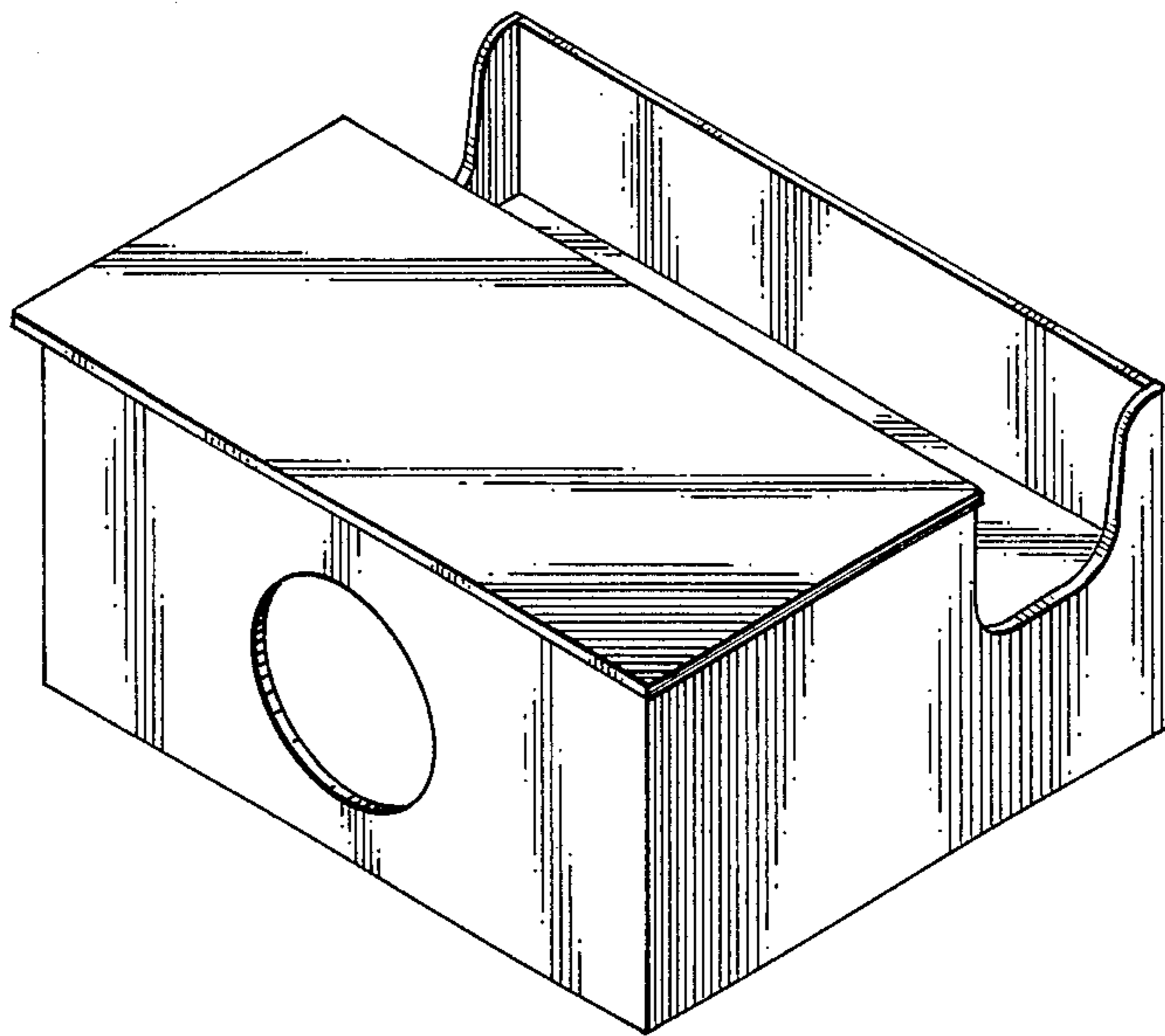


FIG. 1

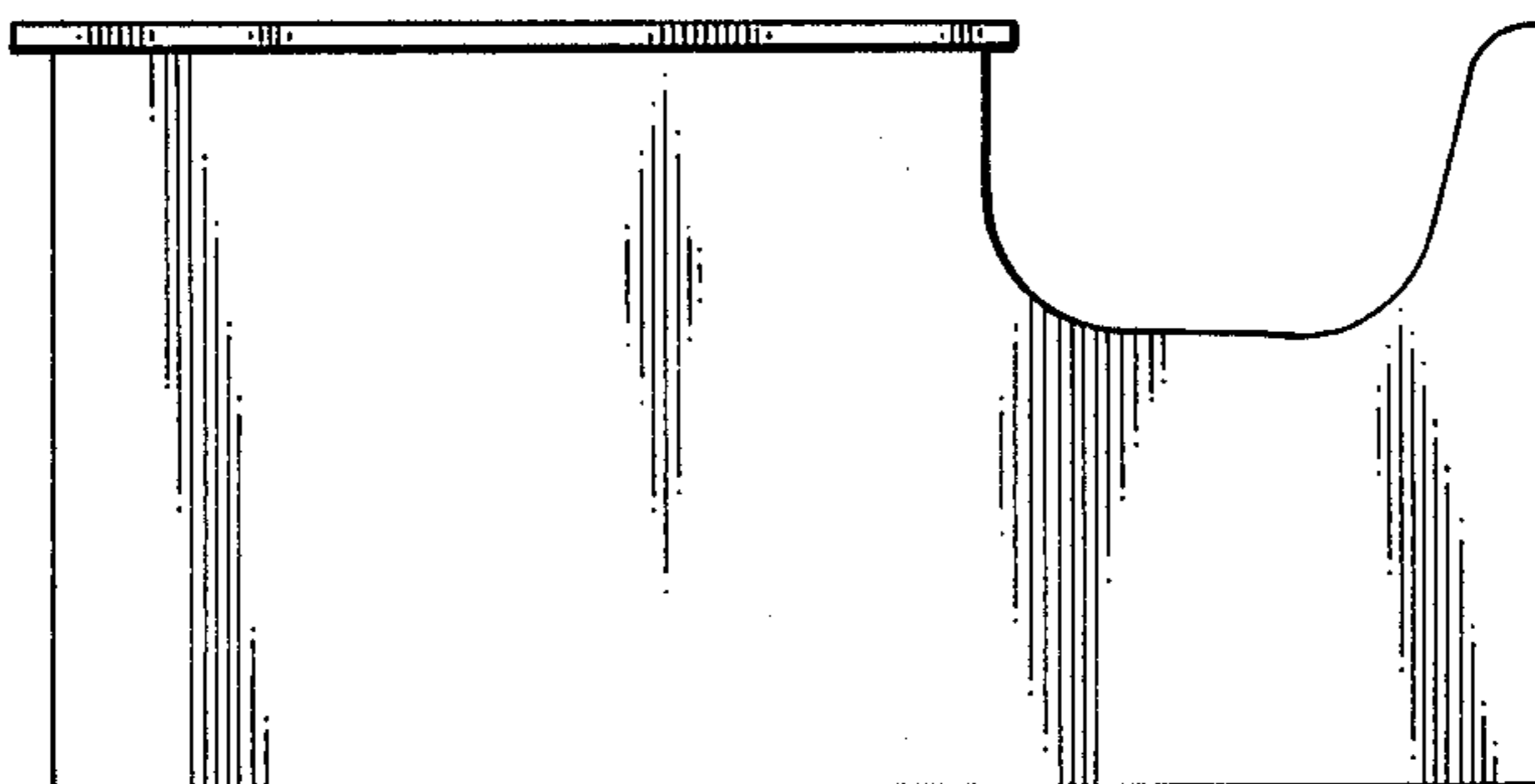


FIG. 2

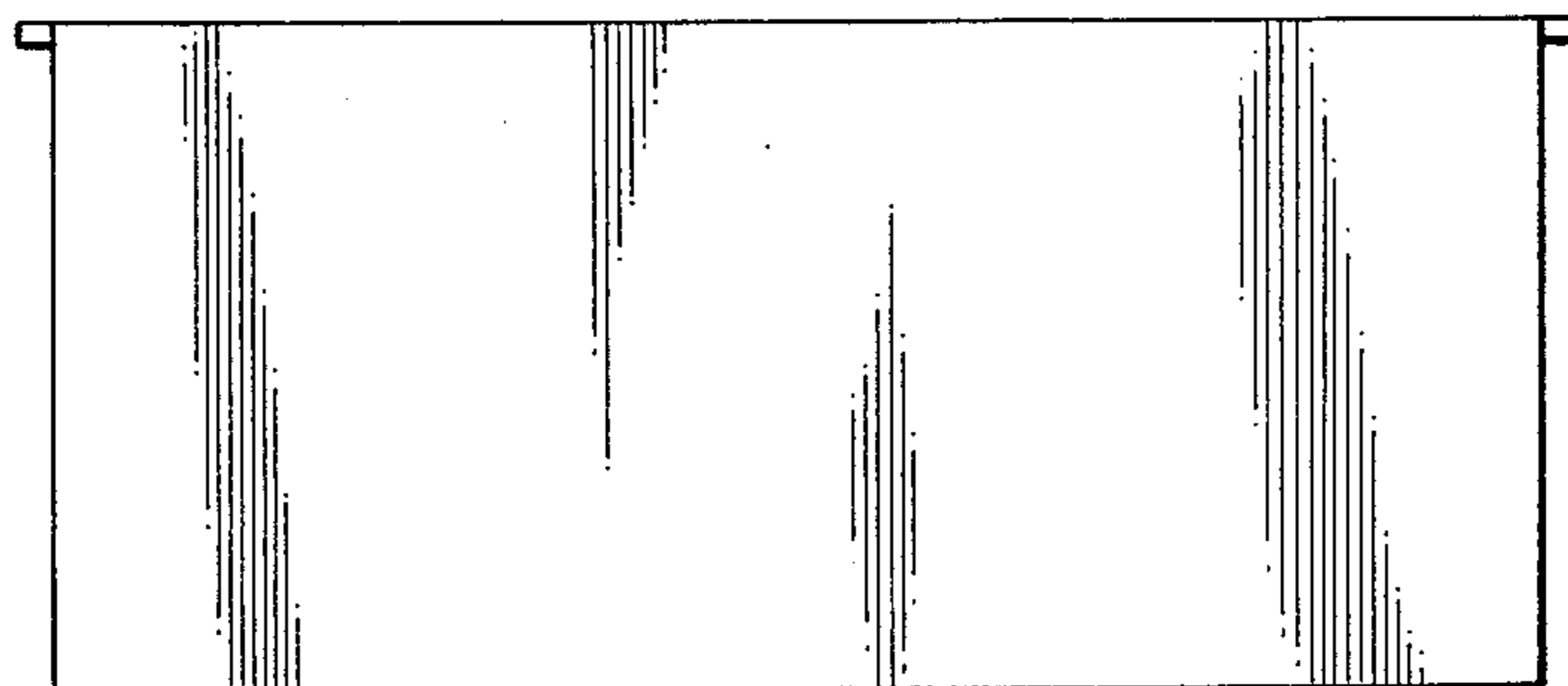


FIG. 3

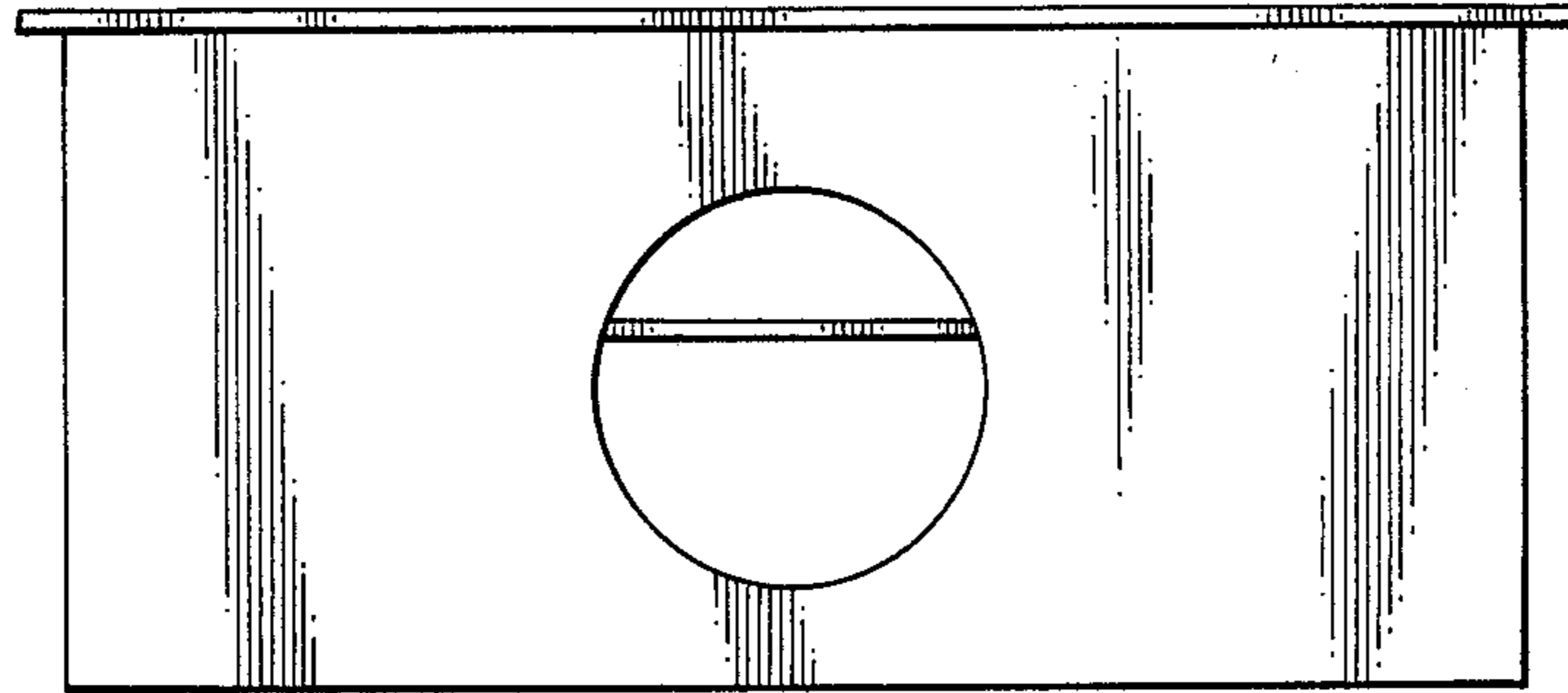


FIG. 4

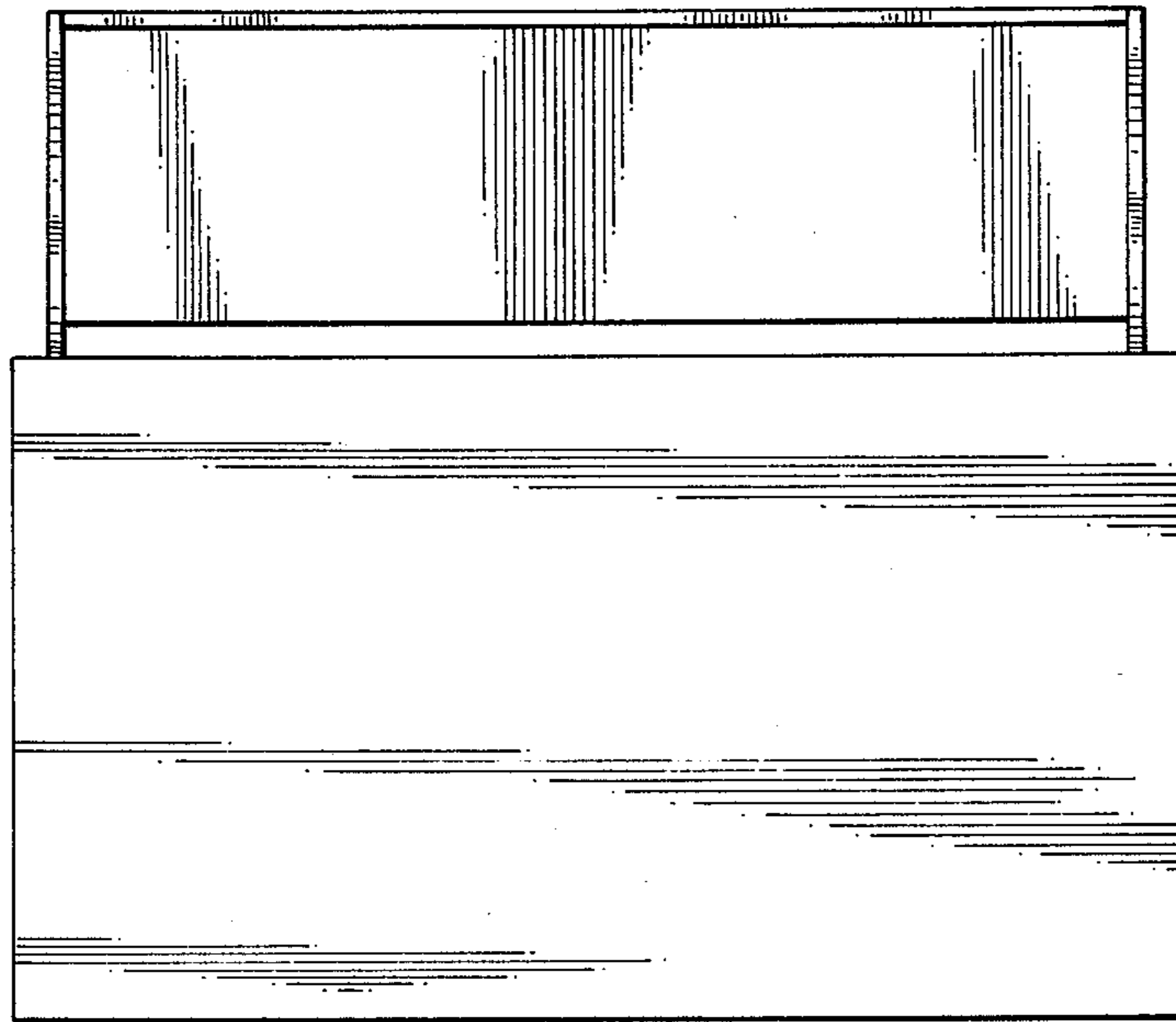


FIG. 5

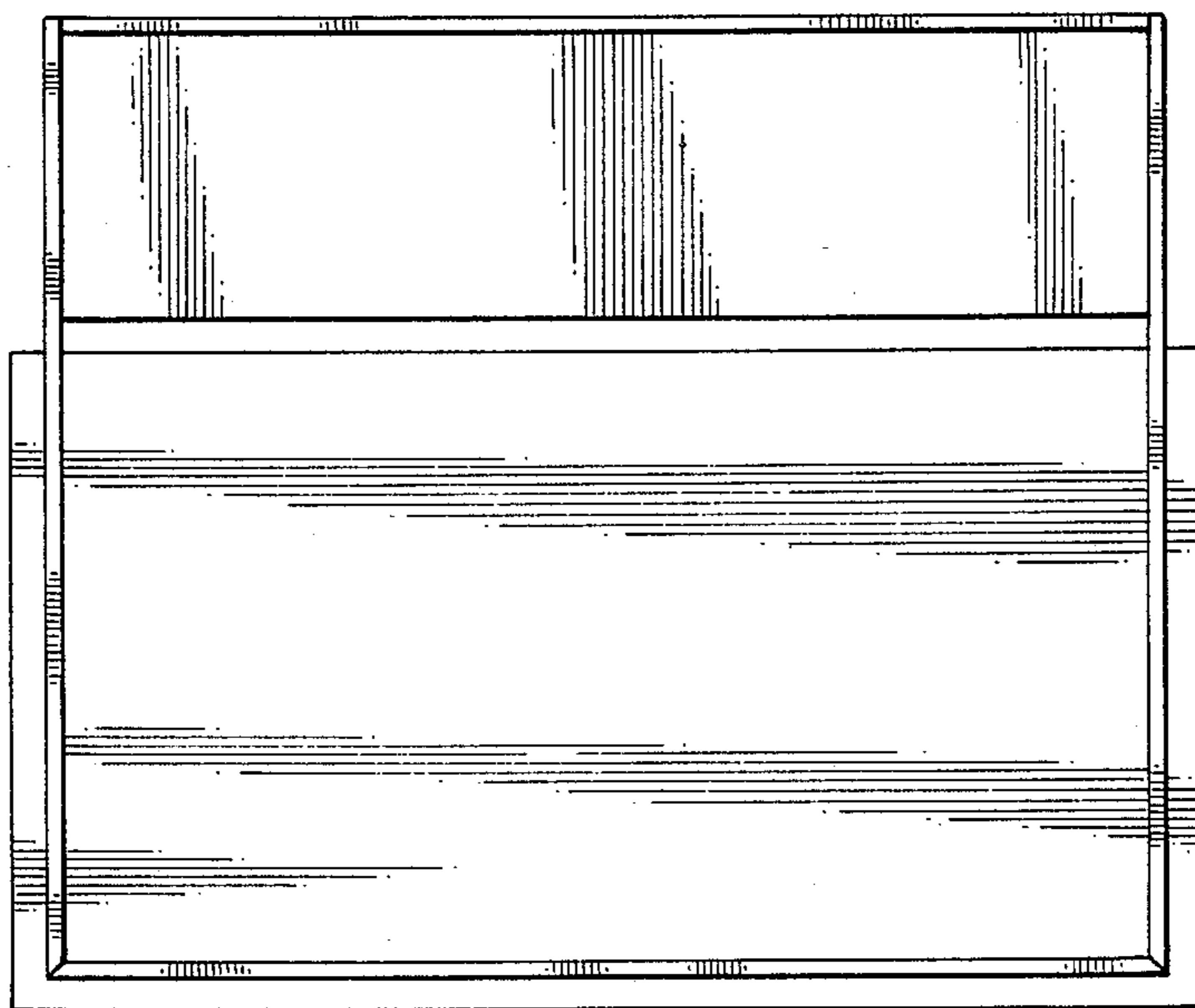
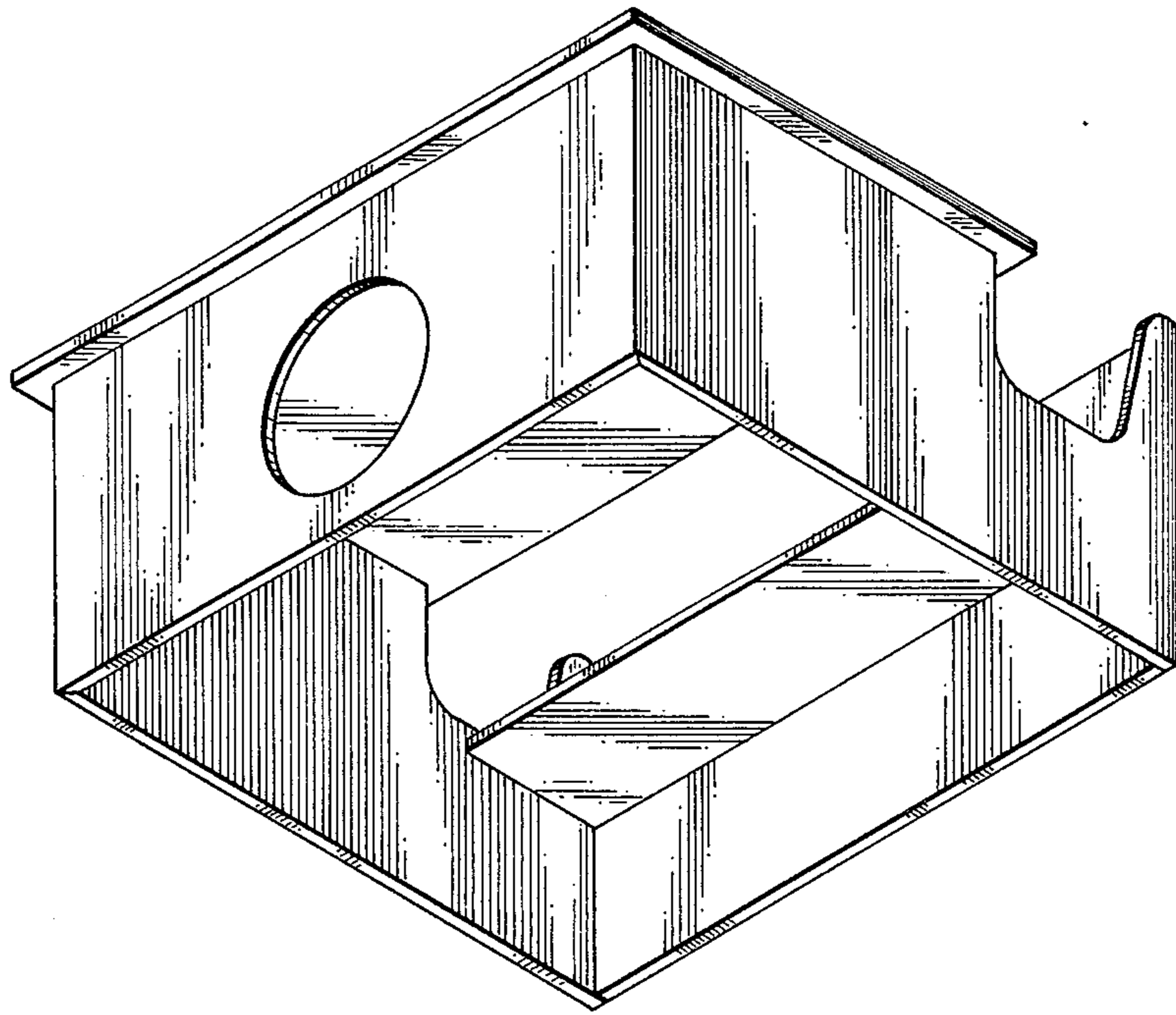


FIG. 6



**FIG. 7**