

[54] **SURFING BOAT**

[76] **Inventor: Herry Chang, No. 371-7, Hsin Ming Road, Nei Hu District, Taipei, Taiwan**

[**] **Term: 14 Years**

[21] **Appl. No.: 179,891**

[22] **Filed: Mar. 28, 1988**

[52] **U.S. Cl. D21/237; D12/316; D21/236**

[58] **Field of Search D21/236, 237, 228; D12/316; 441/130, 131, 129, 132**

[56] **References Cited**

U.S. PATENT DOCUMENTS

D. 299,941	2/1989	Chang	D21/236
1,461,911	7/1923	Jordahn	441/129
3,088,139	5/1963	Baisch	441/132

3,455,571	7/1969	Dallera et al.	D21/237
3,740,095	6/1973	Nail	441/130
3,860,976	1/1975	Suyama	D21/237

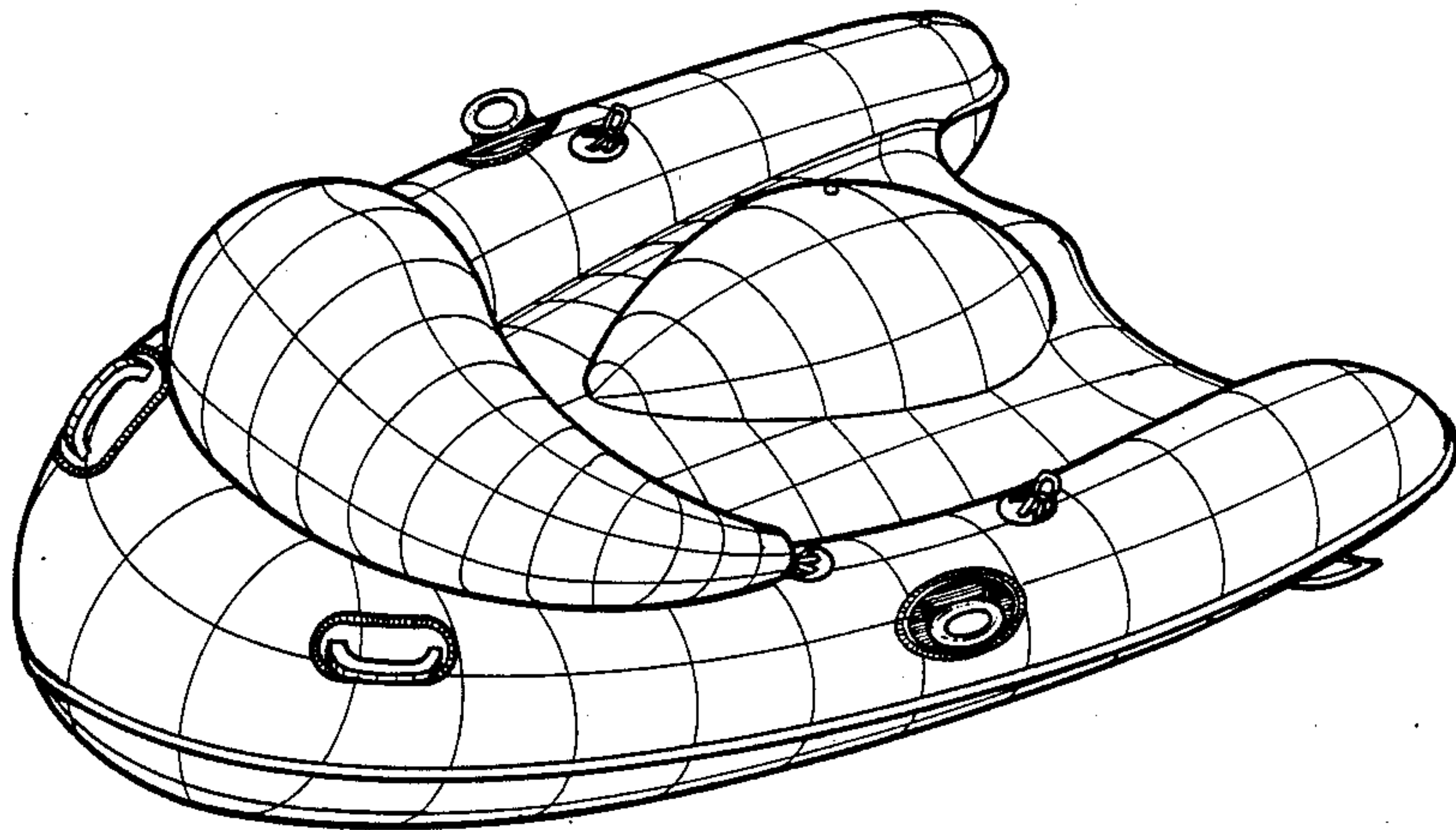
Primary Examiner—Wallace R. Burke
Assistant Examiner—Kay H. Chin
Attorney, Agent, or Firm—Lowe, Price, LeBlanc, Becker & Shur

[57] **CLAIM**

The ornamental design for a surfing boat, as shown.

DESCRIPTION

FIG. 1 is a front perspective view of a surfing boat showing my new design;
FIG. 2 is a front elevational view thereof;
FIG. 3 is a rear elevational view thereof;
FIG. 4 is a left side elevational view thereof;
FIG. 5 is a right side elevational view thereof;
FIG. 6 is a top plan view thereof; and
FIG. 7 is a bottom plan view thereof.



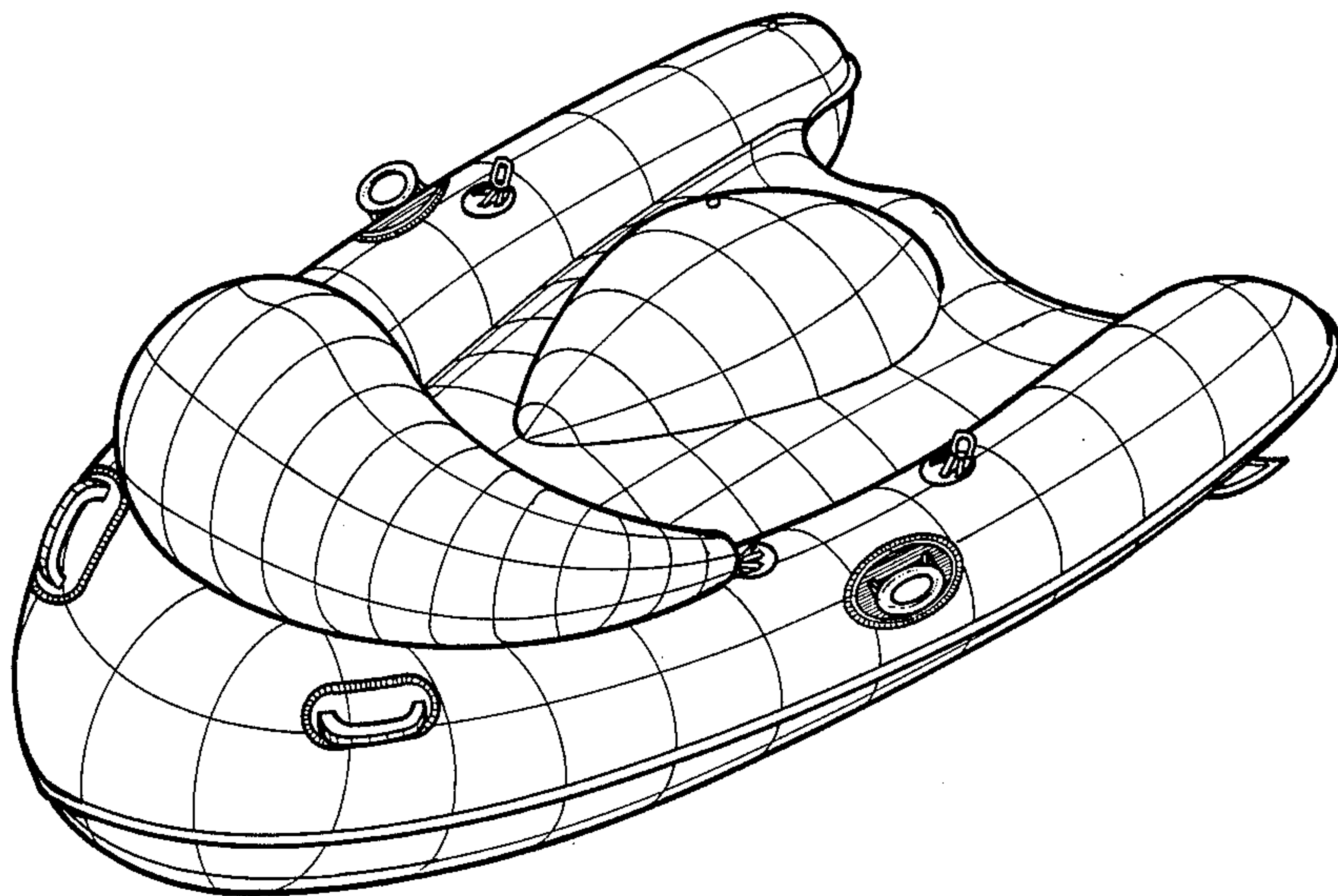


FIG. 1

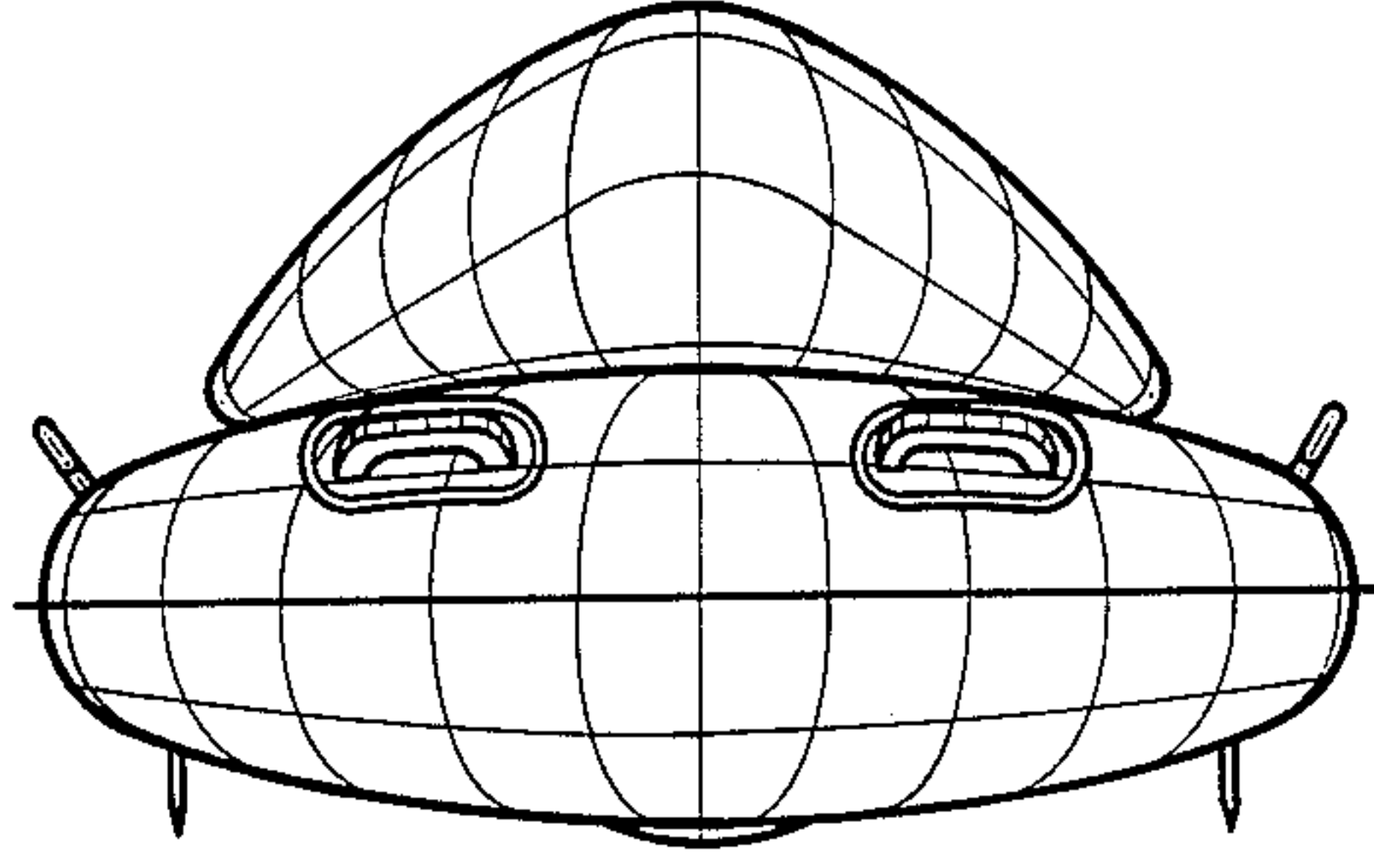


FIG . 2

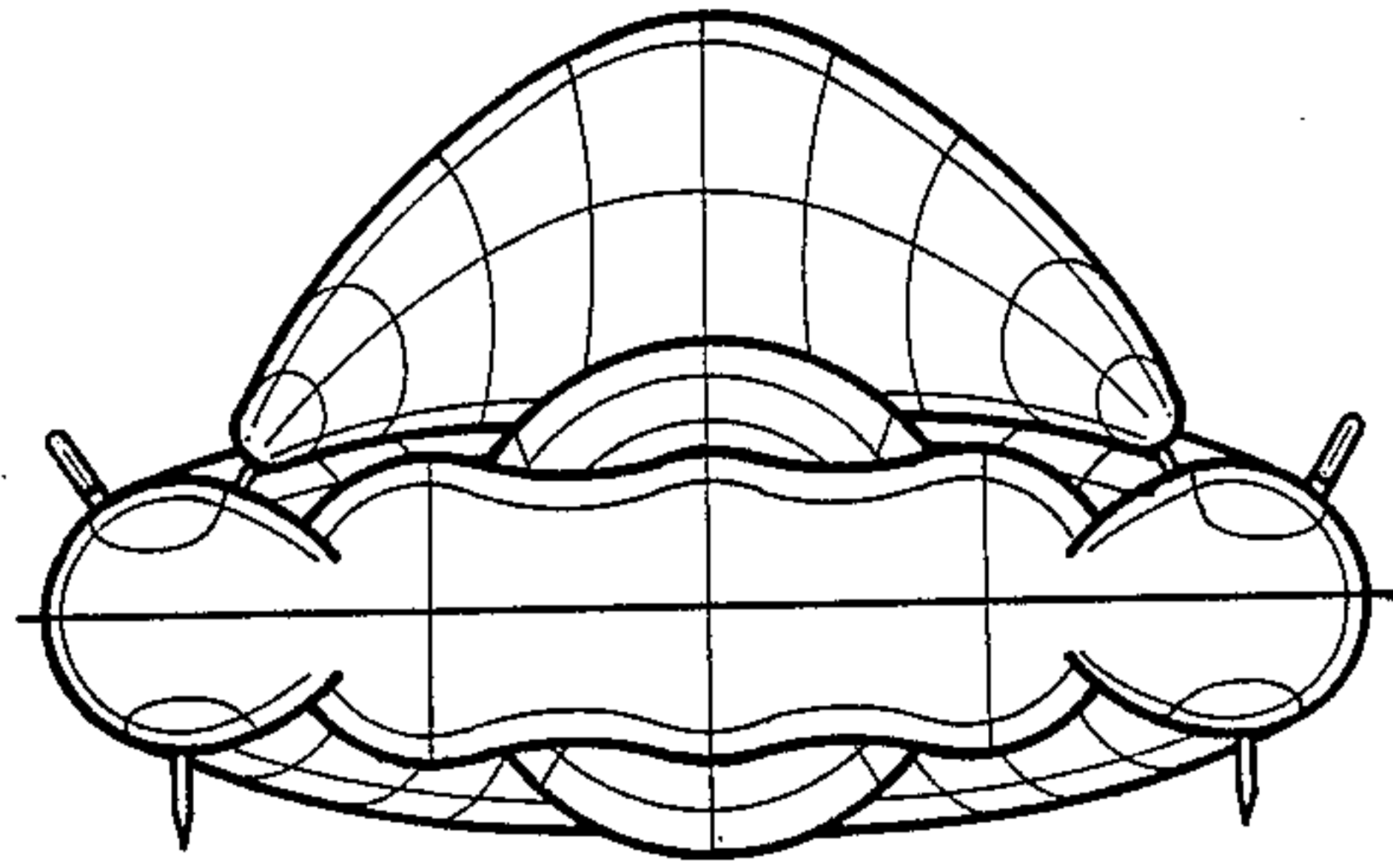


FIG . 3

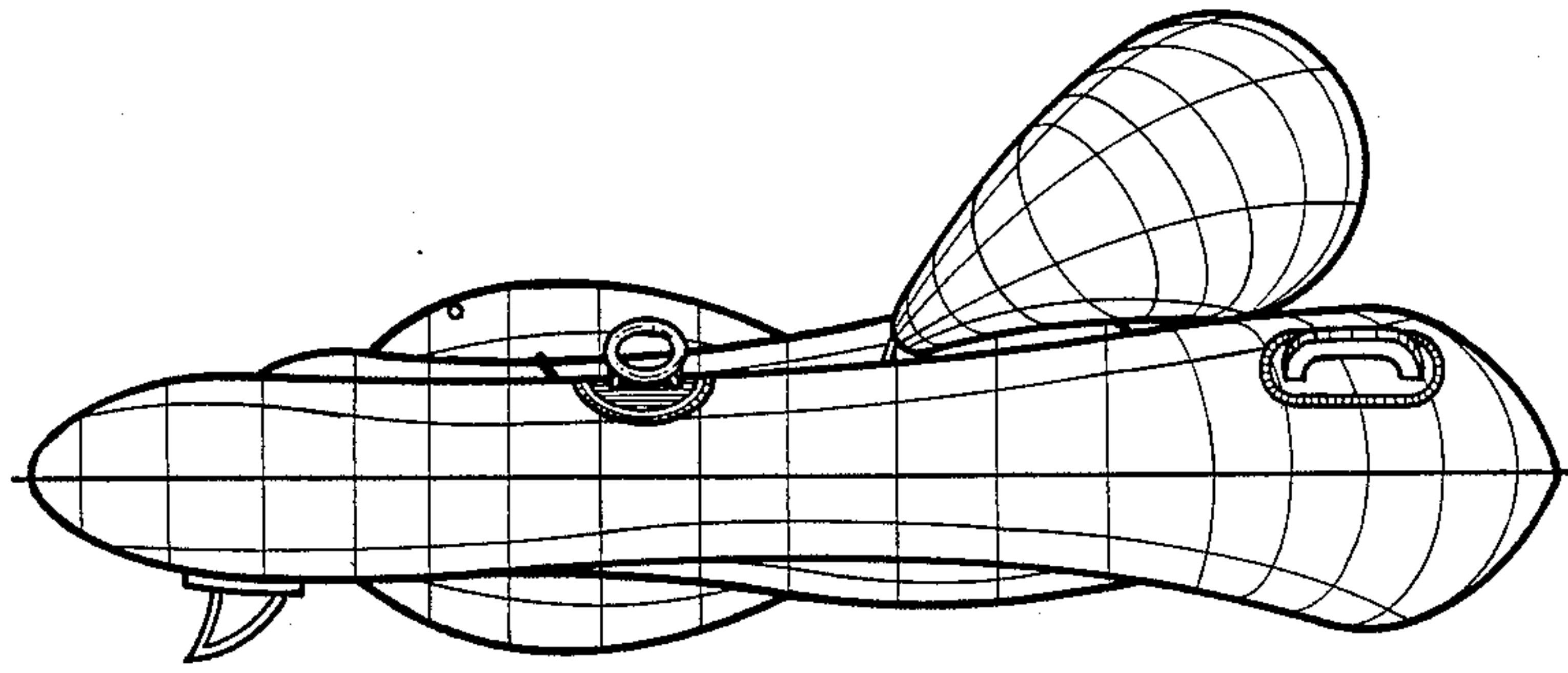


FIG. 4

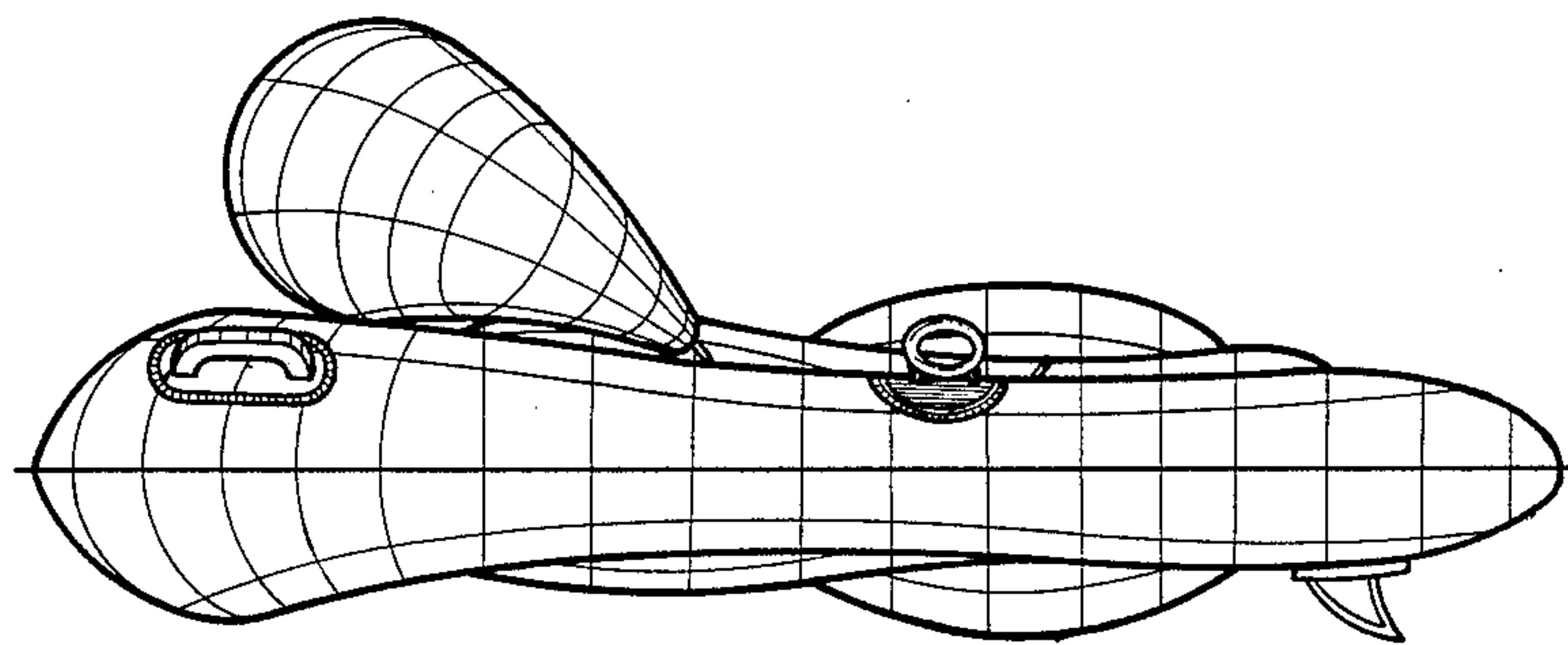


FIG. 5

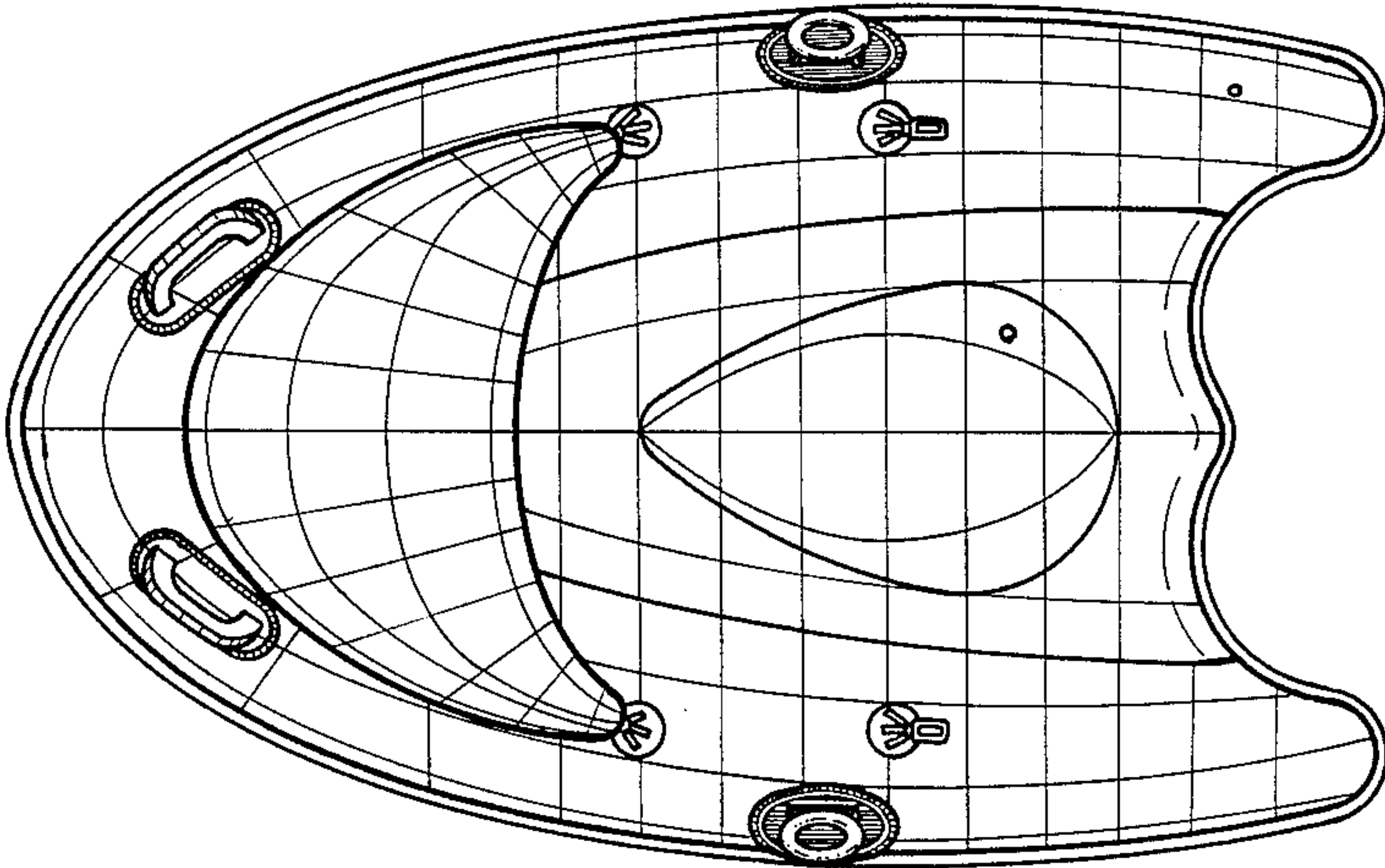


FIG . 6

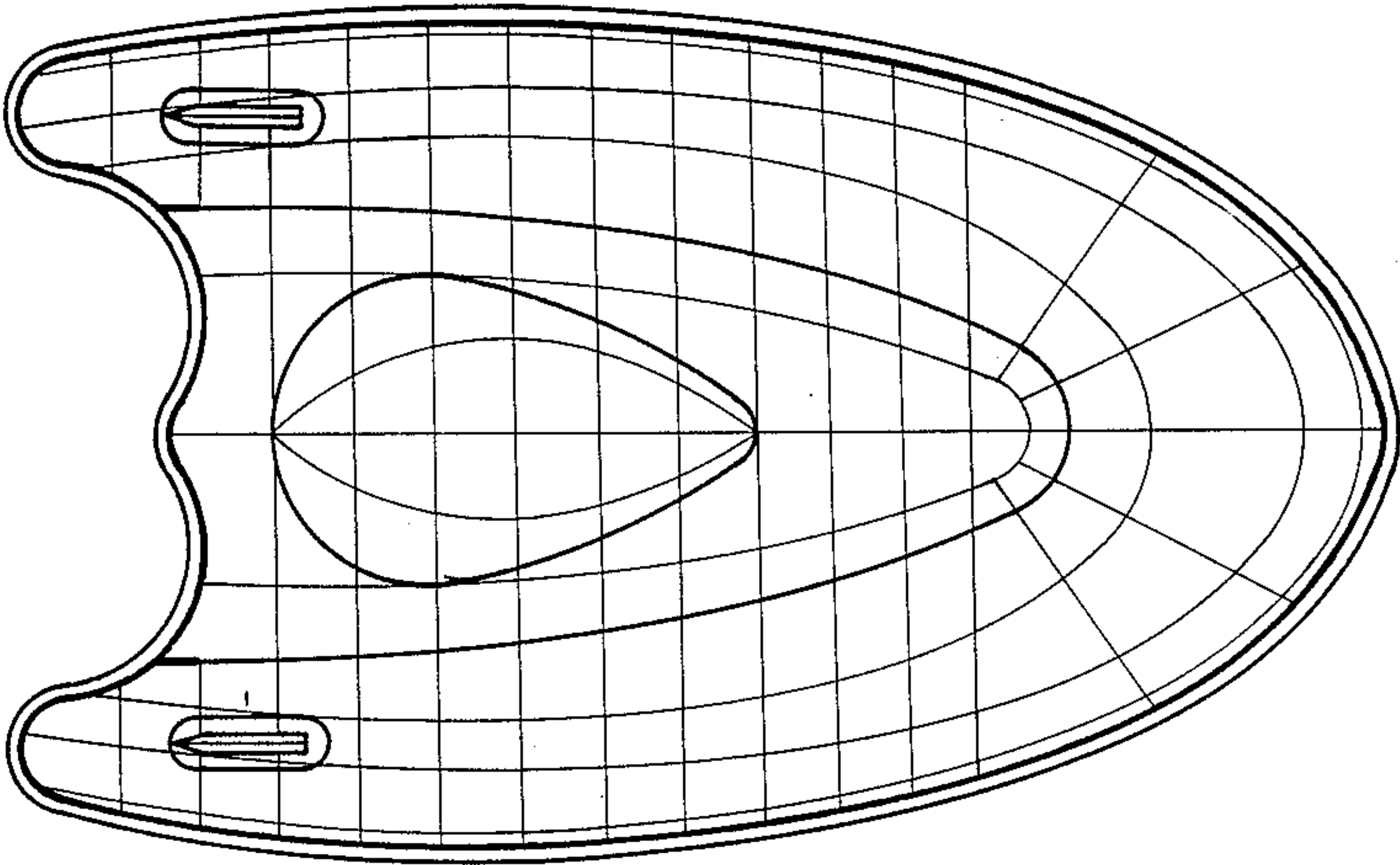


FIG . 7