

[54] TOY GUN

[76] Inventor: Giampiero Ferri, Via Vecchia Fiesolana No. 74, 50016 San Domenico, Fiesole, Firenze, Italy

[**] Term: 14 Years

[21] Appl. No.: 301,260

[22] Filed: Jan. 24, 1989

[30] Foreign Application Priority Data

Jul. 27, 1988 [IT] Italy 11698/88[U]

[52] U.S. Cl. D21/146

[58] Field of Search D21/145, 146, 147; D22/103, 104, 105; 446/15, 18, 20, 398, 401, 405

[56] References Cited

U.S. PATENT DOCUMENTS

- D. 170,023 7/1953 Maywald D21/147
- D. 170,091 7/1953 Maywald D21/147
- D. 174,731 5/1955 Barricks D21/147
- D. 175,643 9/1955 Reif D21/147

- D. 187,803 5/1960 Barricks D21/147
- D. 197,570 2/1964 Endris D21/96
- D. 260,666 9/1981 McAlpin et al. D21/146
- D. 260,667 9/1981 McAlpin et al. D21/147
- D. 302,848 8/1989 Kao D21/145
- 2,399,149 4/1946 Sigg 446/405
- 4,766,800 8/1988 Miller et al. D22/103

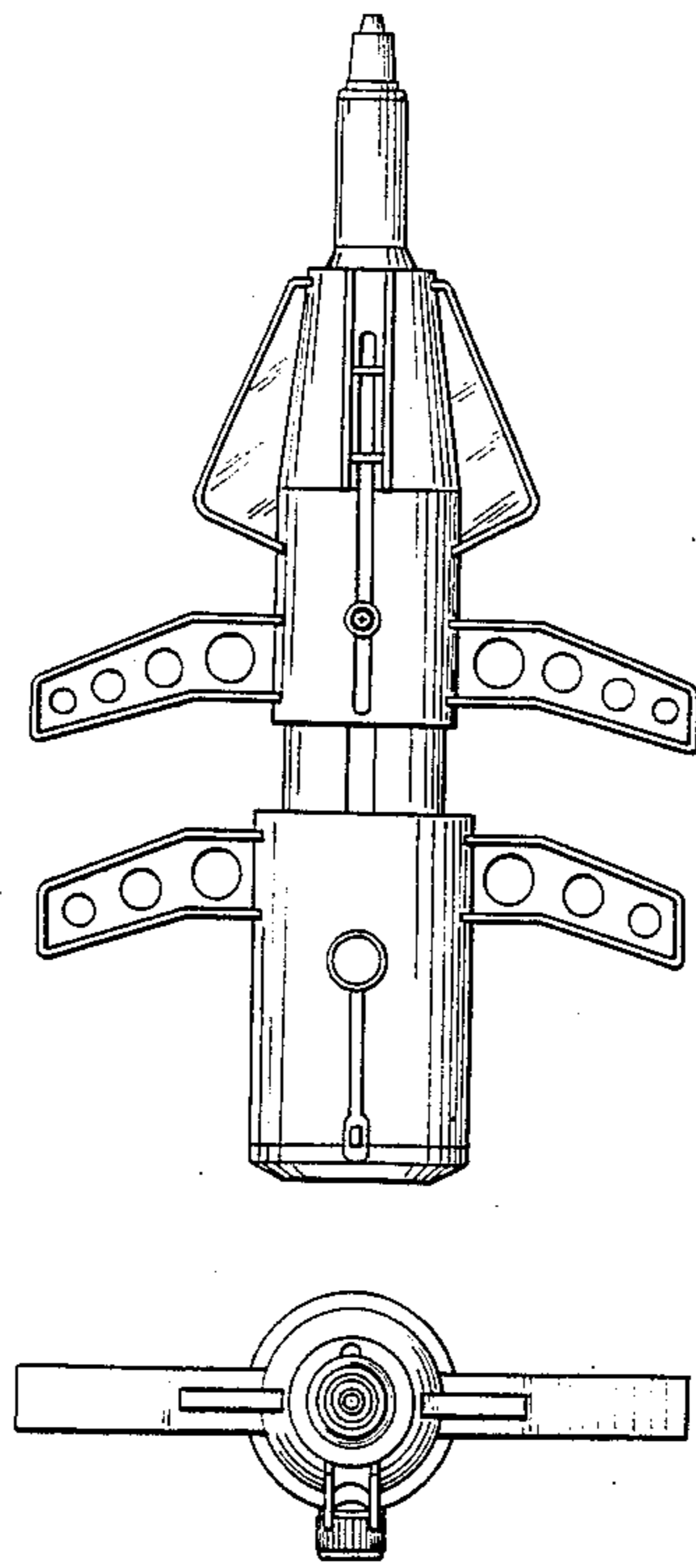
Primary Examiner—Charles A. Rademaker
Assistant Examiner—Alicia A. Farrell
Attorney, Agent, or Firm—Hopgood, Calimafde, Kalil, Blaustein & Judlowe

[57] CLAIM

The ornamental design for a toy gun, as shown and described.

DESCRIPTION

FIG. 1 is a top plan view of a toy gun showing my new design;
FIG. 2 is a front elevational view thereof;
FIG. 3 is a side elevational view thereof; the side opposite being a mirror image;
FIG. 4 is a bottom plan view thereof; and
FIG. 5 is a rear elevational view thereof.



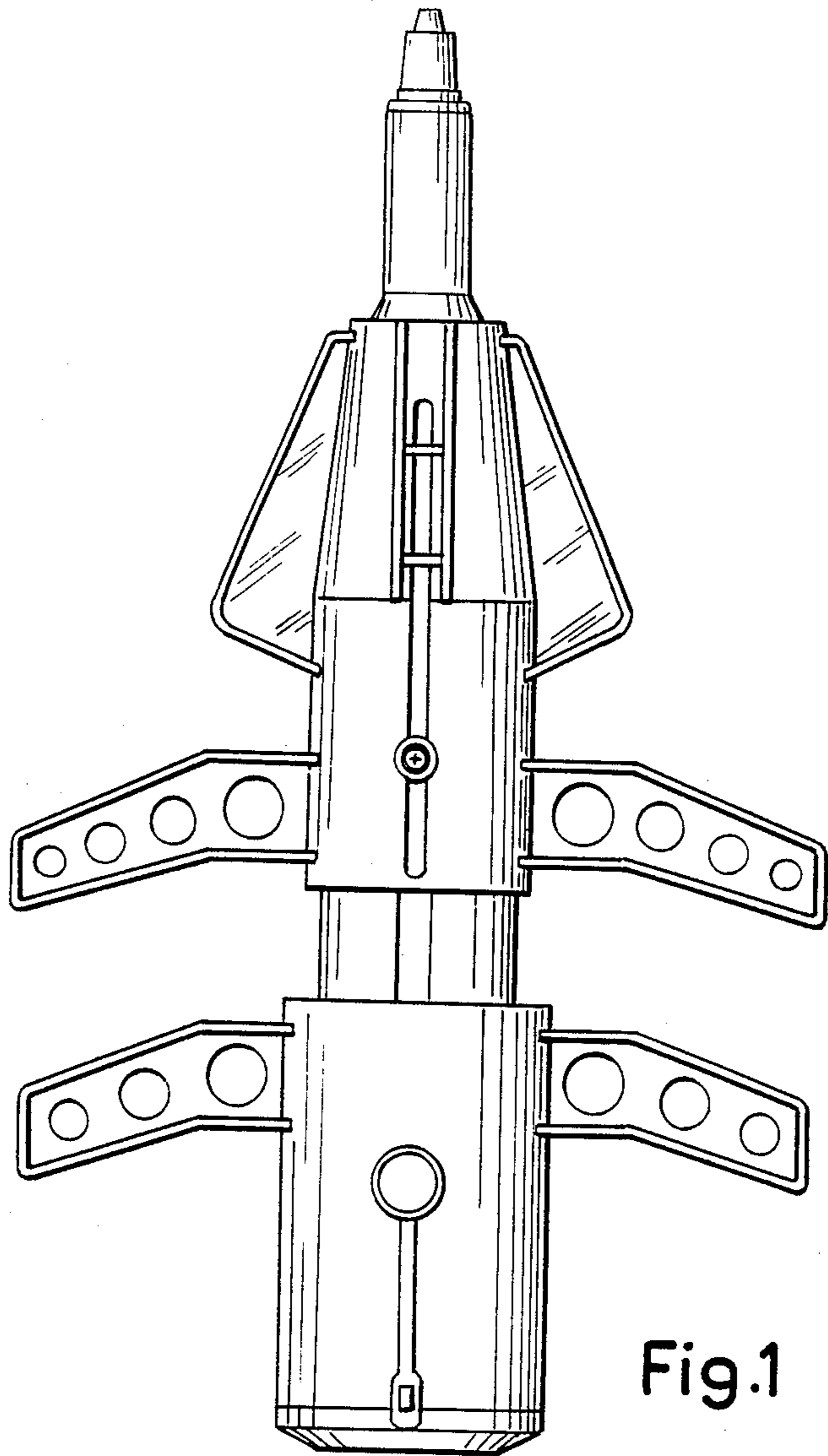


Fig.1

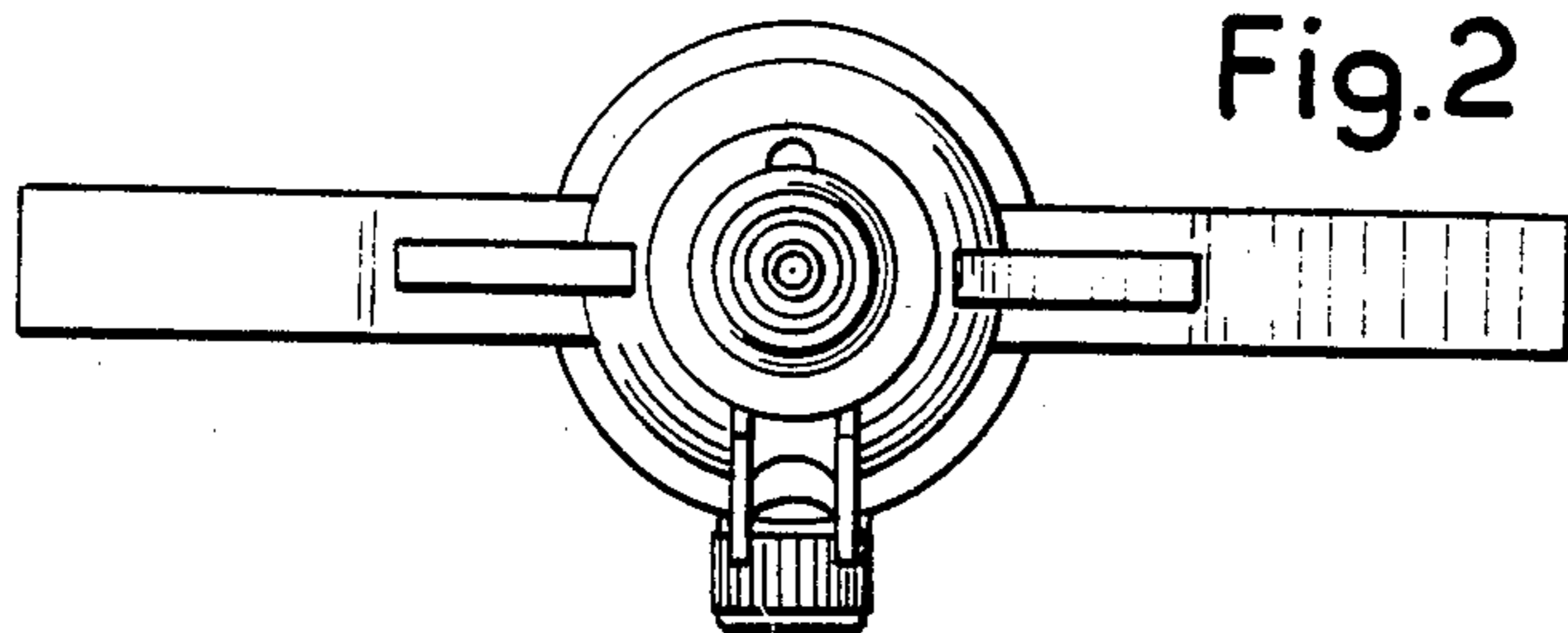


Fig.2

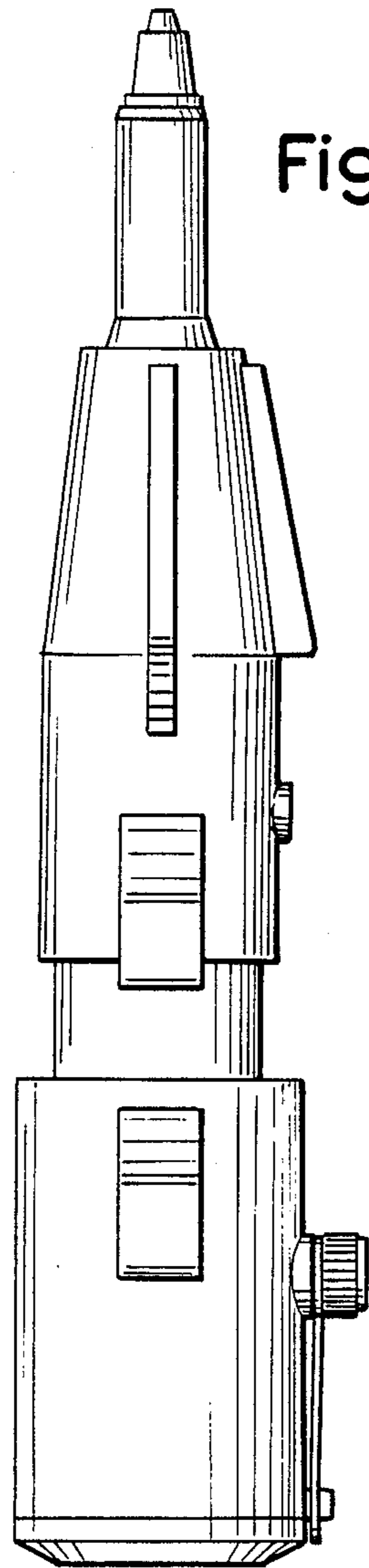


Fig.3

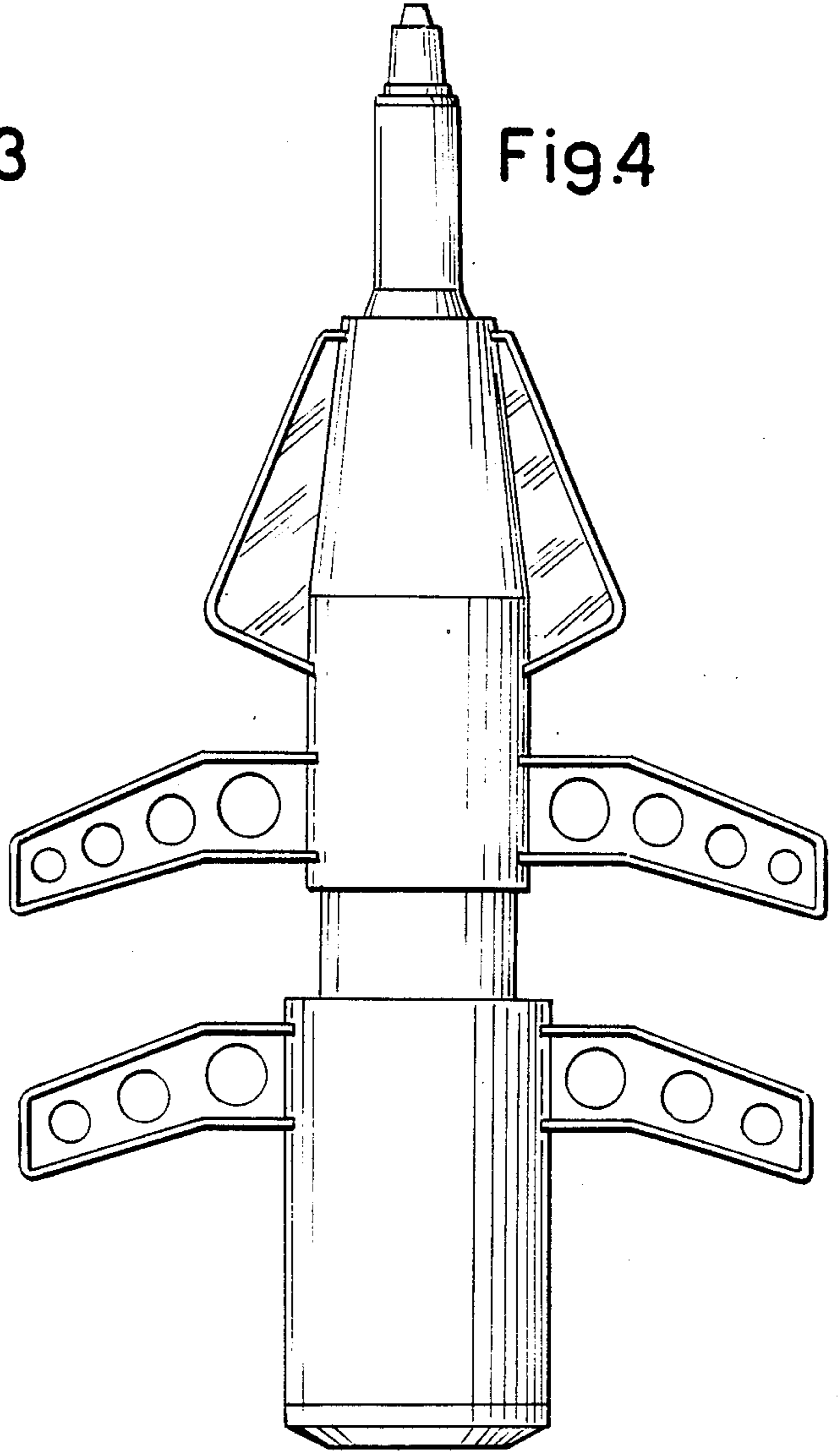


Fig.4

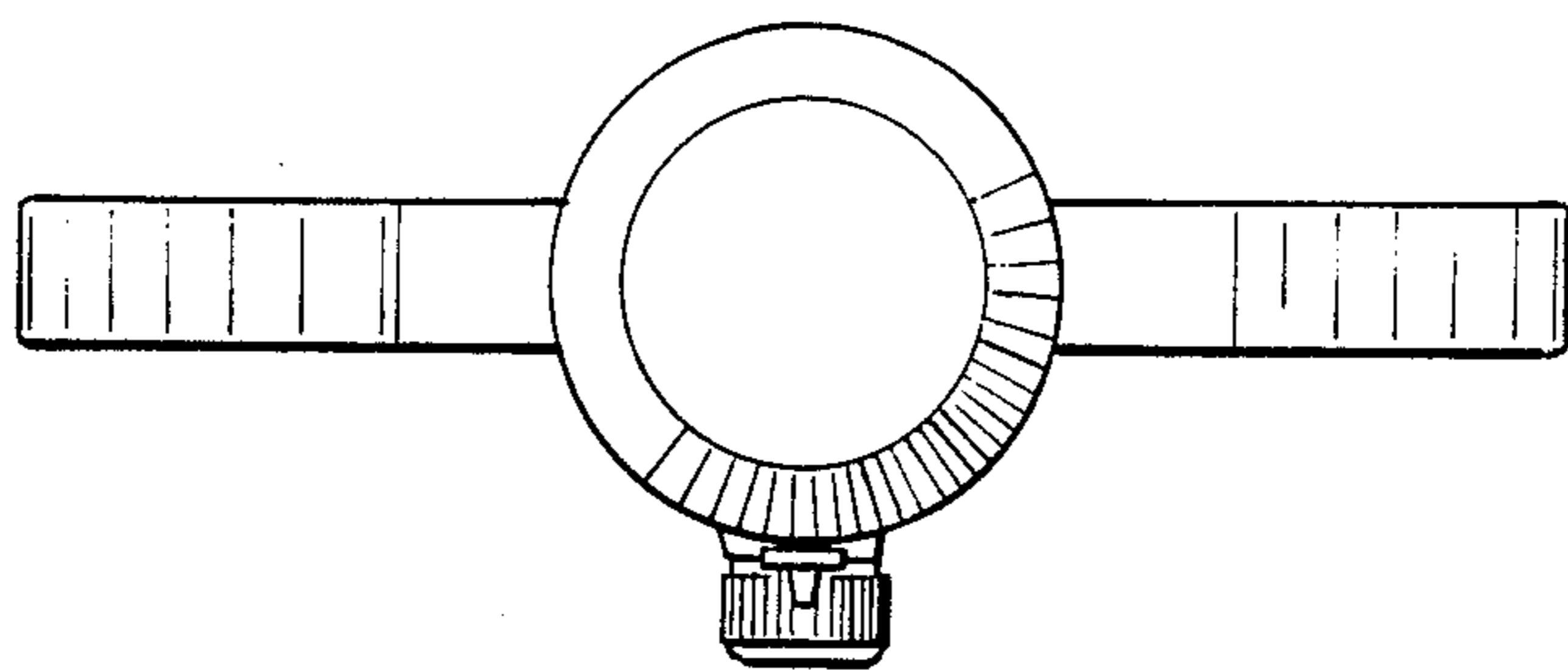


Fig.5