

[54] **WRITING INSTRUMENT**

[75] **Inventor: Shungo Sekiguchi, Naritahigashi, Japan**

[73] **Assignee: Pentel Kabushiki Kaisha, Tokyo, Japan**

[\*\*] **Term: 14 Years**

[21] **Appl. No.: 18,574**

[22] **Filed: Feb. 25, 1987**

[30] **Foreign Application Priority Data**

Aug. 27, 1986 [JP] Japan ..... 61-33534

[52] **U.S. Cl. .... D19/49; D19/41; D19/48; D19/58**

[58] **Field of Search ..... D19/35, 36, 41-51, D19/54-58; 401/209-213**

[56] **References Cited**

**U.S. PATENT DOCUMENTS**

D. 128,390 7/1941 Christenson, Jr. .... D19/49  
D. 166,114 3/1952 Lust ..... D19/49  
D. 215,768 10/1969 Horie ..... D19/49 X  
D. 216,844 3/1970 Shimada ..... D19/49

D. 269,189 5/1983 Sakaoka ..... D19/48

**OTHER PUBLICATIONS**

Visual Systems Company, Inc., ©1985, p. 135, see Mars 777-15 Perpetual Pencil, upper right.

*Primary Examiner*—Bruce W. Dunkins  
*Assistant Examiner*—Martha Thompson  
*Attorney, Agent, or Firm*—Wenderoth, Lind & Ponack

[57] **CLAIM**

The ornamental design for a writing instrument, as shown and described.

**DESCRIPTION**

FIG. 1 is a front elevational view of a writing instrument showing my new design;  
FIG. 2 is a top plan view;  
FIG. 3 is a side elevational view;  
FIG. 4 is a rear elevational view;  
FIG. 5 is a bottom plan view;  
FIG. 6 is an enlarged cross-sectional view taken along lines 6-6 of FIG. 1;  
FIG. 7 is an enlarged cross-sectional view taken along lines 7-7 of FIG. 1; and  
FIG. 8 is a perspective view of FIG. 1.



FIG.2

FIG.5



FIG.4

FIG.1

FIG.3

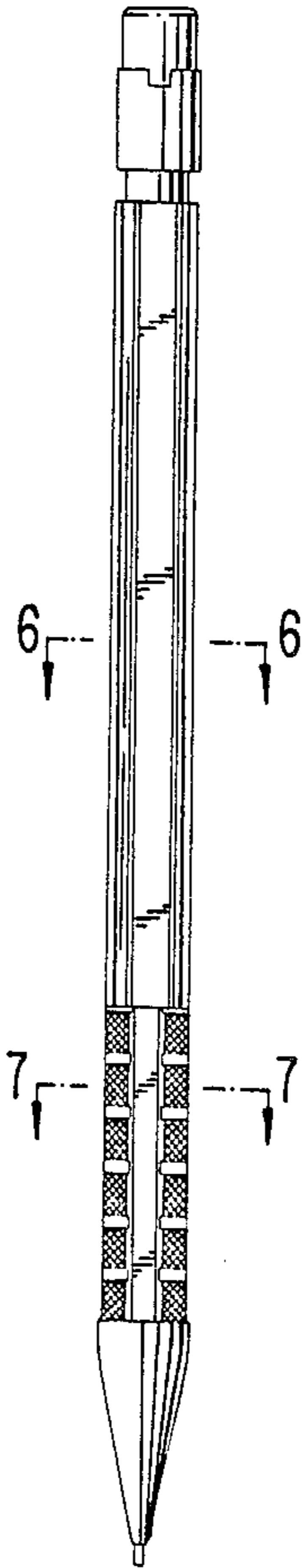


FIG. 6

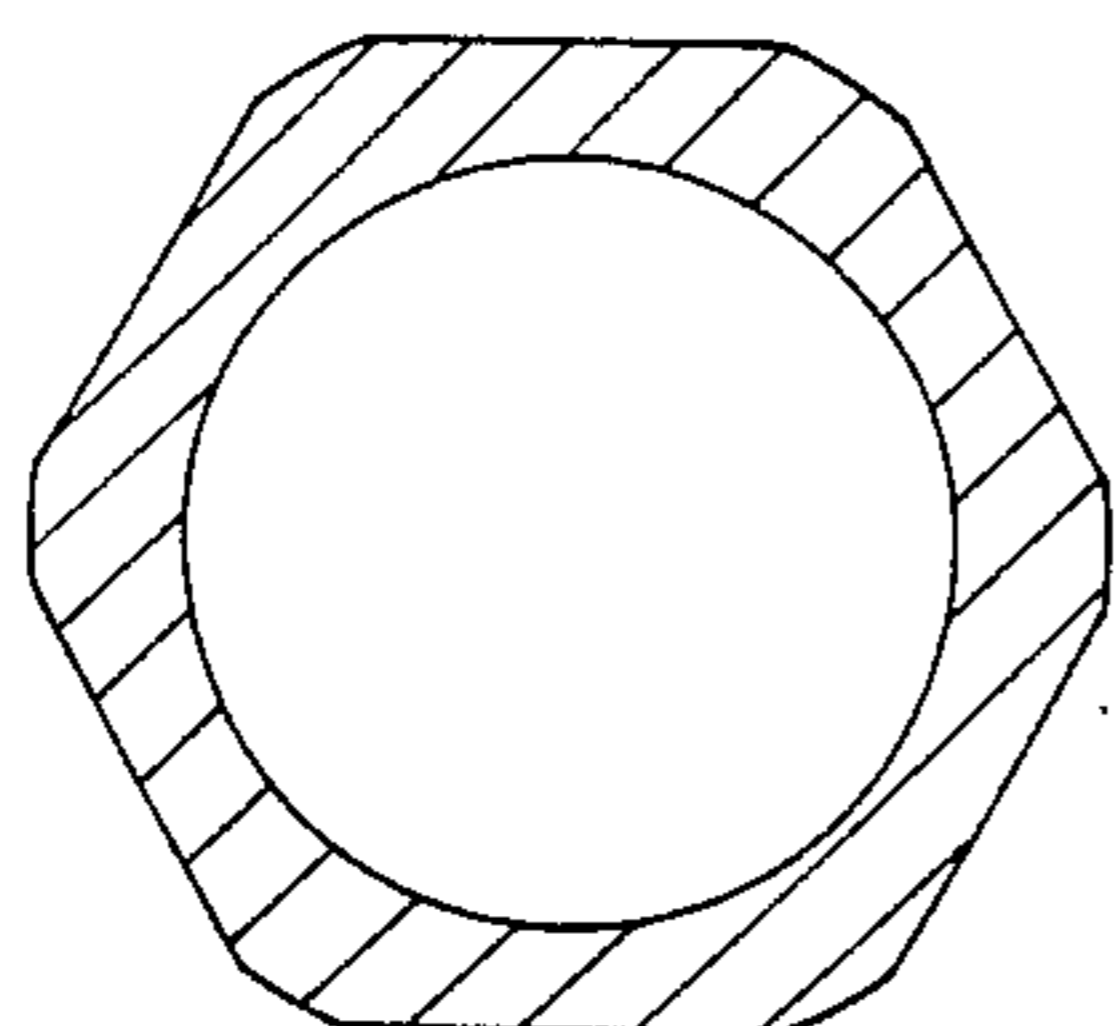


FIG. 7

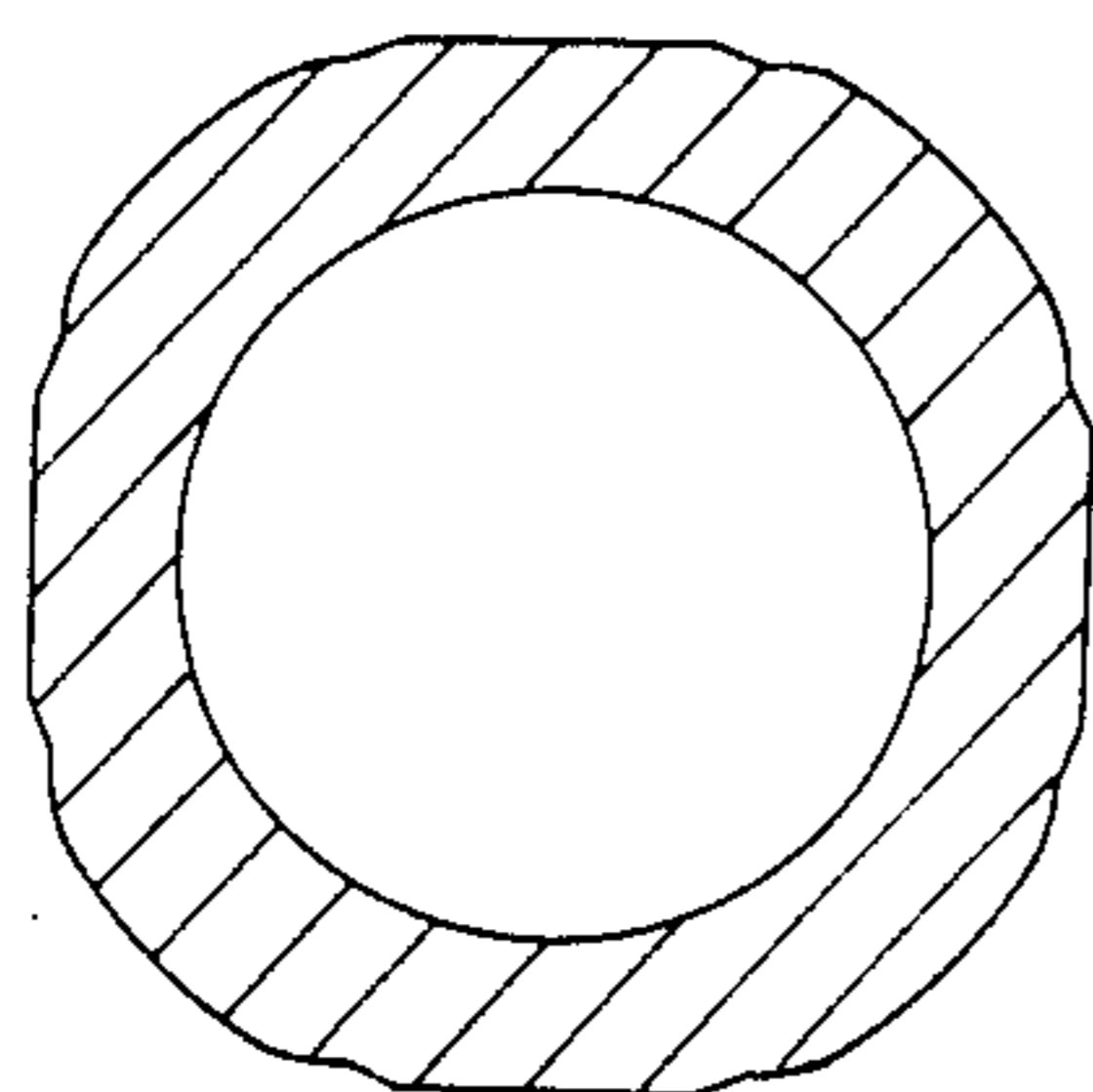


FIG. 8

