

[54] WRITING INSTRUMENT

[76] Inventor: Gian L. Mori, St.da del Cascinotto
119, Torino, Italy

[**] Term: 14 Years

[21] Appl. No.: 72,239

[22] Filed: Jul. 10, 1987

[52] U.S. Cl. D19/42; D19/35;
D19/46; D19/49; D21/87

[58] Field of Search D9/402; D19/35, 36,
D19/41-51, 54-58, 65; D21/87; 401/209, 220,
48, 6

[56] References Cited

U.S. PATENT DOCUMENTS

- D. 174,113 3/1955 Dey D21/87
- D. 232,267 7/1974 Zepell D19/46
- D. 238,359 1/1976 Zepell D19/46
- D. 252,577 8/1979 Leopoldi D19/42

- D. 263,317 3/1982 Swensson D19/46
- D. 271,082 10/1983 Jackson D9/402
- D. 276,479 11/1984 Mori D19/43 X
- D. 280,110 8/1985 Brooks D19/42
- 4,568,213 2/1986 Money 401/6

Primary Examiner—Bruce W. Dunkins
Assistant Examiner—Martha Thompson
Attorney, Agent, or Firm—Young & Thompson

[57] CLAIM

The ornamental design for a writing instrument, as shown and described.

DESCRIPTION

FIG. 1 is a top plan view of a writing instrument showing my new design;
FIG. 2 is a bottom plan view;
FIG. 3 is a side elevational view, the opposite side being a mirror image thereof;
FIG. 4 is a front elevational view; and
FIG. 5 is a rear elevational view thereof.

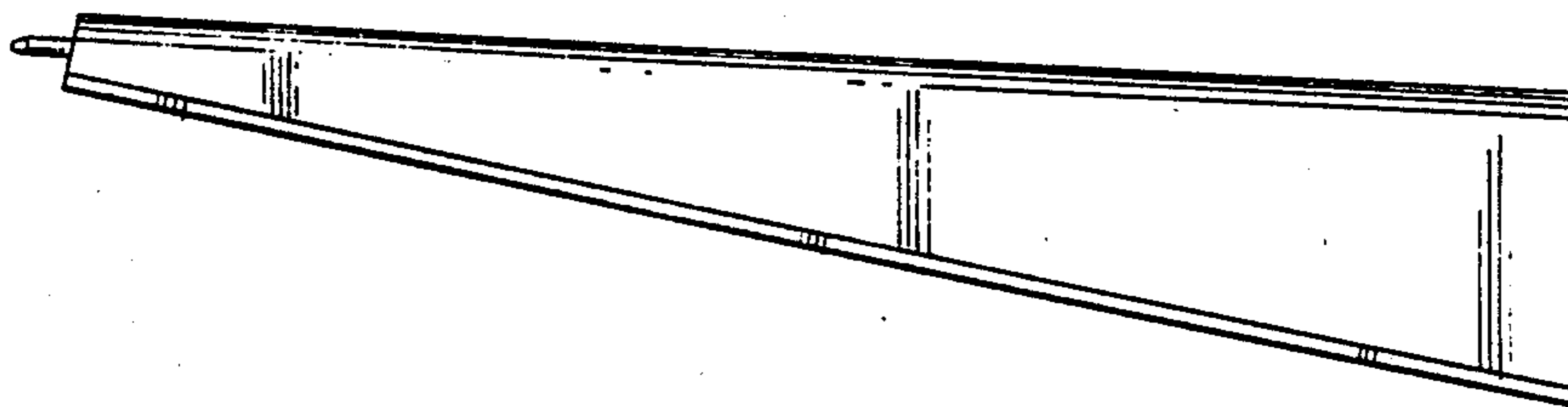
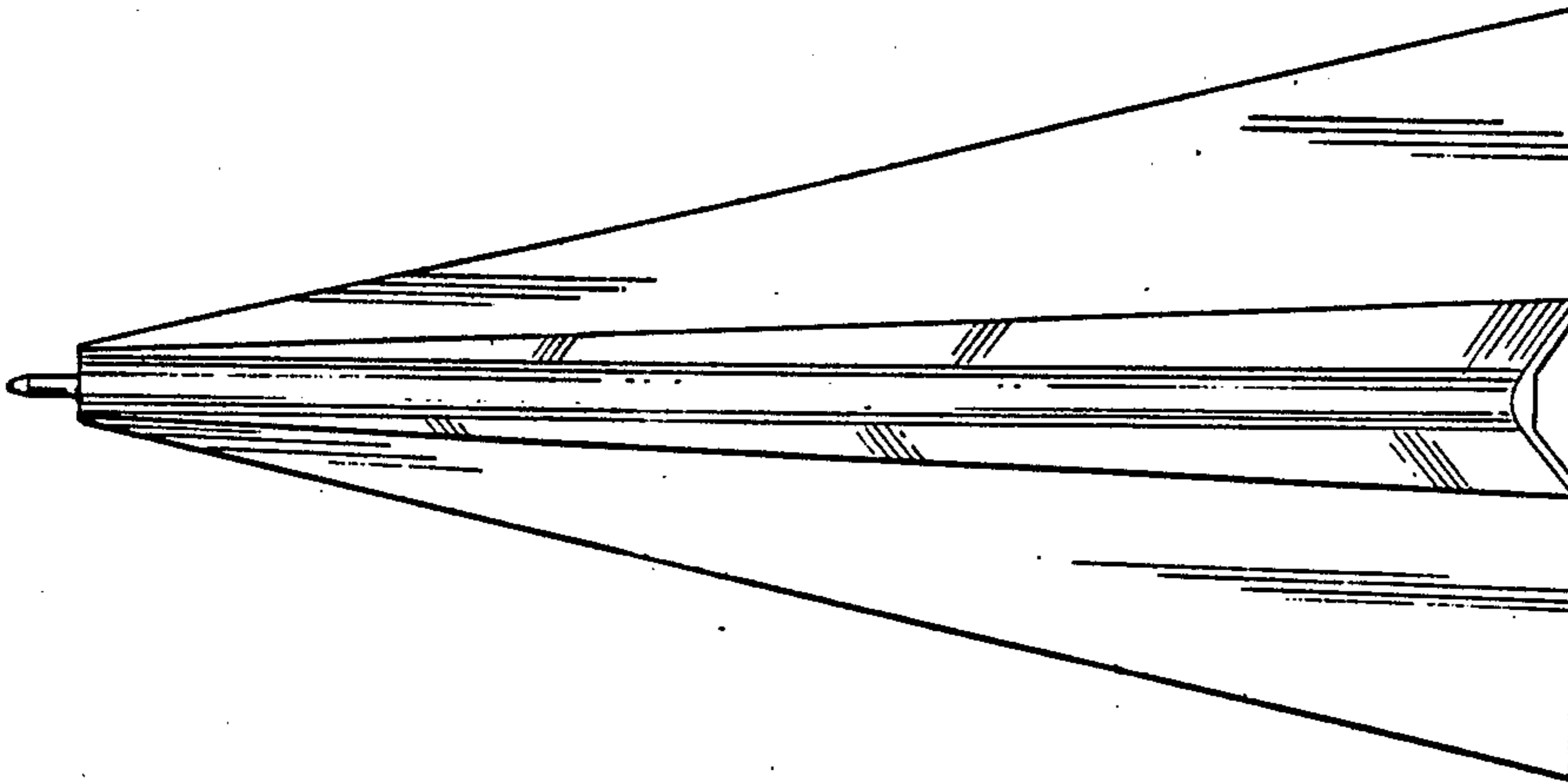


Fig. 1

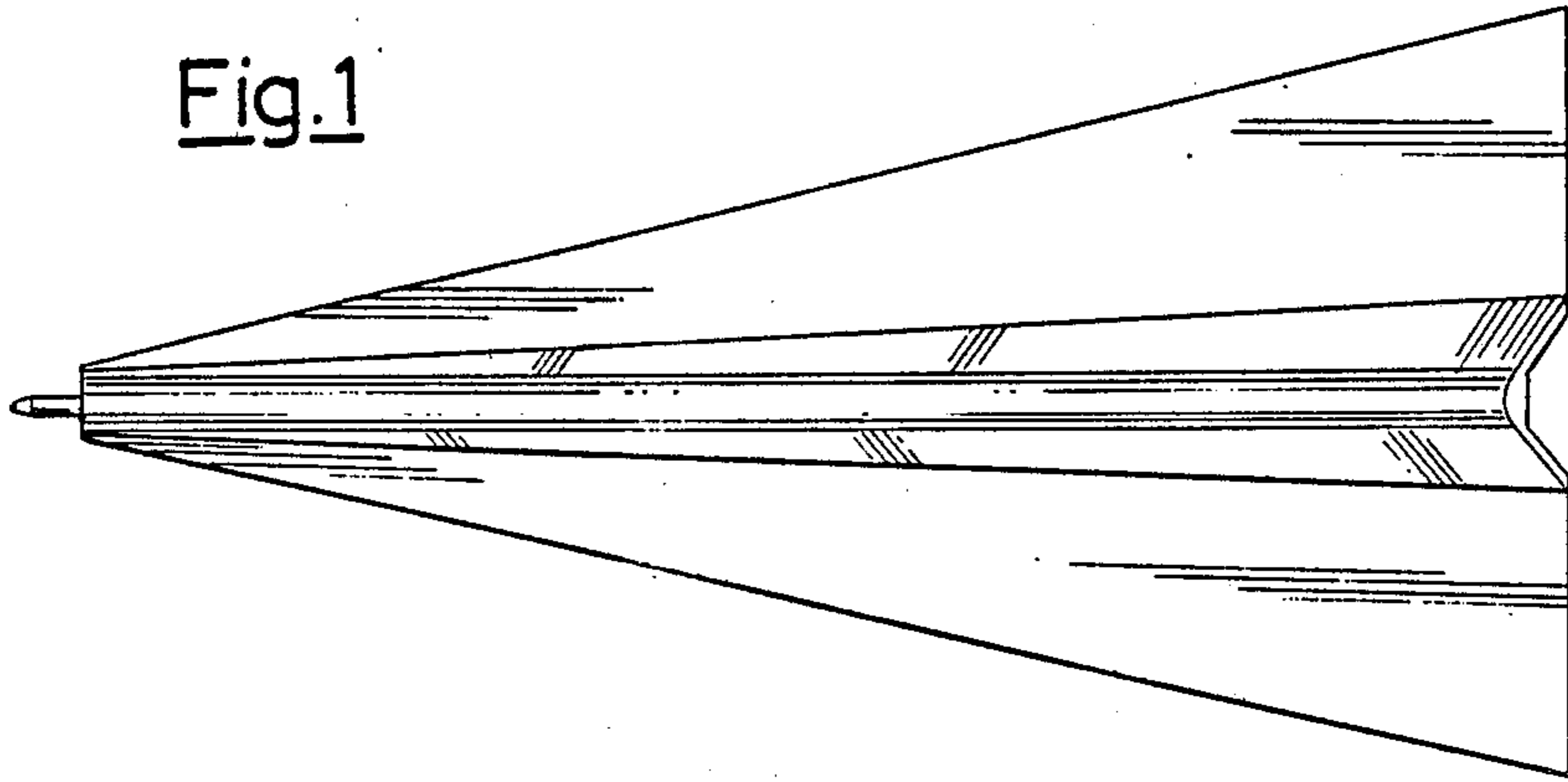


Fig. 2

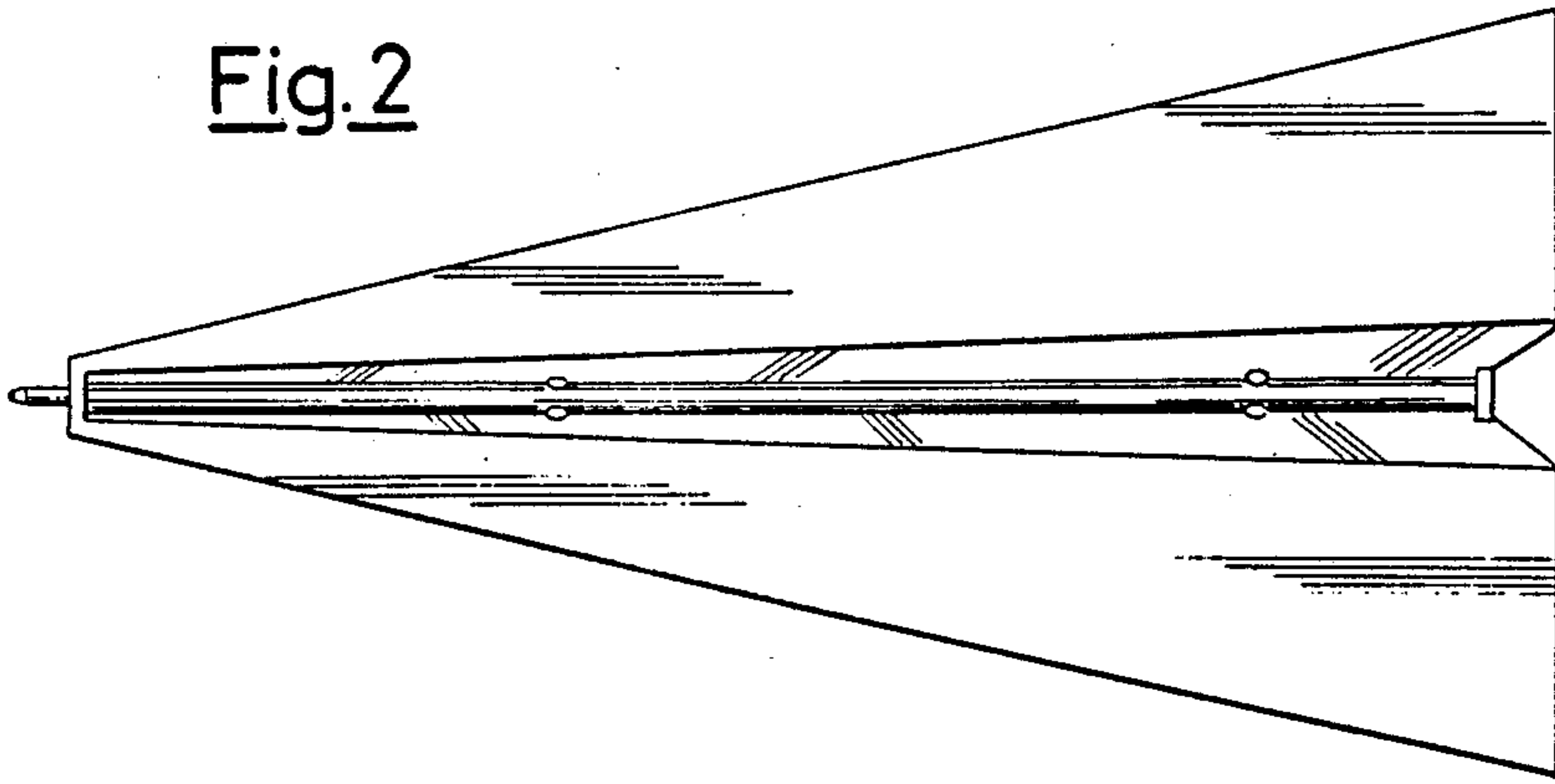


Fig. 3

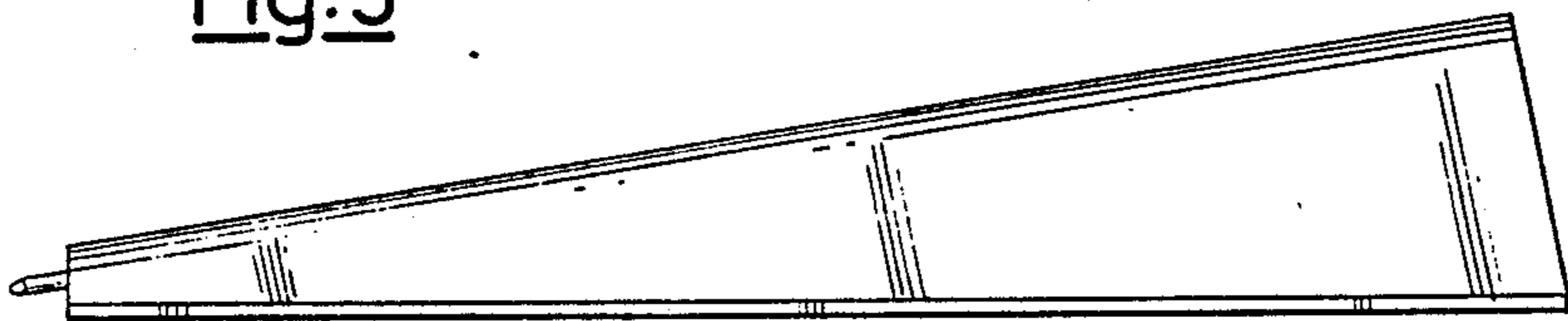


Fig. 4

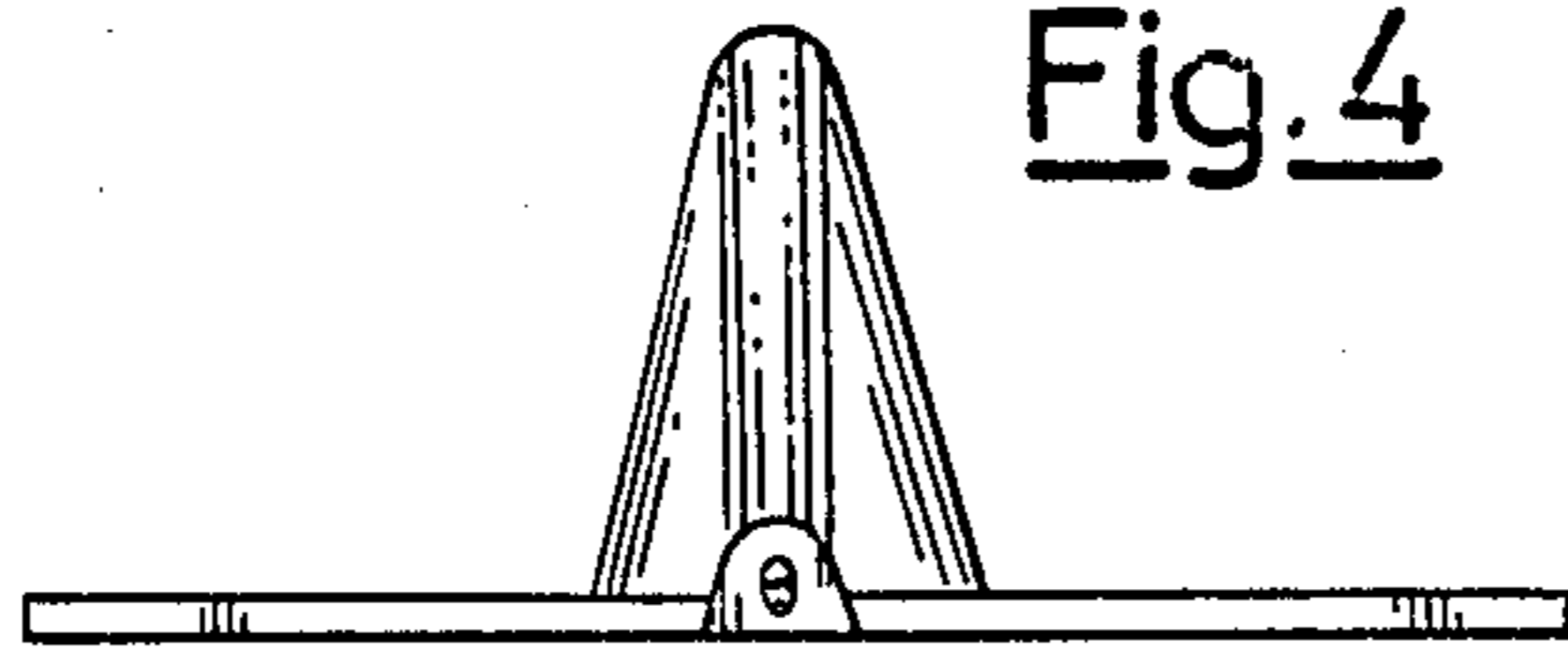


Fig. 5

