

[54] **SHELF DIVIDER**

[76] **Inventor: Henry D. Smith, 4650 Industrial Dr., Springfield, Ill. 62703**

[**] **Term: 14 Years**

[21] **Appl. No.: 208,645**

[22] **Filed: Jun. 20, 1988**

[52] **U.S. Cl. D19/34.1; D6/512**

[58] **Field of Search D6/512, 574, 490-491, D6/509, 511, 449, 462, 466, 475; D19/34.1; D20/43; 211/42-43, 183-184, 4; 108/61**

[56] **References Cited**

U.S. PATENT DOCUMENTS

- D. 277,912 3/1985 Evenson D19/34.1
- D. 285,152 8/1986 Smith D6/512 X
- D. 302,025 7/1989 Shugar D19/34.1

4,327,838 5/1982 Cooke 211/184

Primary Examiner—Wallace R. Burke
Assistant Examiner—Brian N. Vinson
Attorney, Agent, or Firm—Bailey & Hardaway

[57] **CLAIM**

The ornamental design for a shelf divider, as shown and described.

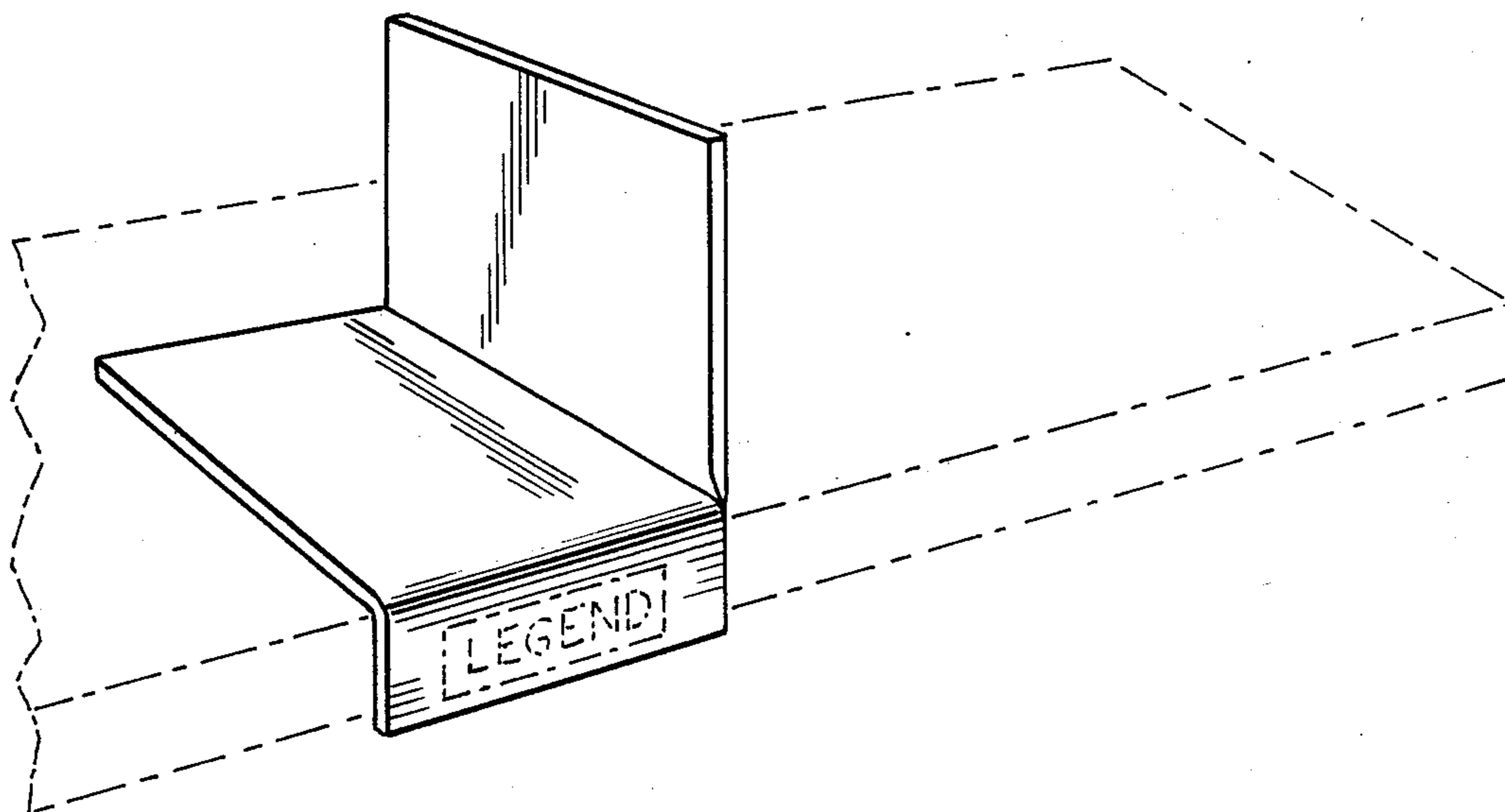
DESCRIPTION

FIG. 1 is a top, front, and left side perspective view of a shelf divider showing my new design, the broken-line depiction of the shelf and legend being for illustrative purposes only and forming no part of the claimed design;

FIG. 2 is a bottom, rear and right side perspective view thereof;

FIG. 3 is a left side elevational view thereof; and

FIG. 4 is a rear elevational view thereof.



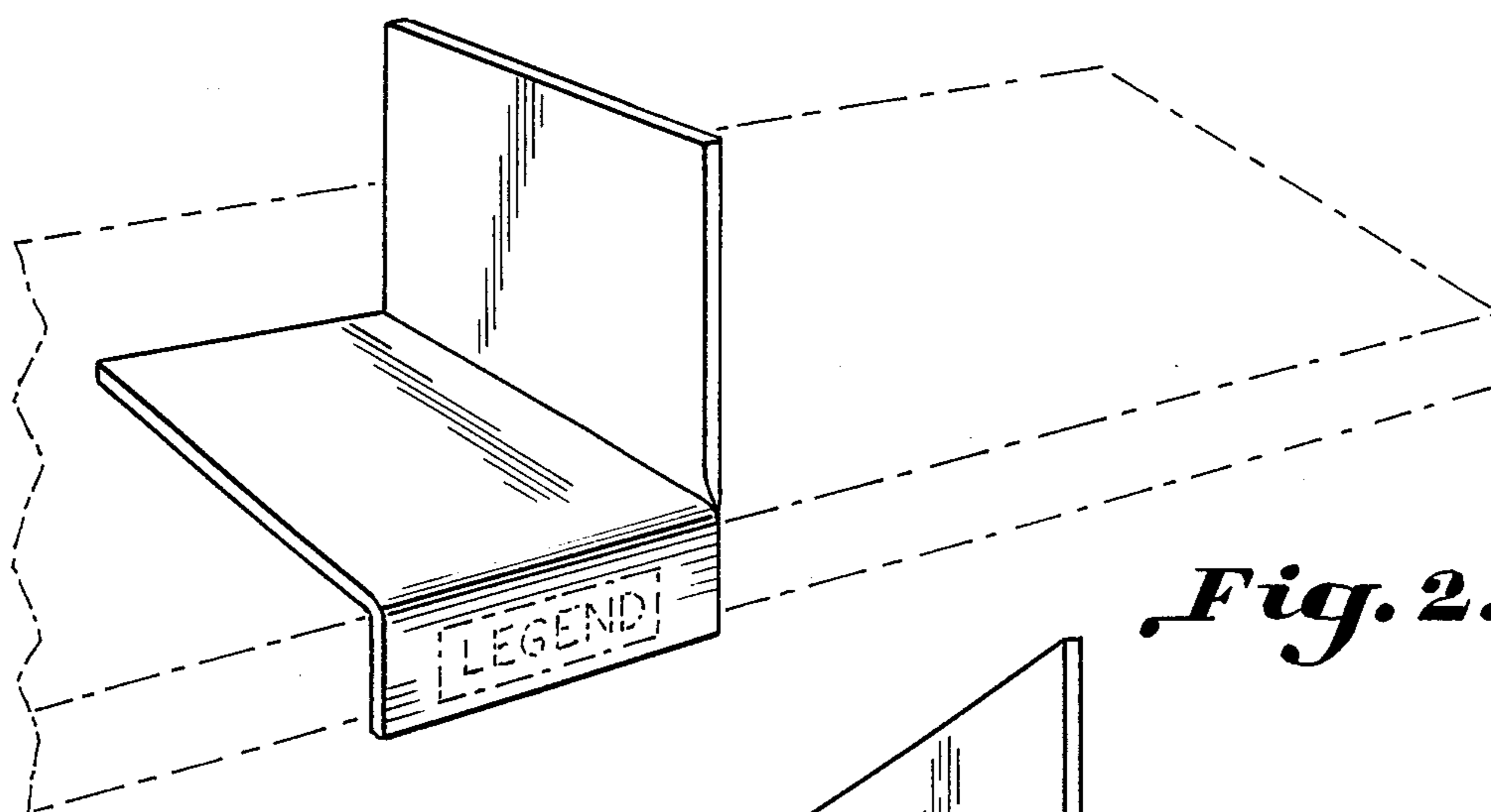


Fig. 1.

Fig. 2.

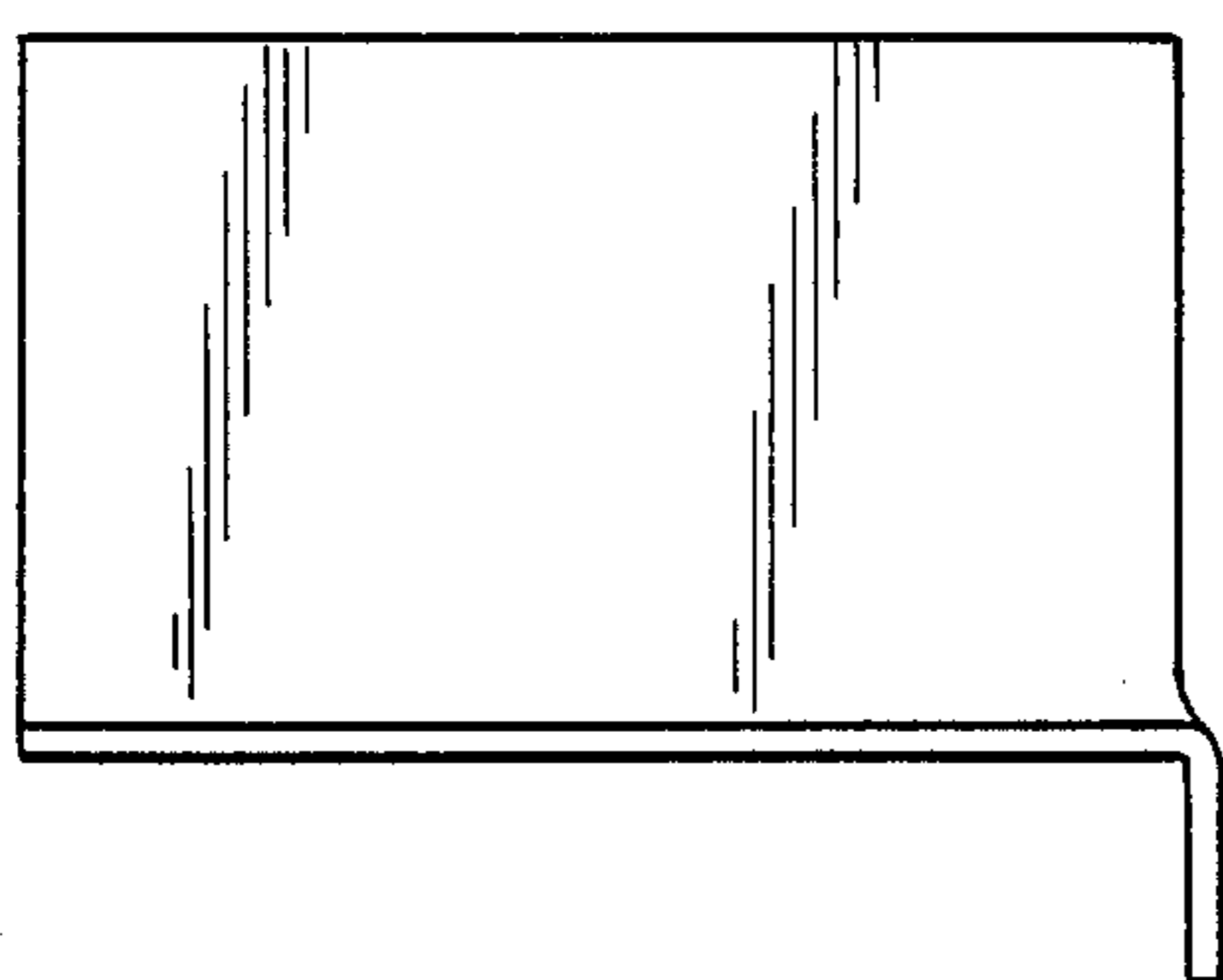
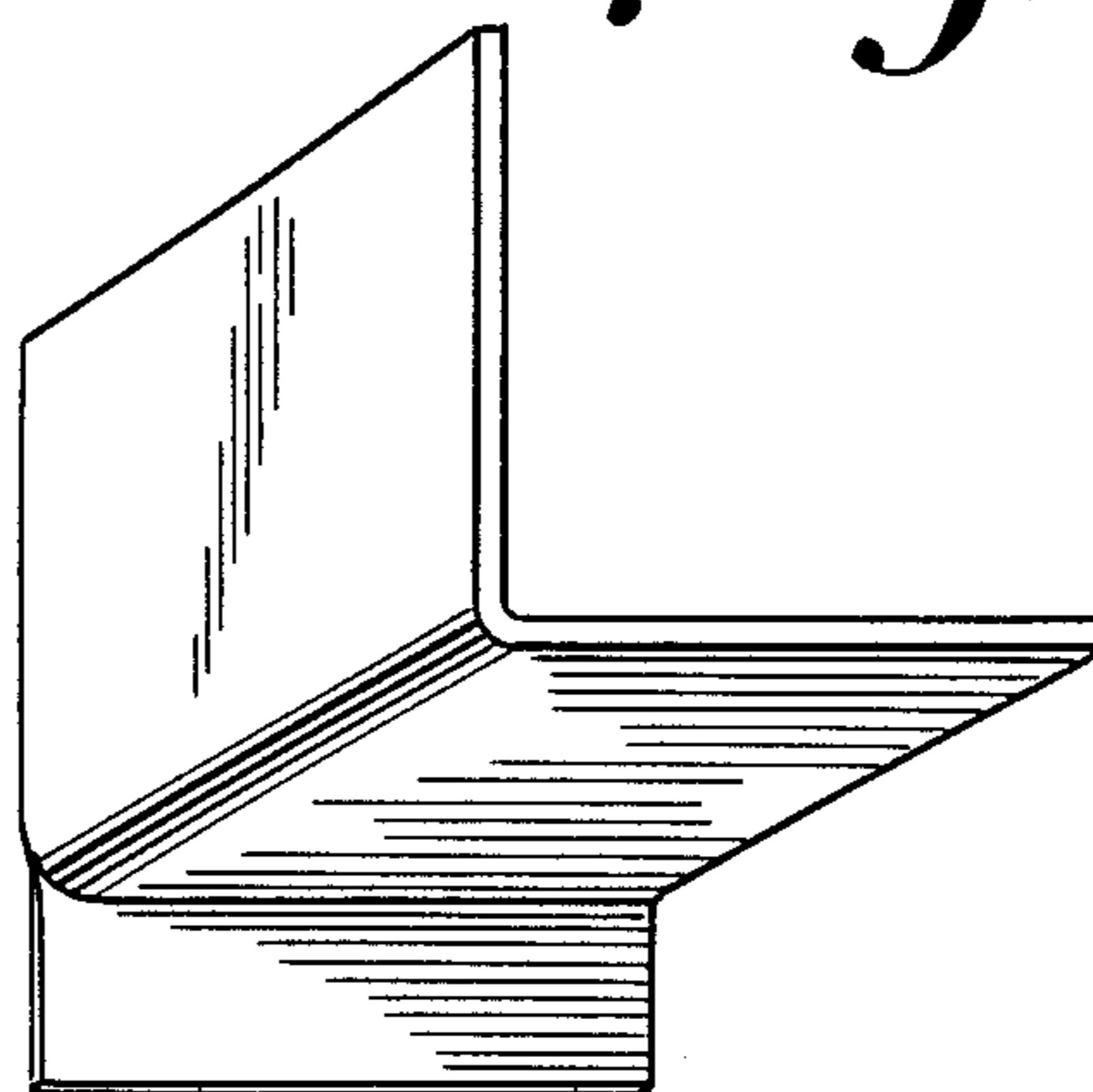


Fig. 3.

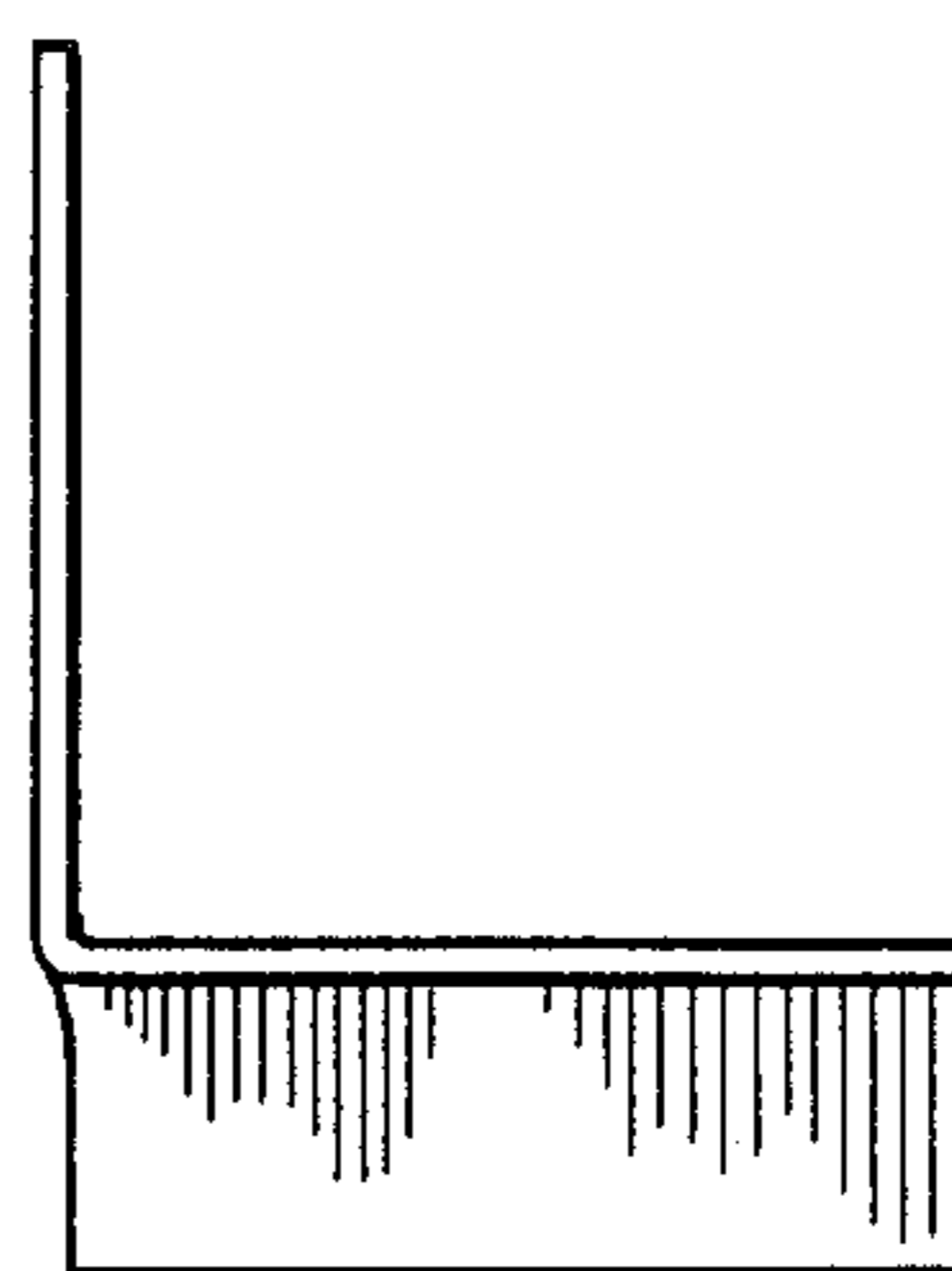


Fig. 4.