

[54] ELECTRONIC COPYING MACHINE

[75] Inventors: Kunio Hara, Chiba; Shin-ichi Hiroki, Tokyo; Atsushi Tani, Yokohama, all of Japan

[73] Assignee: Kabushiki Kaisha Toshiba, Kawasaki, Japan

[**] Term: 14 Years

[21] Appl. No.: 55,752

[22] Filed: May 29, 1987

[30] Foreign Application Priority Data

Dec. 16, 1986 [JP] Japan 61-49518
[52] U.S. Cl. D18/38
[58] Field of Search D18/36-39; D14/111, 112, 118; 355/43-45, 49-51, 66, 112, 200, 231, 233, 235

[56] References Cited

U.S. PATENT DOCUMENTS

- D. 265,994 8/1982 Yoshihama et al. D14/118
D. 266,431 10/1982 Clowe et al. D18/38
D. 272,538 2/1984 Yoshihama et al. D14/118
d. 280,629 9/1985 Goto et al. D18/38
D. 295,285 4/1988 Nishibori D18/39
D. 296,901 7/1988 Kosako et al. D18/39

OTHER PUBLICATIONS

Office Products; May 1972; p. 105.
Sharp Catalog of SF-9550 as of May, 1986.
Minolta Catalog of EP850.

Primary Examiner—Nelson C. Holtje
Assistant Examiner—Caron D. Veynar
Attorney, Agent, or Firm—Oblon, Spivak, McClelland, Maier & Neustadt

[57] CLAIM

The ornamental design for an electronic copying machine, as shown and described.

DESCRIPTION

FIG. 1 is a top, front and right side perspective view of an electronic copying machine showing our new design;
FIG. 2 is a front elevational view thereof;
FIG. 3 is a right side elevational view thereof;
FIG. 4 is a top plan view thereof;
FIG. 5 is a rear elevational view thereof;
FIG. 6 is a bottom plan view thereof;
FIG. 7 is a left side elevational view thereof; and
FIG. 8 is a top, front and right side perspective view of FIG. 1 with the cover in an open position, the broken line showings of attachments being environmental only and forming no part of the claimed design.

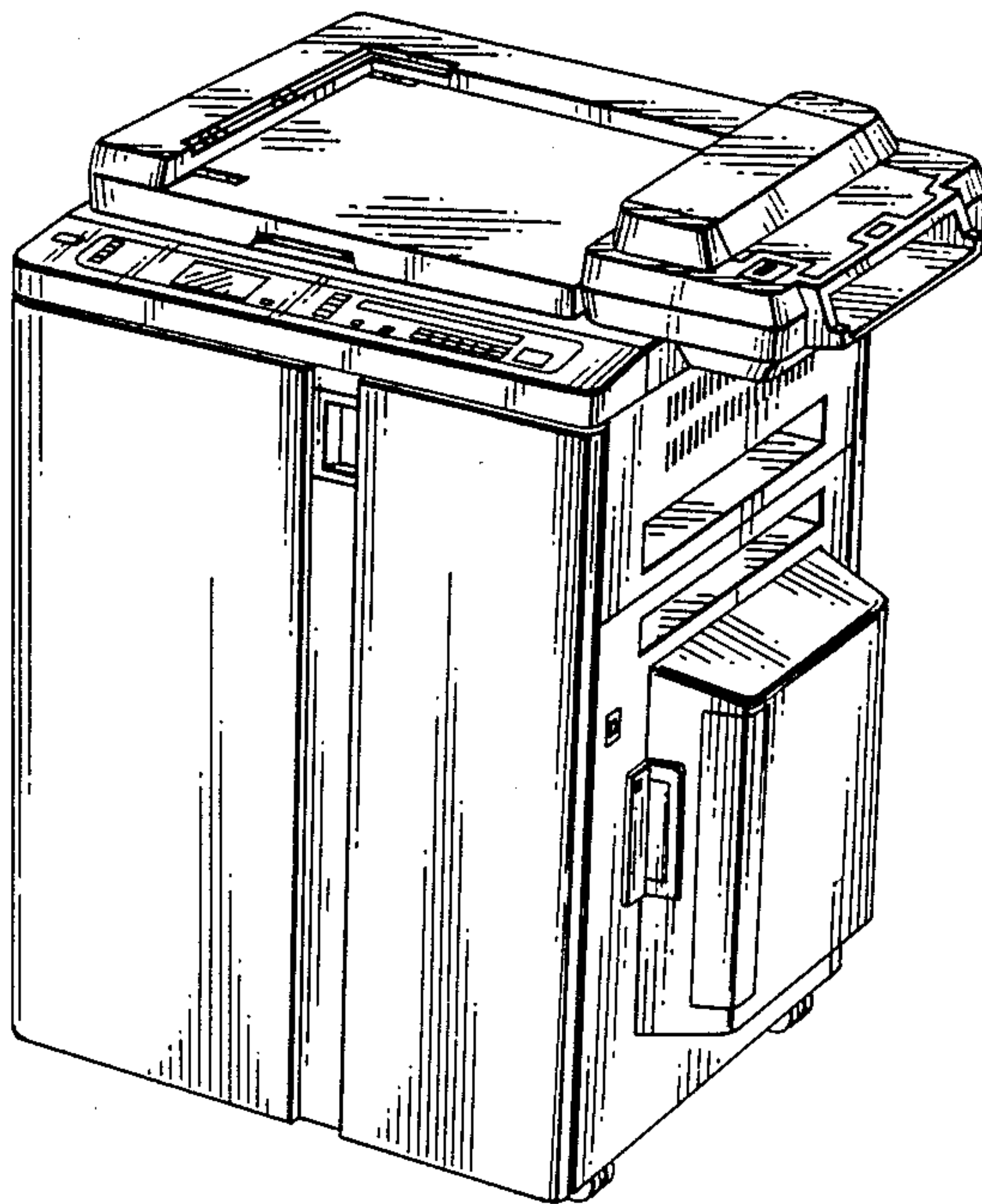


FIG. 1

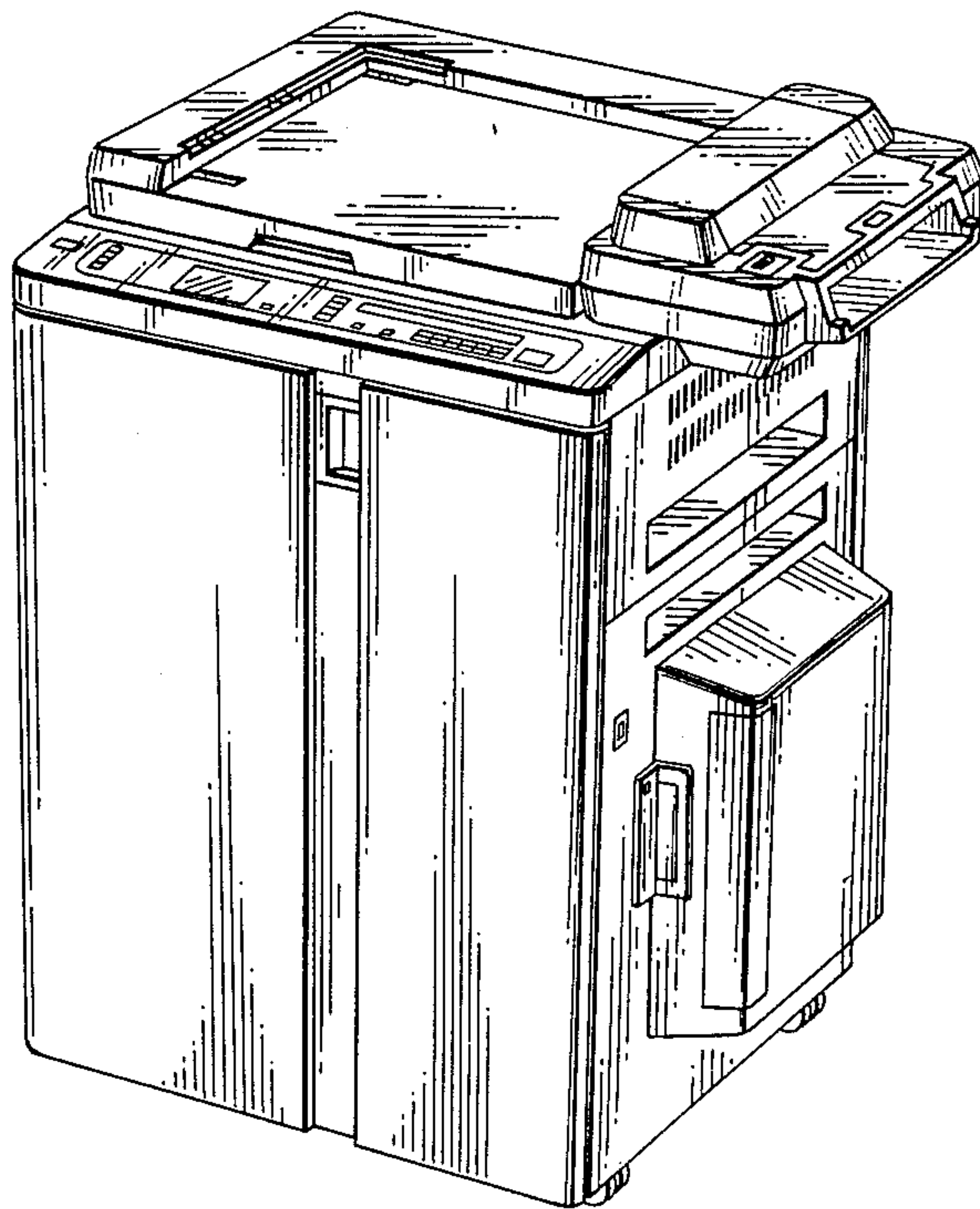


FIG. 2

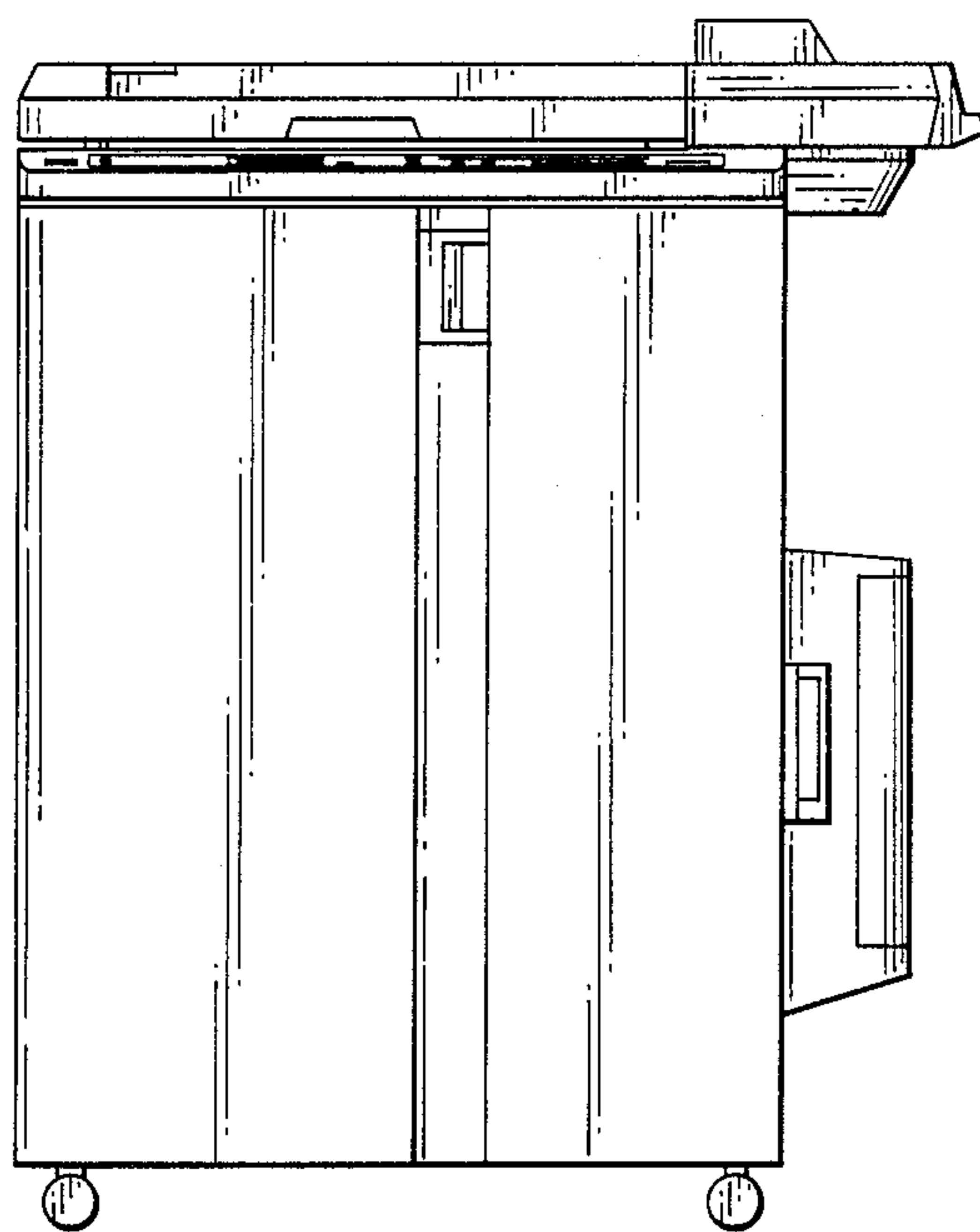


FIG. 3

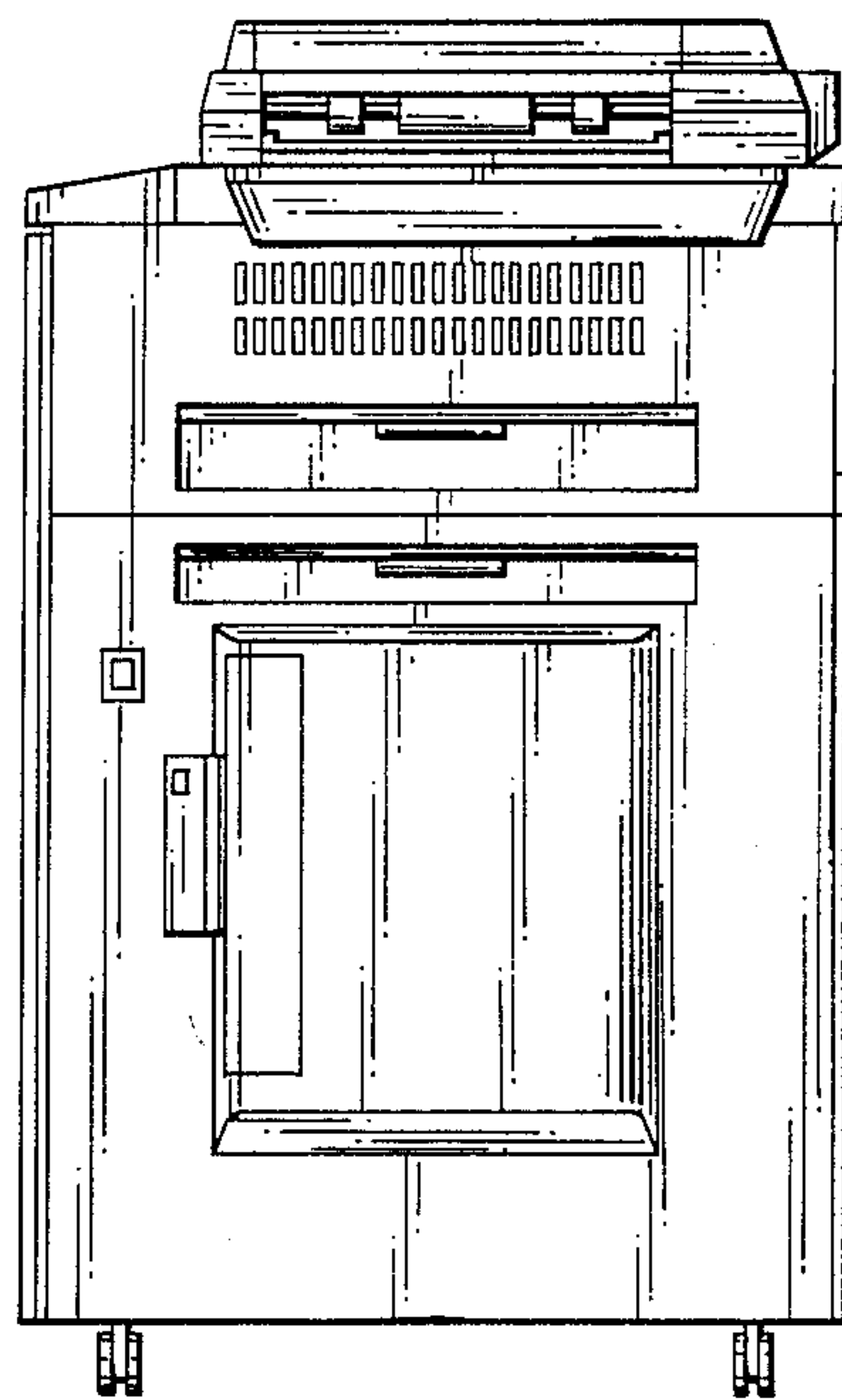


FIG. 5

FIG. 4

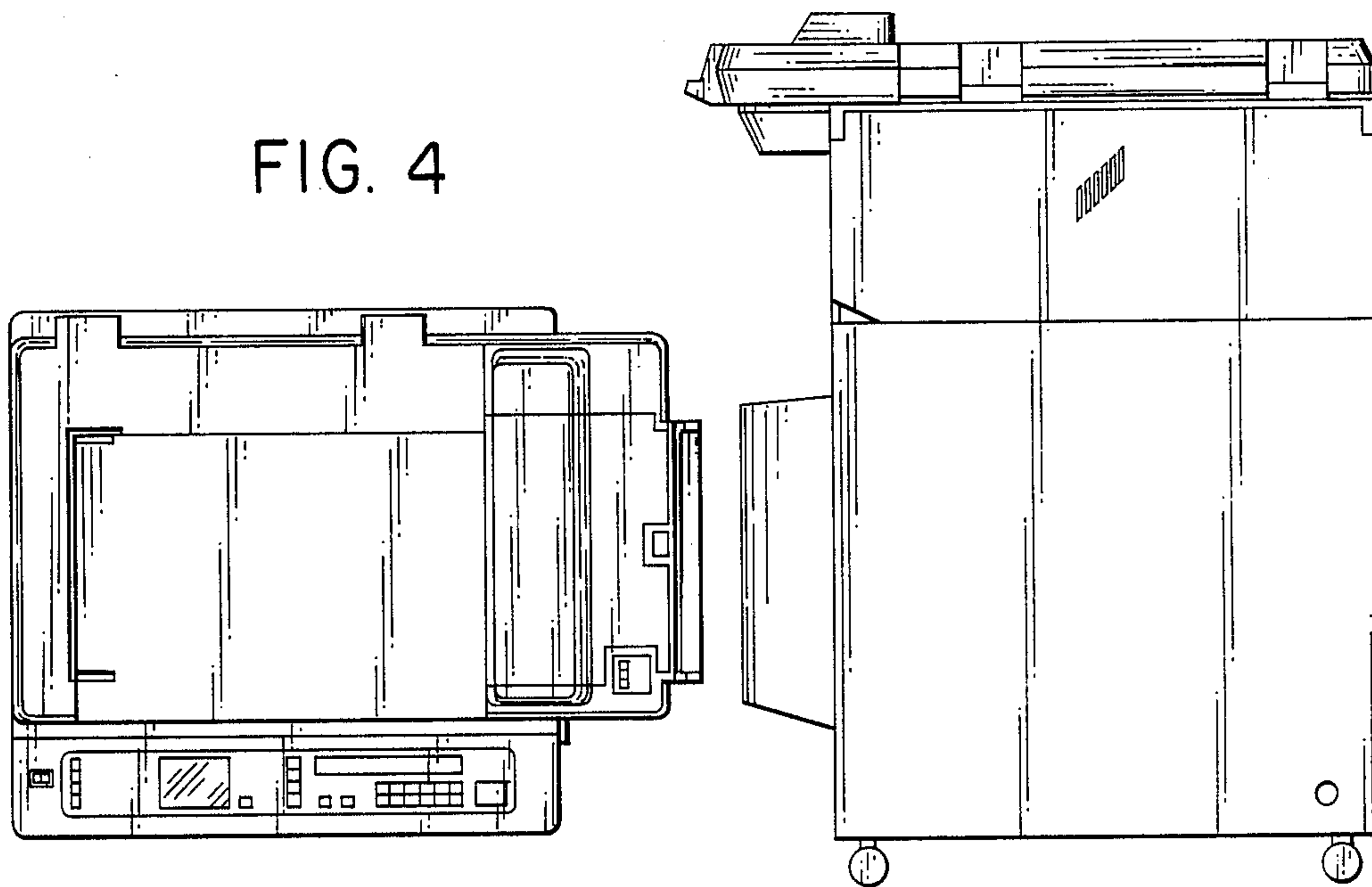


FIG. 6

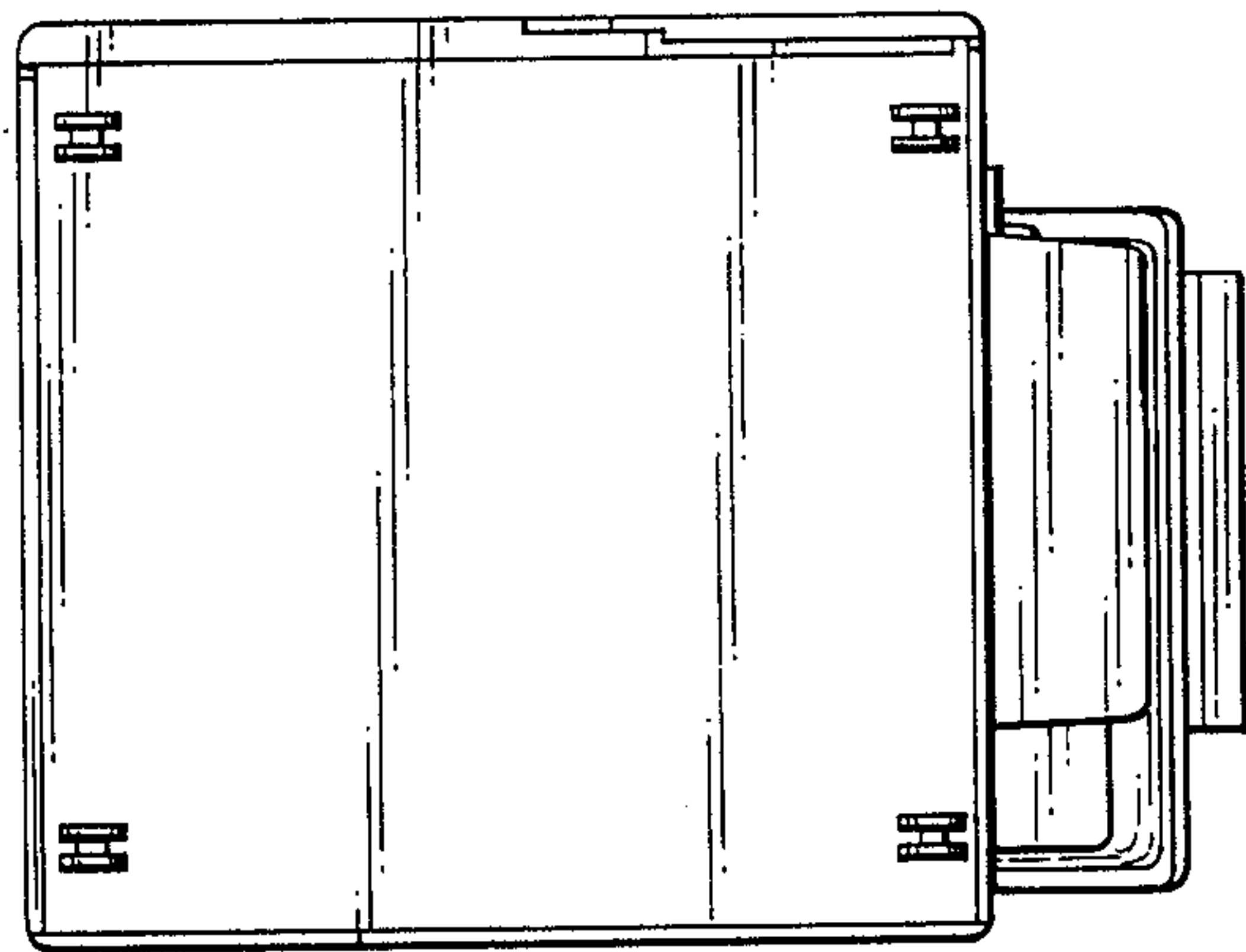


FIG. 7

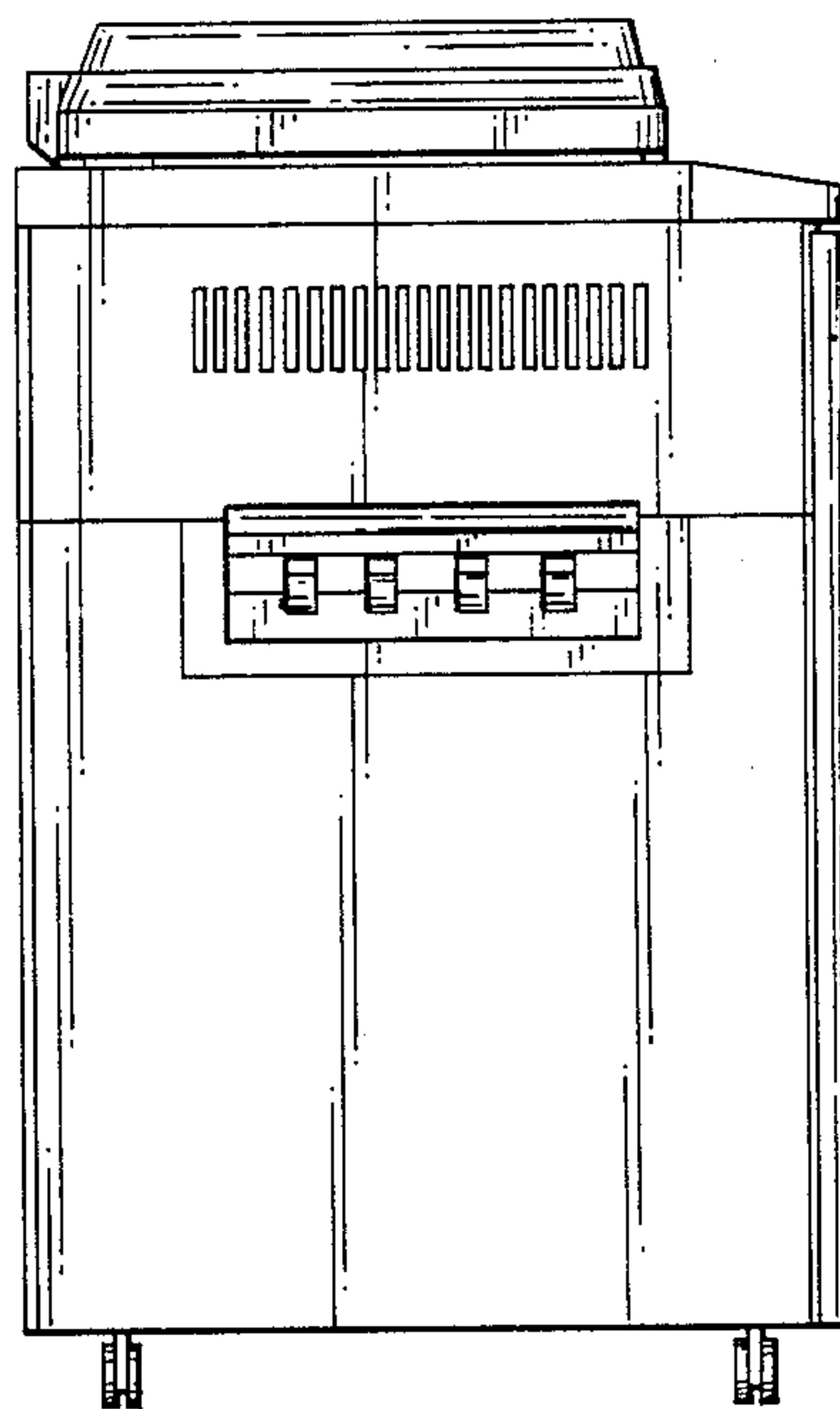


FIG. 8

