

[54] ELECTRONIC DRUM

3,634,595 1/1972 Pasquali 84/1.04
4,106,079 8/1978 Drury 84/422.4
4,702,143 10/1987 Brochstein 84/422.4

[76] Inventors: Melvin Kennedy, 2 Fifth Ave., New York, N.Y. 10011; Avi Arad, 6 Minuteman Hill, Westport, Conn. 06880

Primary Examiner—Bernard Ansher
Assistant Examiner—Adir Aronovich
Attorney, Agent, or Firm—Amster, Rothstein & Ebenstein

[**] Term: 14 Years

[21] Appl. No.: 232,362

[57] CLAIM

[22] Filed: Aug. 15, 1988

The ornamental design for an electronic drum, as shown and described.

Related U.S. Application Data

DESCRIPTION

[63] Continuation-in-part of Ser. No. 173,640, Mar. 25, 1988.

FIG. 1 is a front elevational view of an electronic drum showing our new design;

[52] U.S. Cl. D17/22

FIG. 2 is a side elevational view thereof;

[58] Field of Search D17/22, 99; D14/165, D14/188, 191, 192, 196; 84/1.04, 1.06, 1.14, 402, 411 R, 411 A, 411 M, 411 P, 422.4, DIG. 12, DIG. 24

FIG. 3 is a side elevational view of the side opposite that shown in FIG. 2;

FIG. 4 is a rear elevational view thereof;

FIG. 5 is a top plan view thereof; and,

FIG. 6 is a bottom plan view thereof.

[56] References Cited

Portions of the cord members have been shown in fragment in FIGS. 1 through 3 for ease of illustration and to indicate indeterminate length. Portions of the cord members and the drum stick members have been omitted from FIGS. 4 through 6 for ease of illustration.

U.S. PATENT DOCUMENTS

D. 166,291 4/1952 Adler D14/196
2,822,717 2/1958 Slawinski 84/422.1

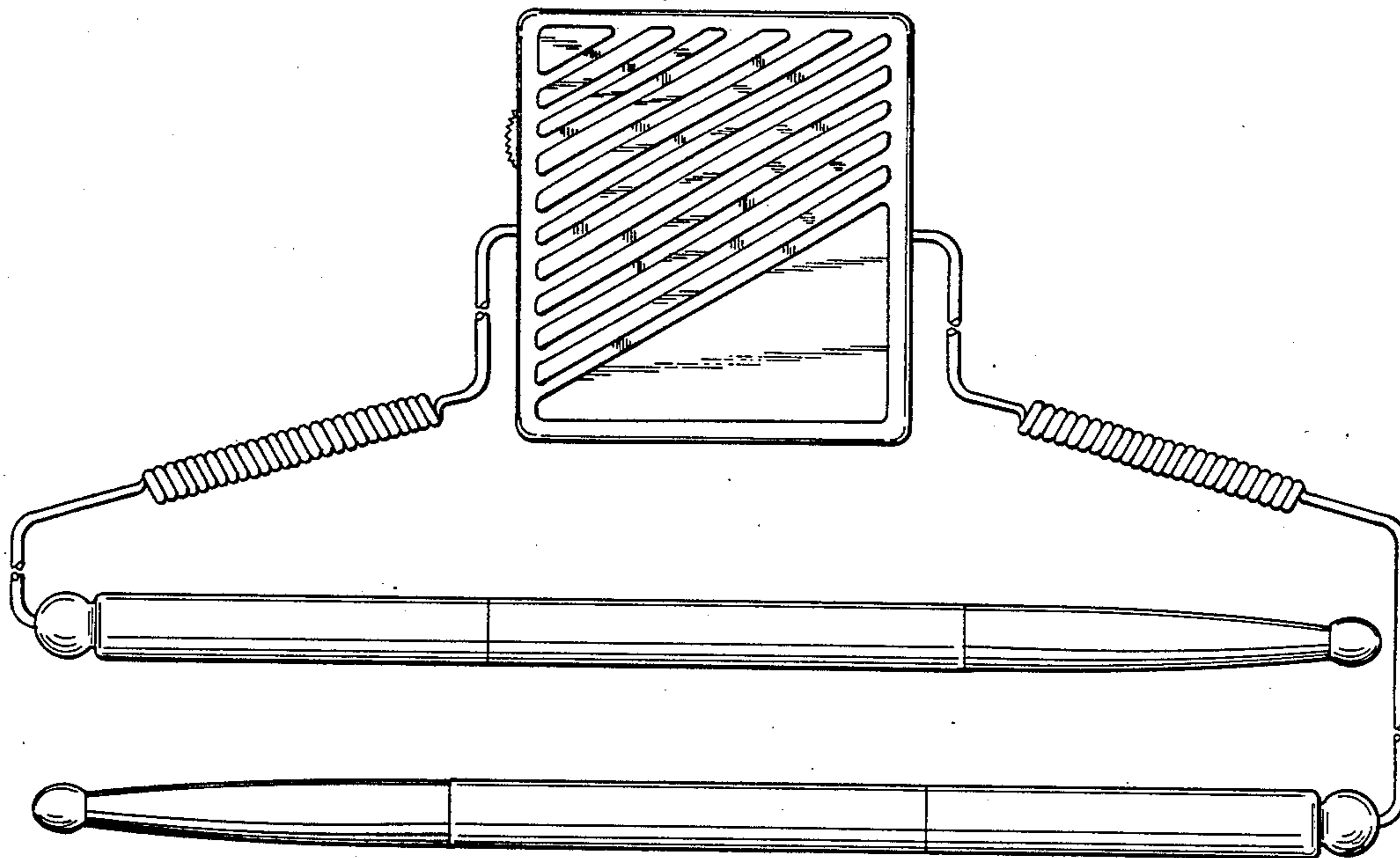


FIG. 1

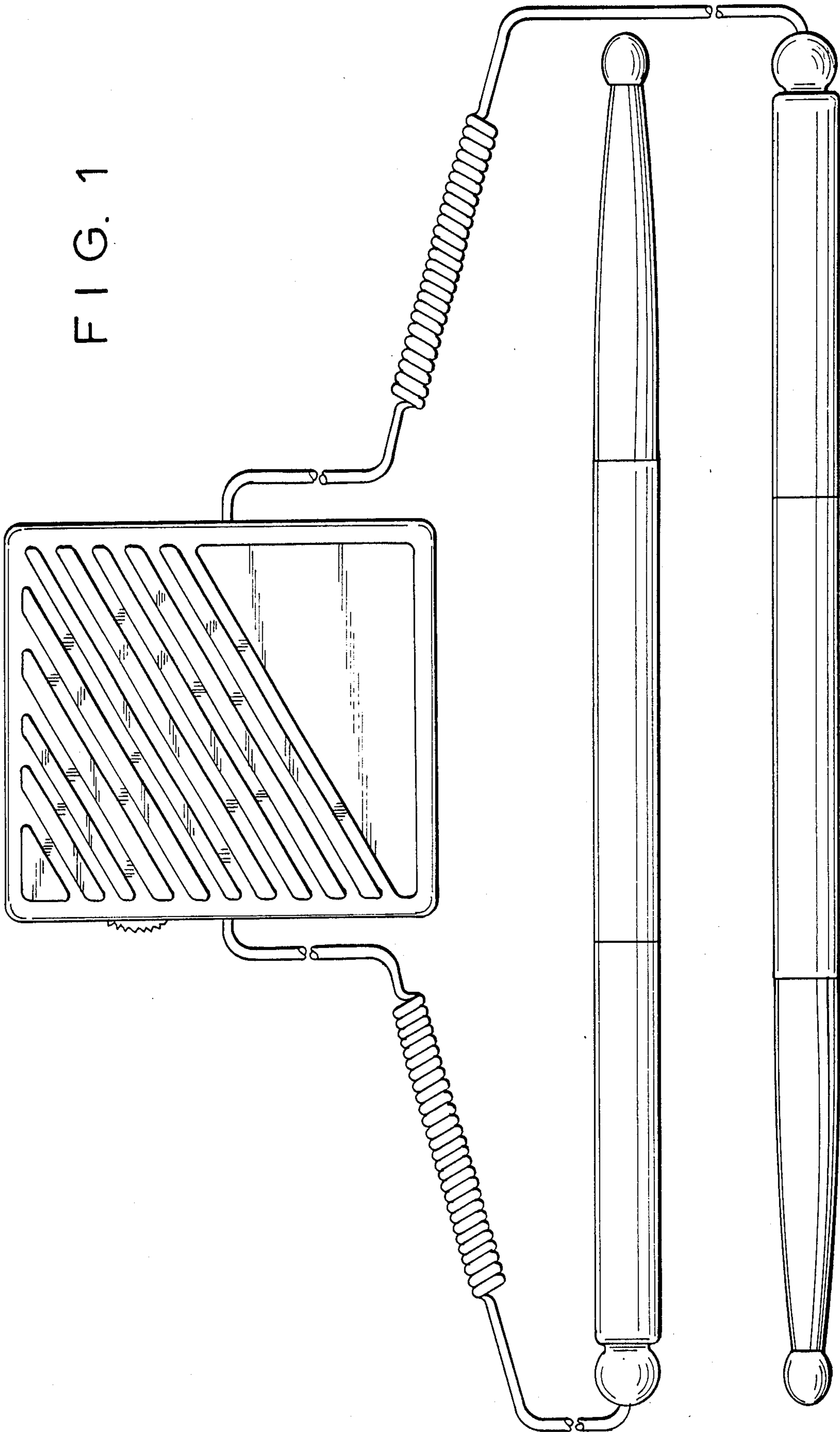


FIG. 2

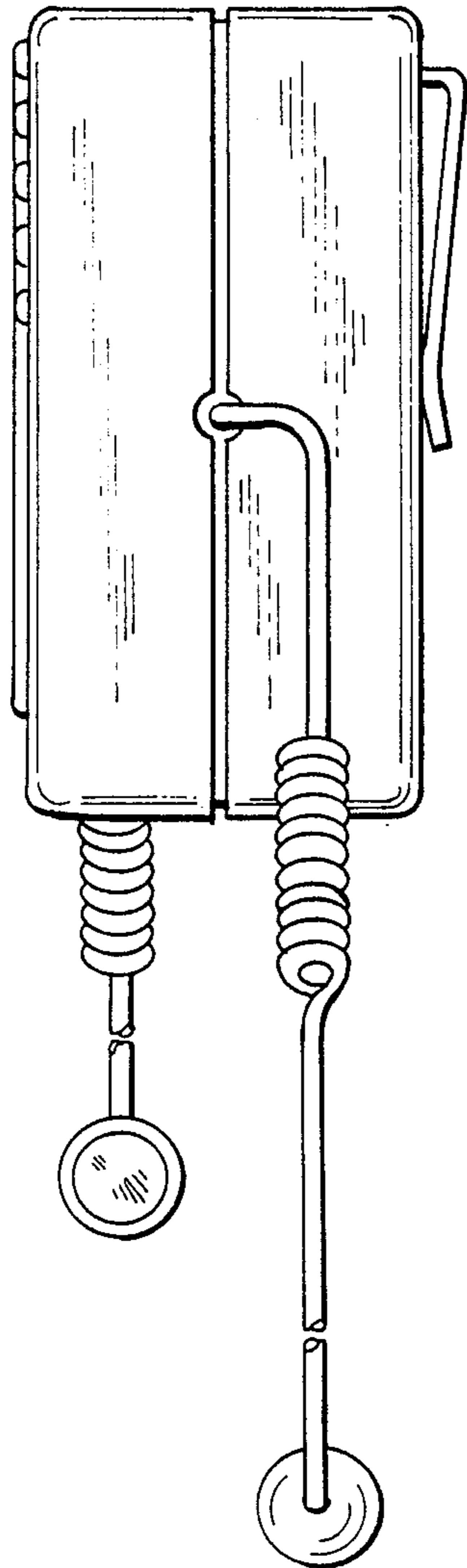


FIG. 3

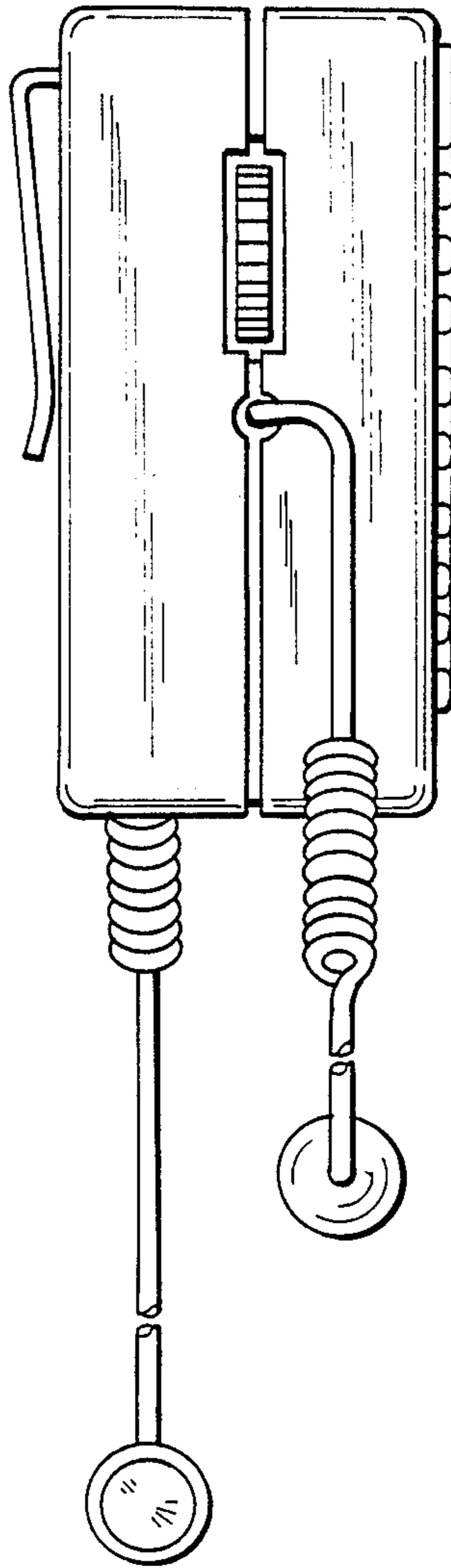


FIG. 4

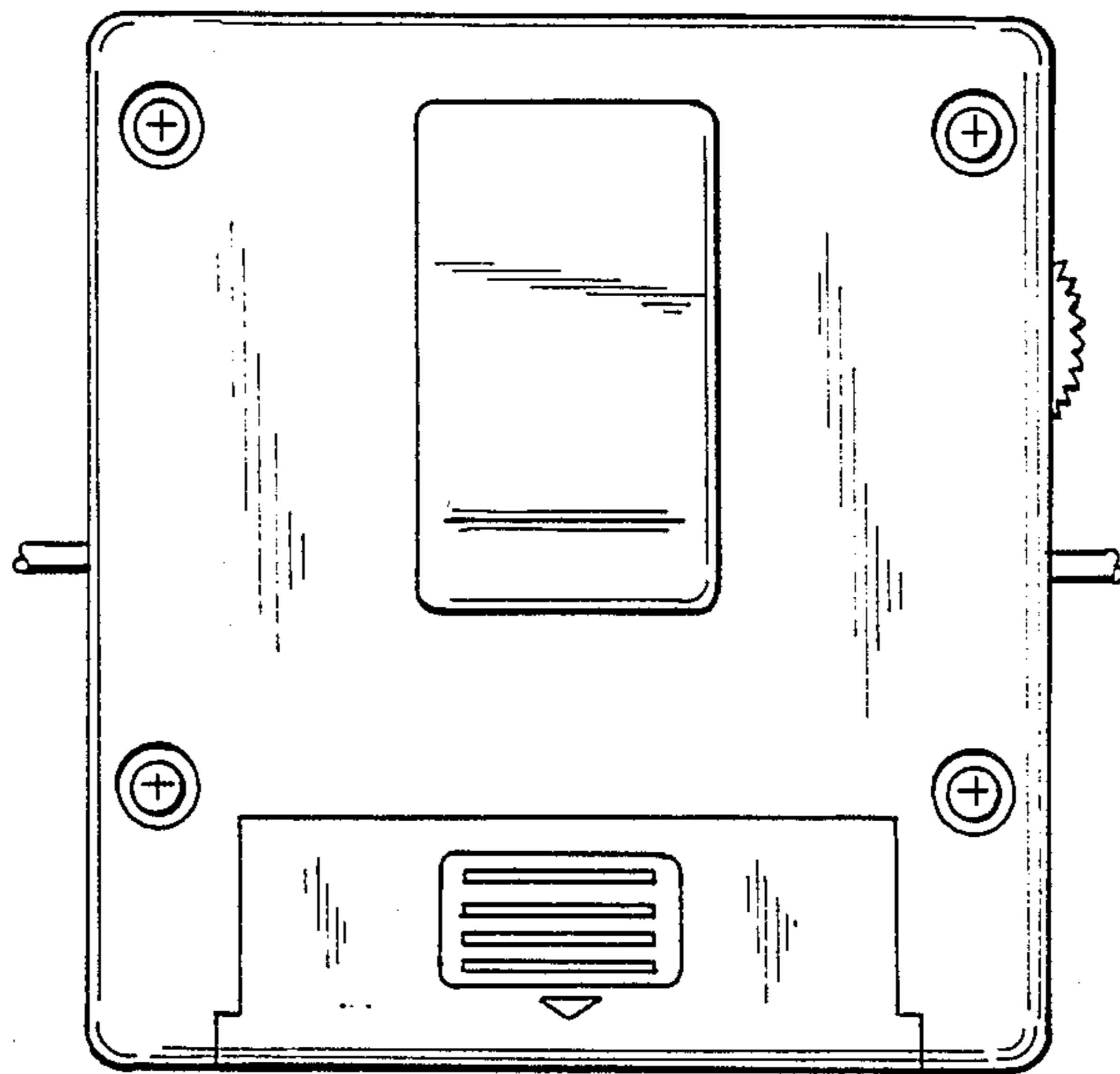


FIG. 6

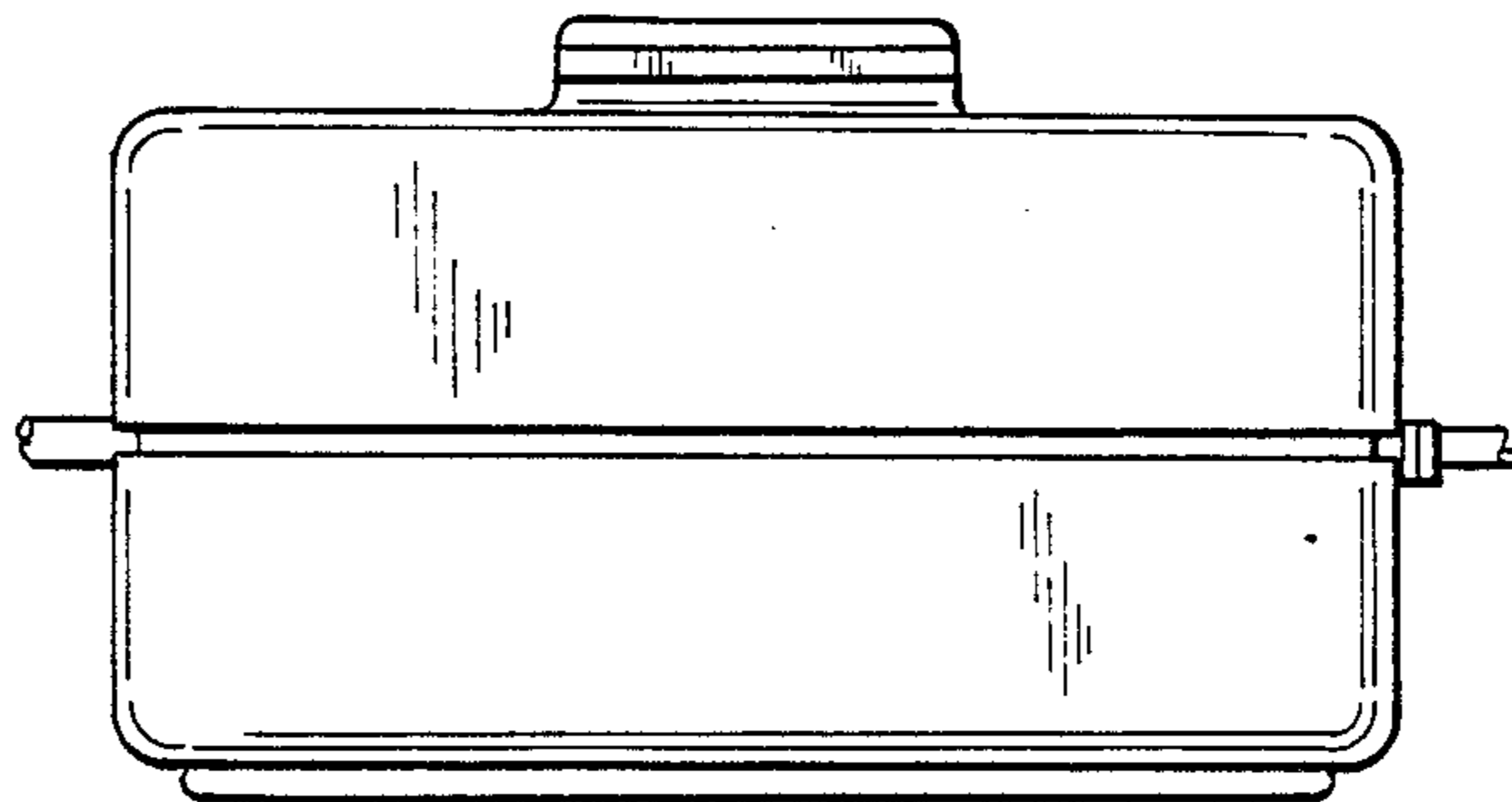


FIG. 5

