

[54] BINOCULAR

[75] Inventors: Donald E. Addy; Byron M. Saper, both of Kansas City, Mo.

[73] Assignee: Jason Empire, Inc., Overland Park, Kans.

[\*\*] Term: 14 Years

[21] Appl. No.: 189,462

[22] Filed: May 2, 1988

[52] U.S. Cl. .... D16/133

[58] Field of Search ..... D16/133; 350/545, 546, 350/548, 549, 550, 551, 552, 555, 556

[56] References Cited

U.S. PATENT DOCUMENTS

- D. 152,432 1/1949 Perkins ..... D16/133
- D. 182,304 3/1958 Rosiello et al. .... D16/133

OTHER PUBLICATIONS

Jason Empire Binoculars Mercury Model 111.  
 Jason Seeing the World and Beyond.  
 Official Gazette of Oct. 20, 1987, p. 1670, Binocular.

Primary Examiner—A. Hugo Word

Assistant Examiner—Doris V. Coles  
Attorney, Agent, or Firm—Litman, McMahon & Brown

[57] CLAIM

The ornamental design for a binocular, as shown and described.

DESCRIPTION

FIG. 1 is a perspective view of a binocular showing our new design.

FIG. 2 is a top plan view of the binocular.

FIG. 3 is a bottom plan view of the binocular.

FIG. 4 is a side elevational view thereof;

FIG. 5 is a front elevational view thereof;

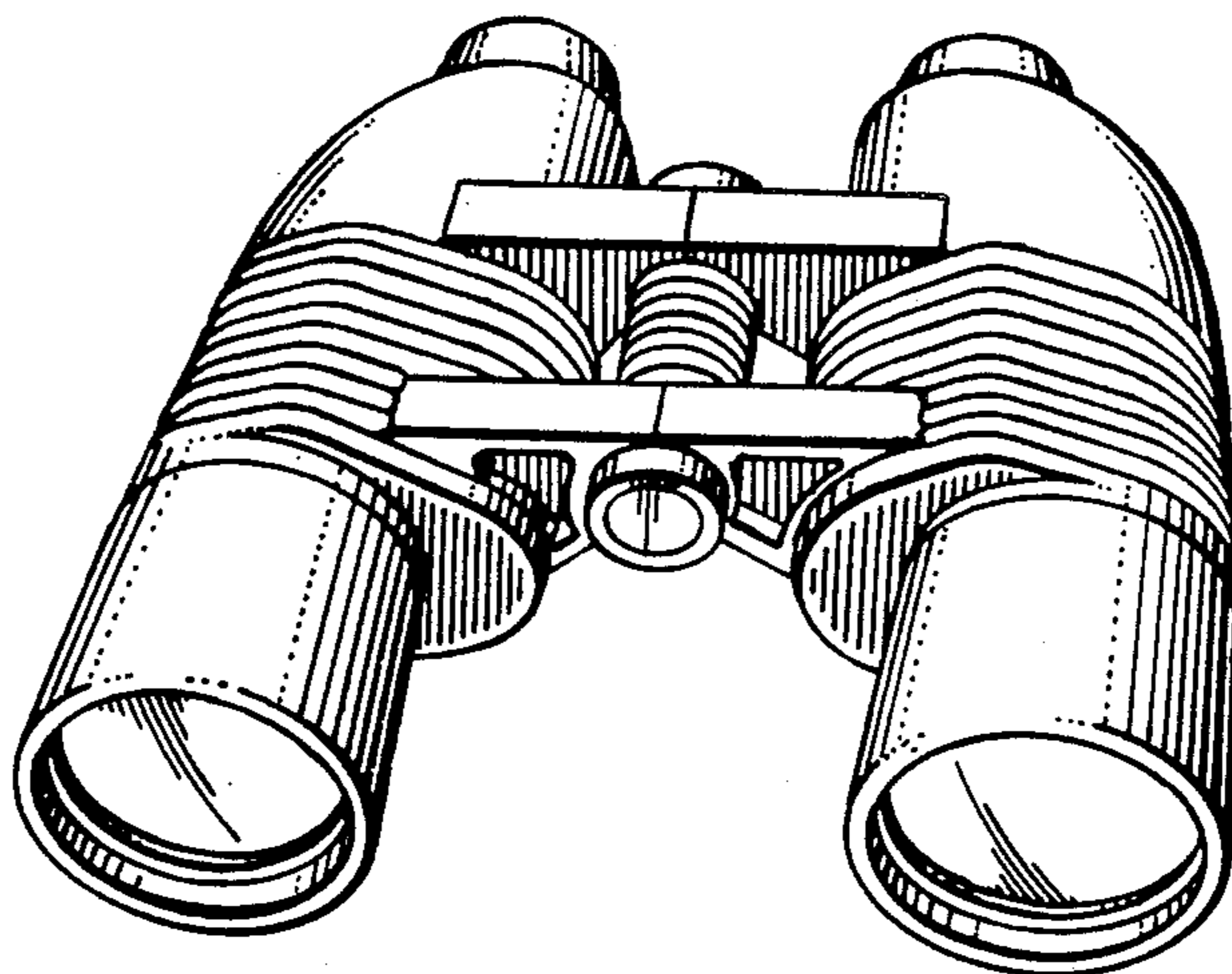
FIG. 6 is a rear elevational view thereof;

FIG. 7 is a top plan view of a modified form of the binocular;

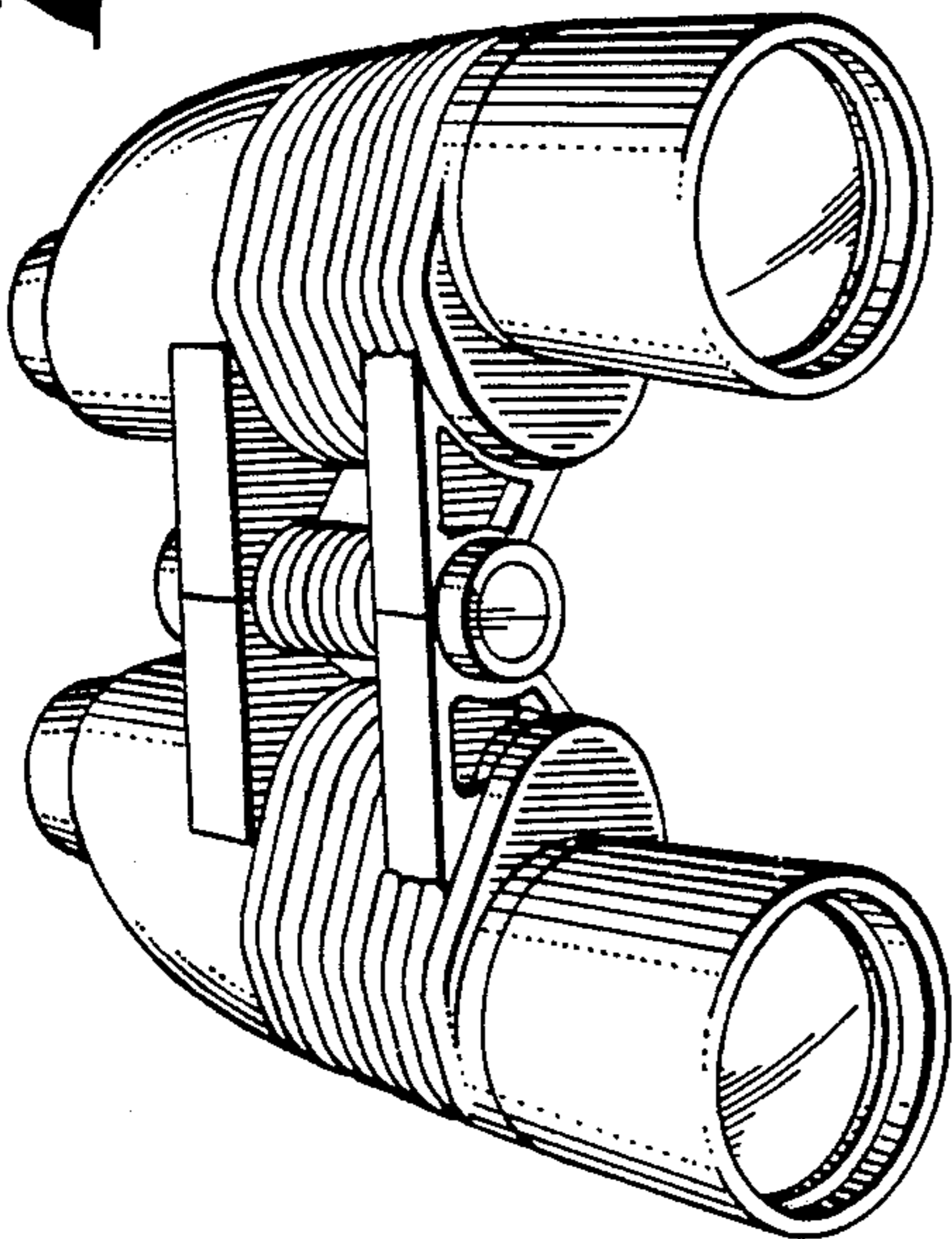
FIG. 8 is a top plan view of a further modified binocular; and

FIG. 9 is a top plan view of a still further modified form of the binocular.

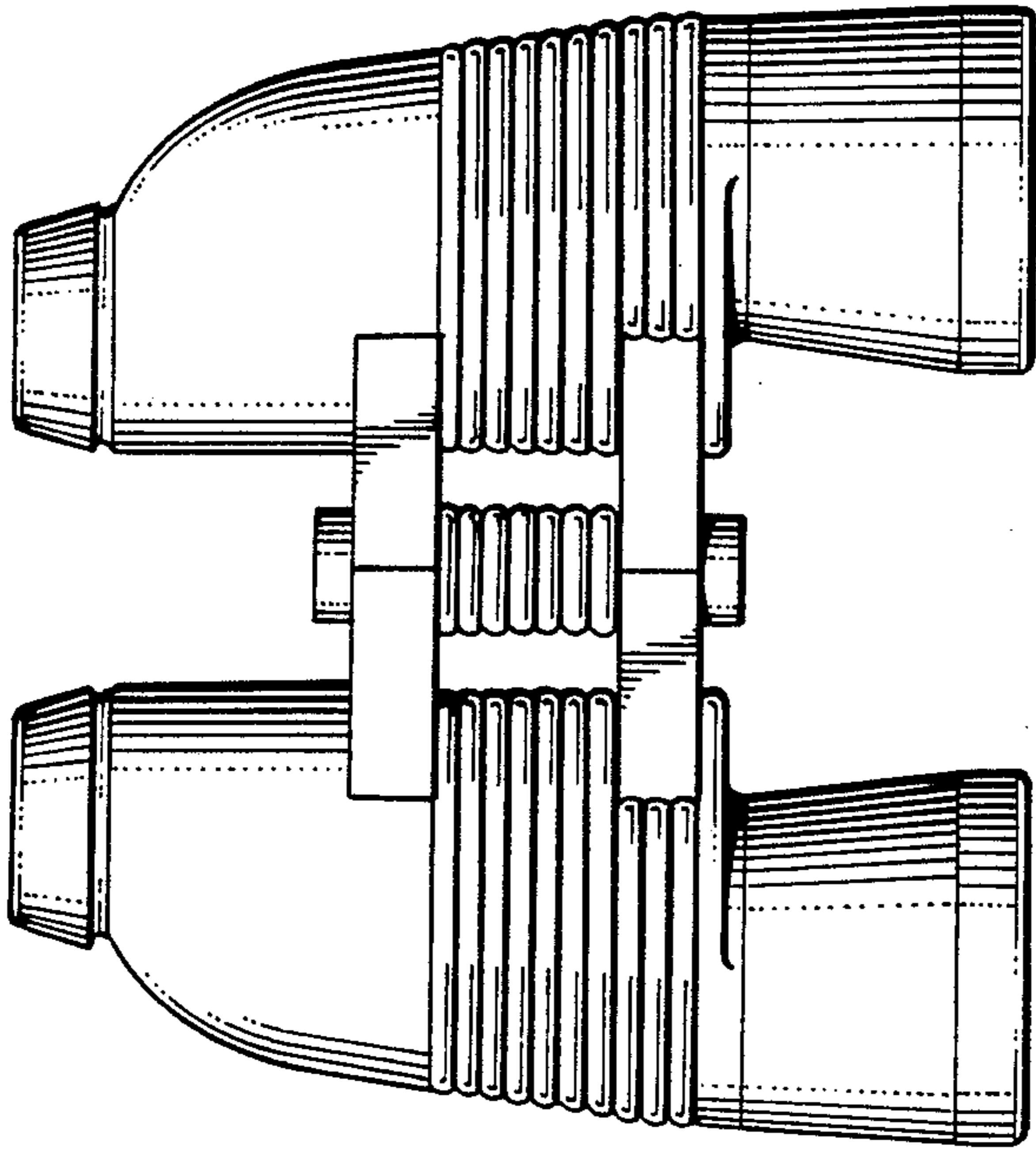
The perspective view, bottom plan view, side elevational view, front elevational view and rear elevational view of the modified forms of the binocular of FIGS. 7, 8 and 9 are the same as the binocular of FIG. 1 adjusted for the proportion as shown in FIGS. 7, 8 and 9.



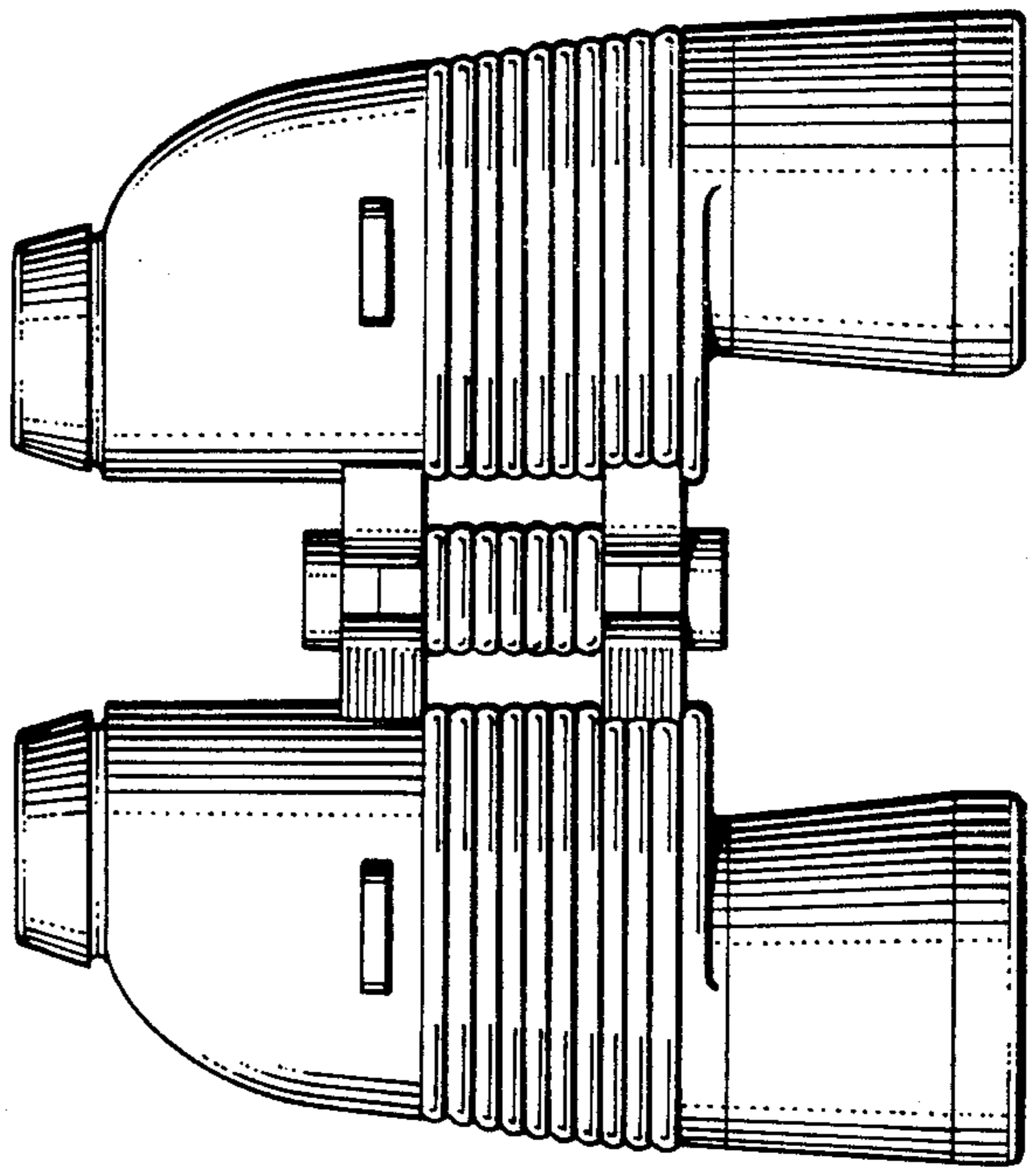
**Fig. 1.**



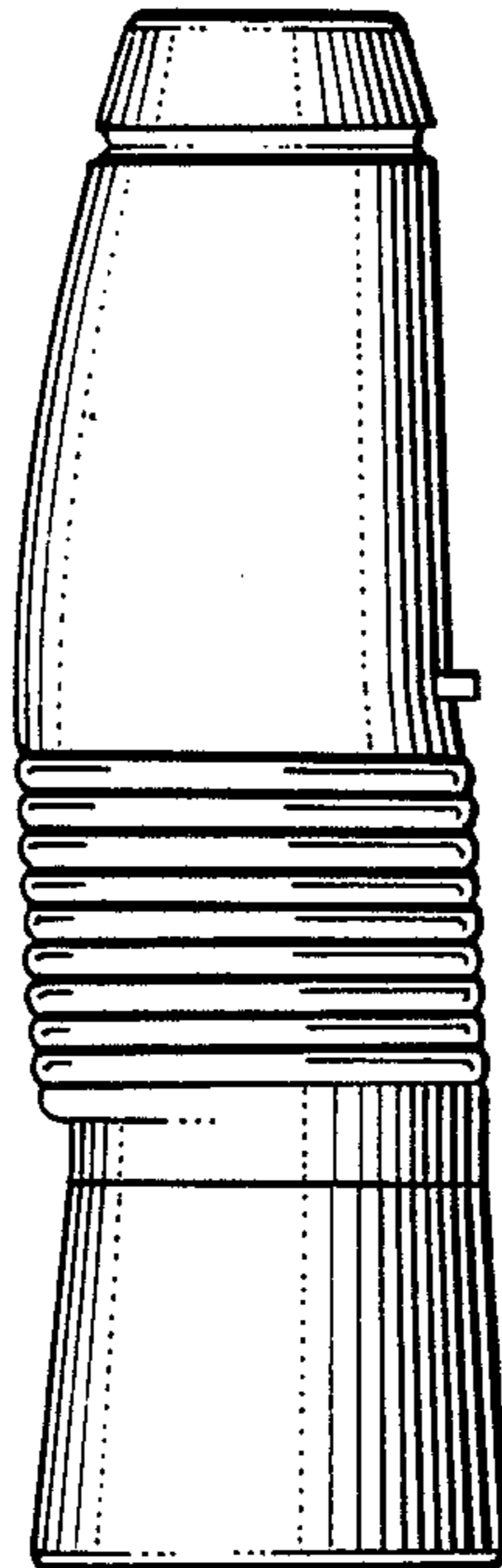
**Fig. 2.**



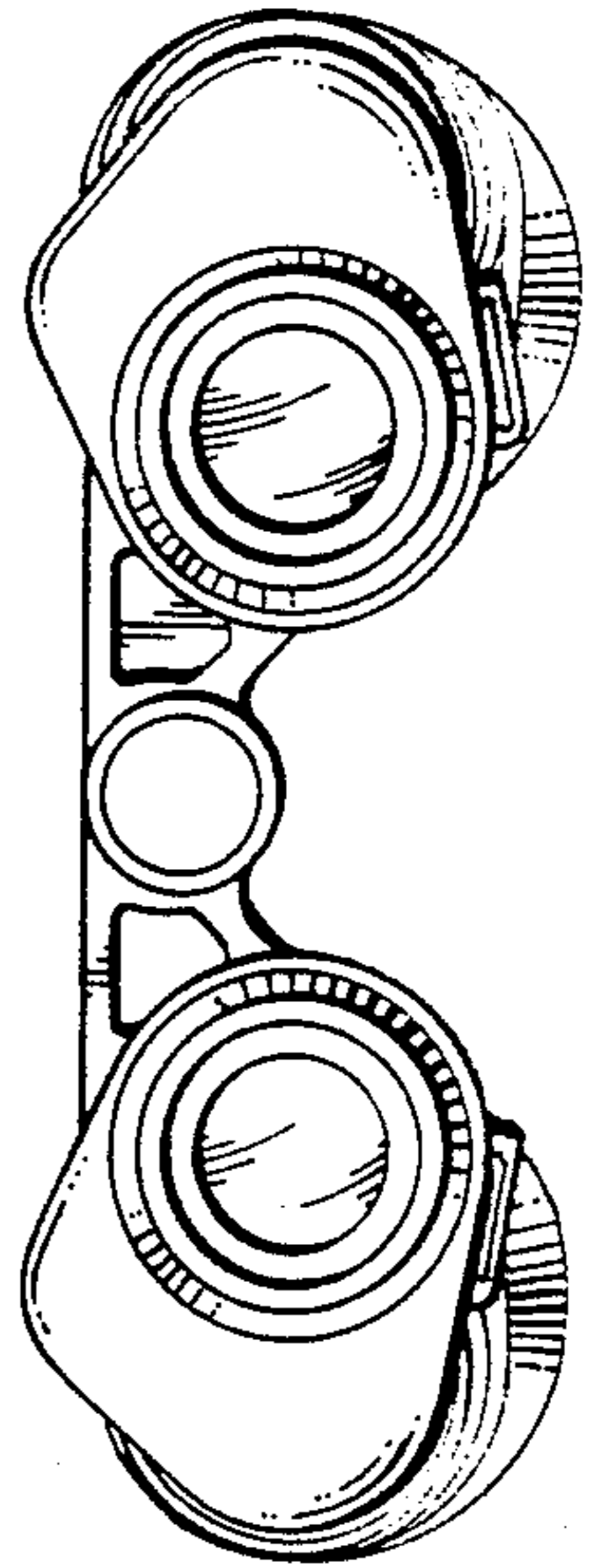
**Fig. 3.**



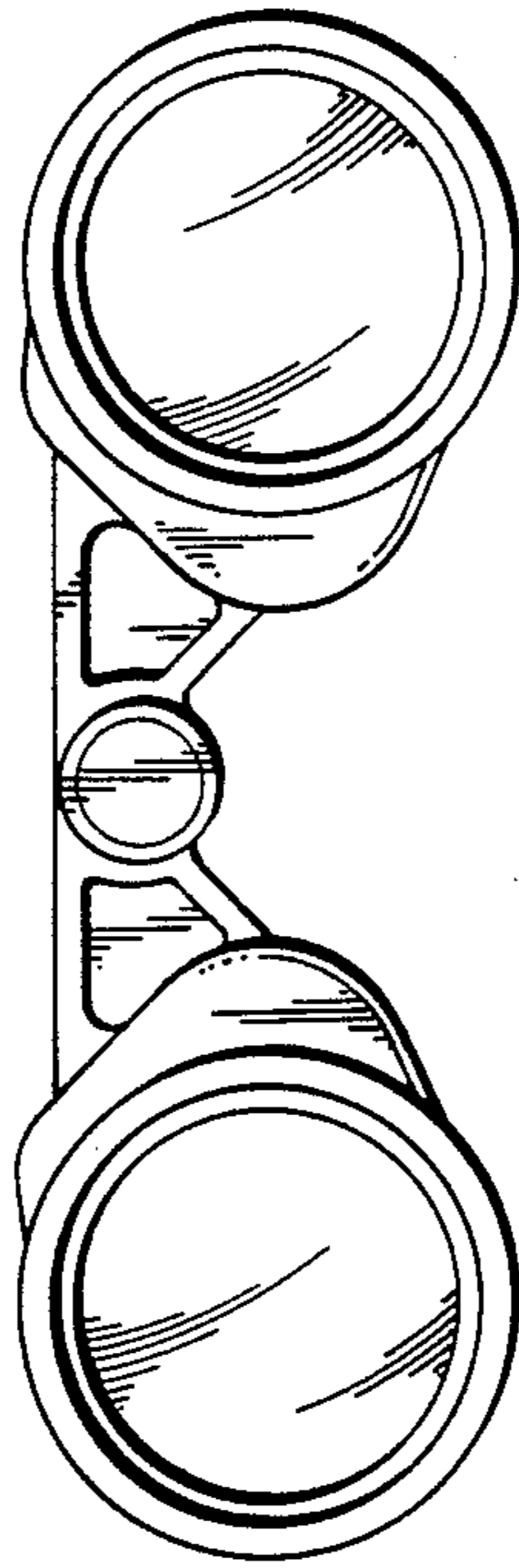
**Fig. 4.**



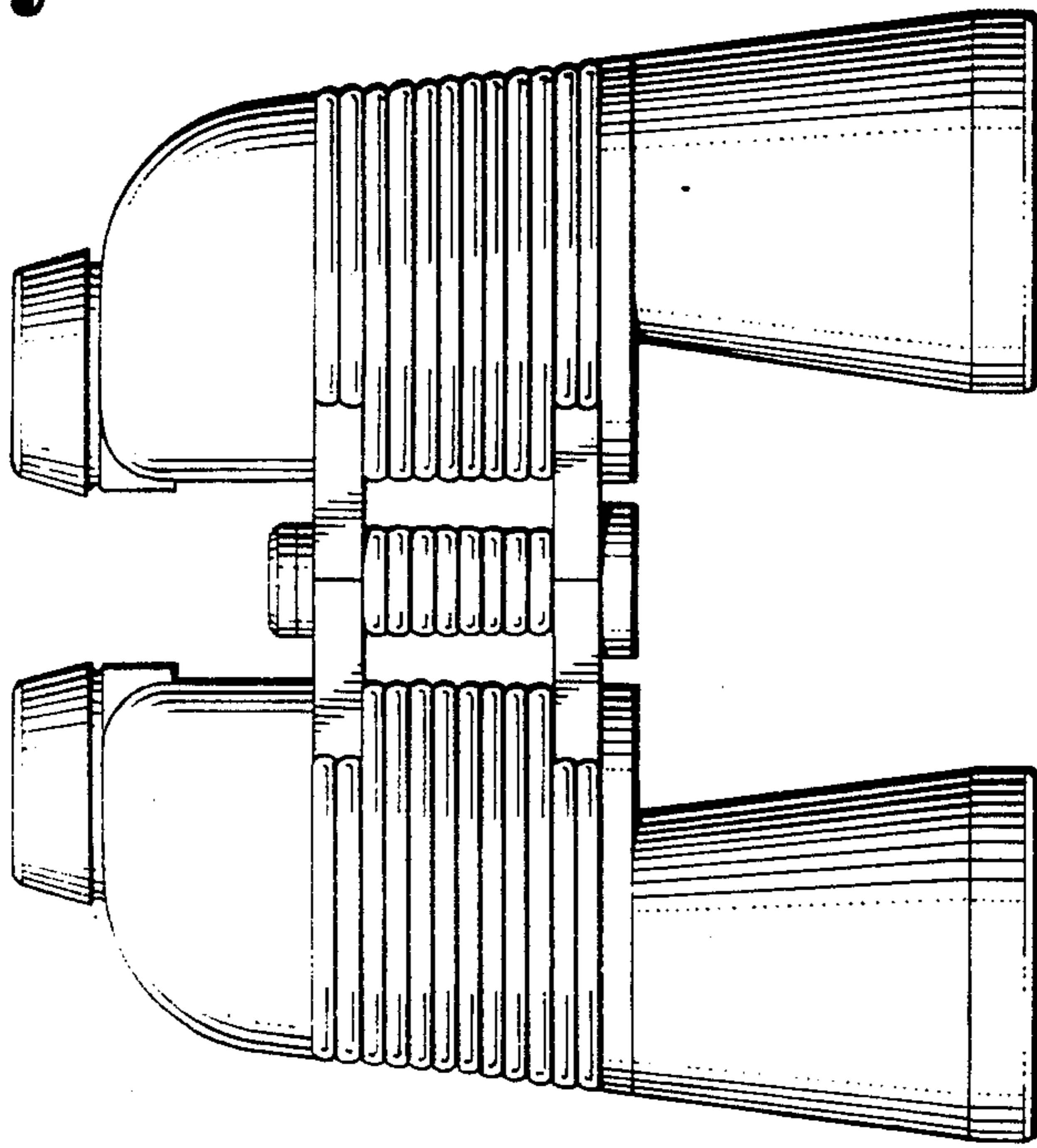
**Fig. 5.**



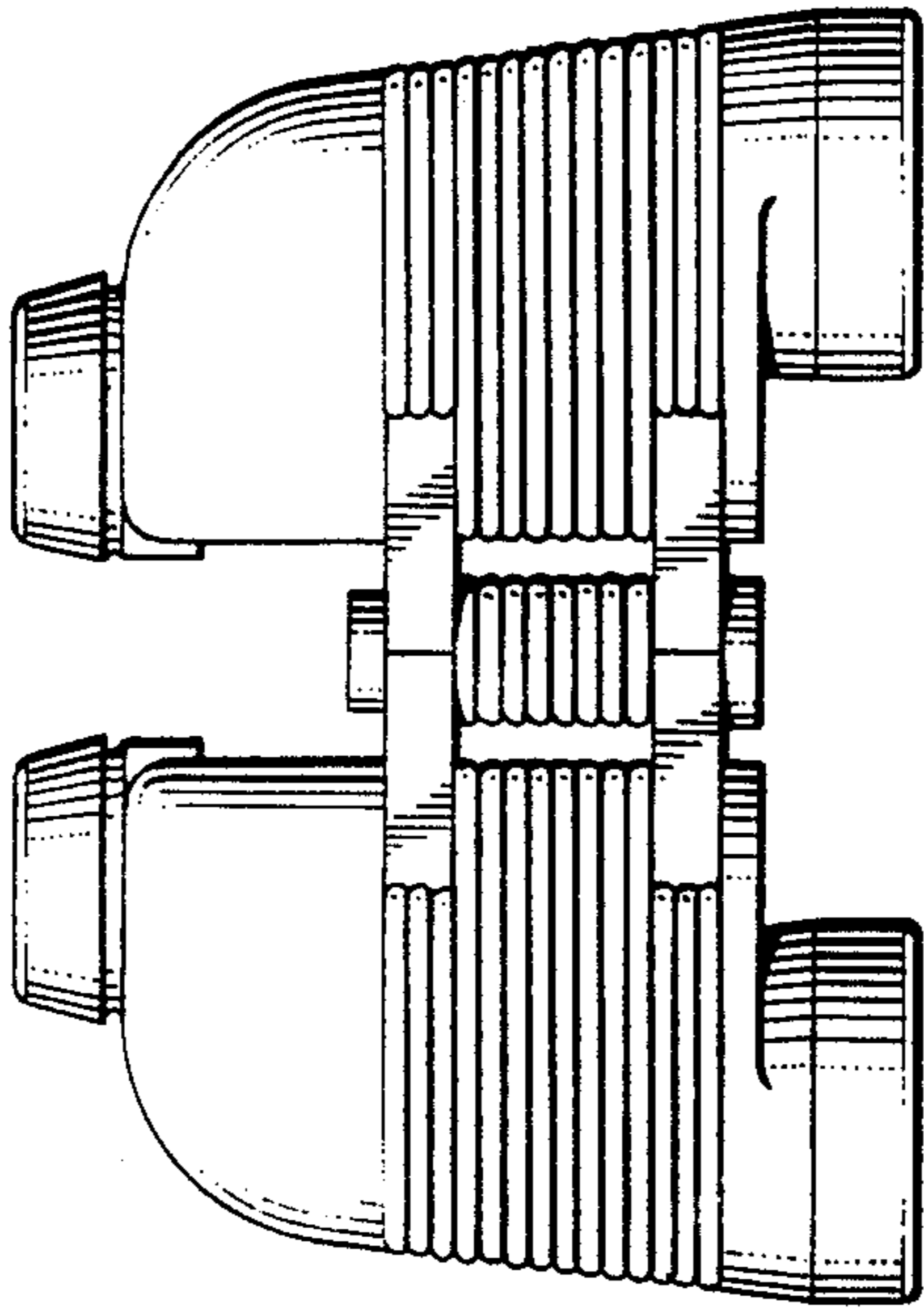
**Fig. 6.**



**Fig. 7.**



**Fig. 8.**



**Fig. 9.**

