

[54] PUMP ASSEMBLY FOR HIGH-VISCOSITY LIQUID PRODUCTS

D. 299,720 2/1989 Yoo D15/7
3,163,117 12/1964 Hoentjens 417/321

[75] Inventors: Frank J. Russold; Fred L. Laqua, both of Wichita, Kans.

Primary Examiner—Wallace R. Burke
Assistant Examiner—Brian N. Vinson
Attorney, Agent, or Firm—Bill D. McCarthy

[73] Assignee: Great Plains Industries, Inc., Wichita, Kans.

[57] CLAIM

[**] Term: 14 Years

The ornamental design for a pump assembly for high-viscosity liquid products, as shown and described.

[21] Appl. No.: 118,964

DESCRIPTION

[22] Filed: Nov. 10, 1987

[52] U.S. Cl. D15/7

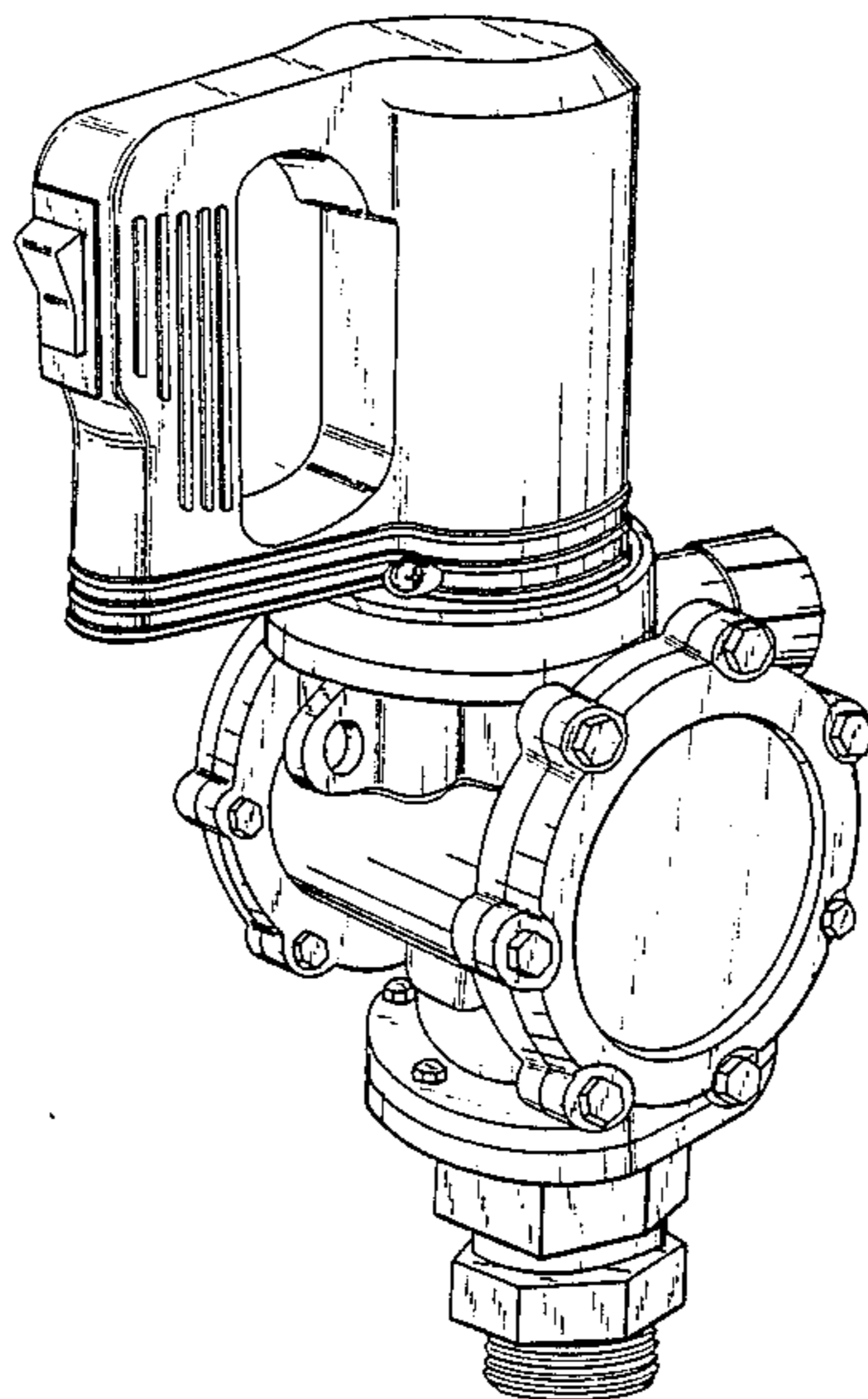
[58] Field of Search D15/7, 9; 417/234-235, 417/48, 321, 572, 424, 307

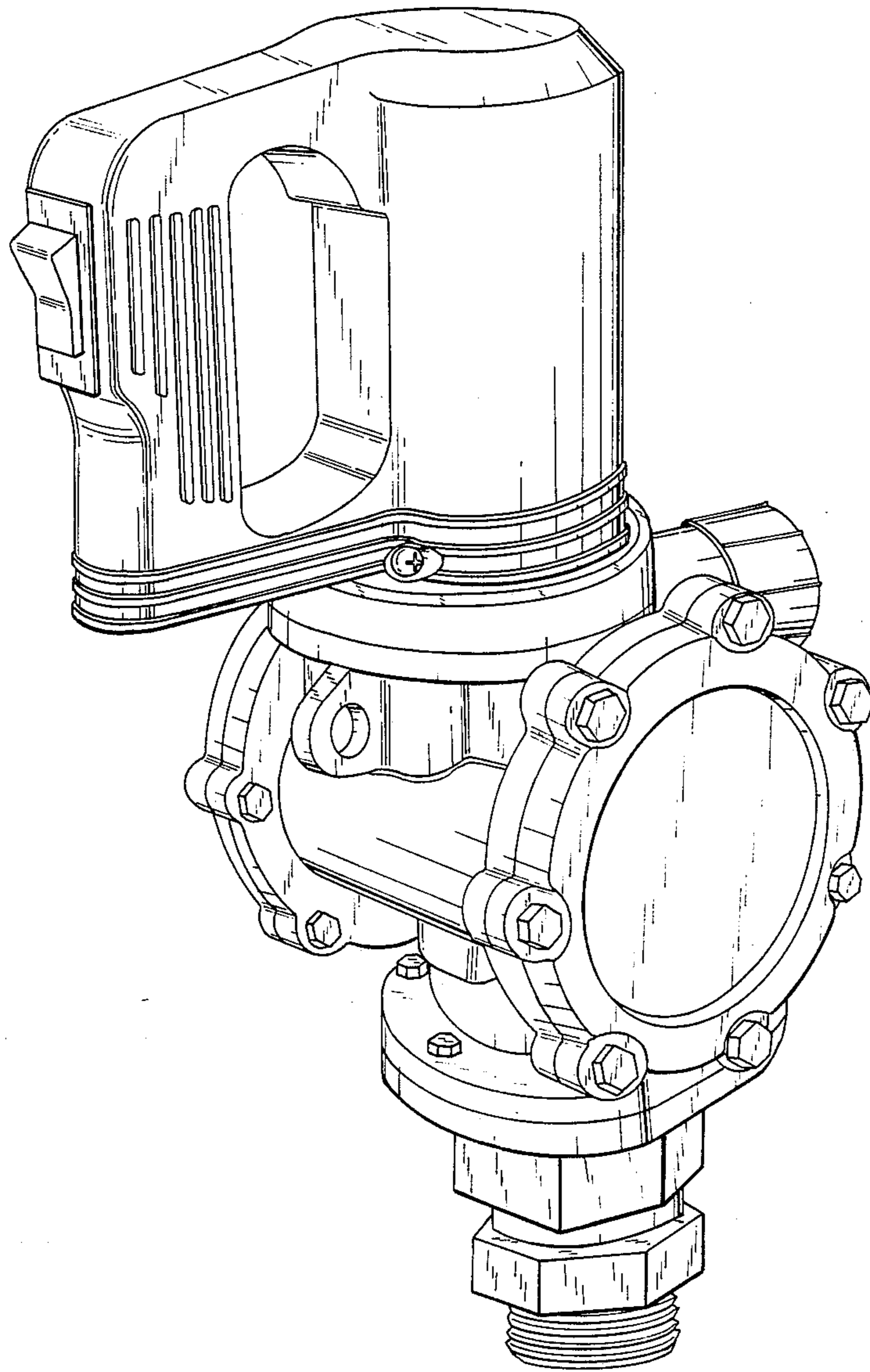
[56] References Cited

U.S. PATENT DOCUMENTS

- D. 262,113 12/1981 Durrum D15/7
- D. 263,843 4/1982 Pareja D15/7
- D. 288,325 2/1987 Davis et al. D15/7

FIG. 1 is a top, rear, and left side perspective view of a pump assembly for high-viscosity liquid products showing our new design;
 FIG. 2 is a front, bottom, and right side perspective view thereof;
 FIG. 3 is a front elevational view thereof;
 FIG. 4 is a rear elevational view thereof;
 FIG. 5 is a top plan view thereof;
 FIG. 6 is a left side elevational view thereof;
 FIG. 7 is a right side elevational view thereof; and
 FIG. 8 is a bottom plan view thereof.





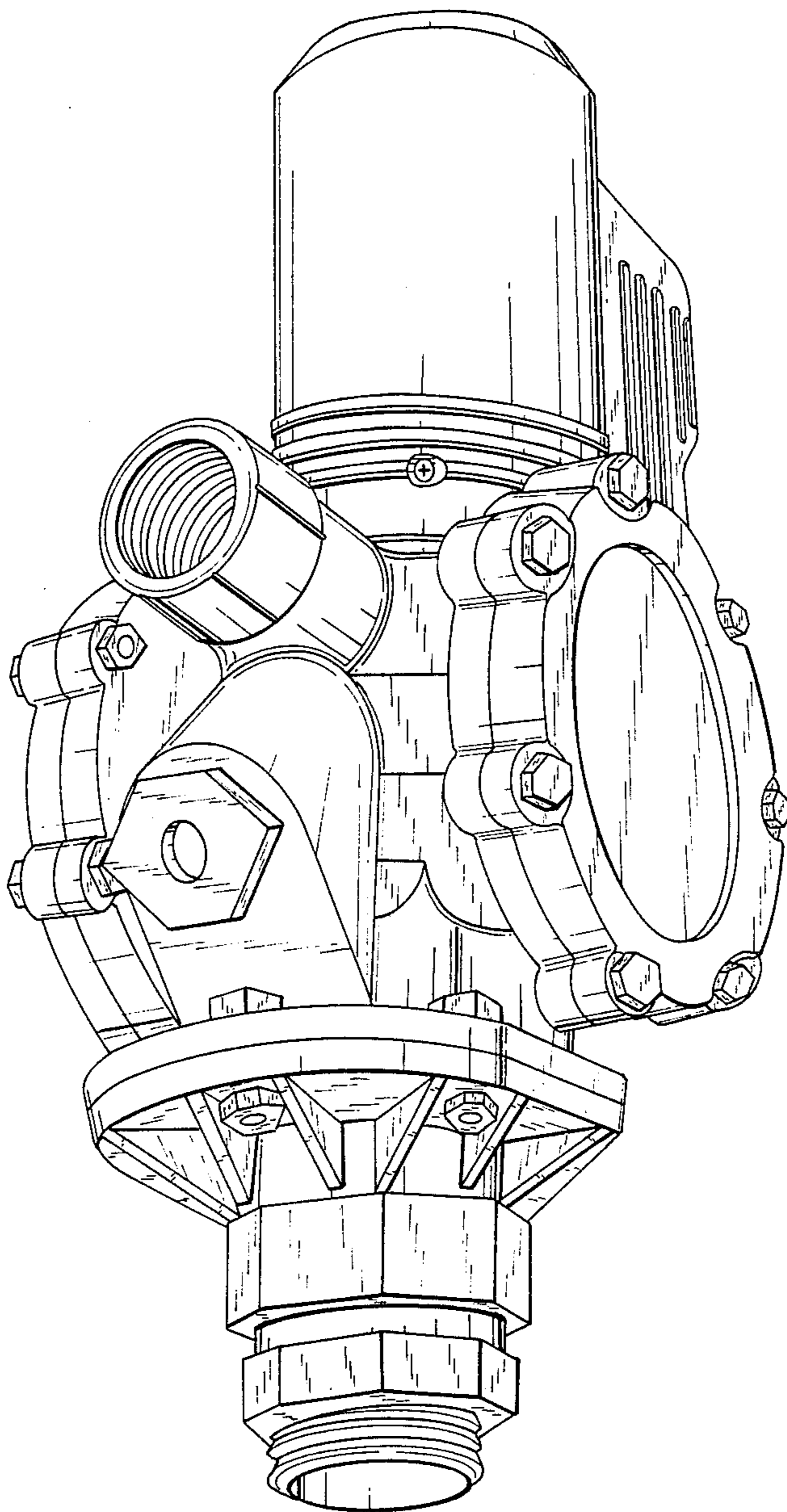
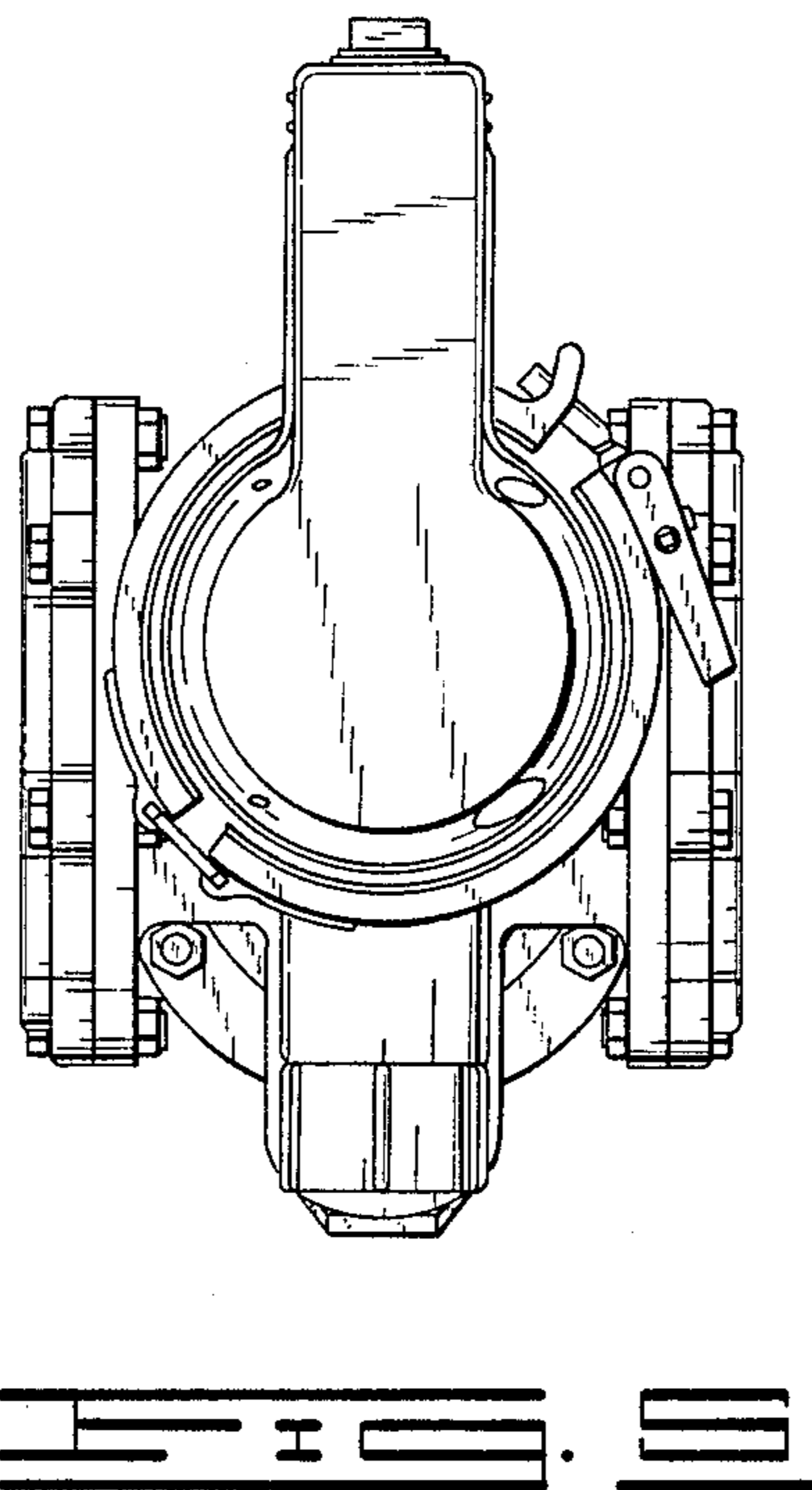
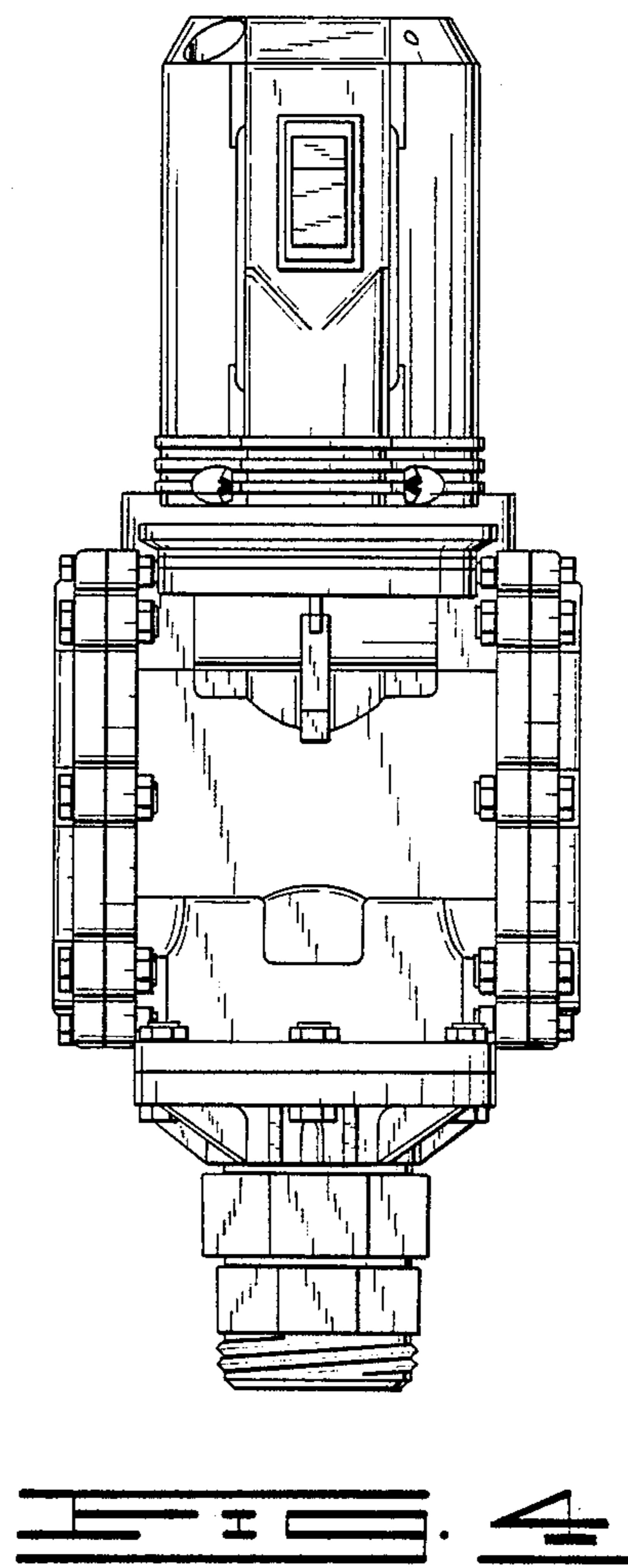
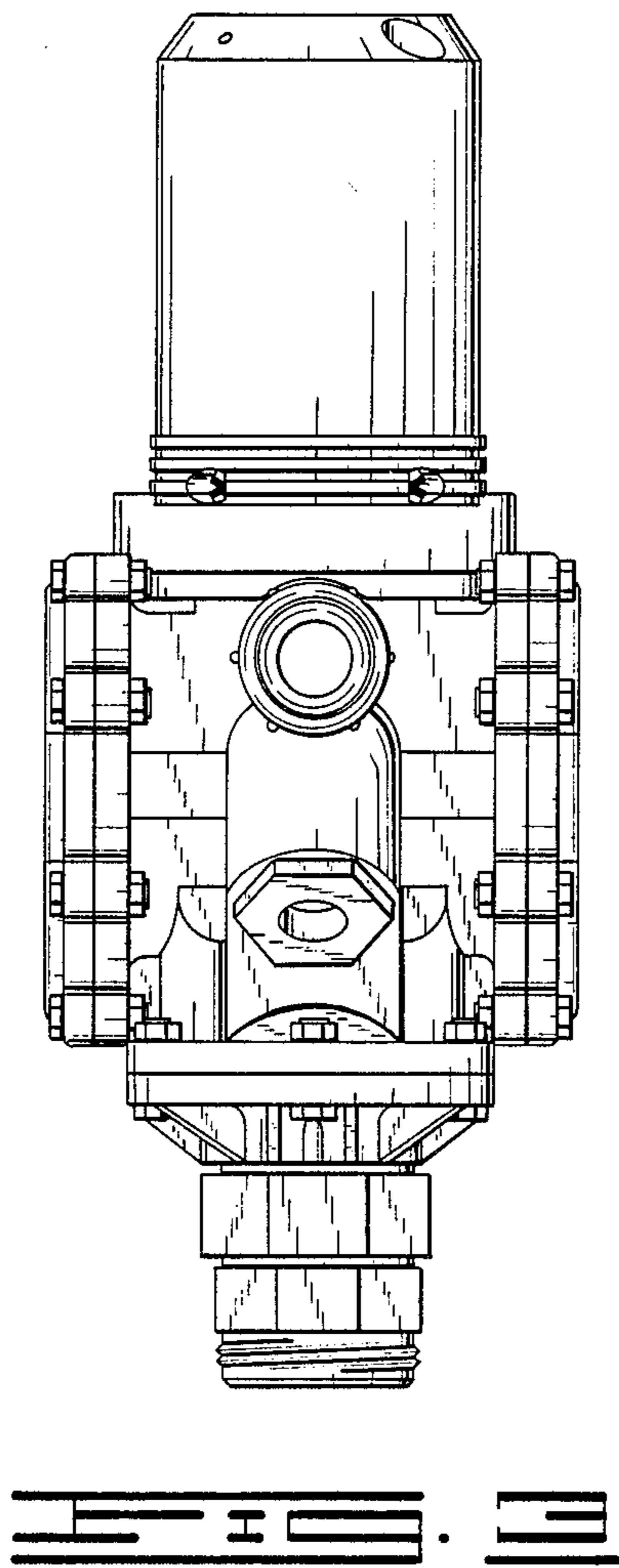


FIG. 2



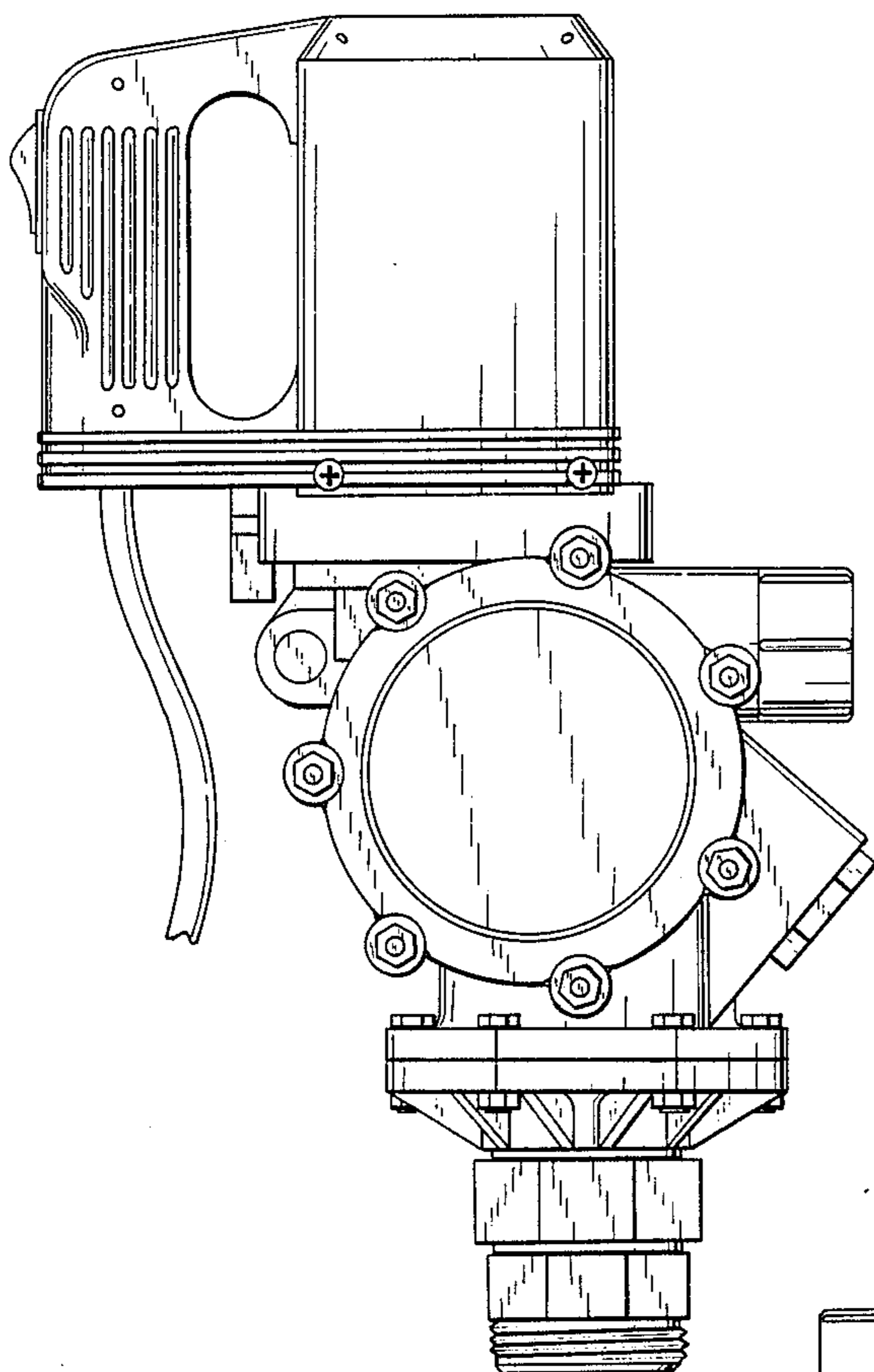


FIG. 1

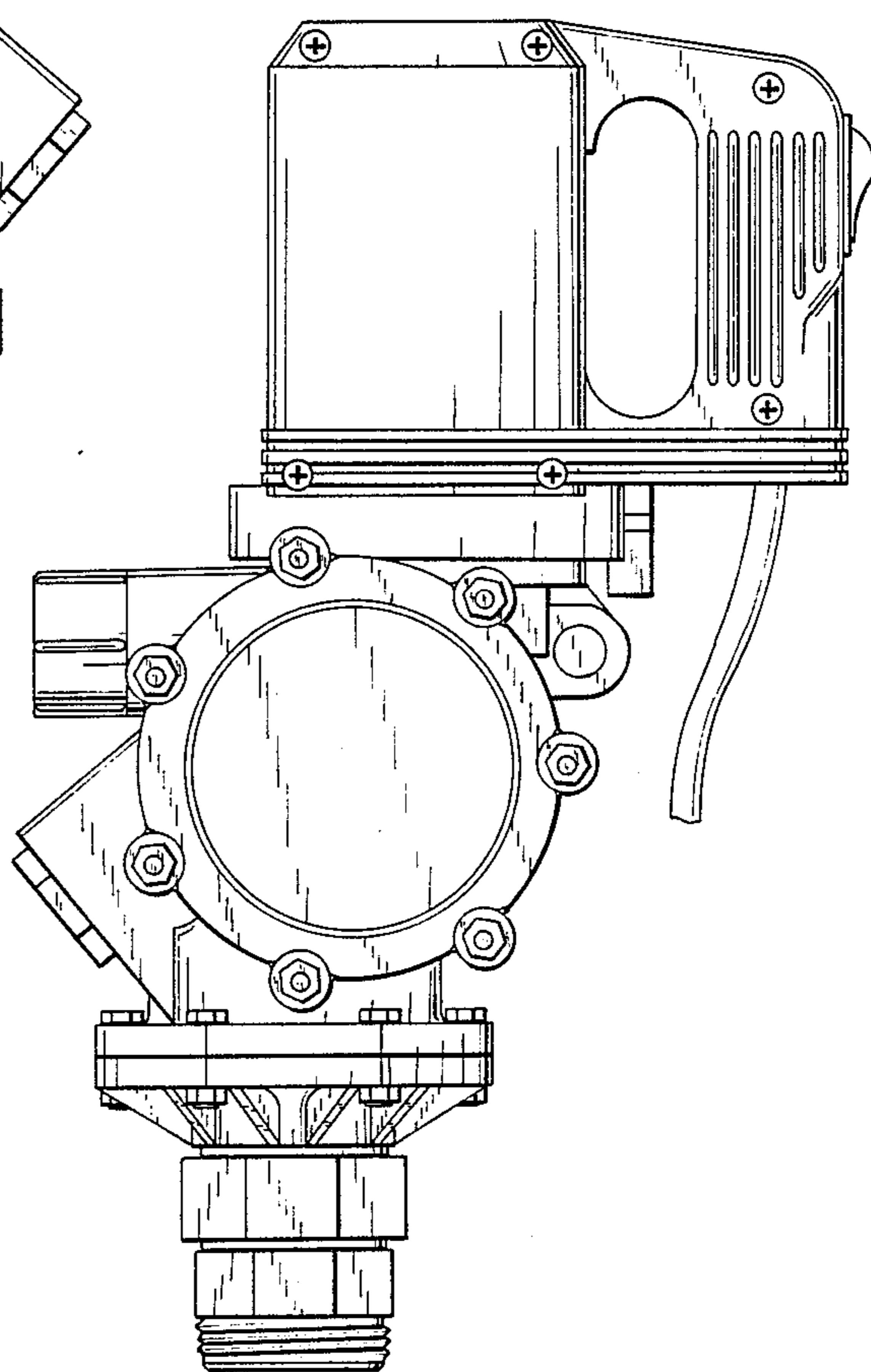


FIG. 2

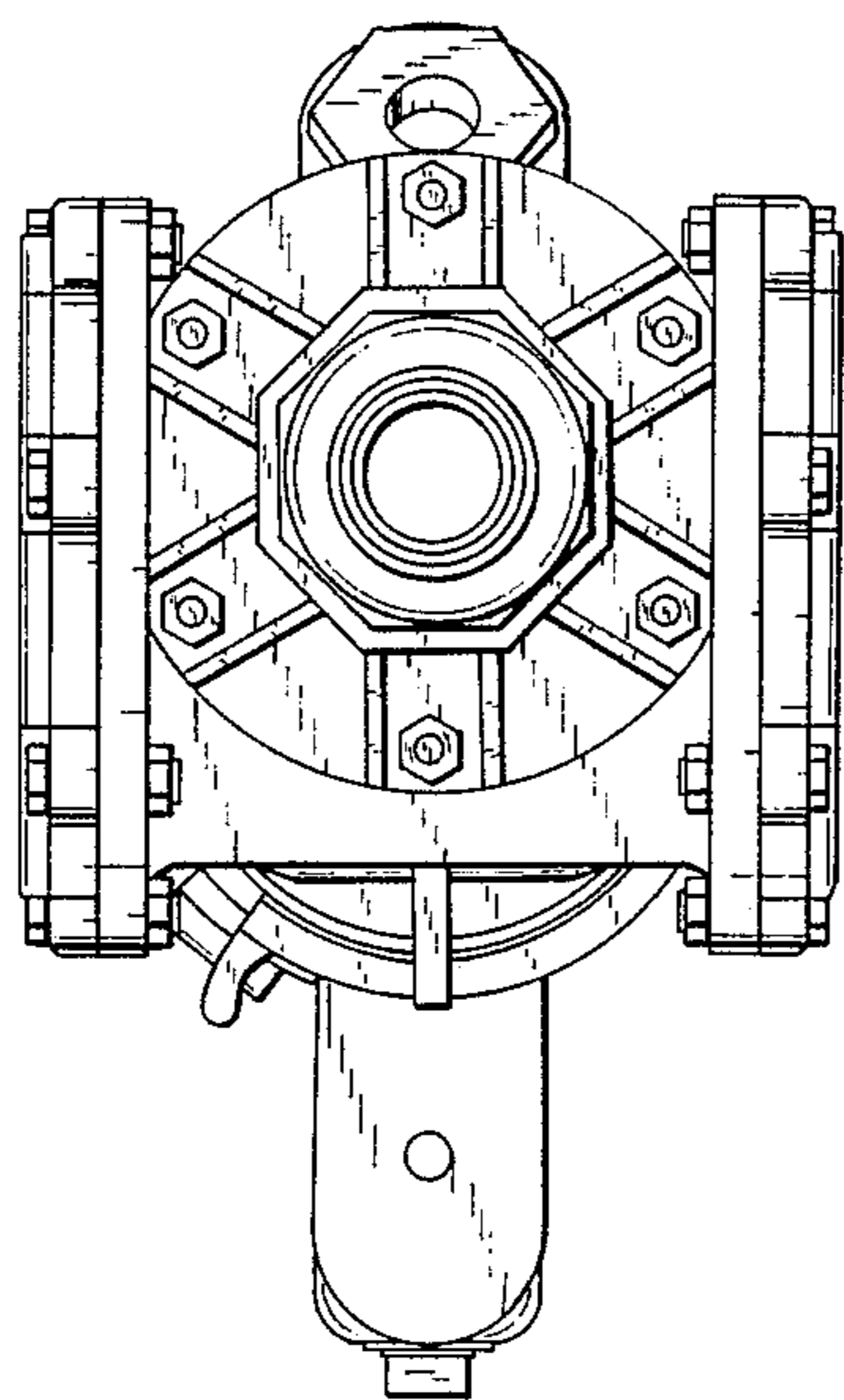


FIG. 3