

[54] **CONTROL PANEL FOR A COMBINED VEHICULAR RADIO RECEIVER AND CASSETTE PLAYER**

[75] **Inventors: James Van Hout, Auburn Hills; Michael G. Moore, Rochester; Thomas C. Slanec, Grosse Pointe Woods, all of Mich.**

[73] **Assignee: Chrysler Corporation, Highland Park, Mich.**

[\*\*] **Term: 14 Years**

[21] **Appl. No.: 27,964**

[22] **Filed: Mar. 19, 1987**

[52] **U.S. Cl. .... D14/258**

[58] **Field of Search ..... D14/124, 156-172, D14/188-198, 217, 257-258, 260, 265, 299; 455/344-346, 350, 351**

[56] **References Cited**

**U.S. PATENT DOCUMENTS**

- D. 261,136 10/1981 Yamada et al. .... D14/157
- D. 276,335 11/1984 Yoshida ..... D14/157
- D. 288,928 3/1987 Gierschick ..... D14/257
- D. 292,398 10/1987 Kifer et al. .... D14/258
- D. 292,795 11/1987 Newman ..... D14/157

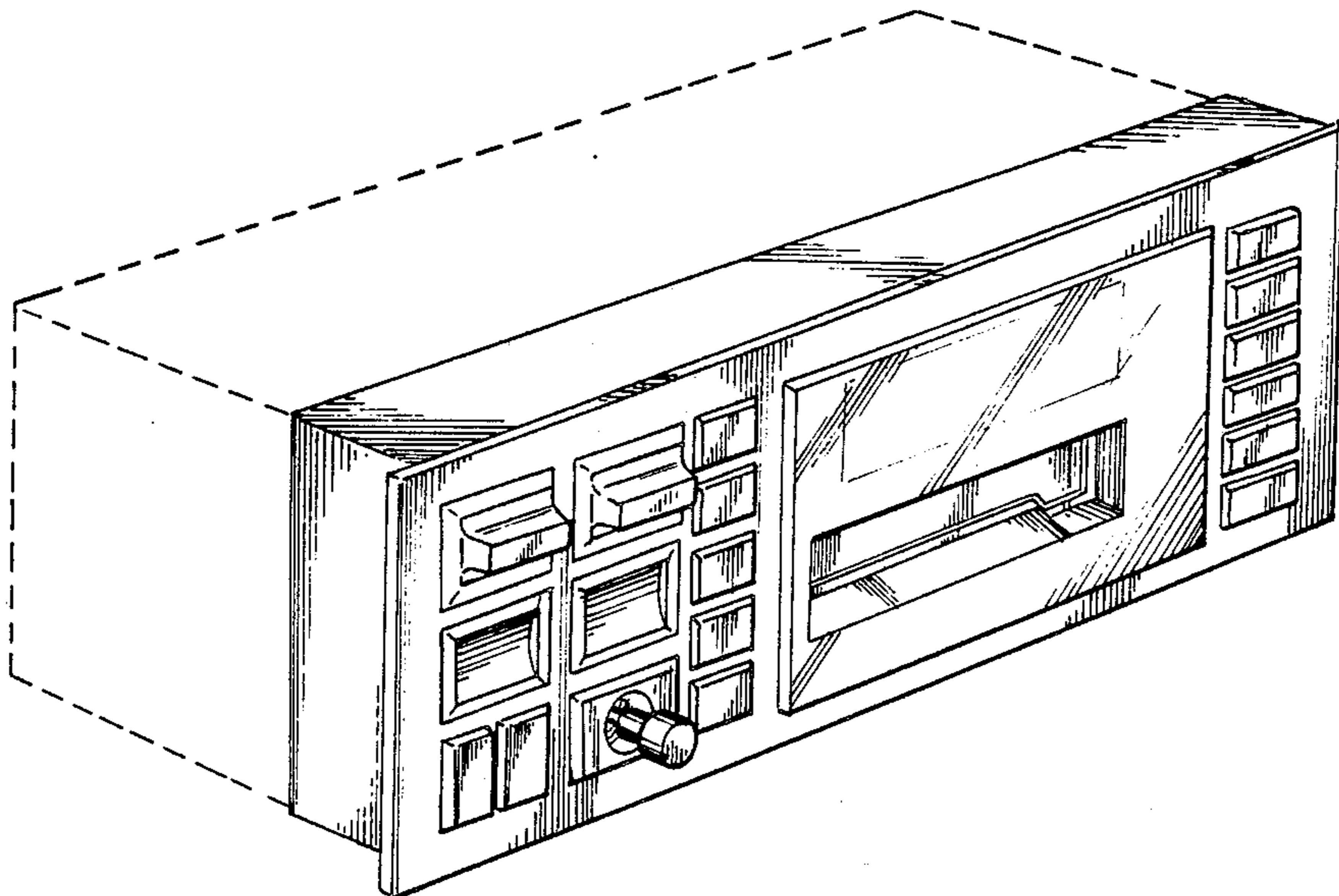
*Primary Examiner*—Theodore M. Shooman  
*Attorney, Agent, or Firm*—Wendell K. Fredericks

[57] **CLAIM**

The ornamental design for a control panel for a combined vehicular radio receiver and cassette player, as shown and described.

**DESCRIPTION**

FIG. 1 is a top, front and left side perspective view of a control panel for a combined vehicular radio receiver and cassette player showing our new design; FIG. 2 is a front elevational view thereof; and FIG. 3 is a right side elevational view thereof. The broken line showing is for illustrative purposes only and forms no part of the claimed design.



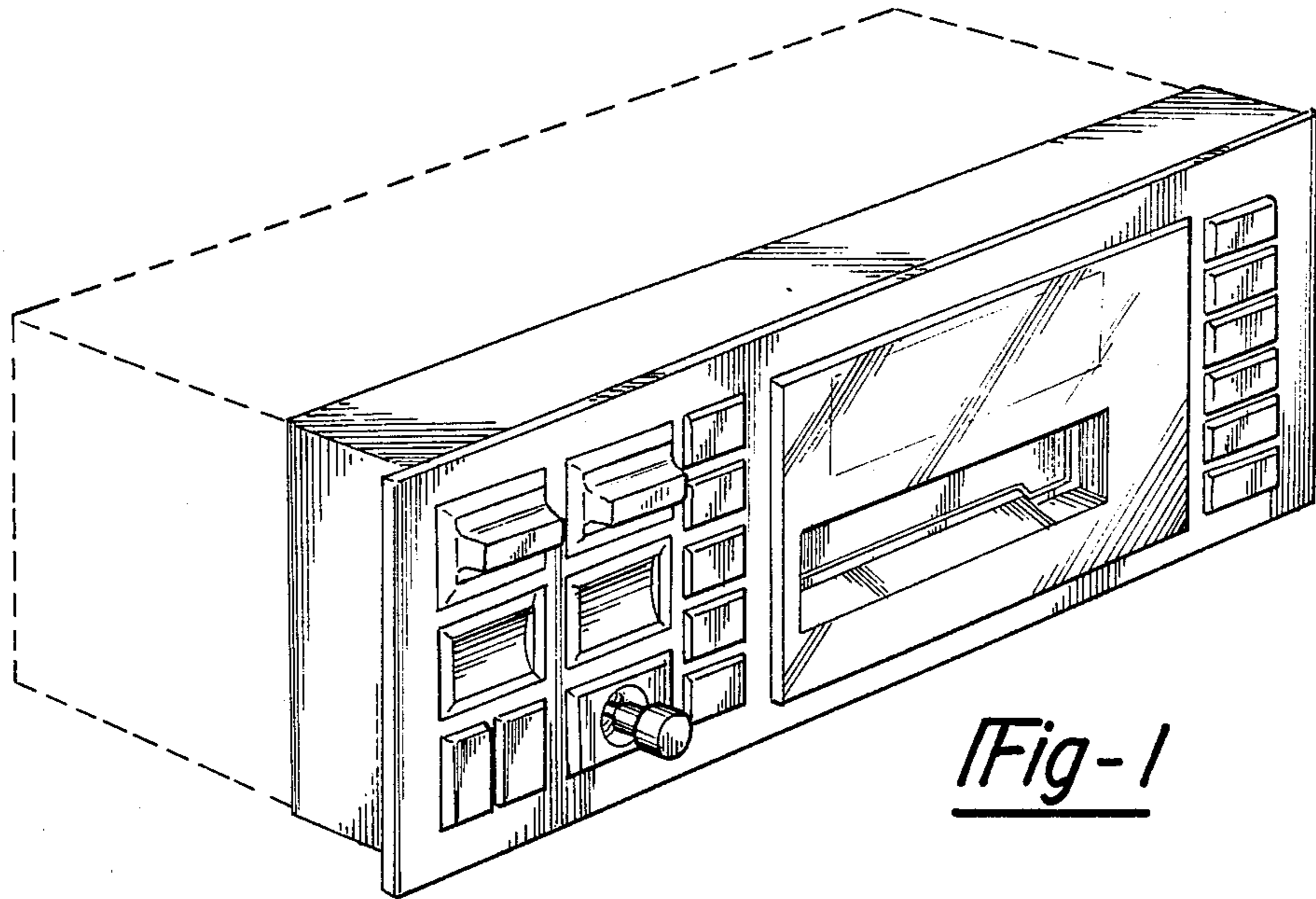


Fig-1

Fig-2

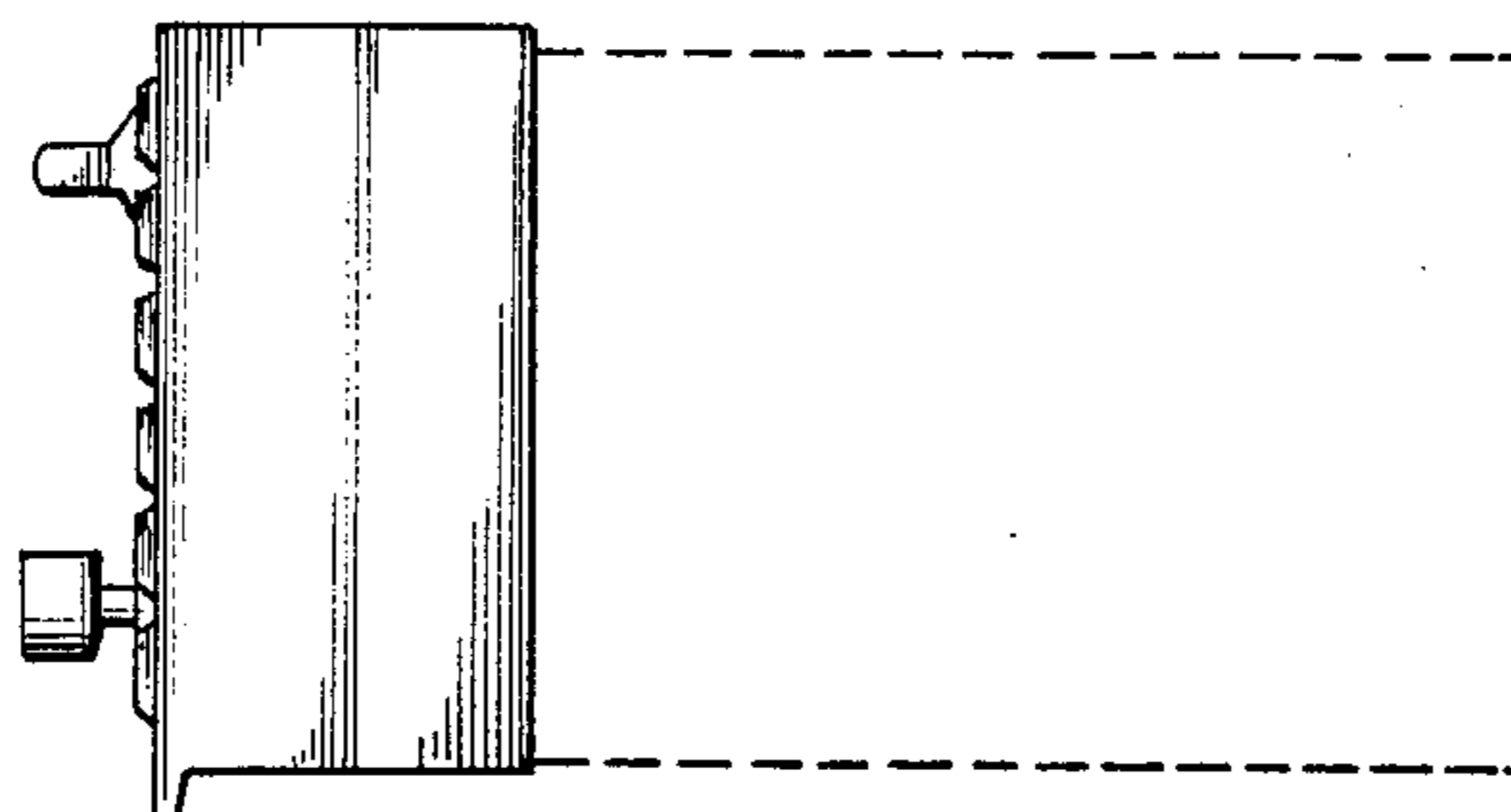
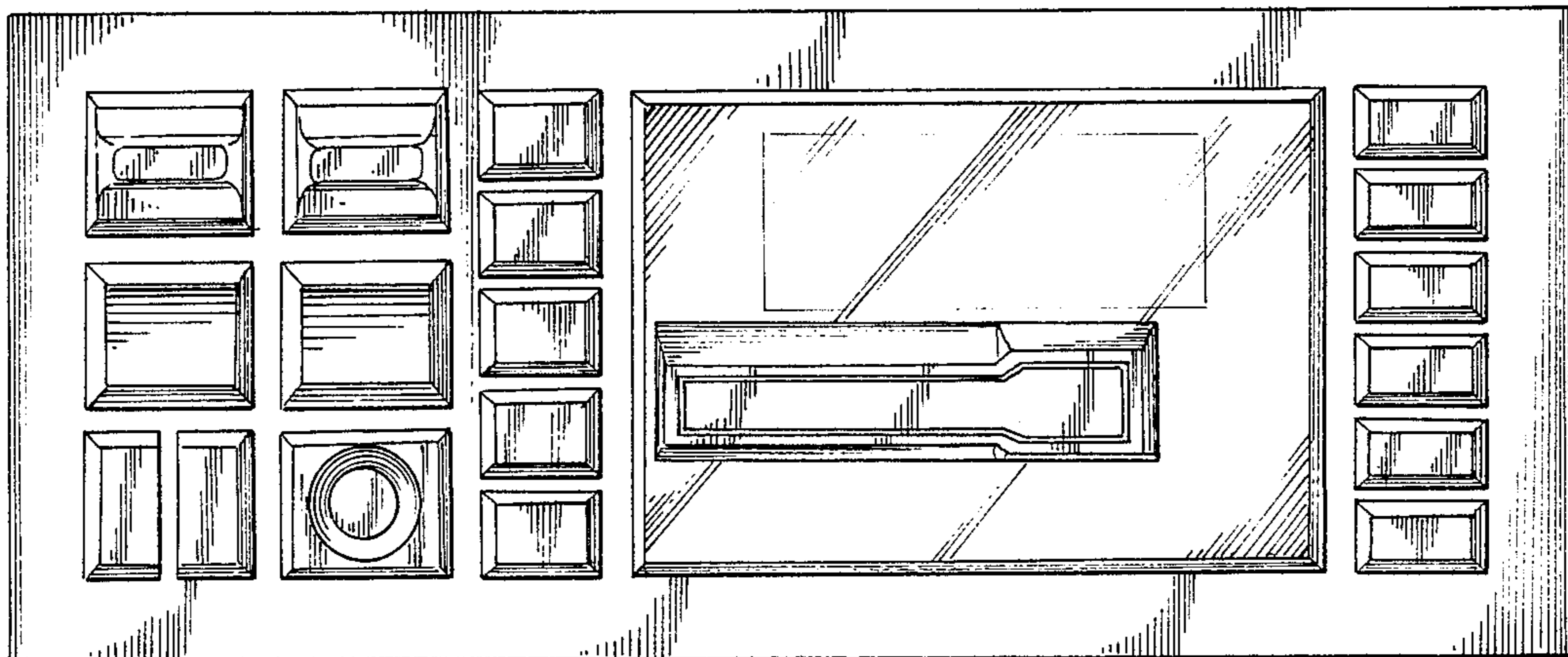


Fig-3