

[54] CONTROL PANEL FOR A COMBINED VEHICULAR RADIO RECEIVER, CASSETTE PLAYER, DIGITAL CLOCK AND GRAPHIC EQUALIZER

[75] Inventors: Richard Megregian, Farmington Hills; Michael G. Moore, Rochester; L. John Ozark, Grosse Pointe Woods, all of Mich.

[73] Assignee: Chrysler Corporation, Highland Park, Mich.

[**] Term: 14 Years

[21] Appl. No.: 27,965

[22] Filed: Mar. 19, 1987

[52] U.S. Cl. D14/258

[58] Field of Search D14/124, 156-172, D14/188-198, 217, 257-258, 260, 265, 299; 455/344-346, 350, 351

[56] References Cited

U.S. PATENT DOCUMENTS

- D. 261,136 10/1981 Yamada et al. D14/157
- D. 276,335 11/1984 Yoshida D14/157
- D. 288,928 3/1987 Gierschick D14/257
- D. 292,398 10/1987 Kifer et al. D14/258
- D. 292,795 11/1987 Newman D14/157

Primary Examiner—Theodore M. Shooman
Attorney, Agent, or Firm—Wendell K. Fredericks

[57] CLAIM

The ornamental design for a control panel for a combined vehicular radio receiver, cassette player, digital clock and graphic equalizer, as shown and described.

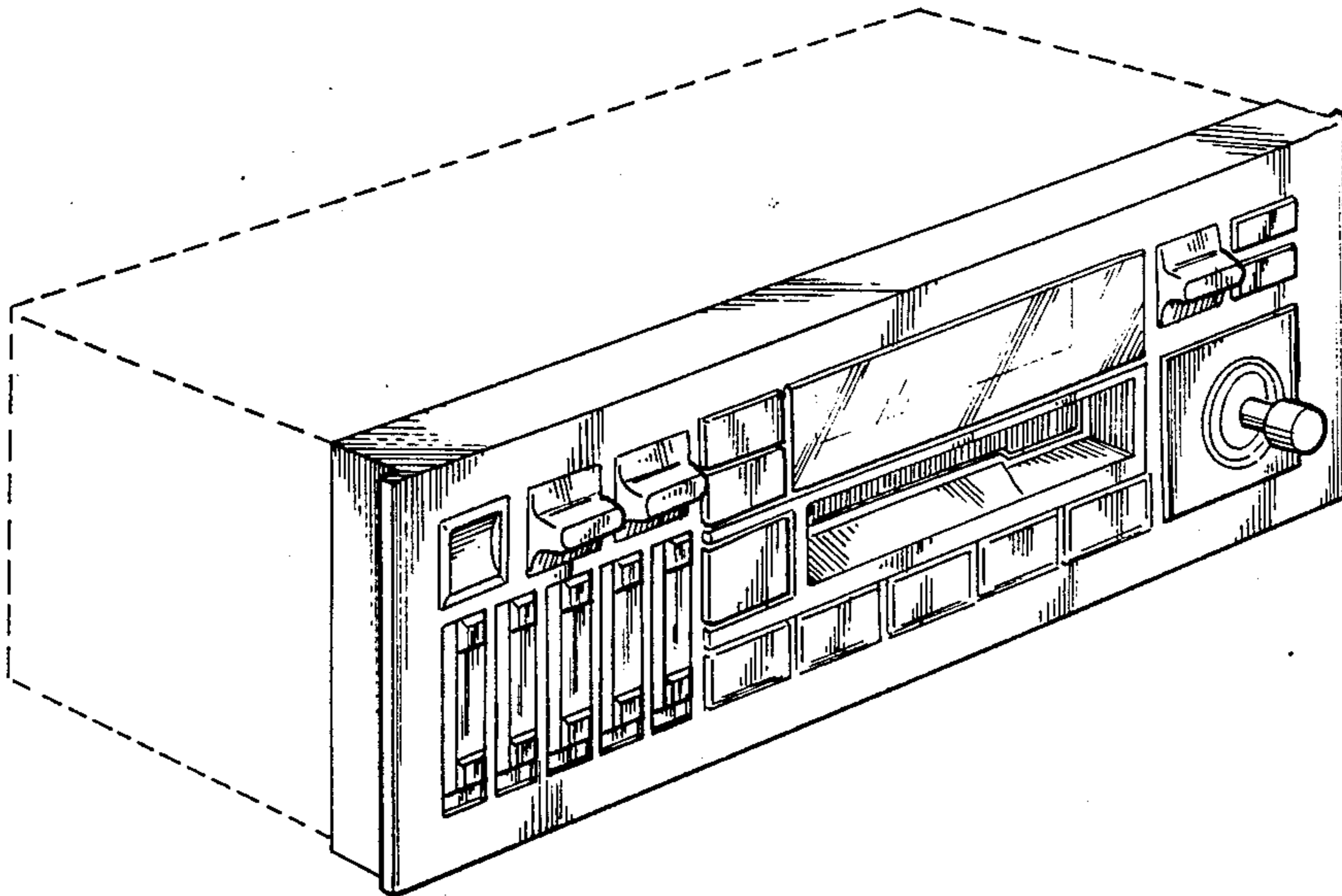
DESCRIPTION

FIG. 1 is a top, front and left side perspective view of a control panel for a combined vehicular radio receiver, cassette player, digital clock and graphic equalizer showing our new design;

FIG. 2 is a front elevational view thereof; and

FIG. 3 is a right side elevational view thereof.

The broken line showing is for illustrative purposes only and forms no part of the claimed design.



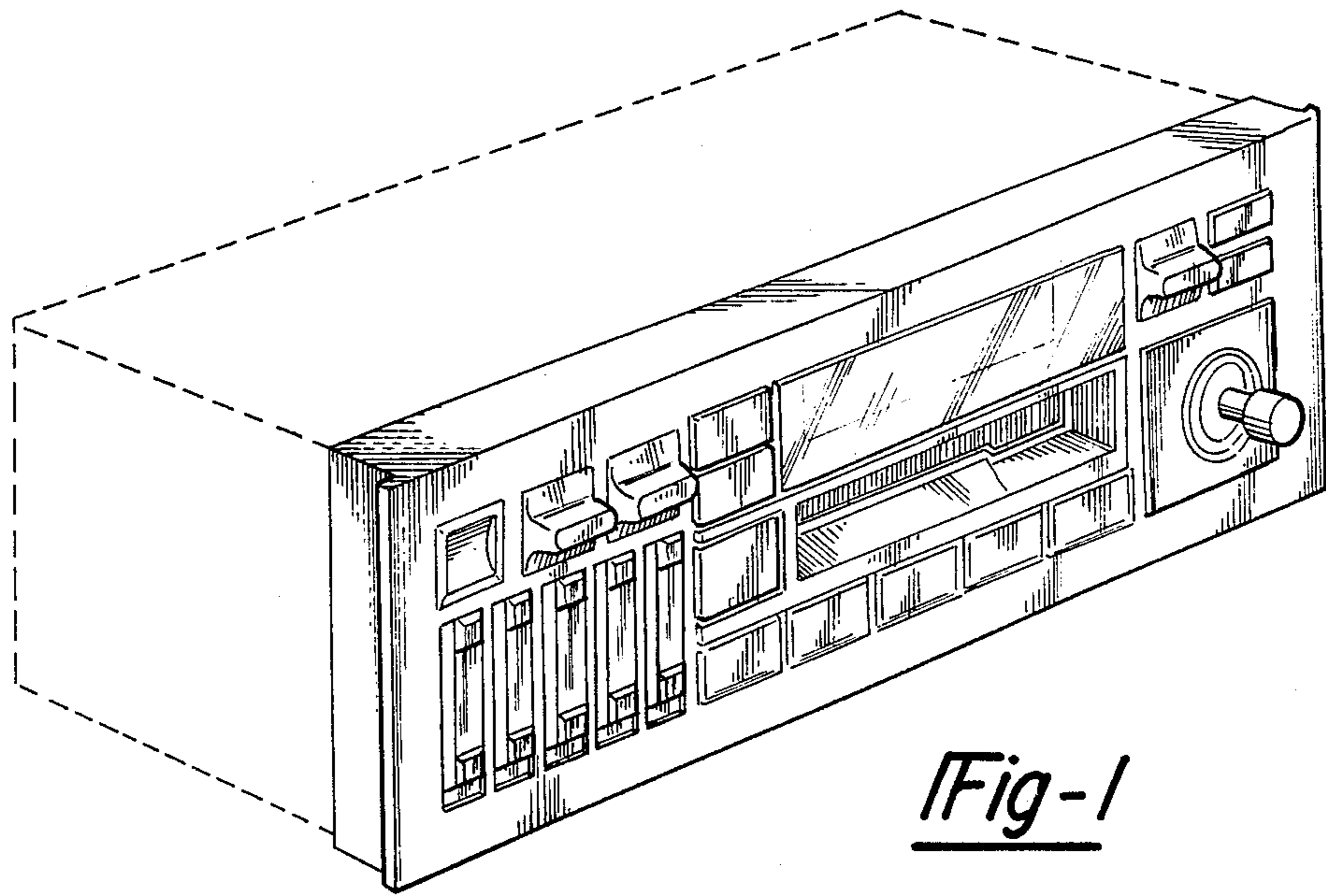


Fig-1

Fig-2

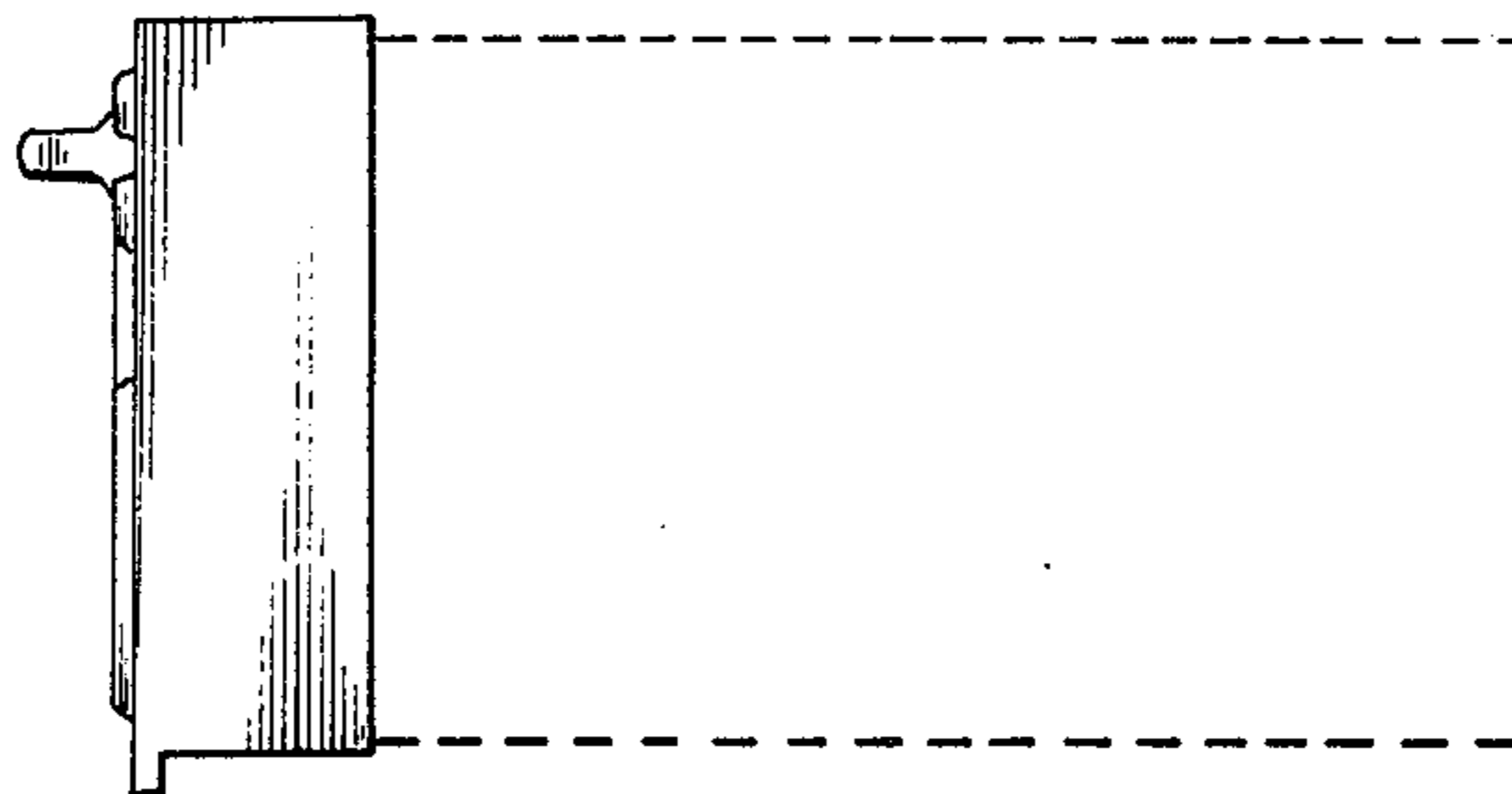
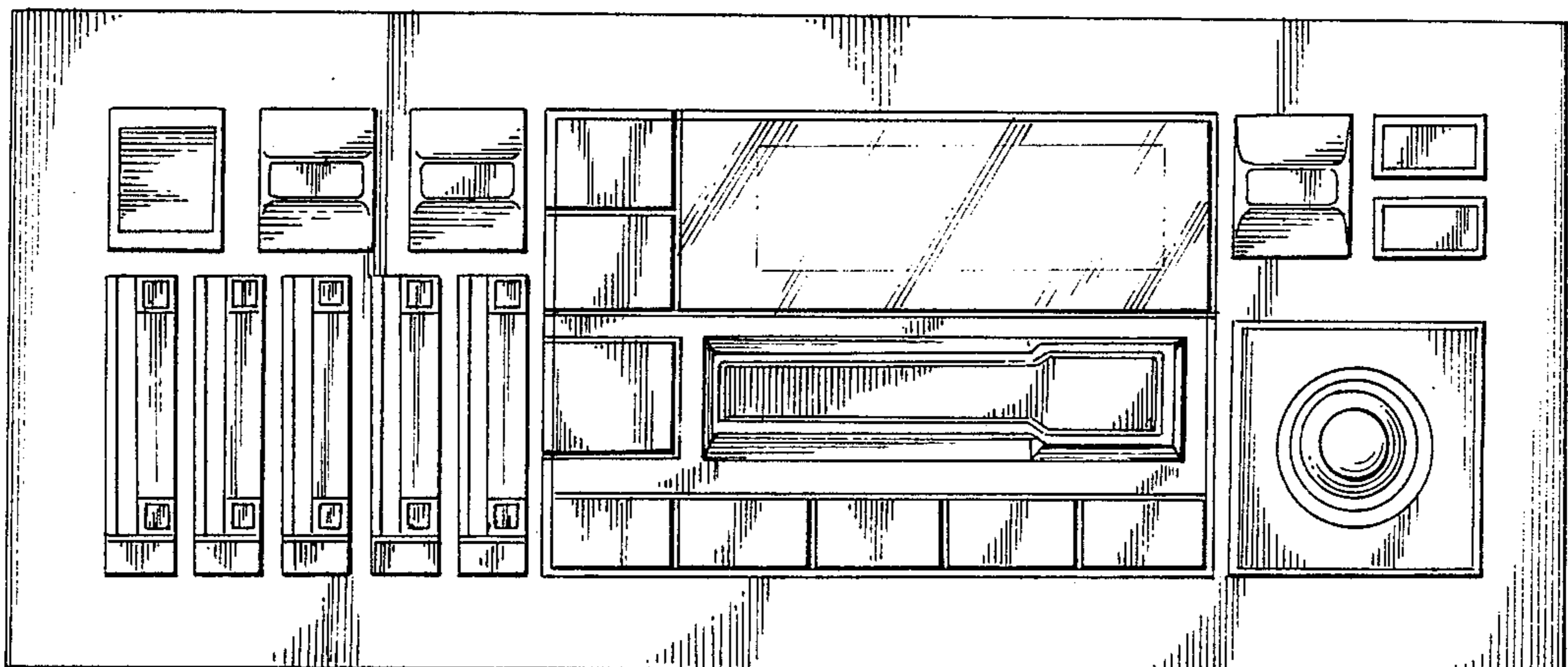


Fig-3