

[54] **CONTROL PANEL FOR A COMPACT DISK PLAYER**

[75] **Inventors: Michael G. Moore, Rochester; Kurt M. Straub, Livonia; Ronald Mills, Birmingham, all of Mich.**

[73] **Assignee: Chrysler Corporation, Highland Park, Mich.**

[**] **Term: 14 Years**

[21] **Appl. No.: 27,966**

[22] **Filed: Mar. 19, 1987**

[52] **U.S. Cl. D14/258**

[58] **Field of Search D14/124, 156-172, D14/188-198, 217, 257-258, 260, 265, 299; 455/344-346, 350, 351**

[56] **References Cited**

U.S. PATENT DOCUMENTS

- D. 266,508 10/1982 Yamamoto et al. D14/198
- D. 284,369 6/1986 Nakamura et al. D14/157

D. 301,579 6/1989 van de Ven D14/157

OTHER PUBLICATIONS

Popular Science; Jan. 1987; p. 54; bottom-Pioneer Model DEX-77.

Boating; Jan. 1987; p. 98; top-Kenwood Compact Disc Player.

Audio; Aug. 1986; p. 13; Ford JBL Audio Systems.

Primary Examiner—Theodore M. Shooman

Attorney, Agent, or Firm—Wendell K. Fredericks

[57] **CLAIM**

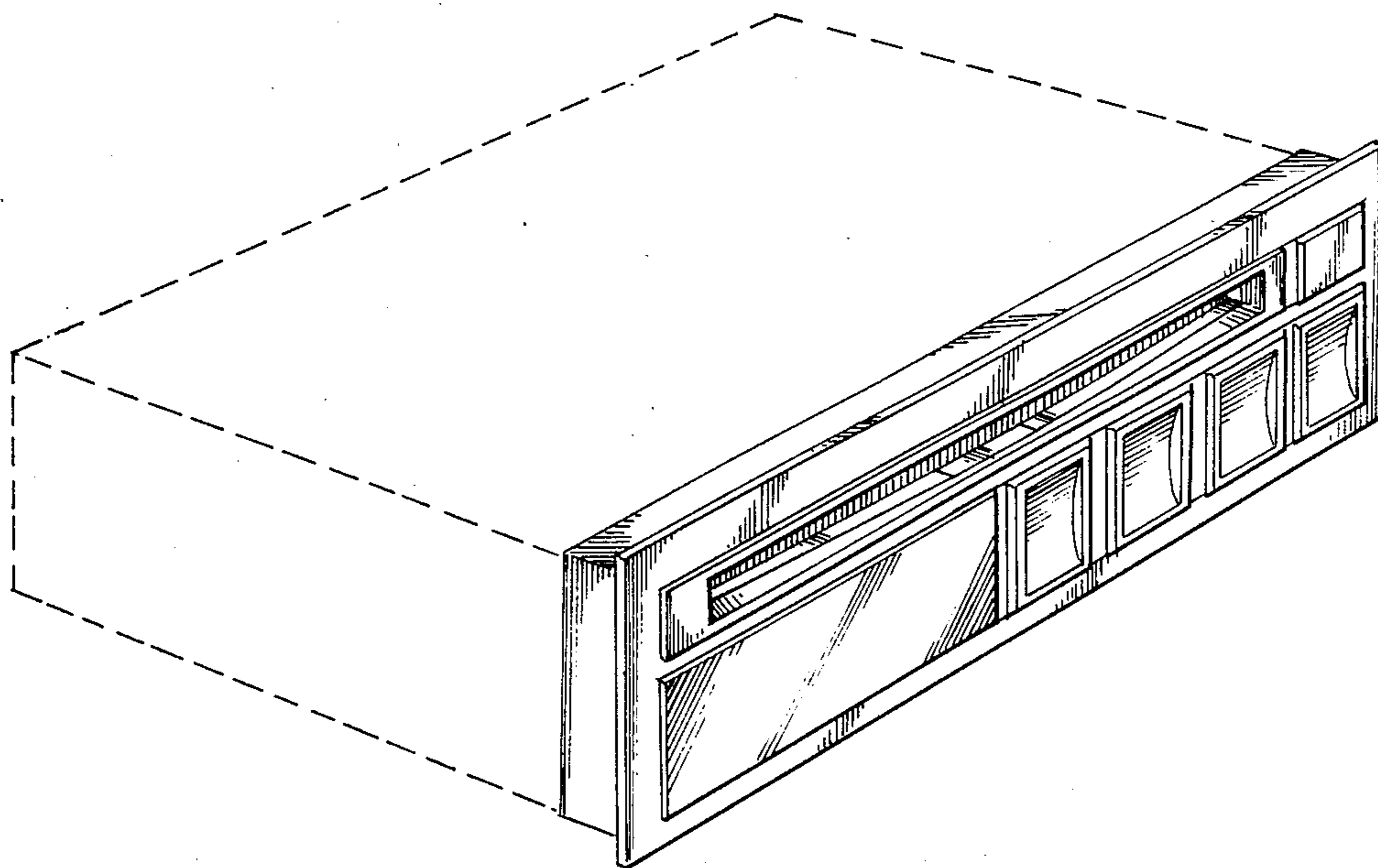
The ornamental design for a control panel for a compact disk player, as shown and described.

DESCRIPTION

FIG. 1 is a top, front and left side perspective view of a control panel for a compact disk player showing our new design;

FIG. 2 is a front elevational view thereof; and FIG. 3 is a right side elevational view thereof.

The broken line showing is for illustrative purposes only and forms no part of the claimed design.



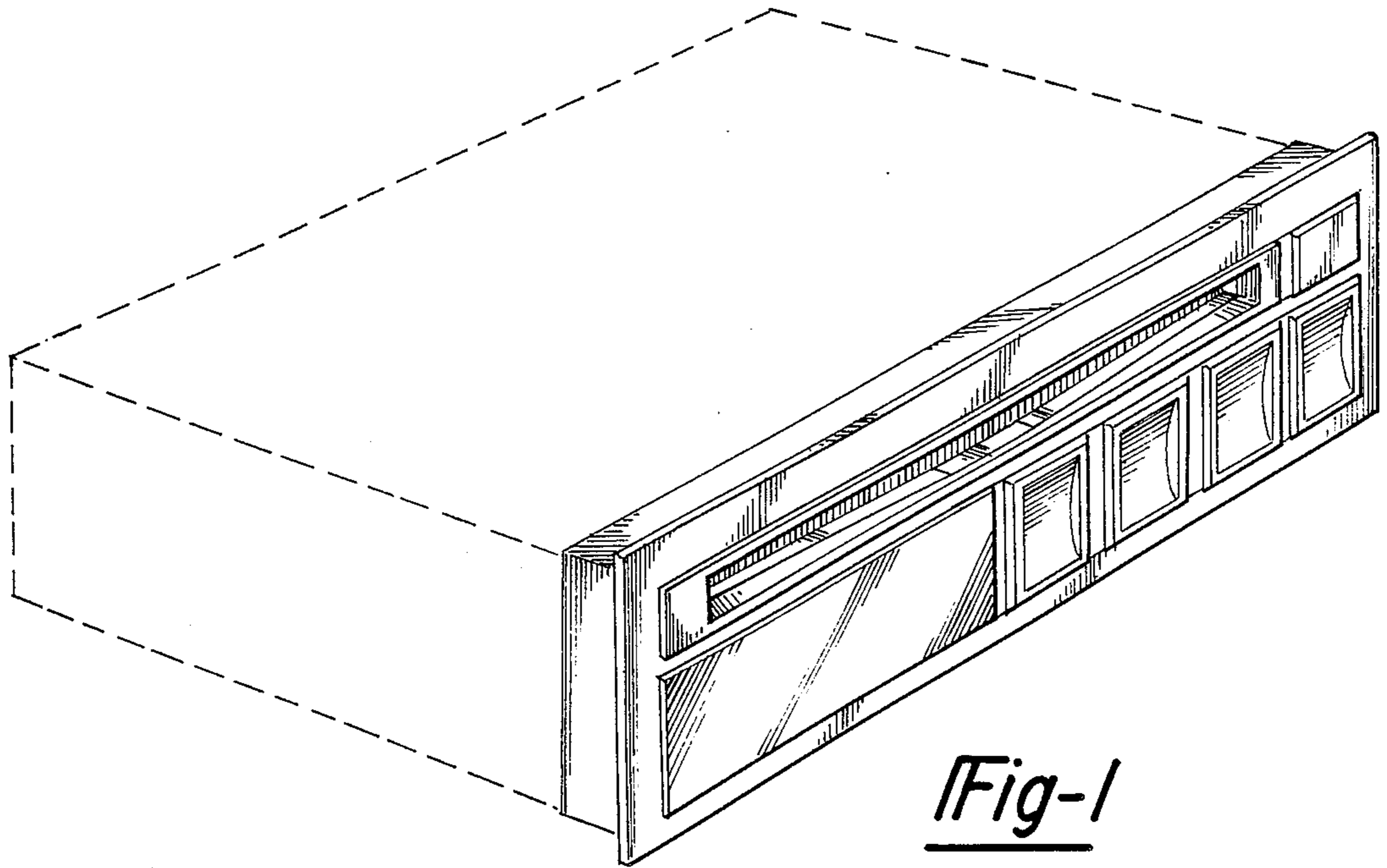


Fig-1

Fig-2

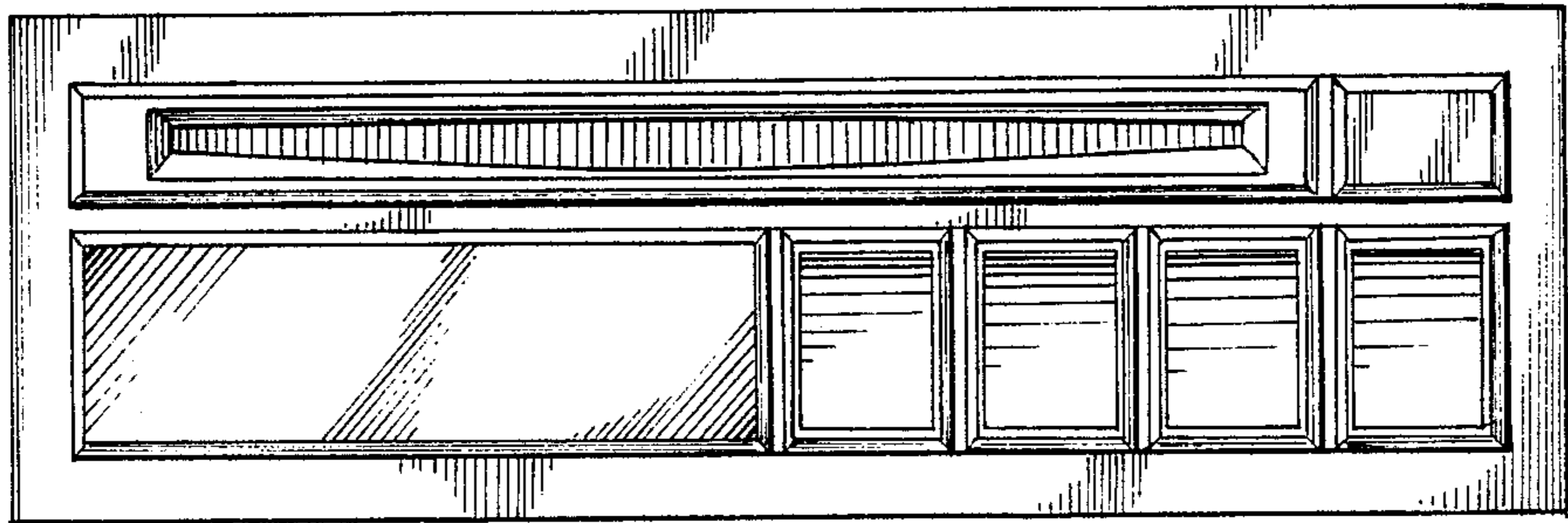


Fig-3

