

United States Patent [19]

Sakamoto et al.

[11] Patent Number: Des. 308,376

[45] Date of Patent: ** Jun. 5, 1990

[54] TELEVISION SET

[75] Inventors: Harumi Sakamoto; Manabu Hokazono, both of Osaka, Japan

[73] Assignee: Sharp Corporation, Osaka, Japan

[**] Term: 14 Years

[21] Appl. No.: 203,056

[22] Filed: Jun. 6, 1988

[30] Foreign Application Priority Data

Dec. 11, 1987 [JP] Japan 62-50831

[52] U.S. Cl. D14/126

[58] Field of Search D14/125-134,
D14/113, 299; 358/254, 255; 312/7.2

[56] References Cited

U.S. PATENT DOCUMENTS

D. 219,887 2/1971 Horzick D14/126

D. 265,651 8/1982 Brion D14/126

D. 265,825 8/1982 Brion D14/126

D. 298,247 10/1988 Kogane et al. D14/126

D. 298,323 11/1988 Ariyoshi et al. D14/126

OTHER PUBLICATIONS

HFD; 9/7/87; p. 85; top right-Panasonic Model CTJ-3170R31 TV.

Primary Examiner—Bernard Ansher

Assistant Examiner—Theodore M. Shooman

Attorney, Agent, or Firm—Flehr, Hohbach, Test,

Albritton & Herbert

[57] CLAIM

The ornamental design for a television set, as shown and described.

DESCRIPTION

FIG. 1 is a front elevational view of a television set showing our new design;

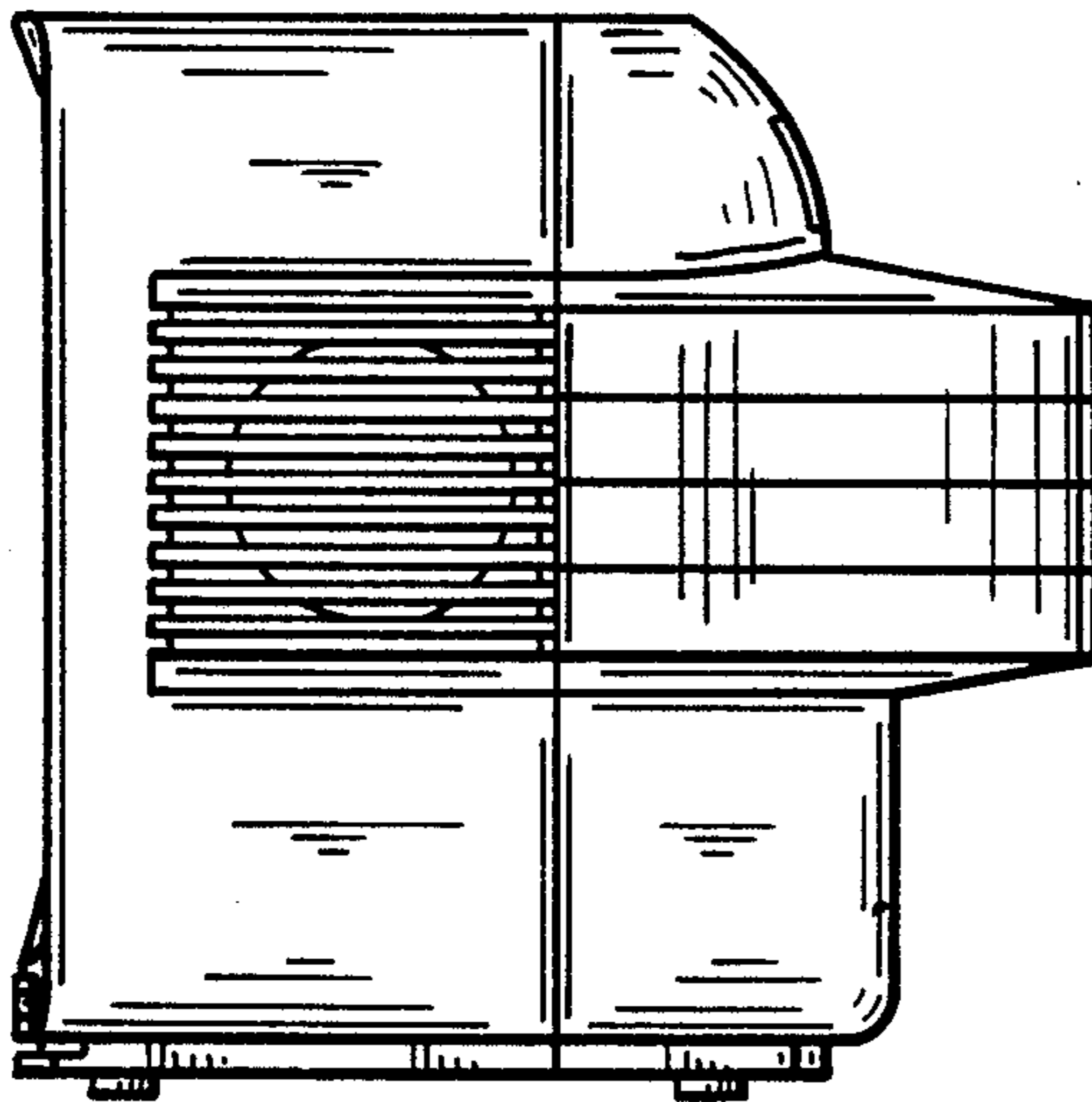
FIG. 2 is a rear elevational view thereof;

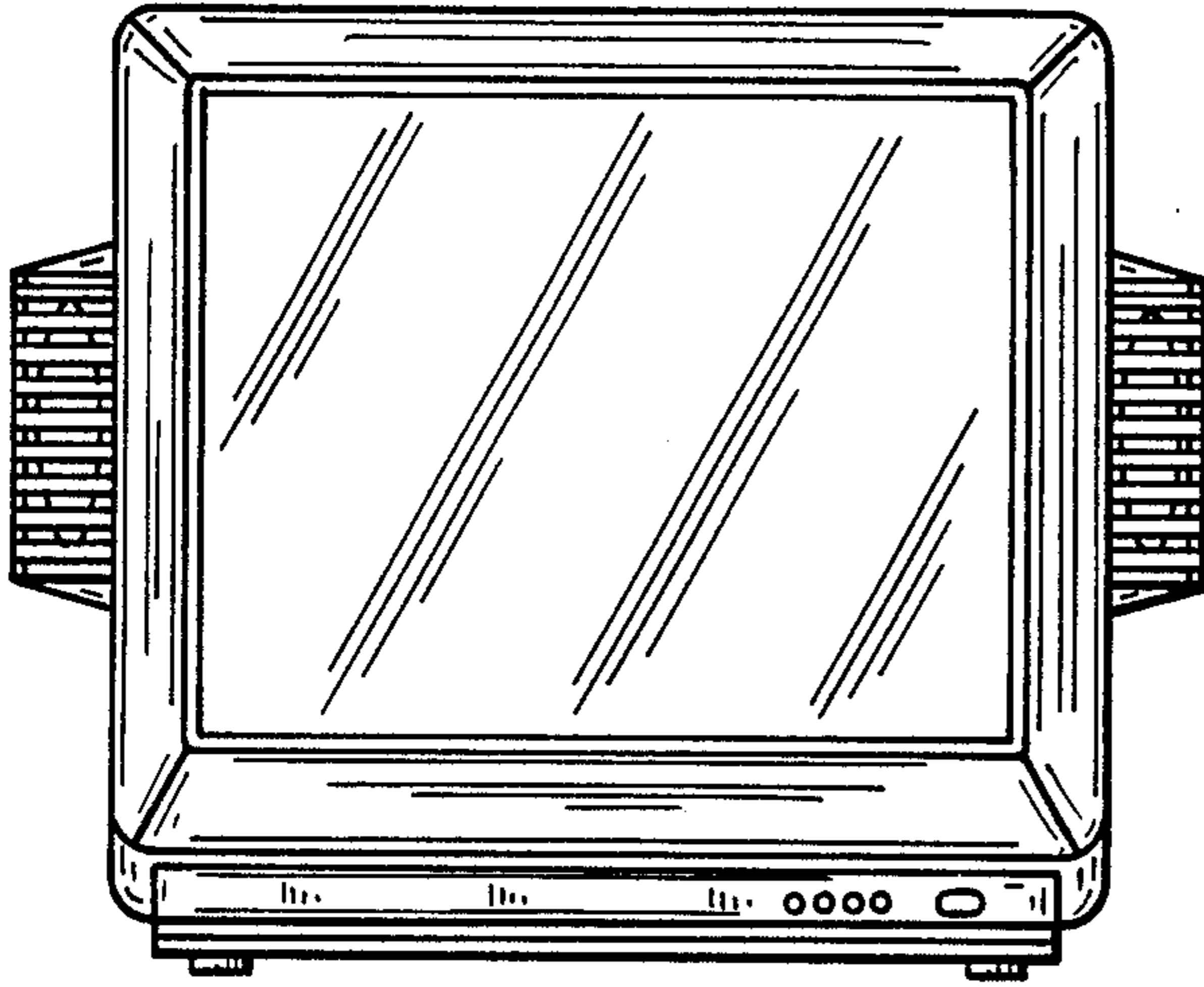
FIG. 3 is a top plan view thereof;

FIG. 4 is a bottom plan view thereof;

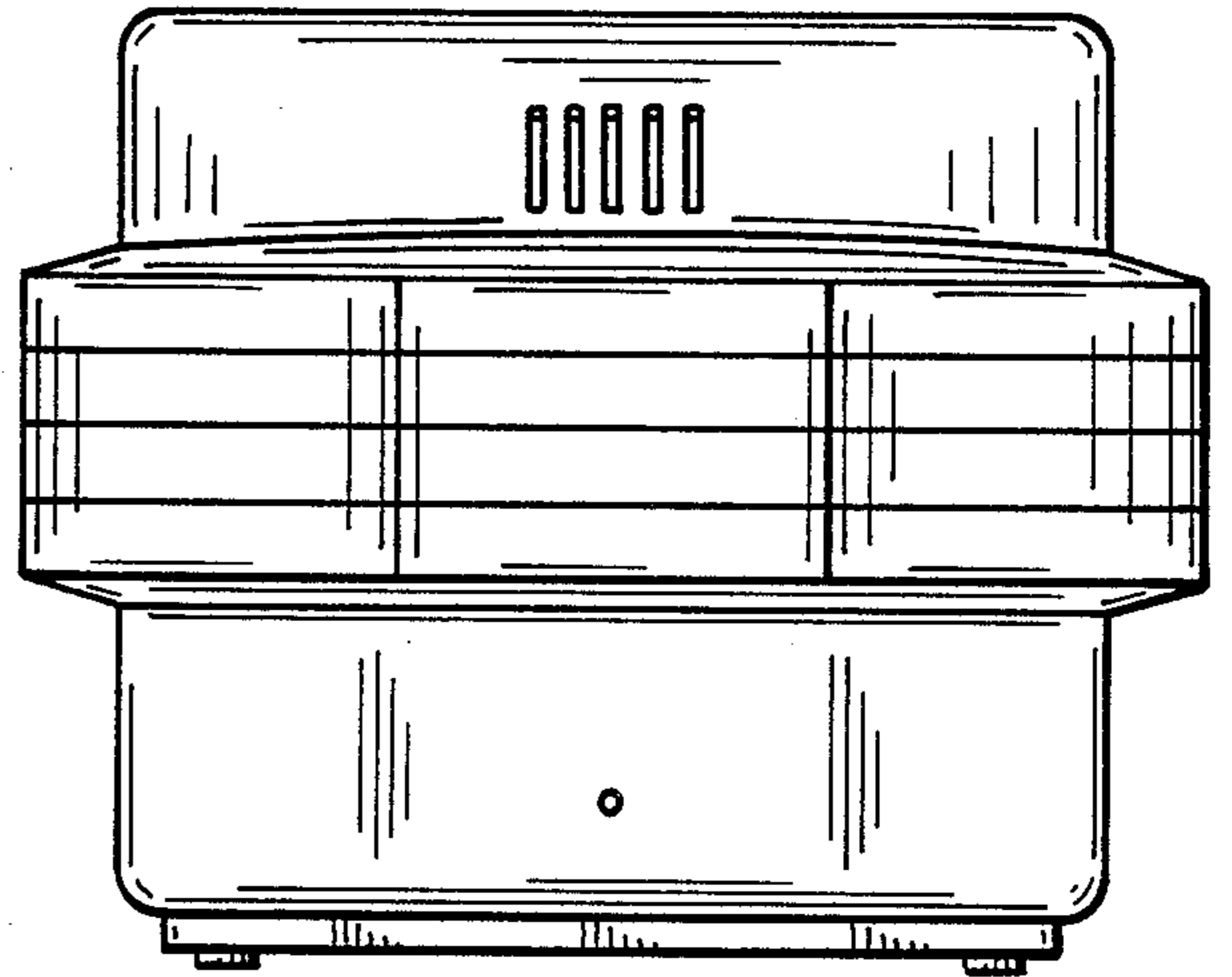
FIG. 5 is a right side elevational view thereof; and

FIG. 6 is a left side elevational view thereof.

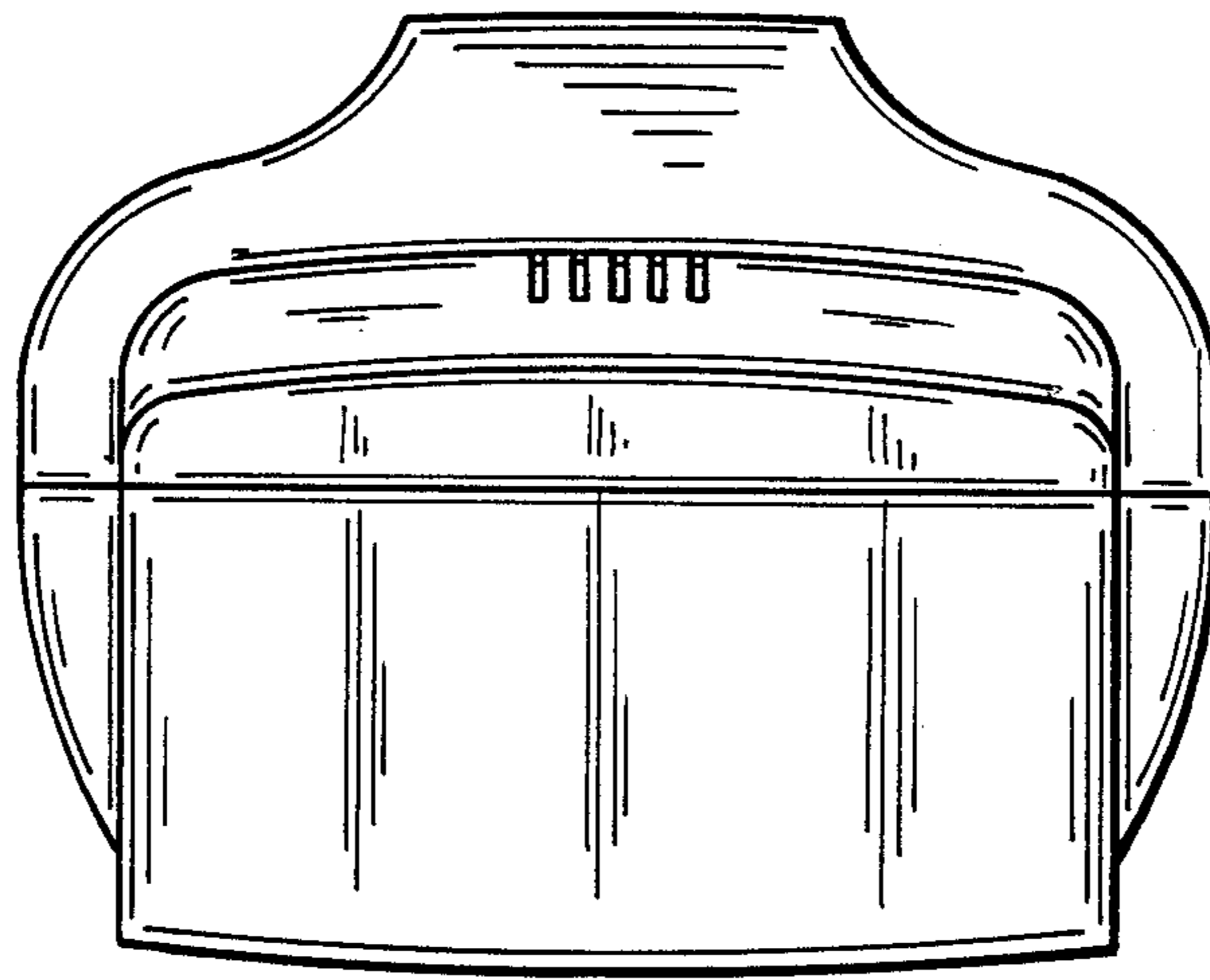




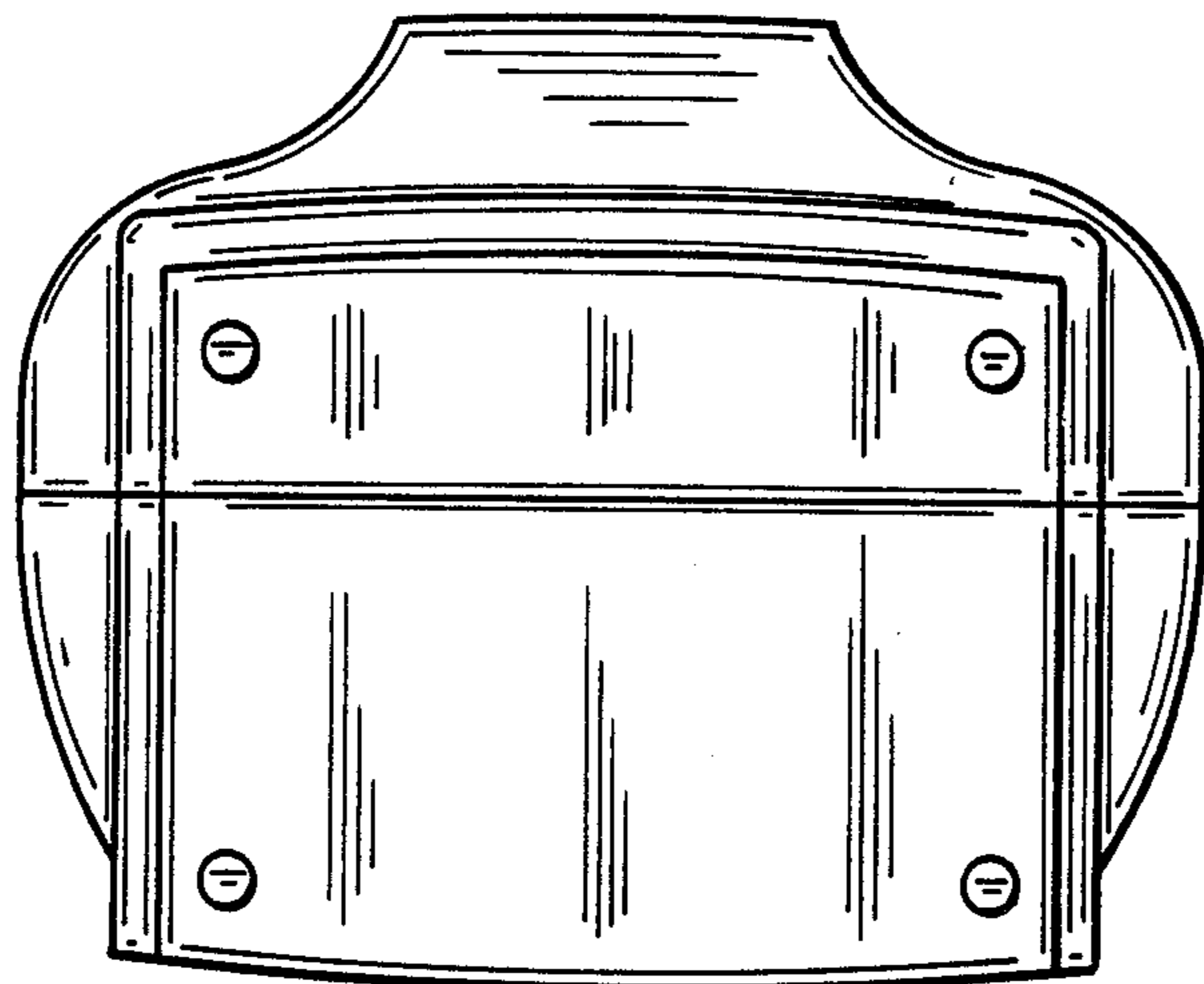
FIG_1



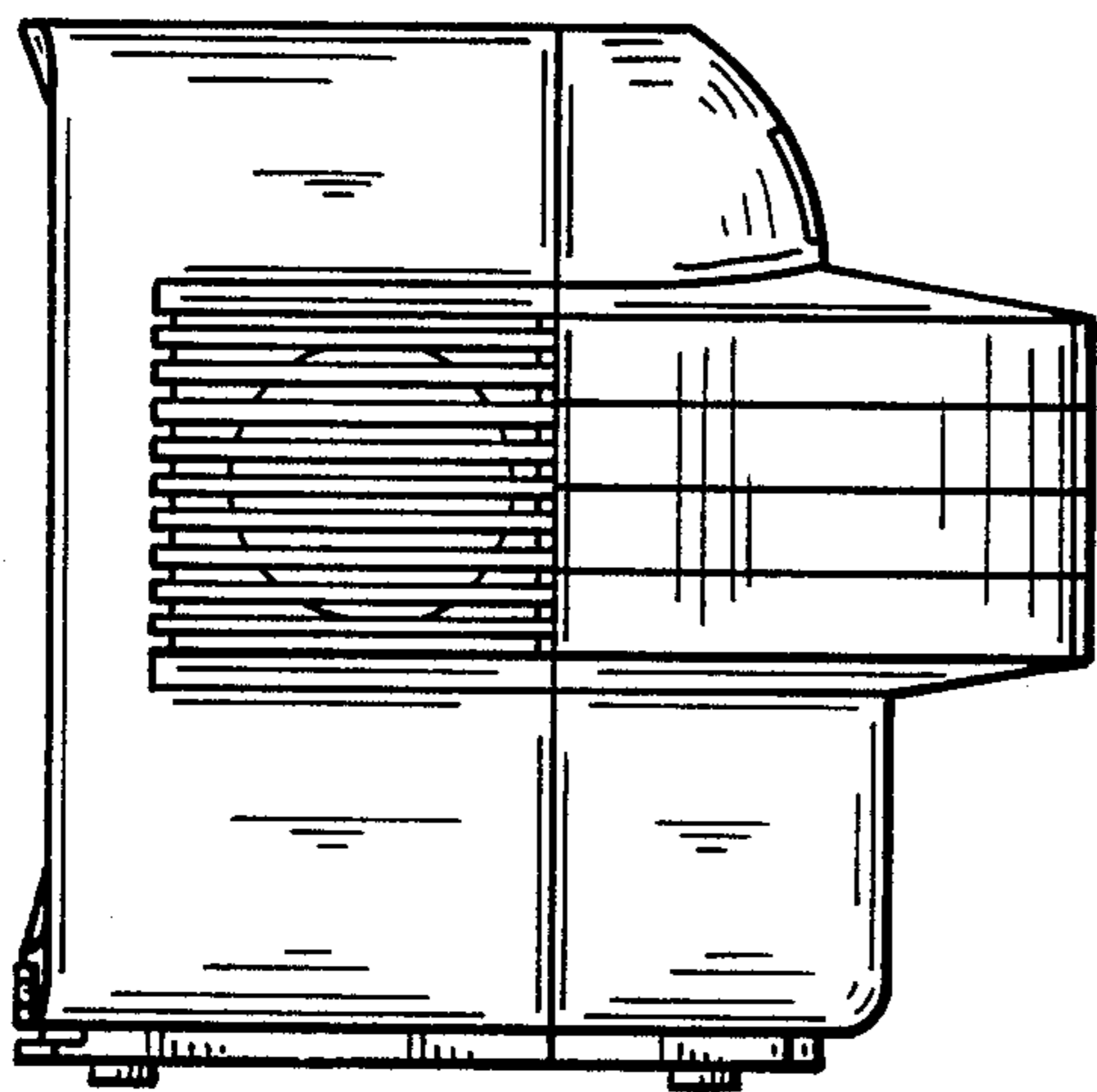
FIG_2



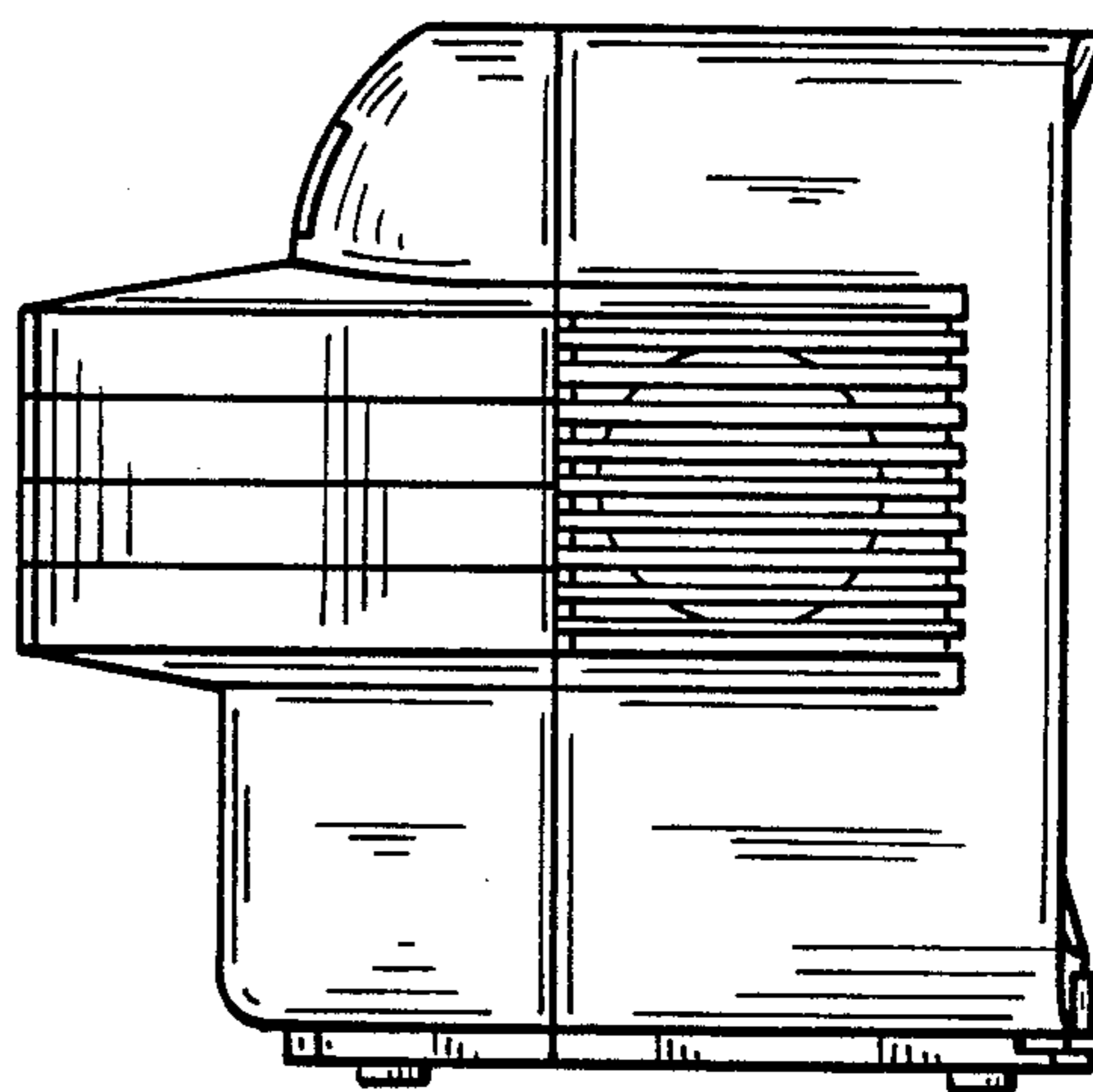
FIG_3



FIG_4



FIG_5



FIG_6