

[54] TELEVISION SET

[75] Inventor: Osamu Shimizu, Osaka, Japan

[73] Assignee: Sharp Corporation, Osaka, Japan

[**] Term: 14 Years

[21] Appl. No.: 271,074

[22] Filed: Nov. 14, 1988

[30] Foreign Application Priority Data

Jun. 2, 1988 [JP] Japan 63-21771
 [52] U.S. Cl. D14/126
 [58] Field of Search D14/125-134,
 D14/113, 299; 358/254, 255; 312/7.2

[56] References Cited

U.S. PATENT DOCUMENTS

D. 281,244	11/1985	Ohtsu	D14/126
D. 289,047	3/1987	Suzuki et al.	D14/132
D. 294,699	3/1988	Ohzu	D14/126
D. 294,700	3/1988	Sakuta	D14/126
D. 300,633	4/1989	Makino et al.	D14/131
4,639,225	1/1987	Washizuka	358/254 X

OTHER PUBLICATIONS

Popular Science; Jan. 1986; p. 65; Epson LCD Color TV.

Video Review; Aug. 1987; p. 29; bottom right-Toshiba LCD TV.

HFD; 12/7/87; p. 99; top right-Sharp LCD TV.

Primary Examiner—Bernard Ansher

Assistant Examiner—Theodore M. Shooman

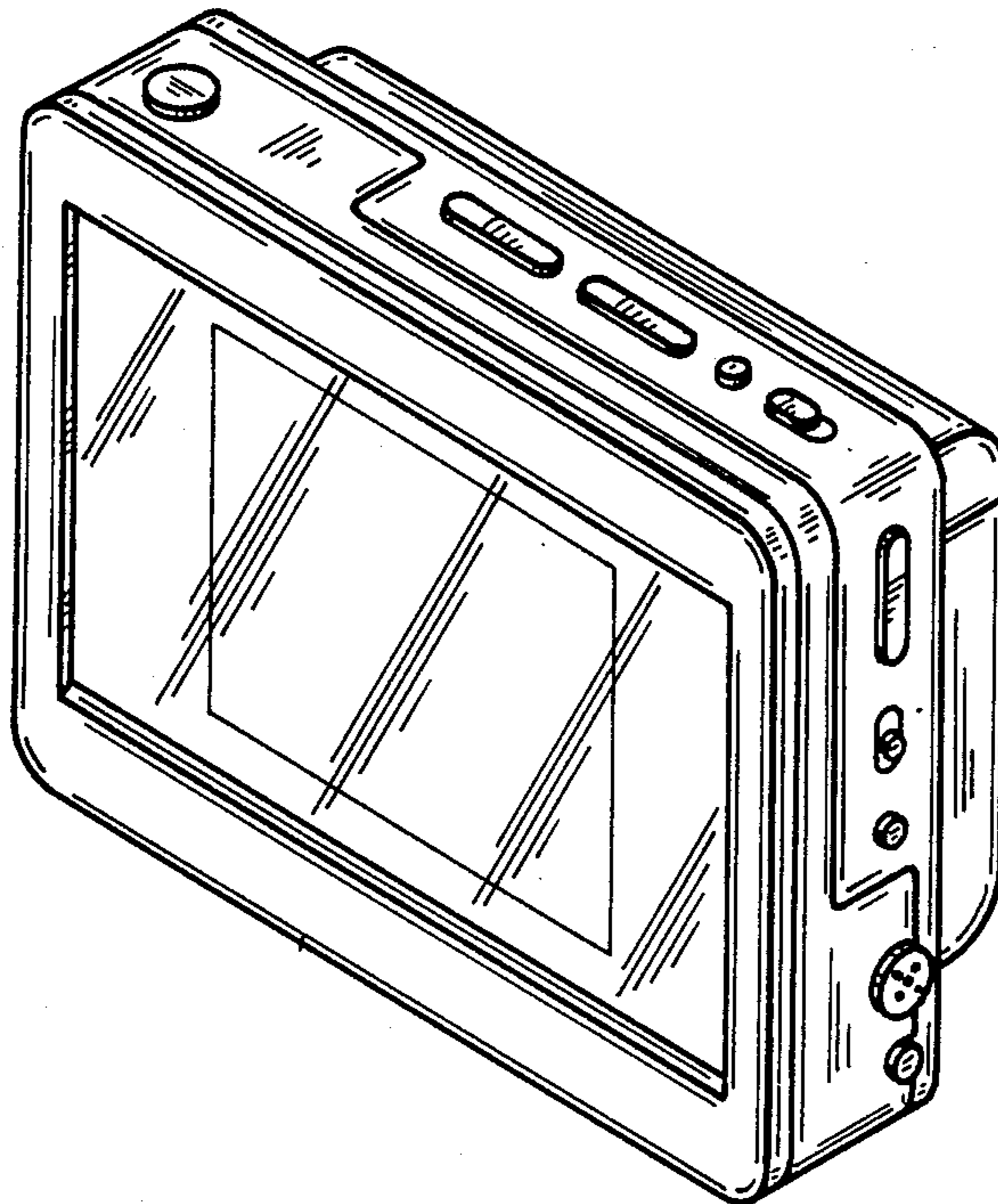
Attorney, Agent, or Firm—Flehr, Hohbach, Test, Albritton & Herbert

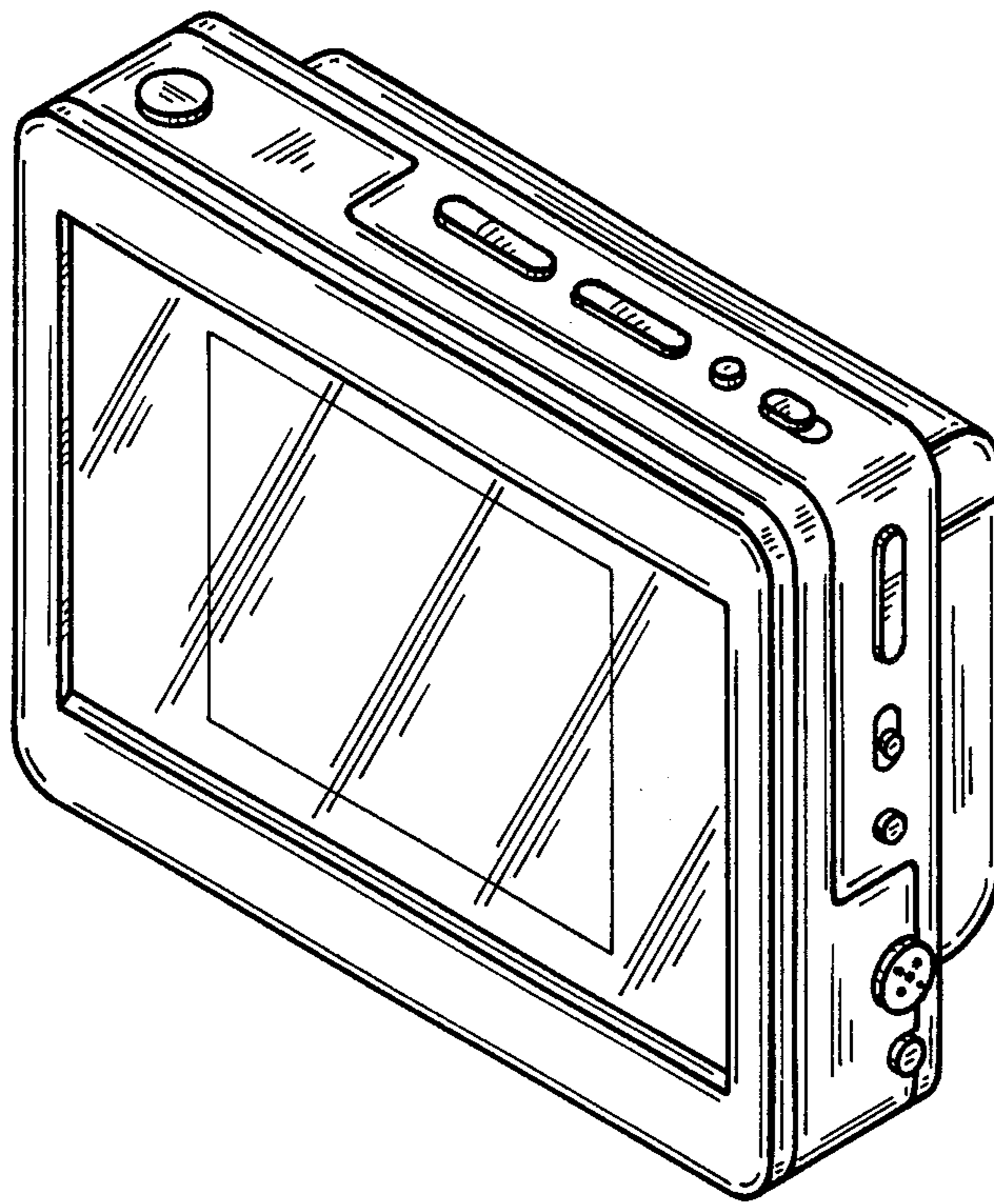
[57] CLAIM

The ornamental design for a television set, as shown and described.

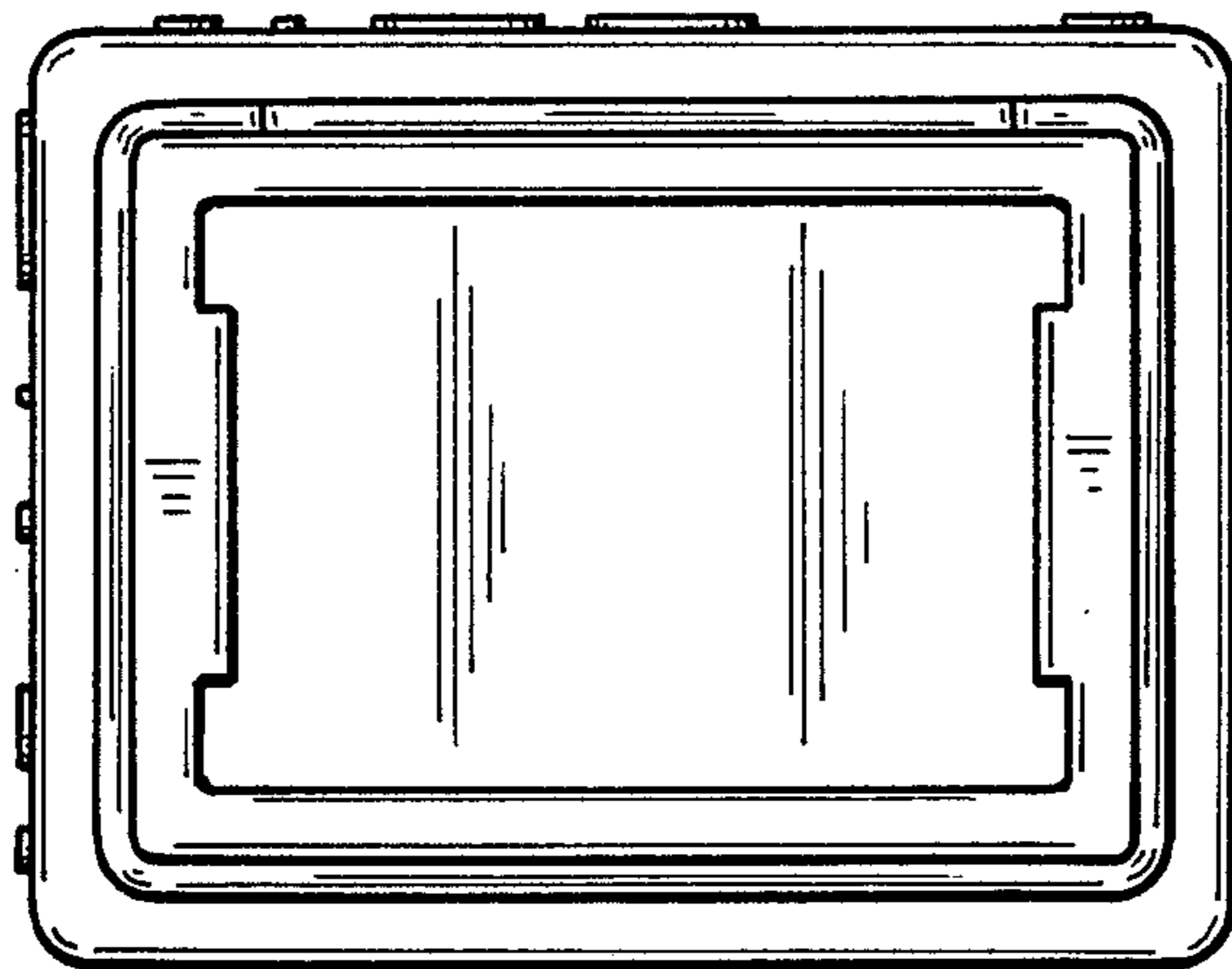
DESCRIPTION

FIG. 1 is a top, front and right side perspective view of a television set showing my new design;
 FIG. 2 is a front elevational view thereof;
 FIG. 3 is a rear elevational view thereof;
 FIG. 4 is a rear elevational view with the battery removed;
 FIG. 5 is a top plan view thereof;
 FIG. 6 is a bottom plan view thereof;
 FIG. 7 is a right side elevational view thereof;
 FIG. 8 is a right side elevational view with the battery removed; and
 FIG. 9 is a left side elevational view thereof.

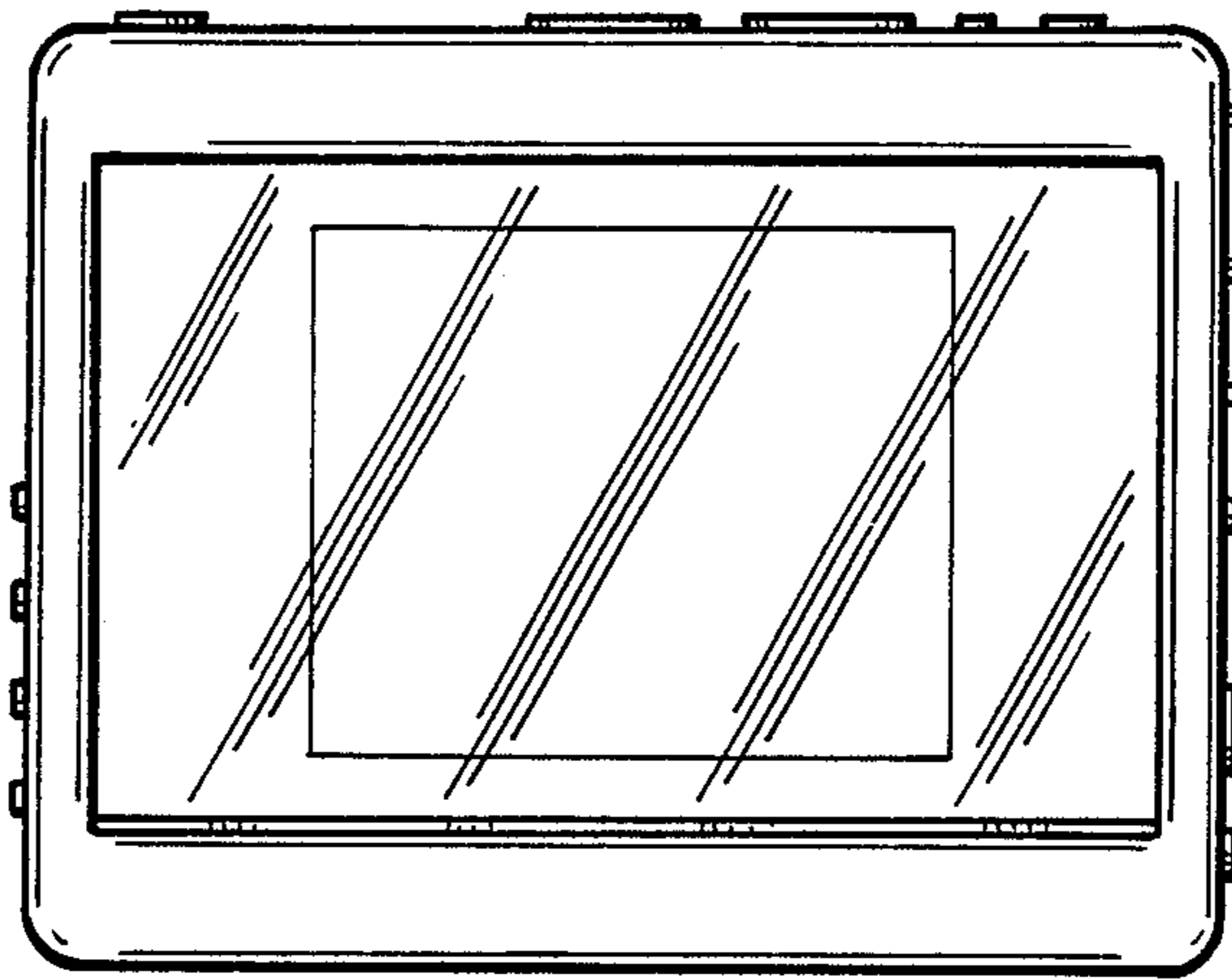




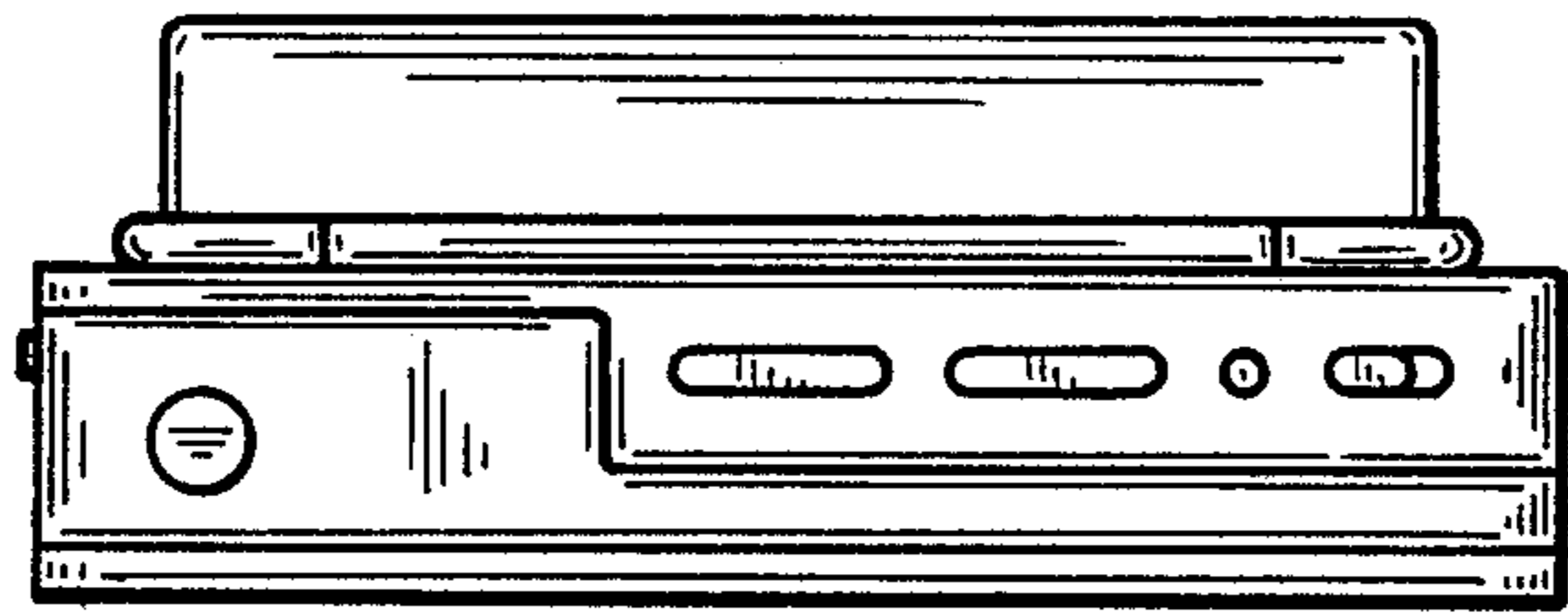
FIG_1



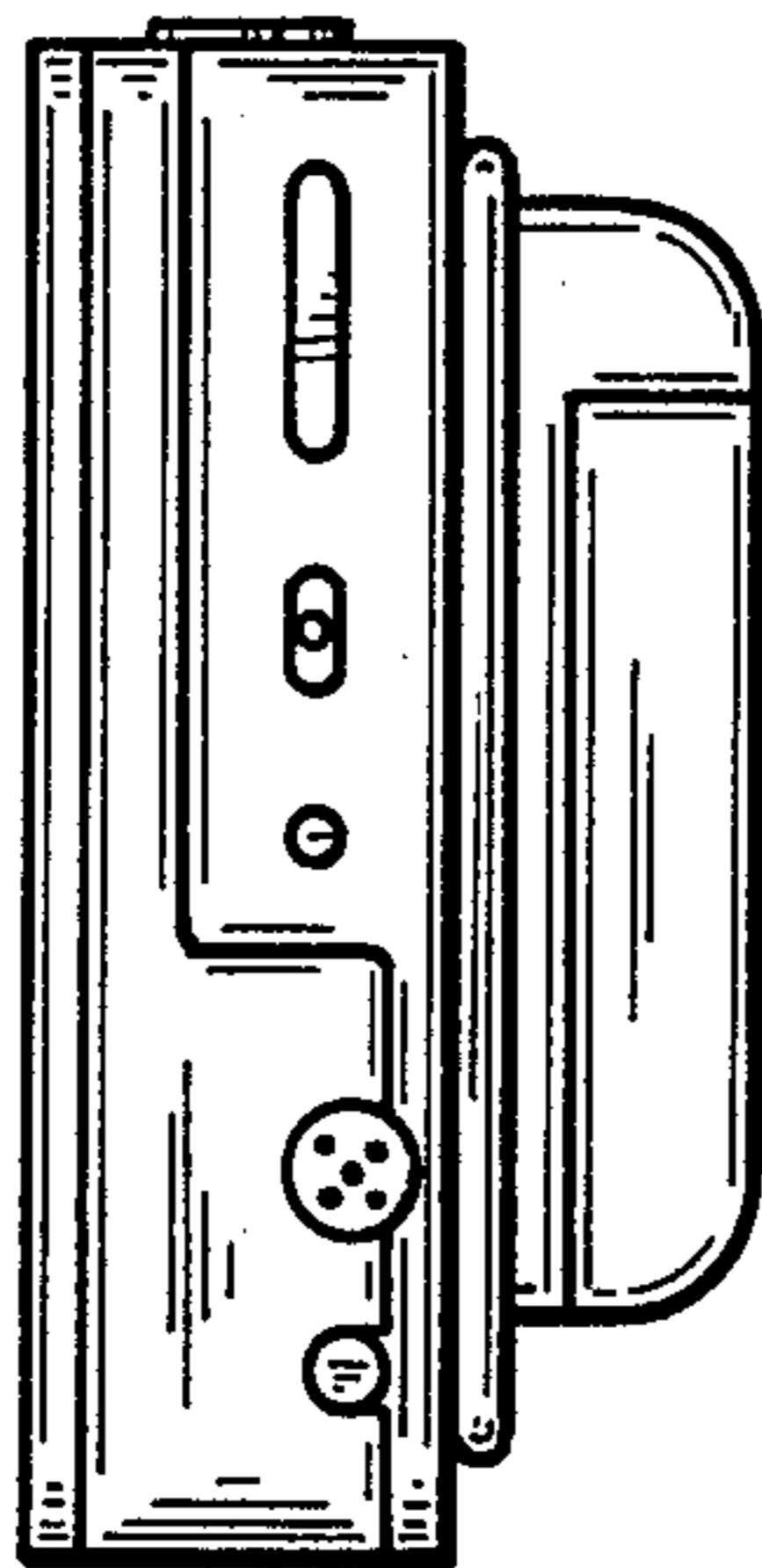
FIG_4



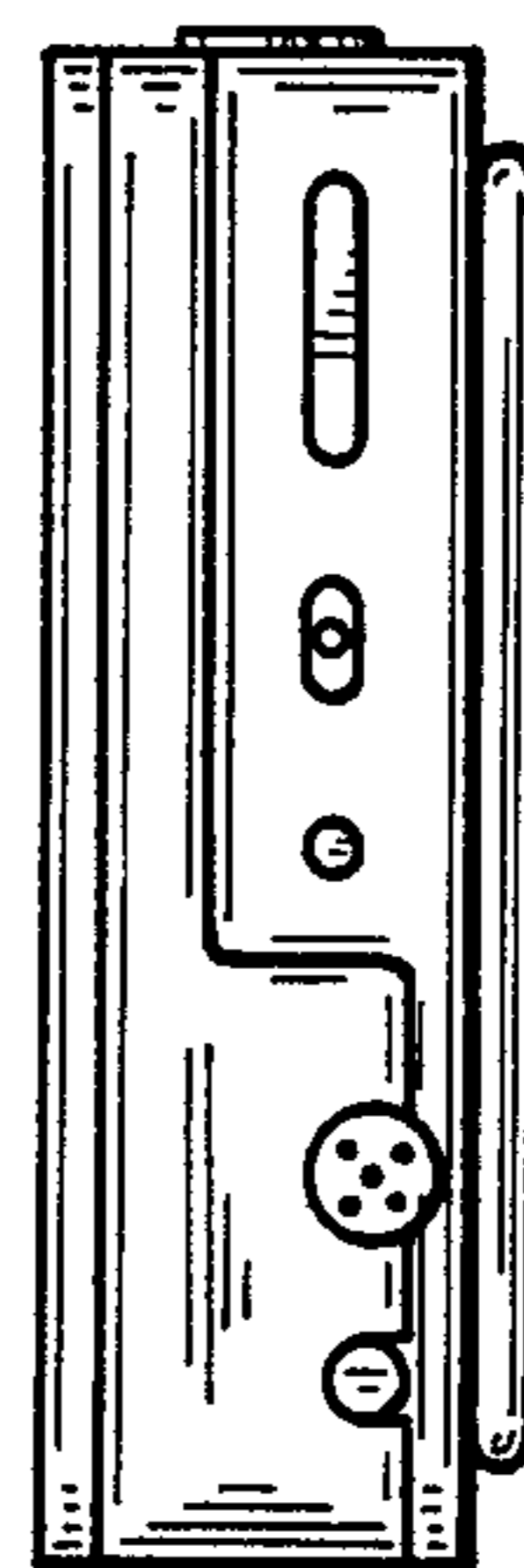
FIG_2



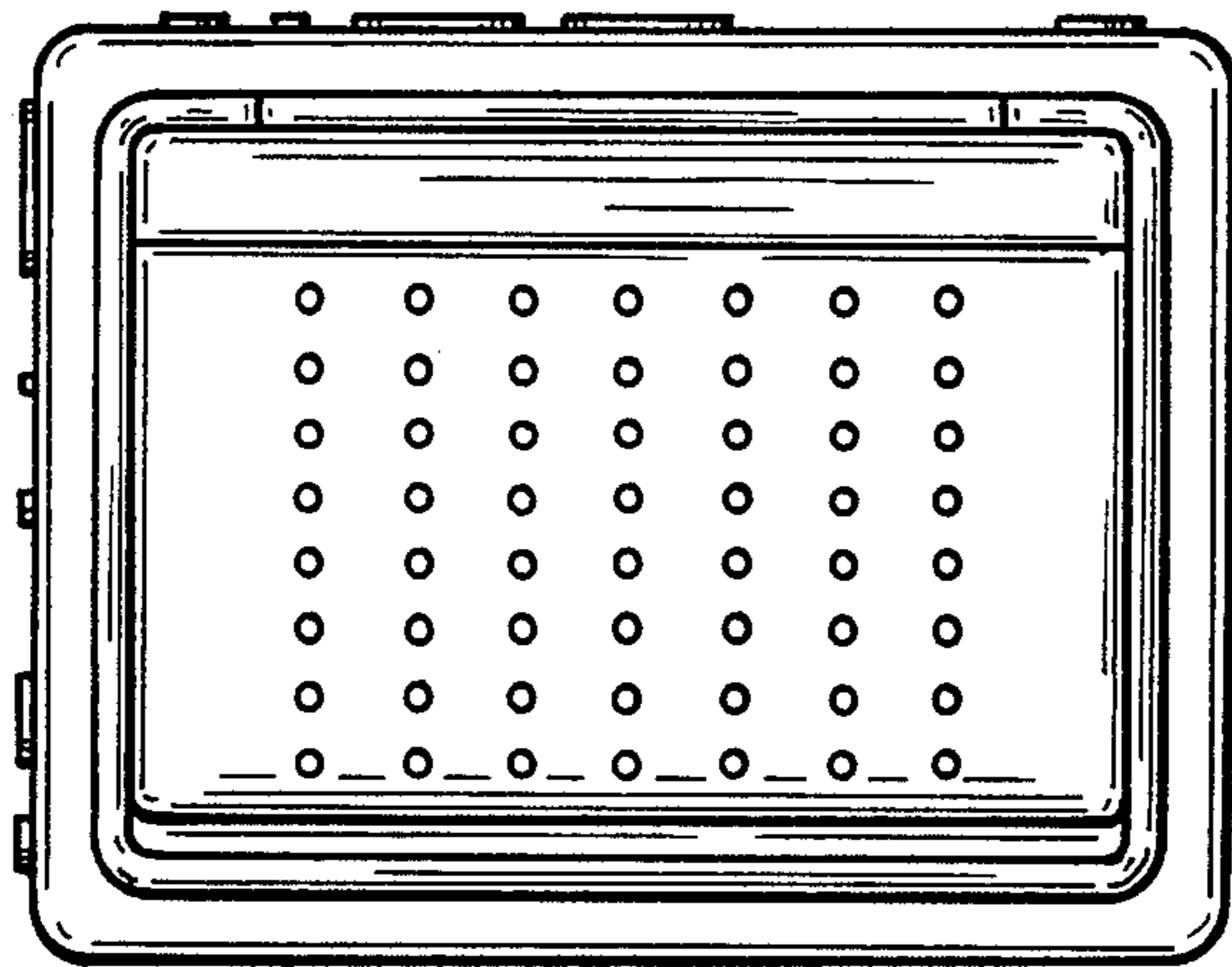
FIG_5



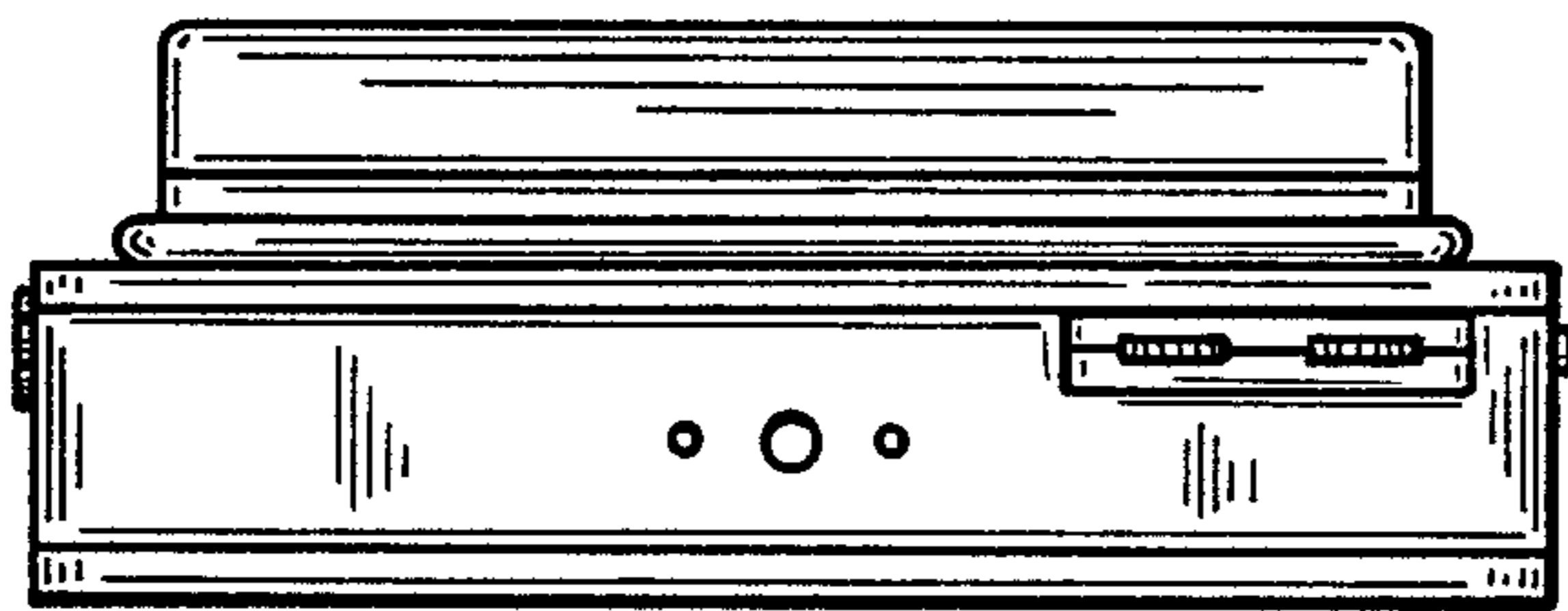
FIG_7



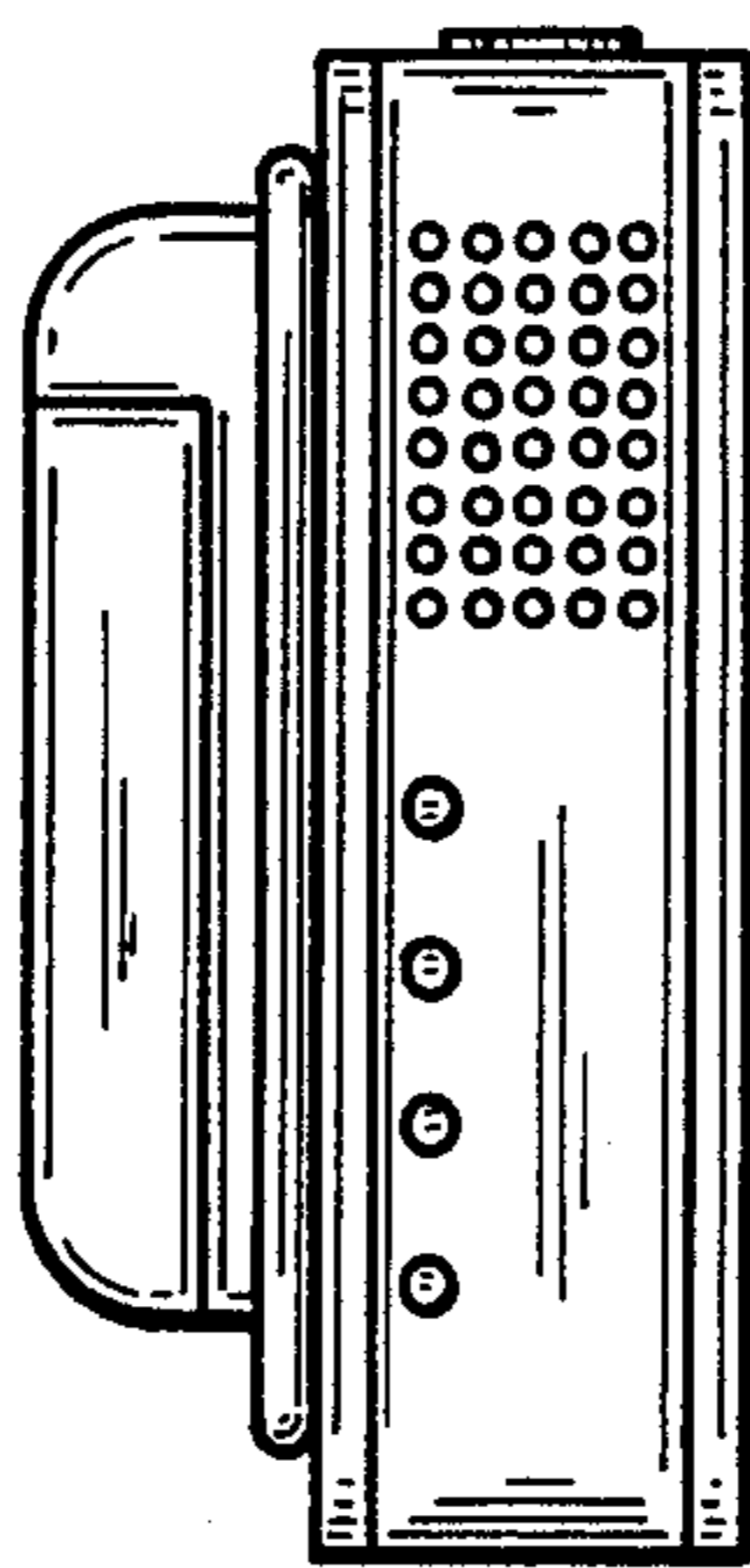
FIG_8



FIG_3



FIG_6



FIG_9