

[54] **TELEVISION RECEIVER**

[75] **Inventor: Masazumi Shiraki, Yokohama, Japan**

[73] **Assignee: Kabushiki Kaisha Toshiba, Kawasaki, Japan**

[**] **Term: 14 Years**

[21] **Appl. No.: 210,301**

[22] **Filed: Jun. 22, 1988**

[30] **Foreign Application Priority Data**

Dec. 24, 1987 [JP] Japan 62-52386
[52] **U.S. Cl. D14/126; D14/134**
[58] **Field of Search D14/125-134,
D14/113, 299; 358/254, 255; 312/7.2**

[56] **References Cited**

U.S. PATENT DOCUMENTS

D. 277,854 3/1985 Masuba D14/126
D. 298,247 10/1988 Kogane et al. D14/126
D. 298,323 11/1988 Ariyoshi et al. D14/126
D. 300,830 4/1989 Lowry D14/126 X

OTHER PUBLICATIONS

Sharp catalog of "29C-VIS" published Jul. 1987.
Sharp catalog of "25C-V20" published Jul. 1987.
Hitachi catalog of "C29-G66SR" published Nov. 1986.
HFD; 1/4/88; p. 122; top left-Emerson Model MS2700RD TV.
Video Review; Feb. 1986; p. 16; Sony VCR/TV.

Primary Examiner—Bernard Ansher
Assistant Examiner—T. M. Shooman
Attorney, Agent, or Firm—Oblon, Spivak, McClelland, Maier & Neustadt

[57] **CLAIM**

The ornamental design for a television receiver, as shown and described.

DESCRIPTION

FIG. 1 is a front and right side perspective view of a television receiver showing my new design;
FIG. 2 is a front elevational view thereof;
FIG. 3 is a right side elevational view thereof;
FIG. 4 is a top plan view thereof;
FIG. 5 is a rear elevational view thereof;
FIG. 6 is a left side elevational view thereof;
FIG. 7 is a bottom plan view thereof; and
FIG. 8 is a front elevational view thereof with the control panel shown open.

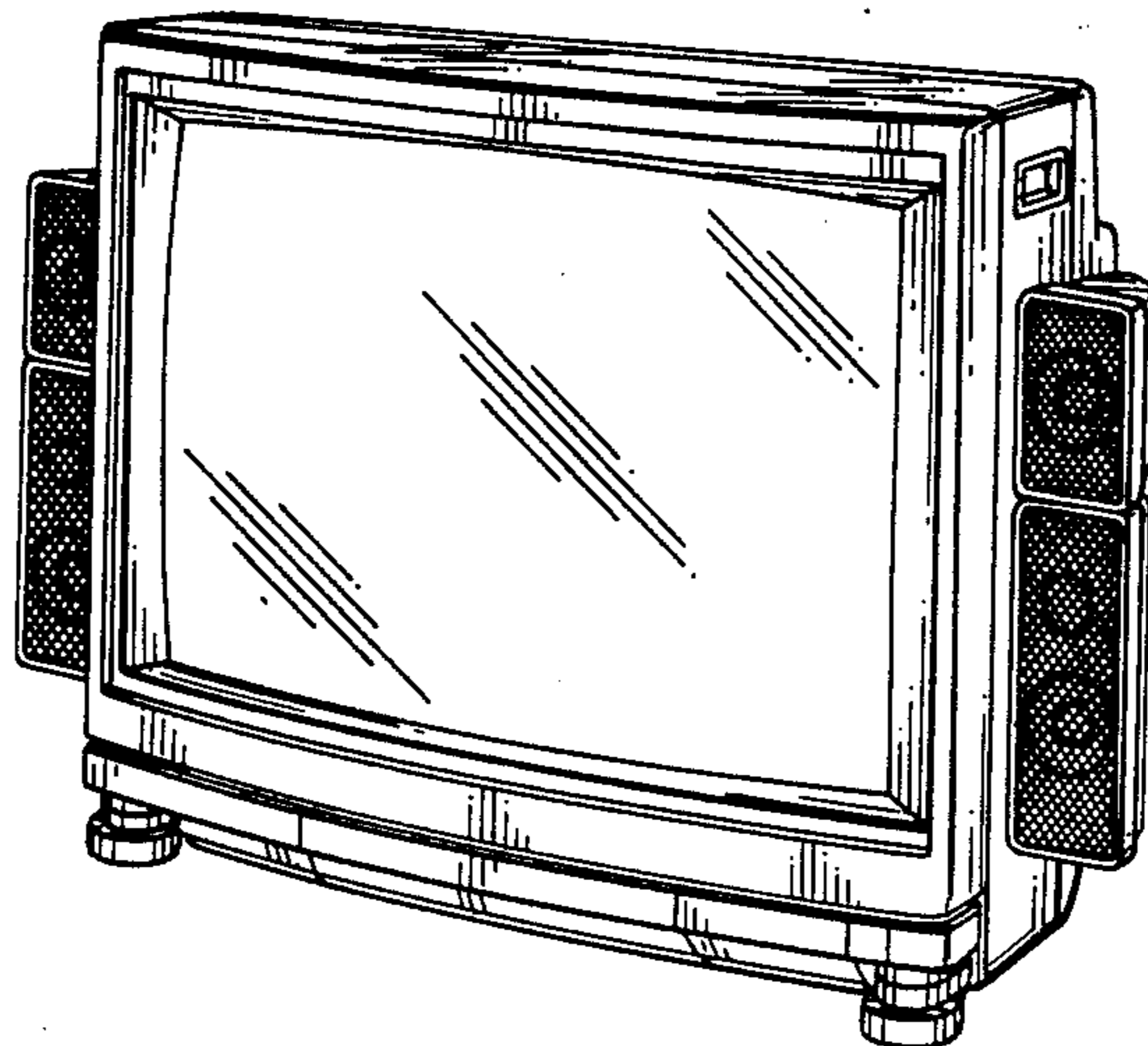


FIG. 1

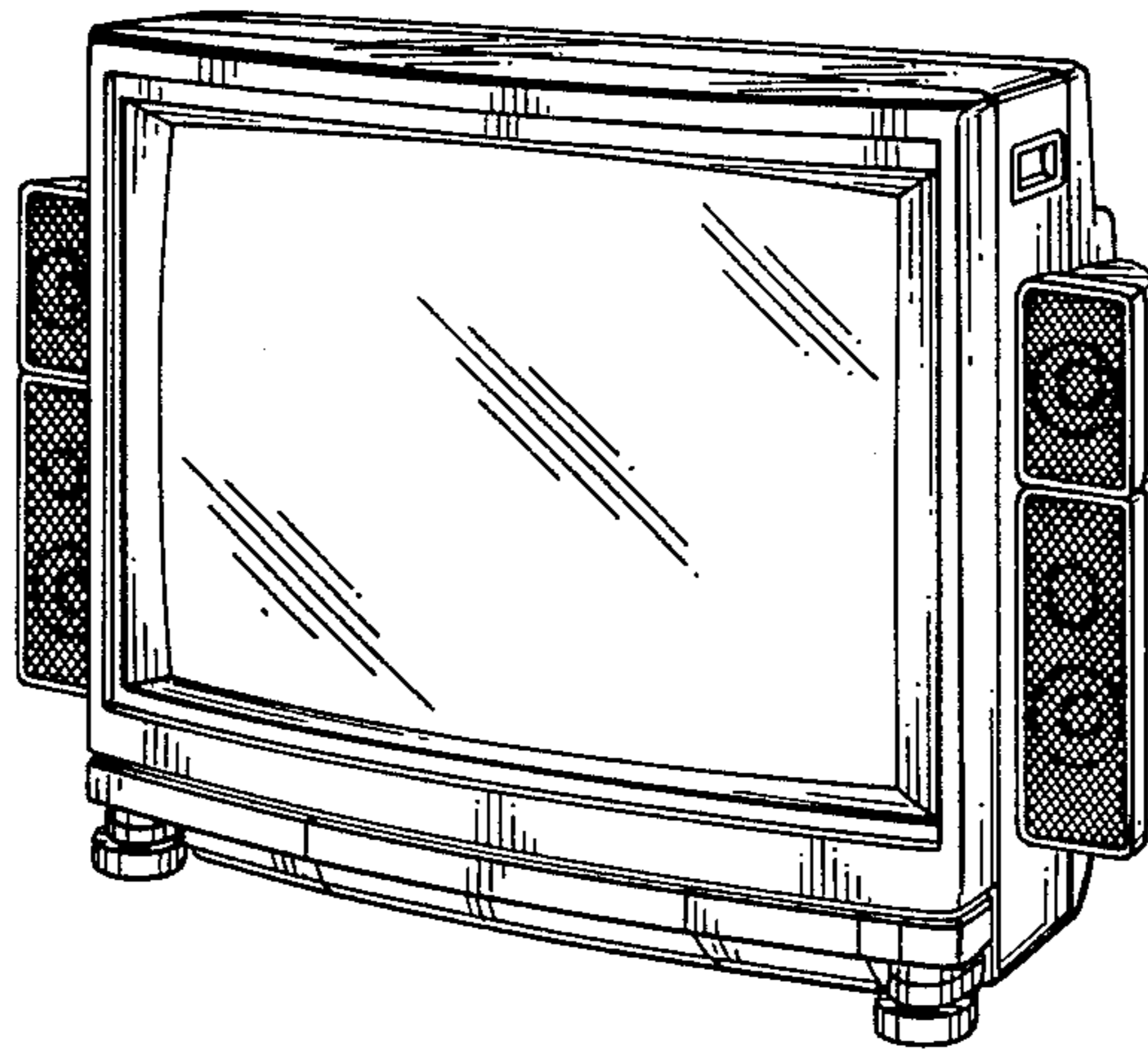


FIG. 2

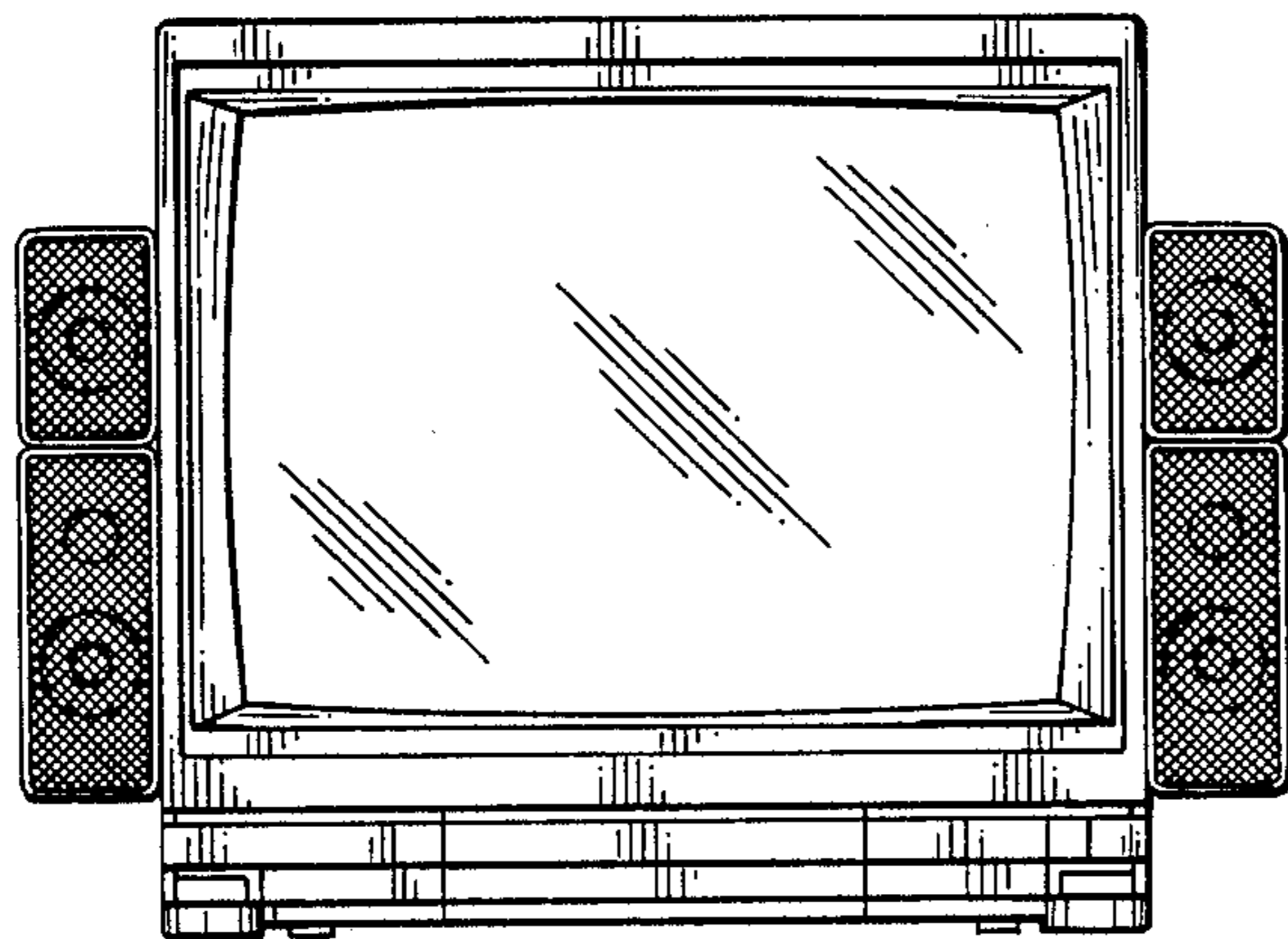


FIG. 3

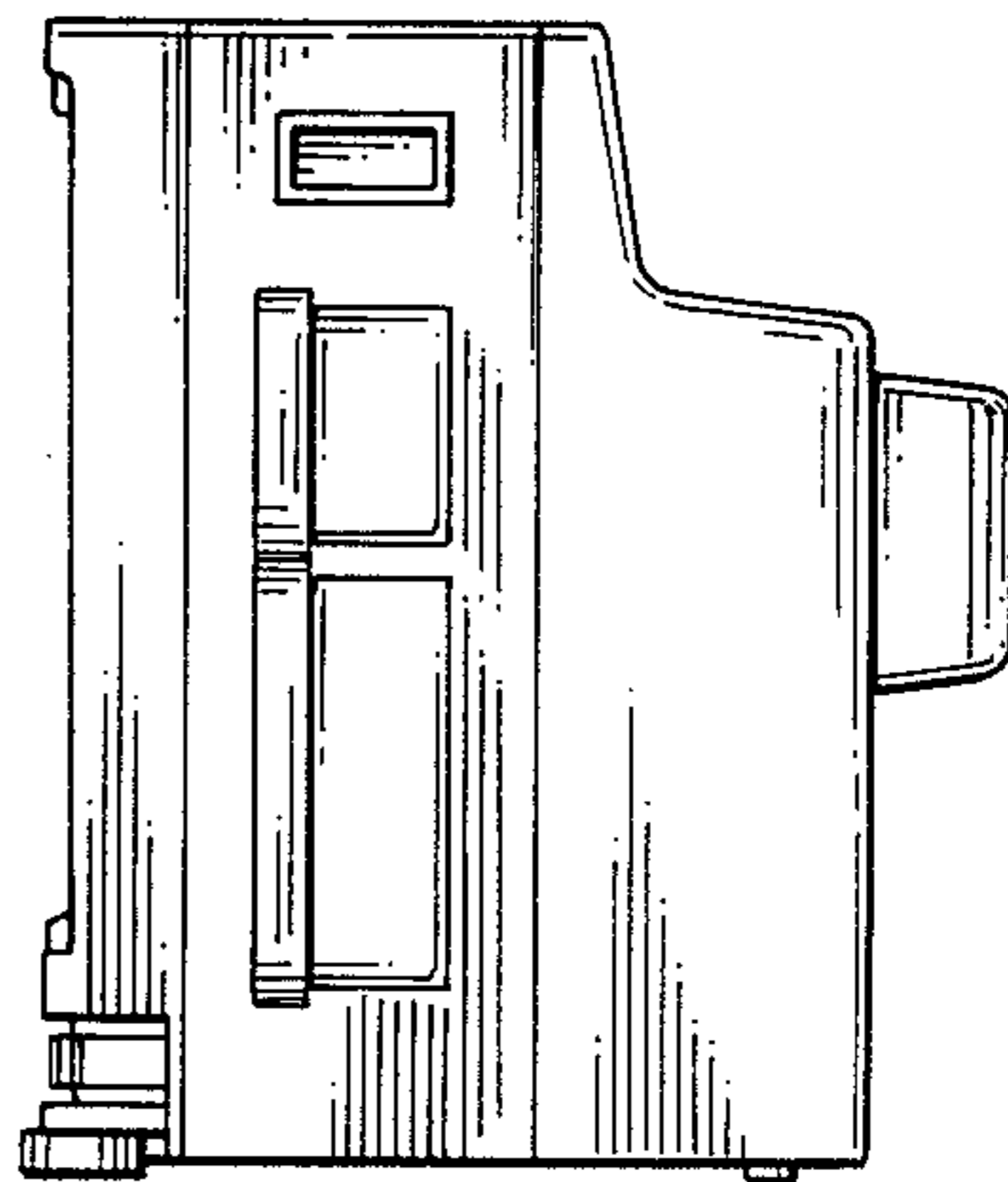


FIG. 4

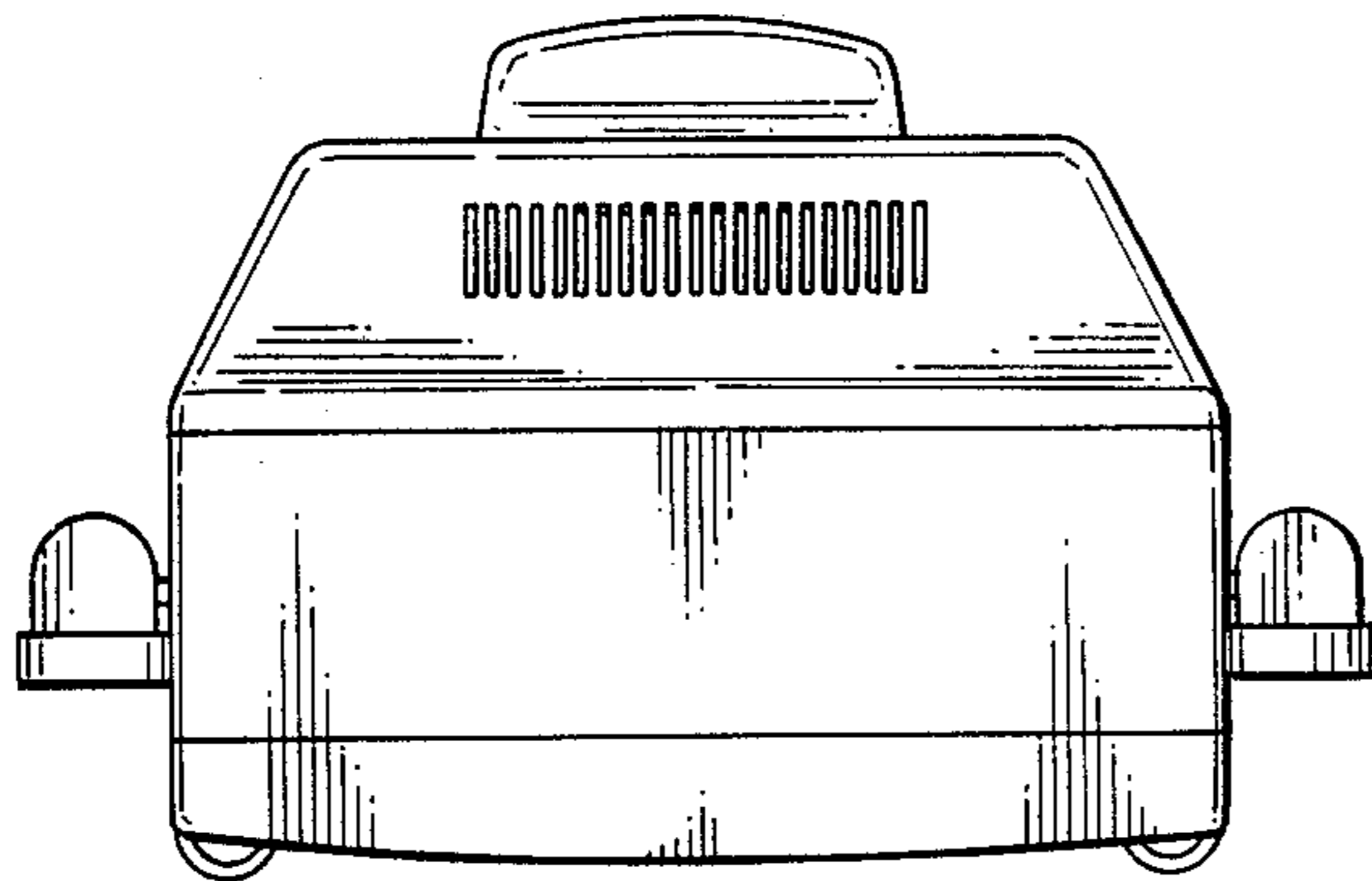


FIG. 5

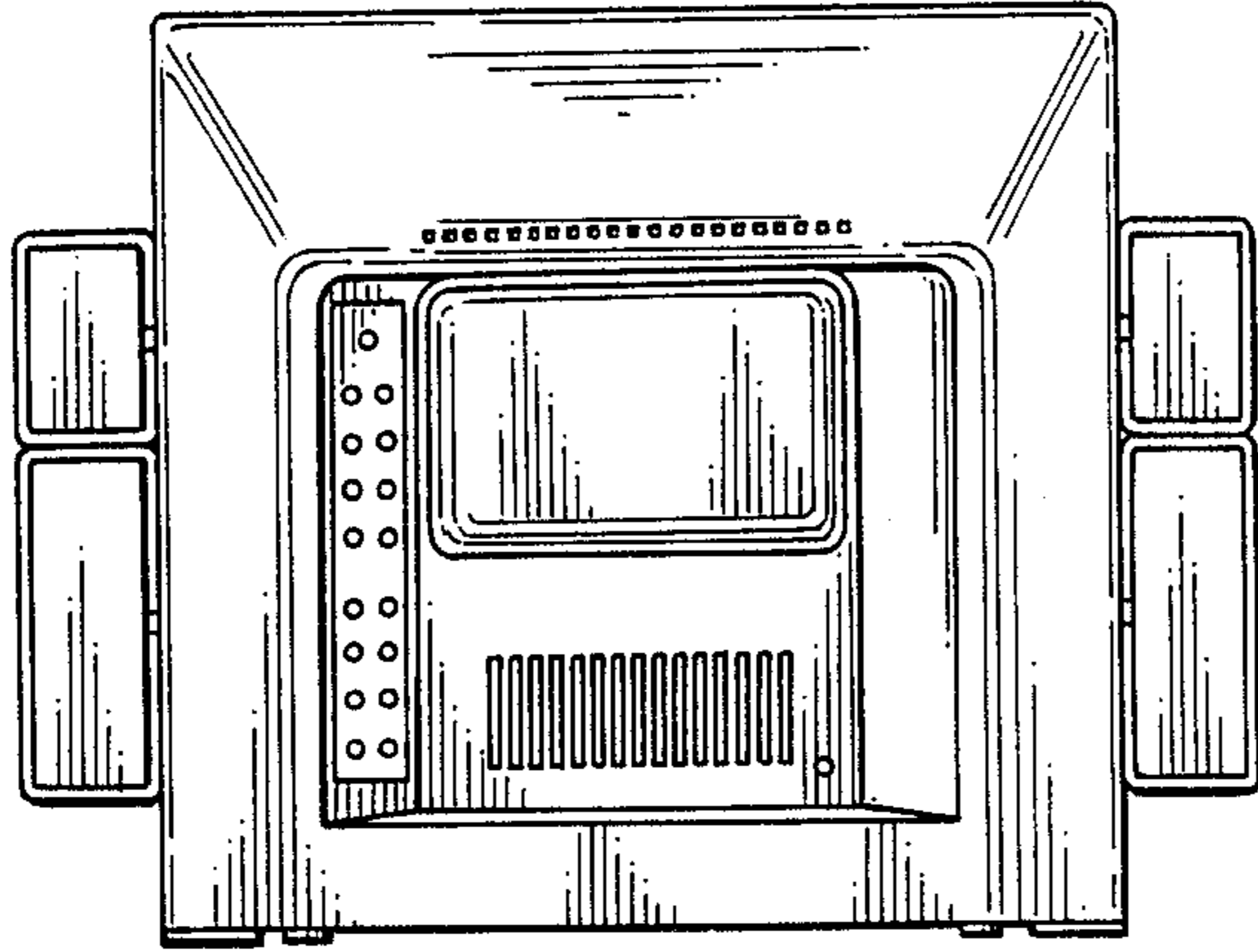


FIG. 6

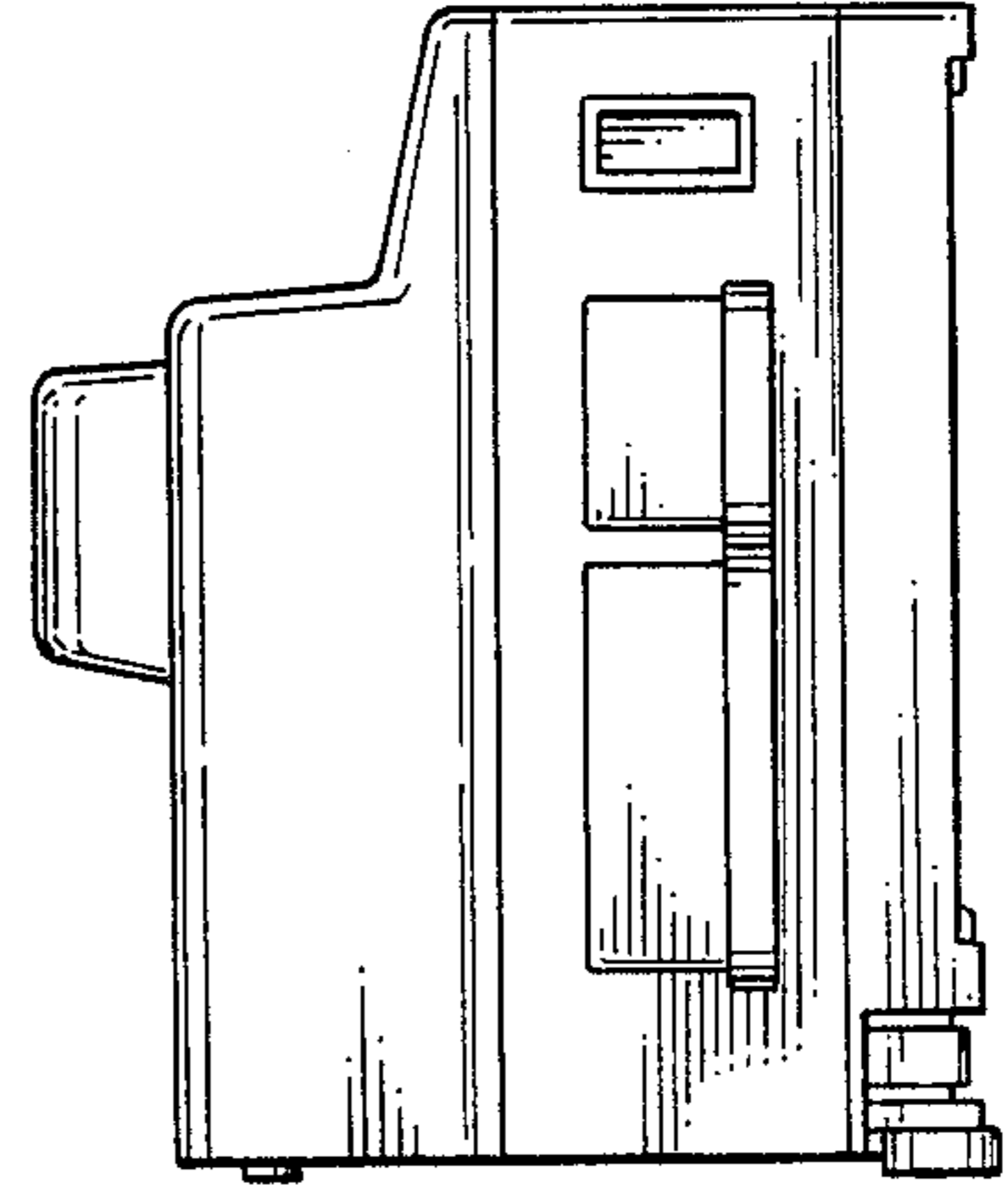


FIG. 7

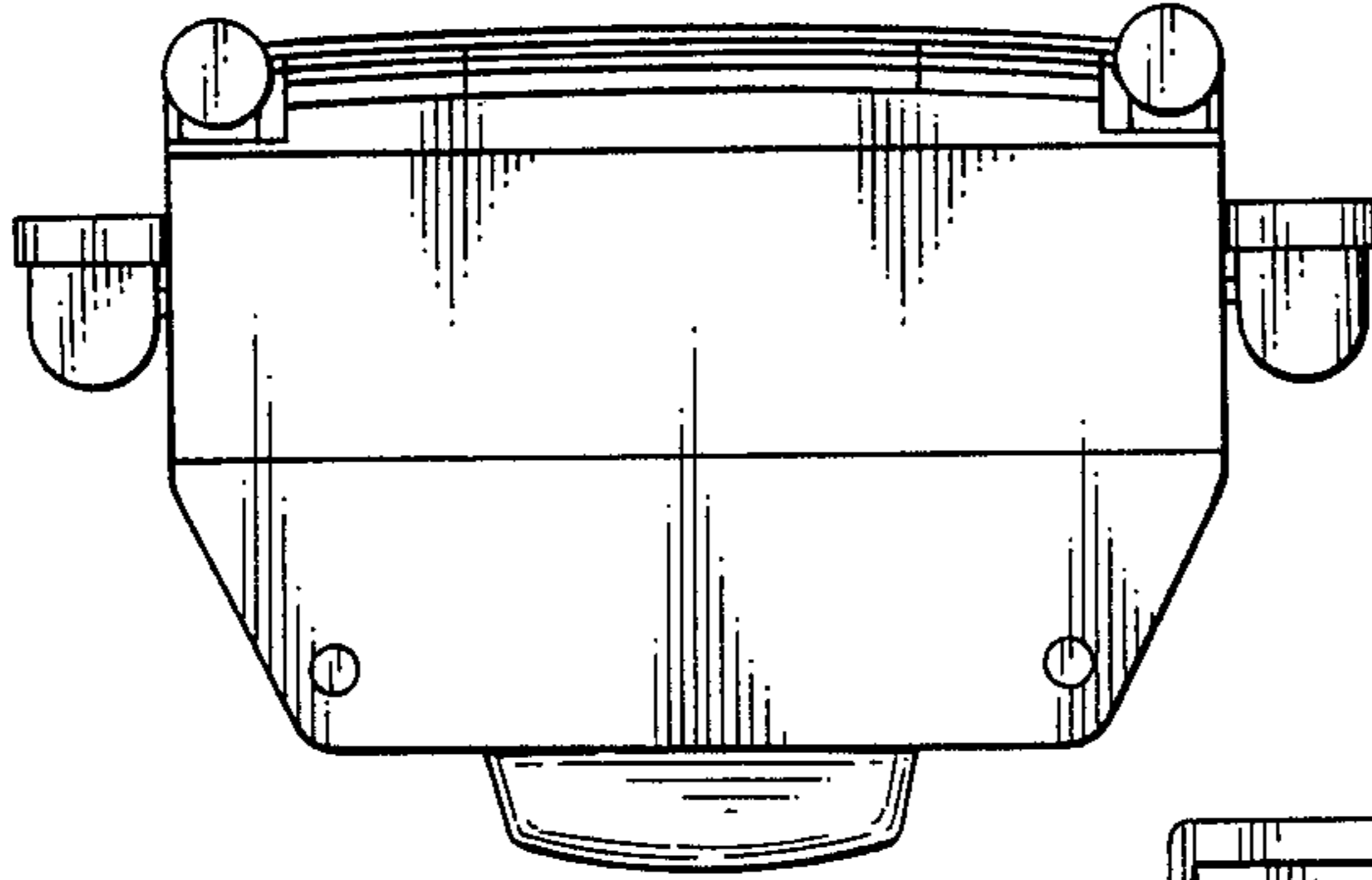


FIG. 8

